

S13/003
toggle
C3220C-23Z



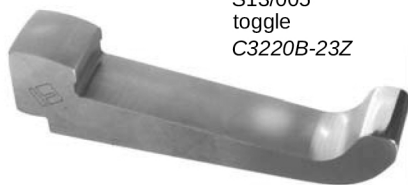
S13/001
sleeve
C3210D-33Z



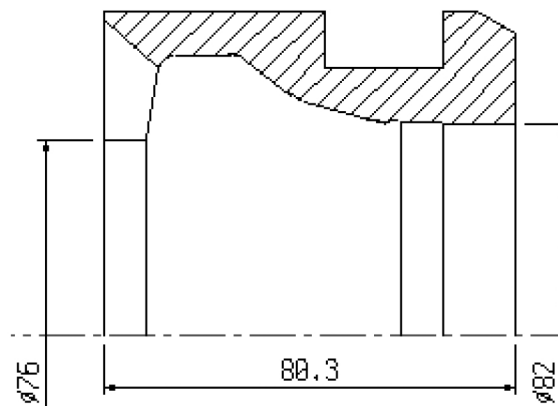
S14/002
sleeve
C3210B-33Z



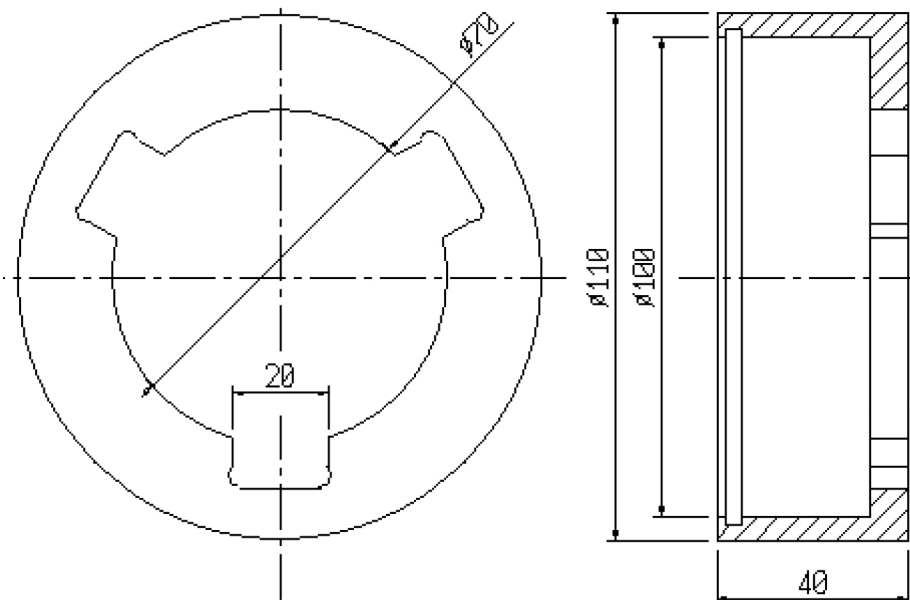
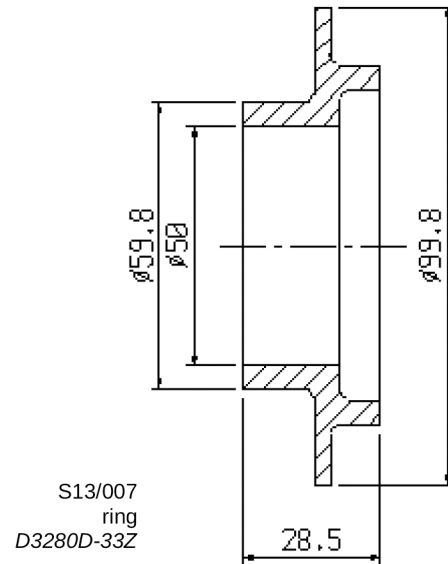
S13/004
toggle
C3220A-23Z

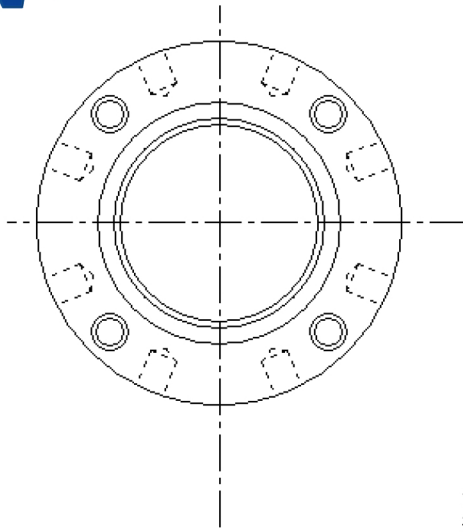


S13/005
toggle
C3220B-23Z

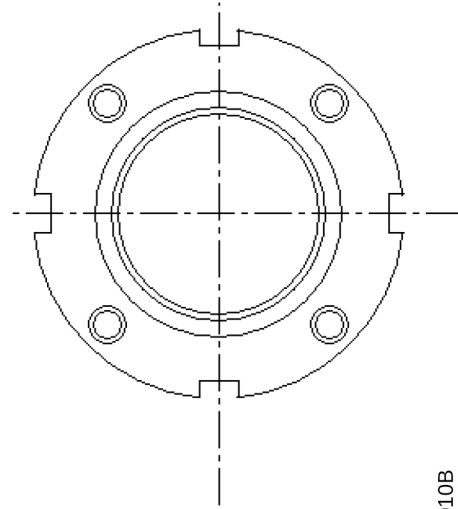
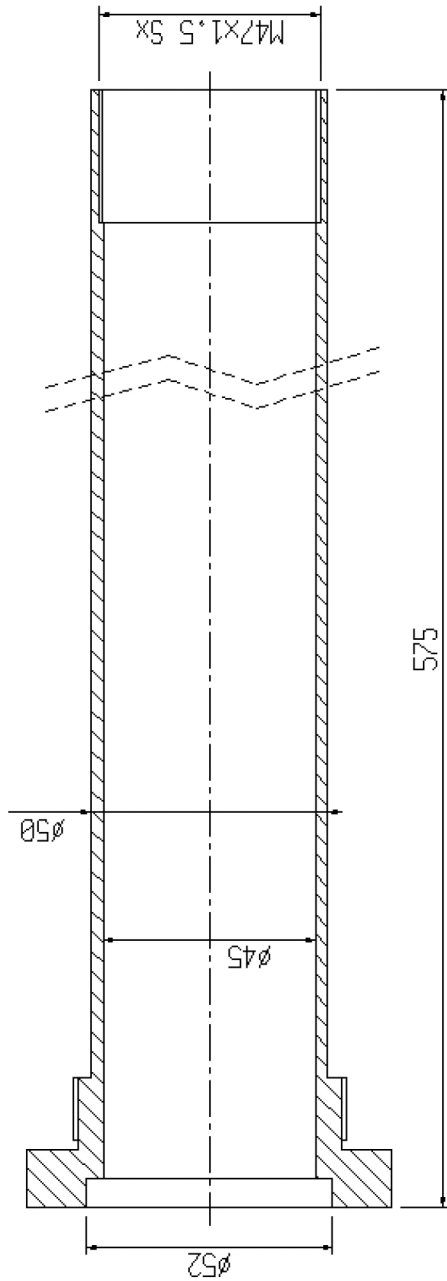


S14/001
sleeve
C3210C-33Z

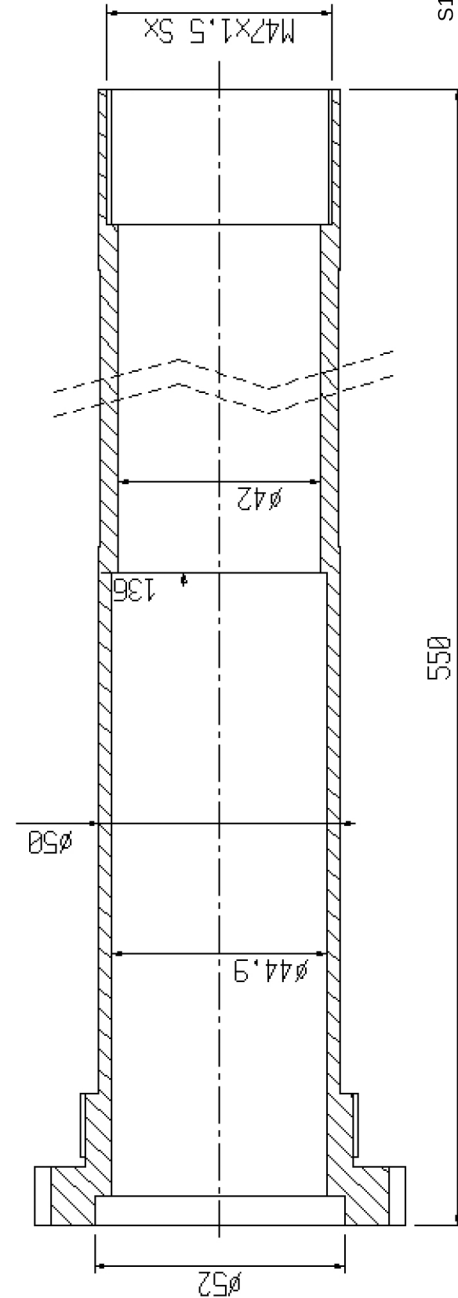


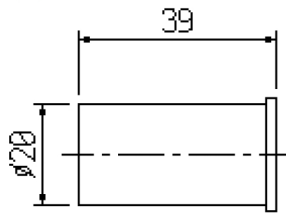


S13/010
collet tube
C3070C-33Z

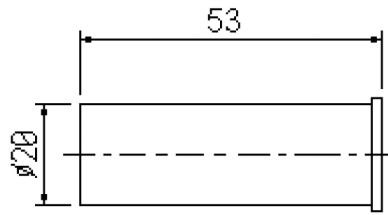


S13/010B
collet tube

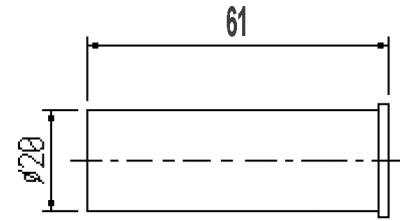




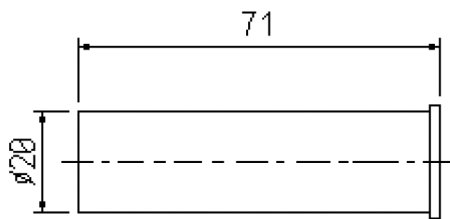
S5/036P Pin



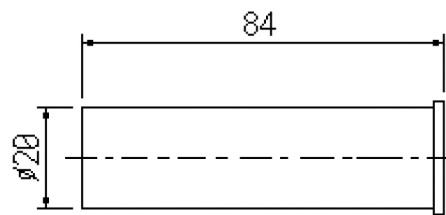
S8/033P Pin



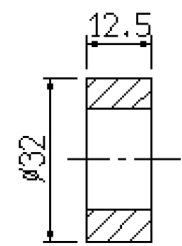
S8/031P Pin



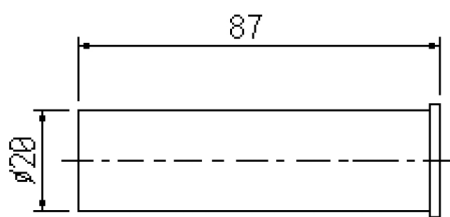
S8/035P Pin



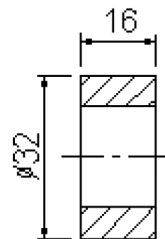
S8/030P Pin



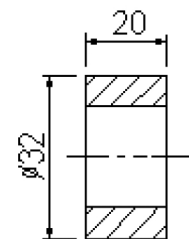
S5/036R Roller



S8/034P Pin



S8/031R Roller



S8/030R Roller



S8/036
C5820A-44M
2.81.15.68.1

Cam screw

S8/060

C5830A-67M
2.24.28.35.1

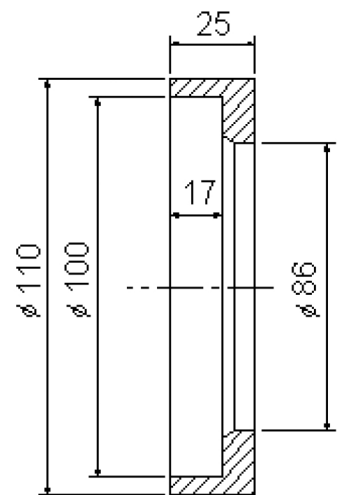
Cam spacer



S8/060B

C5830A-44M

Cam spacer



S13/011
ring
D3260B-33Z



S8/020
linear gear
D61134M
D6110-34M



S8/021
linear gear
D60934S
D6090A-34S



S8/022
sector gear
D549-44S
D5490A-44S



S8/023
sector gear
D5490A-45S



S13/023
sector gear
D5490A-33SZ