

# BACK BAR

## PLAN VIEWS & SPECIFICATIONS



FNB-48BG



FNB-60BG



FNB-72BG

### SOLID DOOR MODEL



### FEATURES

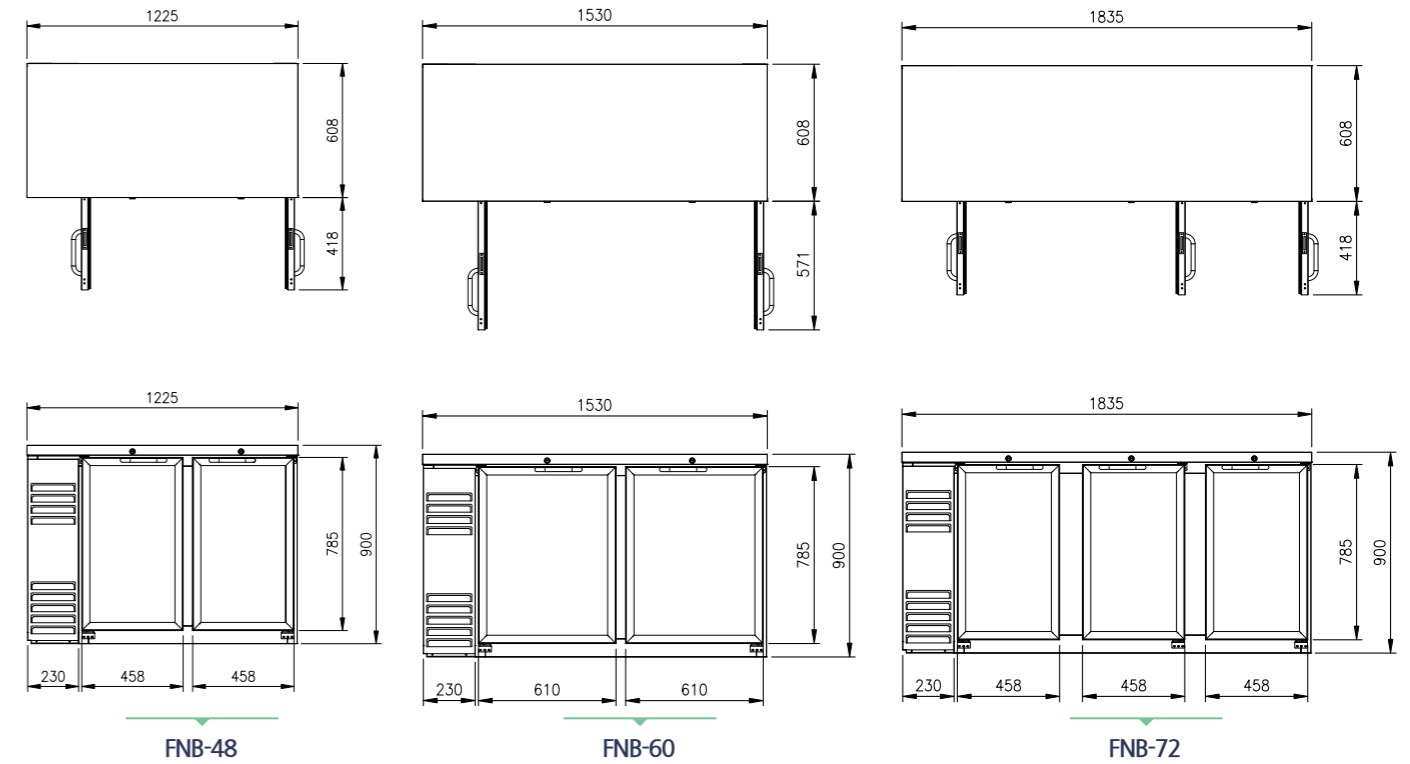
- Magnetic door gasket
- Stainless finished top
- LED lights
- PE coated sturdy wire shelves
- Digital temperature display
- 4" casters
- Accommodates door locks
- Stainless grip handles
- Cabinet space for bottles and cans
- Tempered glass door

### TEMPERATURE

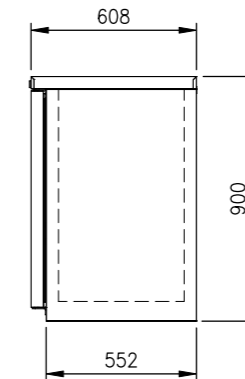
-0°C ~ 5°C

### OPTIONAL MODELS

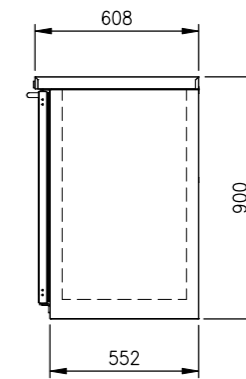
- Solid door model
- Deep depth model
- 3" or 5" Caster model



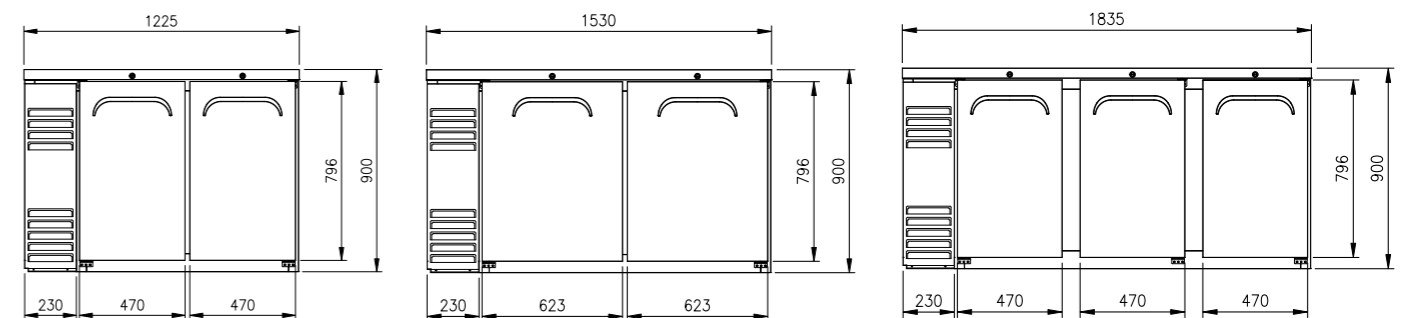
### SOLID DOOR SIDE PLAN



### GLASS DOOR SIDE PLAN



### SOLID DOOR MODEL



The height includes 4" caster (126mm)

Model	Capacity (l)	Exterior Dimension (mm)			Net Weight (kg)	Gross Weight (kg)	Amps	Power Supply	Watt	HP	Refrigerant	No. Door
		W	D	H								
FNB-48BG	328	1,225	608	1,026	90	96	3.4	10A	380	3/8	R134a	2
FNB-60BG	442	1,530	608	1,026	102	111	3.4	10A	380	3/8	R134a	2
FNB-72BG	555	1,835	608	1,026	119	129	3.4	10A	380	3/8	R134a	3