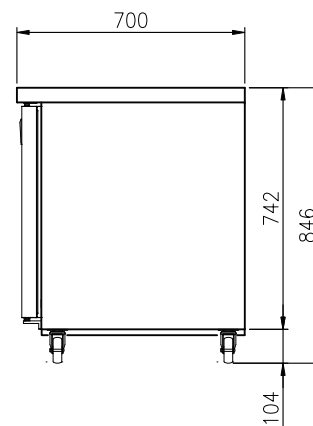
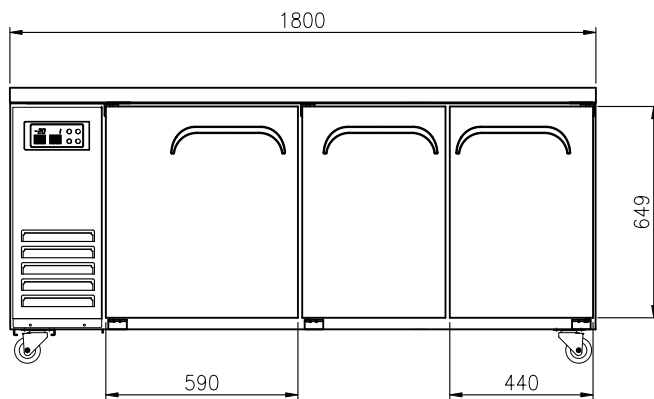
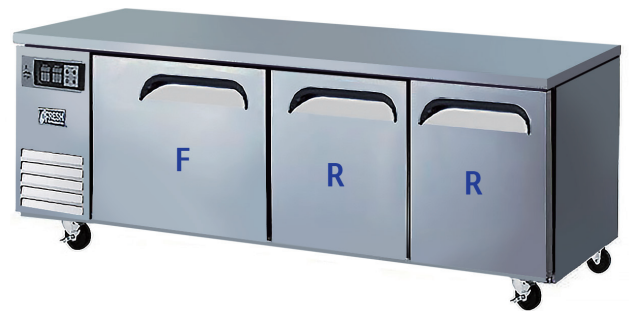
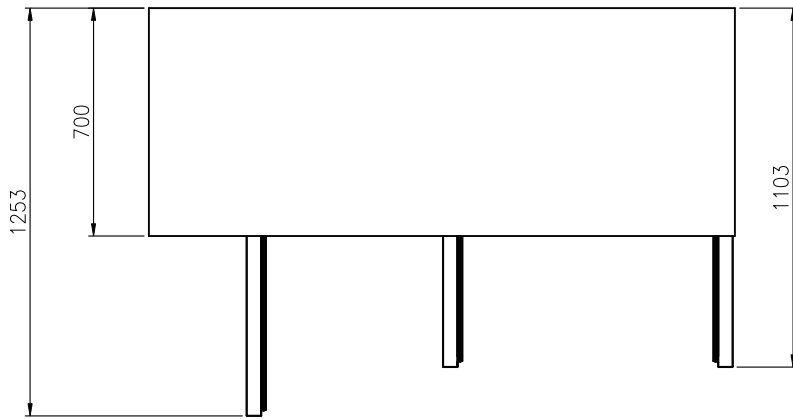


# DUAL TEMPERATURE UNDERBENCH

## FT-1800RF



### FEATURES

- Auto-closing doors & stopper
- Door pressure release device
- Magnetic door gasket
- Extra-large internal capacity
- Front breating
- Digital temperature control & monitor system
- 3" casters (brakes at front)
- Fully stainless steel finished cabinet
- PE coated sturdy wire shelves

### TEMPERATURE

- Fridge: 0°C ~ 5°C
- Freezer: -18°C

### OPTIONAL MODELS

- Leg model
- 4" or 5" casters

Model	Capacity (ℓ)		Exterior Dimension (mm)			Net Weight (kg)	Gross Weight (kg)	Power Supply	Amps	Voltage (V/Hz/Ø)	Watt	HP	Refrigerant	No. Doors
	Ref.	Fre.	W	D	H									
FT-1800RF	241	177	1,800	700	846	108	121	10A	3.0	240/50/1	390(D:620)	3/8	R-134a	3

\* Exterior height includes 4" for caster or leg height.  
 \* Design and specifications subject to change without notice  
 \* Actual shipping weight may differ due to extra packing materials for product protection.