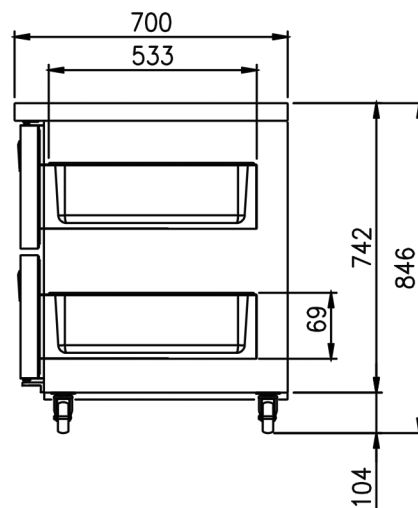
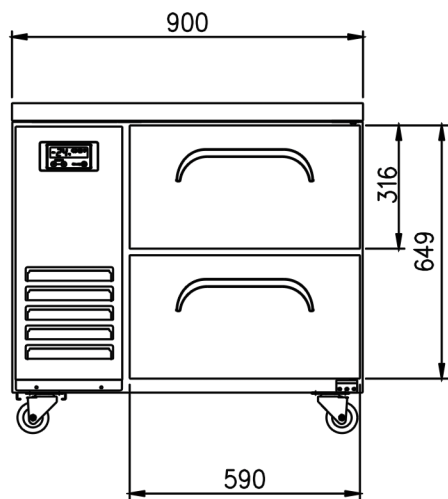
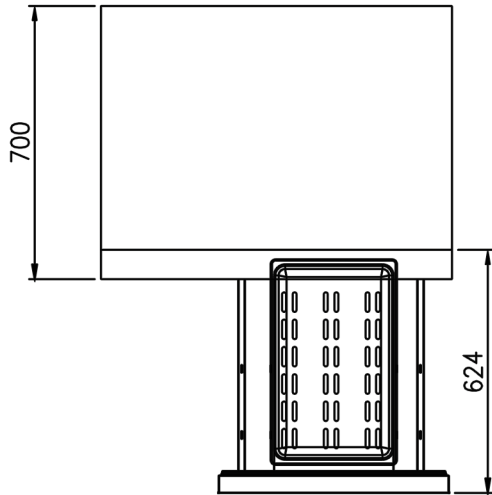


UNDERBENCH DRAWER

FT-900R-D2



FEATURES

- Telescoping drawer slide
- Drawer can hold up to 40kg
- Accommodates full-size pan up to 15cm depth
- Digital temperature control & monitor system
- 3" casters (brakes at front)
- Fully stainless steel finished cabinet

* Food pans are NOT included

TEMPERATURE

- Fridge: 0°C ~ 5°C

OPTIONAL MODELS

- Leg model
- 4" or 5" casters

Model	Capacity (ℓ)	Exterior Dimension (mm)			Net Weight (kg)	Gross Weight (kg)	Power Supply	Amps	Voltage (V/Hz/Ø)	Watt	HP	Refrigerant	No. Drawer
		W	D	H									
FT-900R-D2	186	900	700	846	75	80	10A	2.0	240/50/1	340	1/3	R-134a	2

* The heights include the caster (104mm)

* Design and specifications subject to change without notice

* Actual shipping weight may differ due to extra packing materials for product protection.