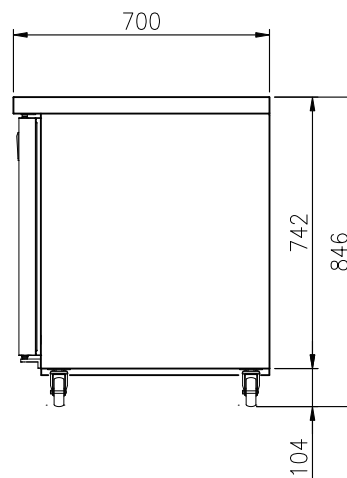
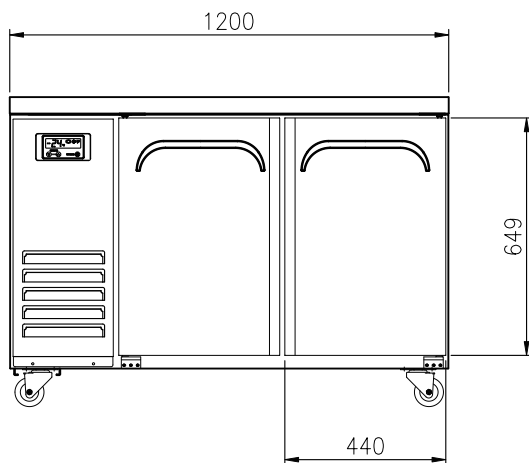
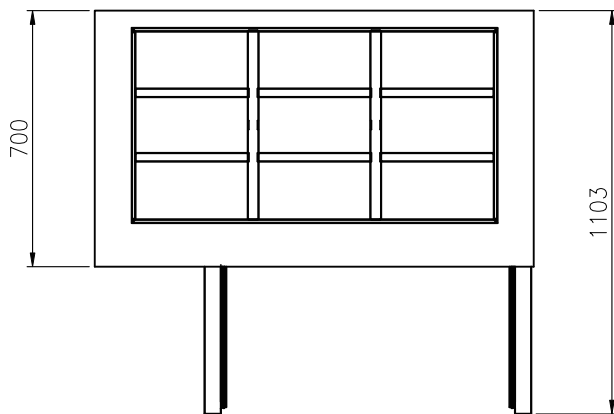


# OPEN AIR SALAD TABLE

## FTTB-1200



### FEATURES

- Auto-closing doors & stopper
- Magnetic door gasket
- Locking dividers
- PVC coated sturdy wire shelves
- Digital temperature control & monitor system
- 3" casters (brake at front)
- Accommodates full-size pan with any depth
- Stainless steel finished top, front, sides and doors
- Food pans and the lides are NOT included

### TEMPERATURE

0°C ~ 5°C

### OPTIONAL MODELS

- Custom-made top
- 4" or 5" casters
- Leg model available

Model	Capacity (l)	Exterior Dimension (mm)			Net Weight (kg)	Gross Weight (kg)	Power Supply	Amps	Voltage (V/Hz/Ø)	Watt	HP	Refrigerant	No. Door	No. Pans (1/3")
		W	D	H										
FTTB-1200R	292	1,200	700	846	76	84	10A	2.0	240/50/1	340	1/3	R-134a	2	9

\* The heights include the 3" caster (104mm)  
 \* Design and specifications subject to change without notice  
 \* Actual shipping weight may differ due to extra packing materials for product protection.