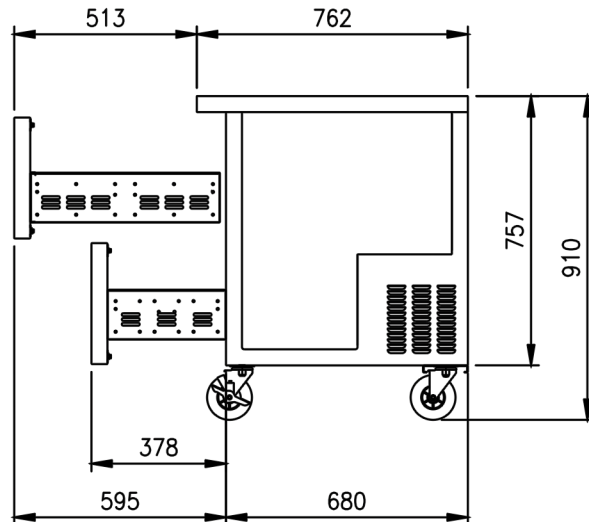
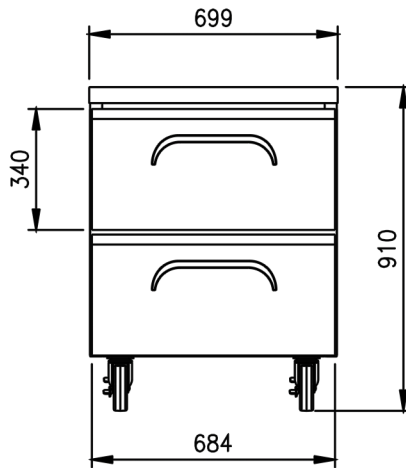
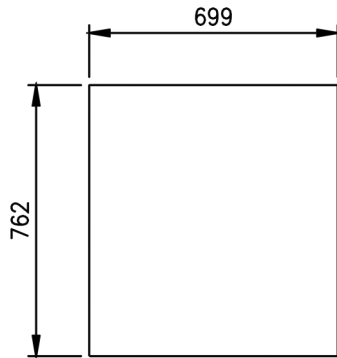


REAR MOUNT UNDERBENCH

FUR-28-D2



FEATURES

- Auto-closing doors & stopper
- Magnetic door gasket
- Locking dividers
- Stainless steel hood lid covers
- Stainless steel finished top, front, sides and doors
- PE coated sturdy wire shelves
- Rear-mount compressor for enhanced air flow
- 5" casters (brakes at front)
- Accommodates 15cm deep pan
- * Food pans are NOT included

TEMPERATURE

- Fridge: 0°C ~ 5°C

OPTIONAL MODELS

- Drawer model
- 3" or 4" casters
- Splash back model (worktop)

Model	Capacity (l)	Exterior Dimension (mm)				Net Weight (kg)	Gross Weight (kg)	PowerSupply	Amps	Voltage (V/Hz/Ø)	Watt	HP	Refrigerant	No. Drawer
		W	D	H	H**									
FUR-28-D2	186	699	762	910	1,010	75	79	10A	2.0	240/50/1	320	1/5	R-134a	2

* Exterior height includes 5" for caster height.

* Design and specifications subject to change without notice

* Actual shipping weight may differ due to extra packing materials for product protection.

** H: Splash back model