

SIDE MOUNT GLASS DOOR UNDERCOUNTER REFRIGERATORS

Side Mounted Condensing Unit



EUG - Series SLIDING & SWING



▲ EUG120-2SL



▲ EUG120-2



▲ EUG150-2SL



▲ EUG150-2



▲ EUG180-2SL



▲ EUG180-3

Cabinet Construction

- Heavy duty stainless steel interior / exterior with rounded corners for a hazard-free workspace.
- 16 gauge, high quality stainless steel worktop.
- Galvanized steel bottom and rear.
- 2.5" thick high density polyurethane insulation.
- Four 5" swivel casters with locks on front set.

Refrigeration System

- Side mounted, self-contained and fully detachable Blizzard R290 condensing unit uses environmentally friendly, EPA-compliant R290 refrigerant with zero (0) Ozone Depletion Potential (ODP) and three (3) Global Warming Potential (GWP). Blizzard R290 is easily replaceable and requires no on-site brazing.
- Electronically commutated (ECM) fan motors achieve rapid cooling with less energy consumption.
- Full-length air duct system ensures optimal circulation of cold air.
- Time-initiated and temperature-terminated auto defrost cycle for seamless operation.
- Large capacity, corrosion-resistant condenser and evaporator coils.
- Self-maintaining, energy-efficient condensate drain pan requires no external drains or electric heaters.
- High performance, auto-reverse condenser fan motor supports compressor ventilation and condenser coil cleaning. Refer to owner's manual for full maintenance instructions.
- Pressure relief devices allow smooth access to cabinet interior when re-opening doors.
- Pre-wired and ready to plug, 240V/50Hz/1Ph, 10amp Australian plug

Lighting

- Energy efficient silicone coated and shatter-proof LED lighting provides bright, high color illumination with low heat output.

Doors

- Low emissivity double glass panes reflect UV rays for efficient cooling.
- Gray PVC door frames.
- Self-closes by weight.
- Removable doors and stainless steel door tracks make cleaning an easy process.

Shelving

- Two epoxy coated, steel wire shelves per section.
- Height adjustable stainless steel clips.

Temperature Control

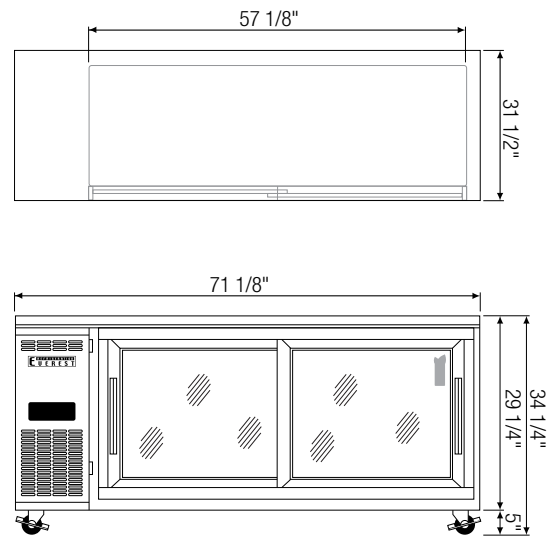
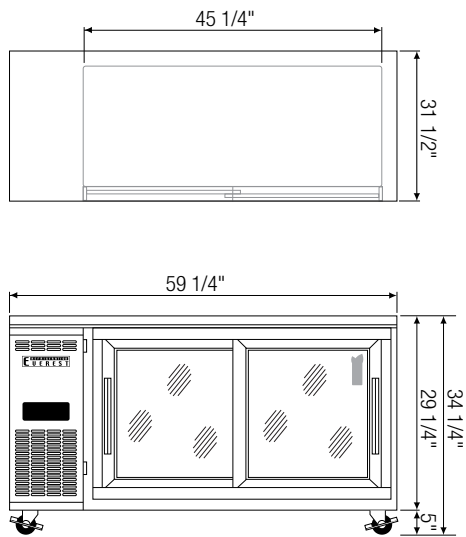
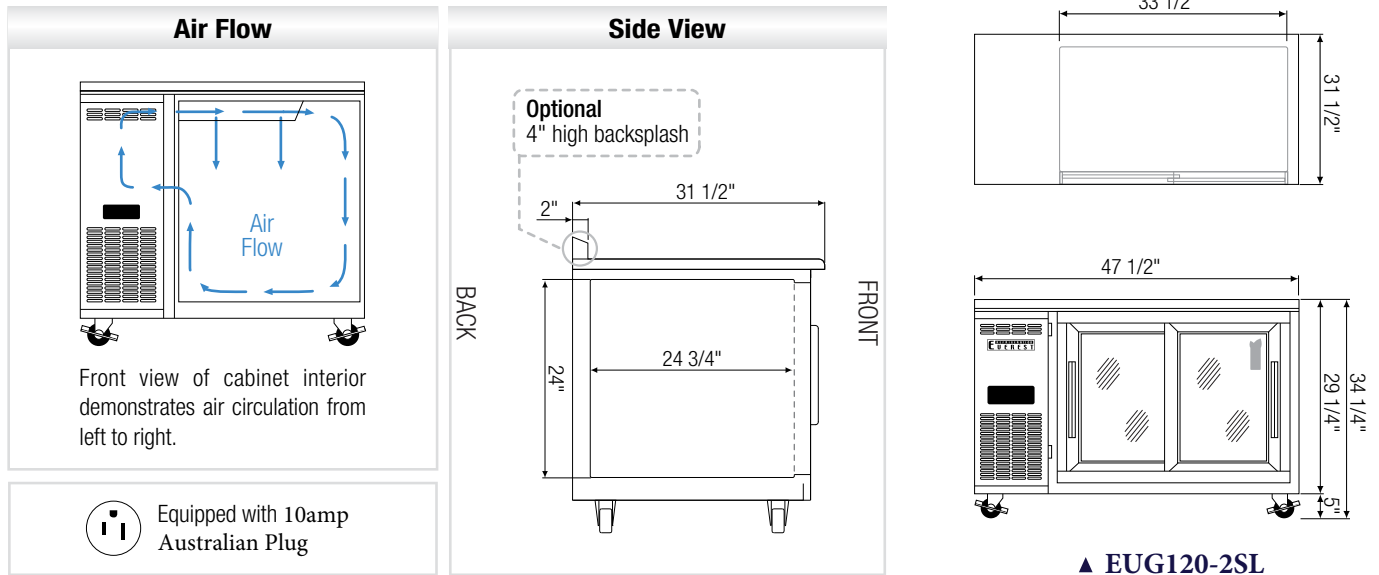
- Multi-function digital controller with easy to read LED display.
- Factory preset temperature, 2°C
- Audible overheat protection alarm for compressor and condenser coil.

Options

- 4" high stainless steel backsplash for worktop application.
- Additional shelving.
- 3" swivel casters with locks.
- 3.5" – 6" height-adjustable and interchangeable legs.



Dimensions



Model	Ref/ Frz/ Dual	# of Doors	Capacity (Litres)	HP	Refrigerant	# of Shelves	BTU/HR [†]	Power (V-Hz-Ph)	Crated Weight (KG)	Exterior Dimensions (Inches)		
										L	D	H*
EUG120-2SL/EUG120-2	Ref	2 (sliding) 2 (swing)	368	1/3	R290	4	2,311	240-50-1	121	1206	700	840
EUG150-2SL/EUG150-2	Ref	2 (sliding) 2 (swing)	509	1/3	R290	4	2,311	240-50-1	139	1506	700	840
EUG180-2SL/EUG180-3	Ref	2 (sliding) 3 (swing)	622	1/3	R290	4	2,311	240-50-1	159	1806	700	840

*: Height does not include 5" for casters.

†: Based on evaporating temperature of 23°F (-5°C) & condensing temperature of 131°F (55°C).

Ref = Refrigerator

Specifications subject to change without notice.

Product dimensions are for general purposes and not absolute value. Product capacity (▶) is calculated based on standard industry figures. Slight variations may exist. If dimensions and capacity are critical, please contact Austune Refrigeration.

Blizzard R290 replacement is at the sole discretion of Everest Refrigeration.



Please visit our website for more information
<http://www.austunecommercial.com/>