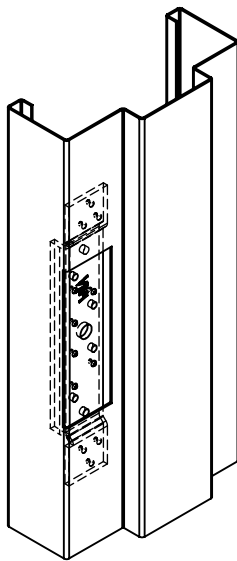


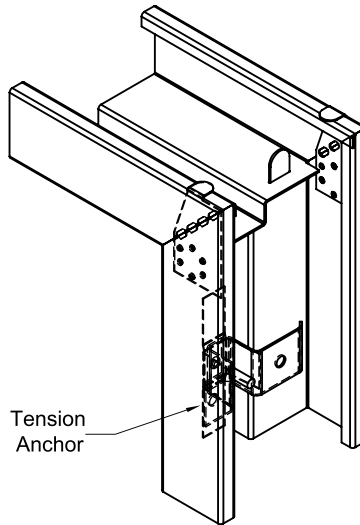
Jamb/ Wall detail.

**PROFILE:**

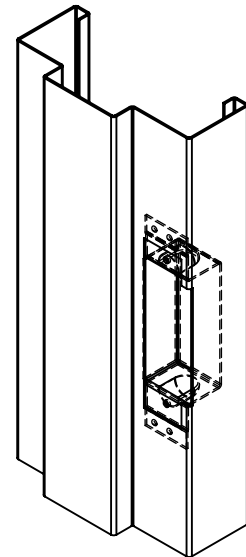
- 18GA, 16GA or 14GA (optional) galvaneal steel.
- Hinge jamb prepared for three (3) 4 1/2" template hinges, 10 gauge regular weight.
- Designed for 1 3/4" doors.
- Strike jamb prepared for standard ASA strike and three (3) 9/32" silencer holes. (Silencers supplied by others)
- Hinge and strike jambs are completed with base and center strap anchors and top adjustable anchors to permit easy anchoring and adjustment of frame.
- Frames over 12 3/4" jamb depth are available without fire rating.



10 Gauge hinge reinforcing



Typical KD (Knocked Down) corner section includes tension anchor.



ANSI 1 1/4" x 4 7/8" Strike Assembly with optional Deadbolt punch out complete with tabs.