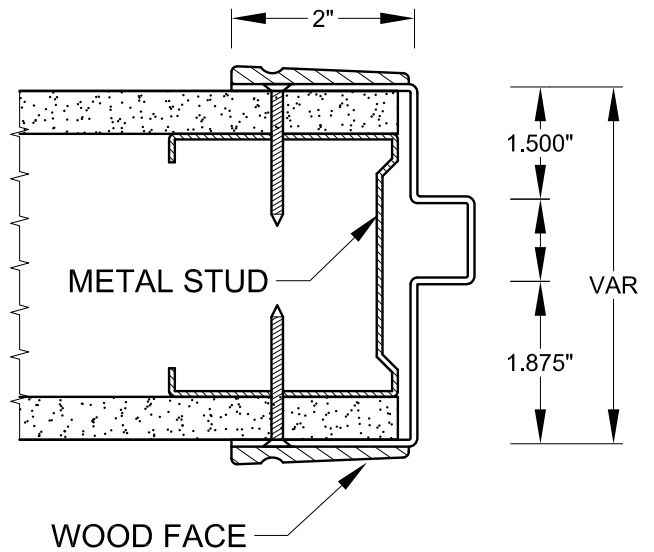
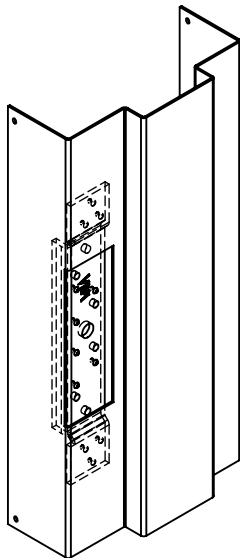


FLUSH FIT SINGLE FRAME

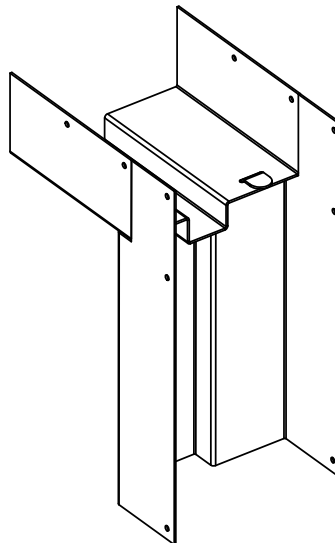


**PROFILE:**

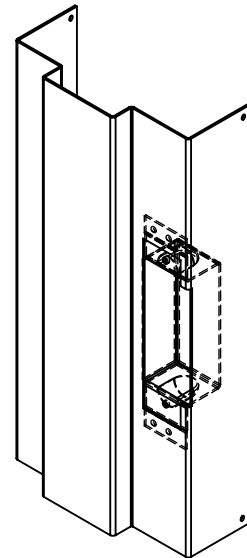
FF Series Frames are the perfect solution for entrances that require the strength of a steel frame with the look of a wood frame. FF Series Frames are manufactured without returns and are designed to sit flush on the wall, allowing for the installation of wood casing over top. These frames are best suited for condominiums, hotels, or offices where durability and design take precedence. FF Series Frames are available in 18 GA and can be fire rated up to 3/4 hours.



10 Gauge high frequency hinge reinforcing

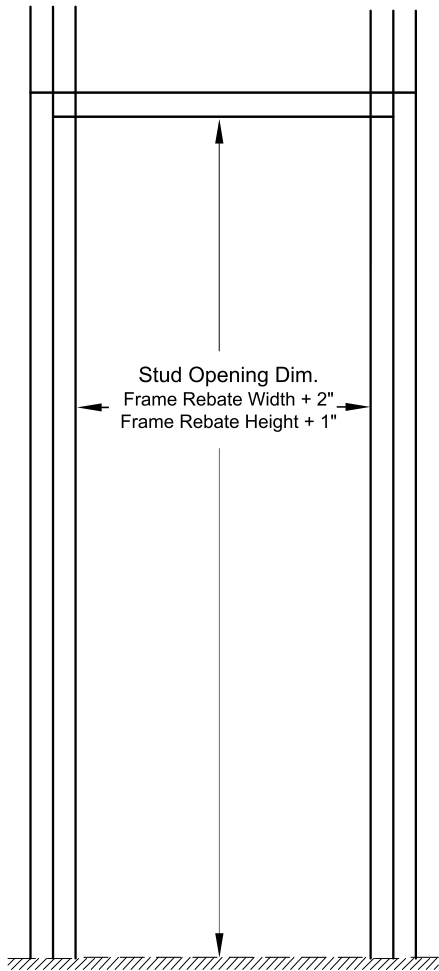


Typical Flush Fit KD (Knocked Down) corner section includes sliding interlocked brackets.

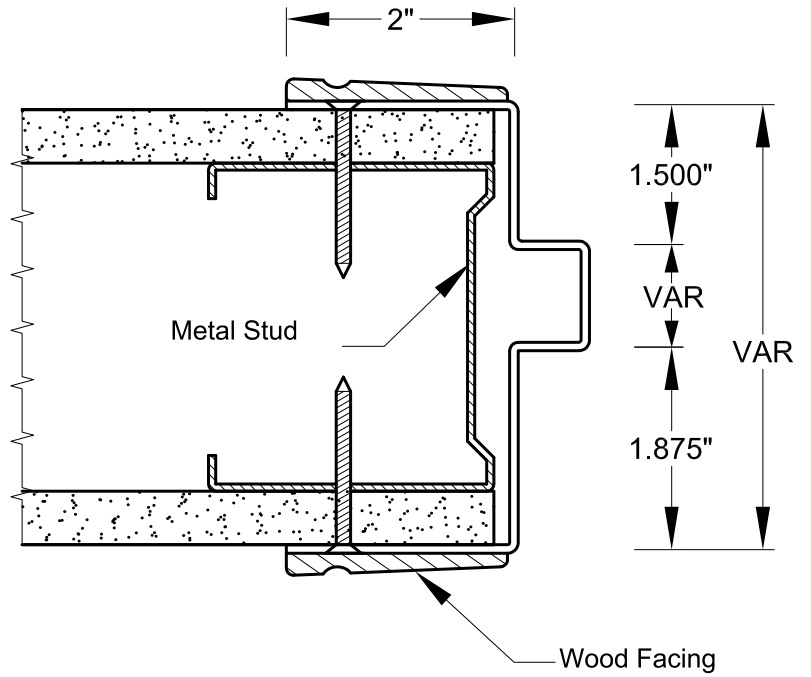


ANSI 1 1/4" x 4 7/8" Strike Assembly with optional Deadbolt punch out complete with tabs.

**ROUGH OPENING FOR DRYWALL INSTALLATION**



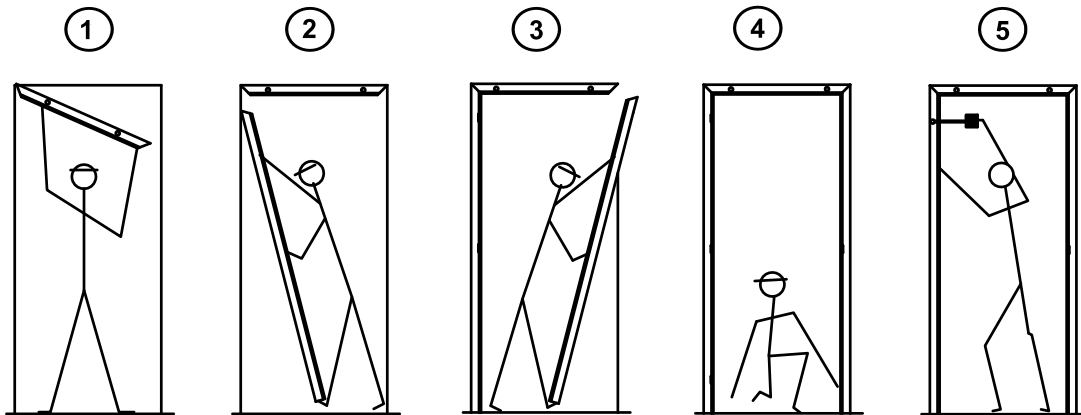
**PROFILE INSTALLATION**



**NOTES:**

Wood facing and drywall screws or nails supplied by others.

**INSTALLATION DETAILS**



Install header.

Install hinge jamb at top, engage corner and slide into position.

Install strike jamb in same manner as hinge jamb.

Adjust frame for proper clearances plumb and level.

Fasten the frame to drywall with 1 1/2" drywall screws or with nails. Then install wood facing on the frame faces.