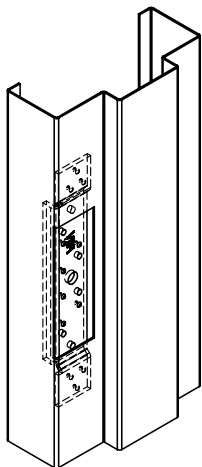
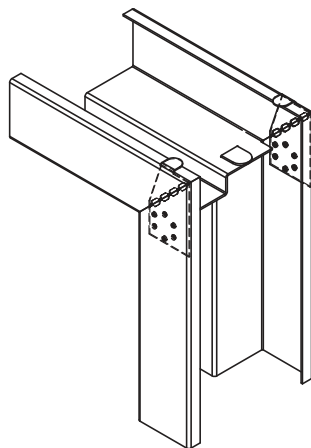


PROFILE:

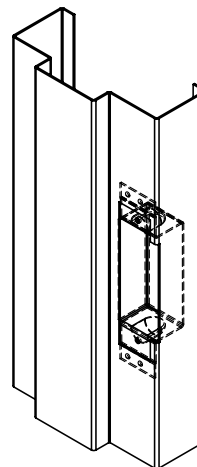
- 18GA, 16GA or 14GA (optional) galvaneal steel.
- Hinge jamb prepared for three (3) 4 1/2" template hinges 10 gauge regular weight.
- Designed for 1 3/4" doors.
- Strike jamb prepared for ASA standard strike and three (3) 9/32" silencer holes. (Silencers supplied by other)
- Hinge and strike jambs are complete with base anchor.
- 6 Masonry wire Anchors required per frame up to 7'6" height or 8 Masonry wire Anchors per frame over 7'6" height.
- Frames over 12 3/4" jamb depth are available without fire rating.



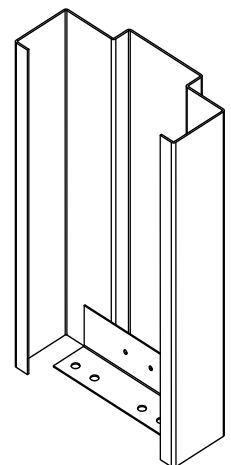
10 Gauge hinge reinforcing



Typical KD (Knocked Down) corner section.



ANSI 1 1/4" x 4 7/8" Strike Assembly with optional Deadbolt punch out complete with tabs.



Masonry Base (Floor) Anchors