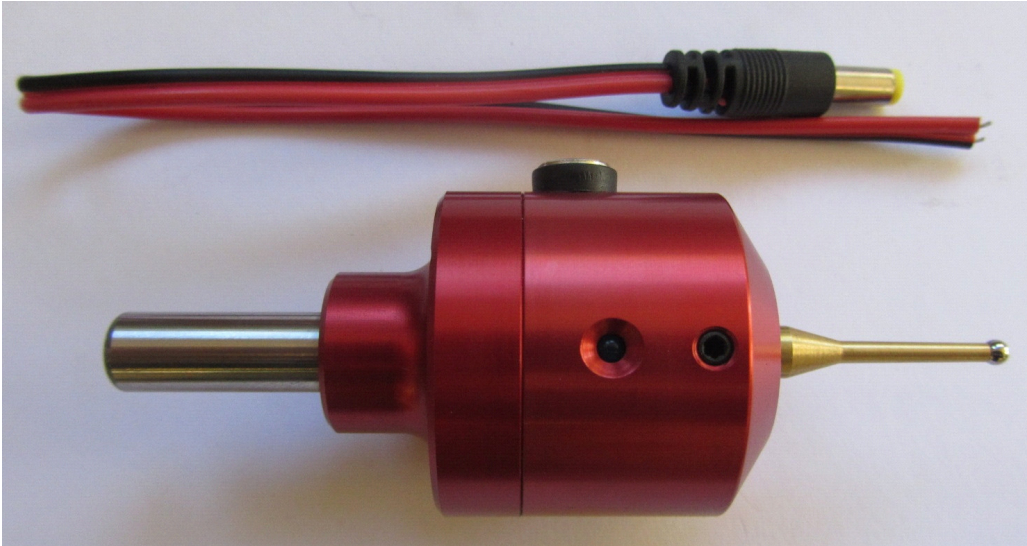


# DREWTRONICS



Thanks for purchasing the S5000LED probe unit.

Points to note:

#1, The 4 set screws on the unit are to facilitate concentricity adjustment. This adjustment will be necessary if your control does not have software probe calibration. This adjustment works like an "ADJ-TRUE" lathe chuck. To move stylus away from you loosen the setcrew on the back, then screw in the one in front, then lightly snug the one in back. Repeat process as needed.

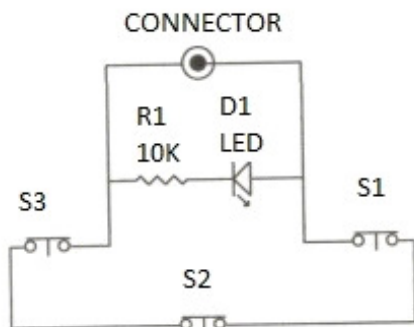
#2, Limit the voltage and current supplied to the probe to between 5-24volts at 5ma. or less in order to keep the contacts from unnecessary wear.

#3, This unit has grease on the switch contacts. This grease is called MASTERPRO NLGI NO2 and keeps oxygen from attacking the contact points.

#4, The RED WIRE goes to control input and the BLACK WIRE goes to ground in order to operate the LED.

#5, Pull the stylus away from probe as you screw/unscrew the stylus to change stylus. This keeps the internal components from rotating as the stylus is rotated. Do NOT over tighten stylus when changing it out for another. Finger tight will do just fine.

Questions? Drop me a note at [kn6za@hotmail.com](mailto:kn6za@hotmail.com)



INTERNAL CONNECTIONS NORMALLY CLOSED