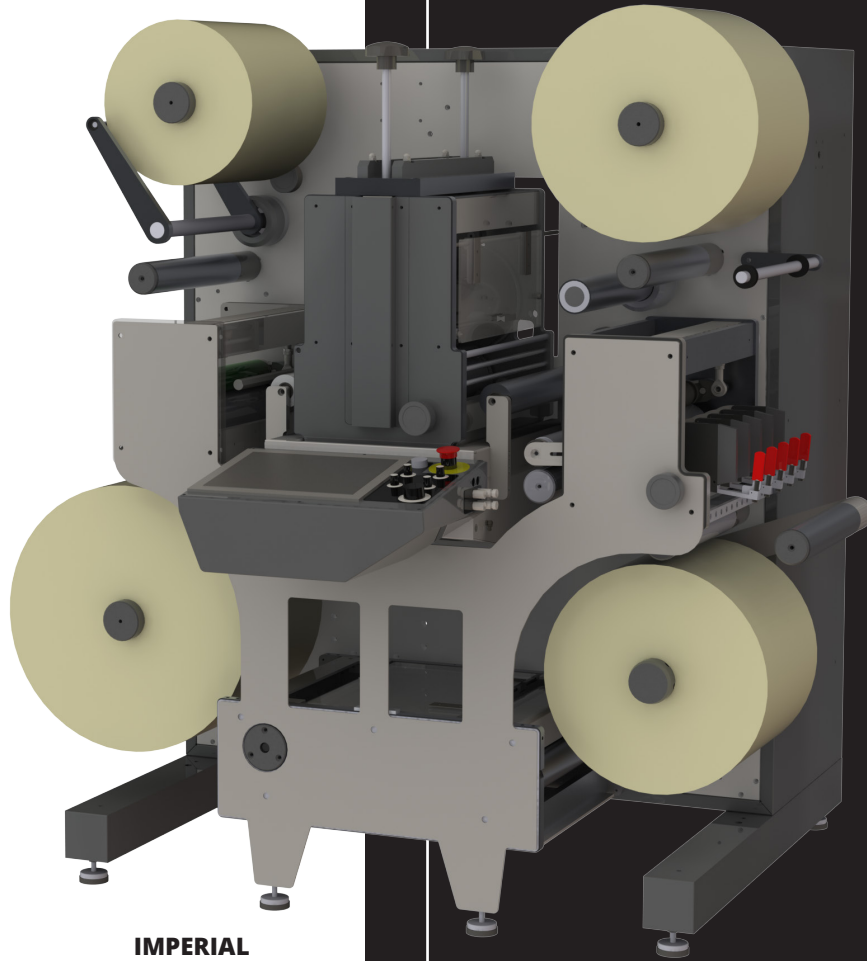




CONVERTING MADE EASY

DC330NANO

Ultra Compact Converting



Grafisk Maskinfabrik A/S
Bregnerødvej 92, 3460 Birkerød, Denmark
Phone +45 4581 2300

Email gm@gm.dk
Web www.gm.dk

SPECIFICATIONS	METRIC	IMPERIAL
----------------	--------	----------

Web width	50 – 330 mm	2 – 13"
Substrate	50 – 200 µm	

DIE STATION

Semi-rotary speed	32 m/min (50*)	105 ft/min (164*)
Full-rotary speed	72 m/min	236 ft/min
Die plate size	50 – 558,8 mm	2 – 22"

REWINDER

Diameter max.	Ø400 mm	15.7"
Core diameter	25 – 152 mm	1 – 6"

UNWINDER

Diameter max.	Ø500 mm	19.7"
Core diameter	76,2 or 152,4 mm	3 or 6"

SLITTING STATION

Knife type	Pneumatic crush.	
Min. distance crush	12,7 mm	0.5"

POWER/AIR

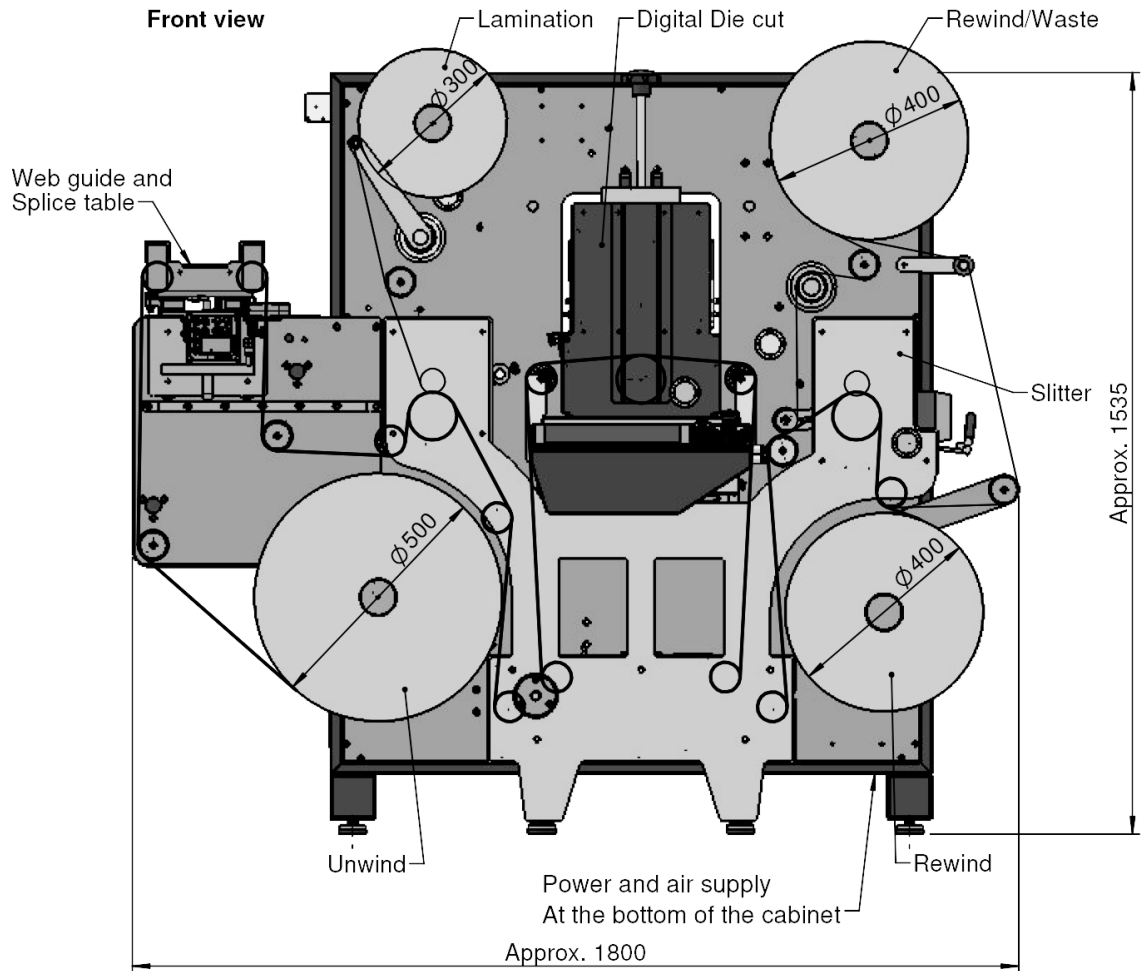
Power / Air	3x400V+N+PE, 32A, 6 bar	
Dimensions (WxDxH)	1,8 x 1,4 x 1,6 m	

* with Productivity Pack

Ultra compact, cost effective unit for lamination, die-cutting and slitting. As digital label printing continues to grow, label-printing houses are realizing the need for all-inclusive digital printing systems that provide value-adding features for producing fully finished labels. The **DC330NANO** offers the ideal solution. The **DC330NANO** offers unwind, self-adhesive lamination, semi-rotary die cutting and length slitting on a compact 1,4 by 1,8 metres platform. The unit is ideal as converter for a small digital press or as a backup to an existing finishing line. The unit can run either offline or inline.

The **DC330NANO** is prepared for integration with market standard MemJet modules like the Trojan T3 module. This turns this small unit into a hybrid digital press.

"Converting made easy"
Specifications and terms are subject to change without notice. Grafisk Maskinfabrik is a registered trademark. All other product and brandnames are trademarks and/or registered trademarks of their respective companies. GM disclaims any and all rights in these marks. Copyright 2017, Grafisk Maskinfabrik A/S For more information, please visit www.gm.dk



Top view

