

Nodus Factory™ - Sail

www.nodusfactory.com

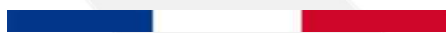


2022

Textile Fittings

Racing and High Sea boating

Créateur de solutions textiles




NODUS FACTORY - Sail


Parc d'Activités de Laroiseau

5, rue Ella Maillart
F – 56000 Vannes

Tél : +33 (0) 2 97 67 64 83
Email : nodus@nodusfactory.com

Other fields of expertise

 **Industry** : www.nodusfactory-industry.com

 **Outdoor** : www.nodusfactory-outdoor.com

How to order Nodus Factory products ?

Private user : you will find out a large majority of our product ranges in the nearest shichandler (list on our website, section « shops »)

Or

Order directly online, on our website : <http://www.nodusfactory.com/>

Professional of the nautical industry : to take advantage of our expertise and our professional pricelist, feel free to go on our website and fulfill our *new professional account form*

Or

Contact us by e-mail : nodus@nodusfactory.com

Follow us on



BUREAU
VERITAS

VERITAS approved products

Rapport n° LFT 190730 REV 1

MADE IN FRANCE



Innovate your rigging, Node your Ropes!

Nodus Factory « local distribution channel and proximity » !

Build our future, to face this unprecedented context.

Our Nodusfactory-Sail 2021 catalogue is designed for an interactive use and will drive your choices.

Link: www.calameo-Nodusfactory-sail

Our online-shop, Nodusfactory-Store is offering you the Nodus products for sale, but also additional products from our business partners, for which we developed textile solutions in Dyneema Nodex®. A technical call center is also available.

Link: www.nodusfactory.com

In Europe, our distributors are taking advantage of the expertise of the Nodusfactory-Sail team, our communication mediums and our customized recommendations, to ensure we provide you the best customer service.

Link: <https://www.nauticexpo.fr/prod/nodus-factory-66050.html>

Worldwide, we are creating local collecting points in order to provide you fast and satisfy your needs.

Link: <https://www.nauticexpo.fr/prod/nodus-factory-66050.html>

Our team's main purpose is and will always be to provide you with efficient, secured and reliable textile solutions.

Developed and manufactured in France, our innovations are tested and certified by the Bureau Veritas.

Thank you for the trust you placed in us,
Fair winds and following seas !

www.nodusfactory.com



Heavy load ring



Product Name	Distortion load	Weight	Dimensions			Running rigging (eve)	Standing rigging (sheave)
Diam			mm			Diam. max	Diam. max
Eye/sheave	Tons	gr	A	B	D	mm	mm
FrA 28 / 20	14	170	20	28	85	22	12
FrA 38 / 28	30	318	28	38	105	32	16
FrA 45 / 33	45	414	33	45	130	36	20



Ring FrA®

The rings FrA® Heave Load Nodus Factory are reliable and very strong. Easy, fast and very simple to install, our FrA rings will meet your expectations!

They can be used in many applications with any type of rope and for both dynamic and static use.

Use

- Friction ring for downhaul stunts, gennaker tacking, jib sheeting, backstays, reefing points and any small deviation angle, etc...
- Ideal for « Big-Boat » watercraft
- Excellent breaking and tensile strength.
- Friction rings for all types of ropes.

Advantages

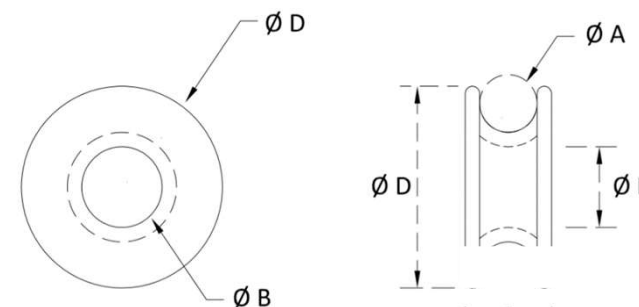
- Easy and quick installation.
- Reliable and maintenance-free
- Lighter than a pulley with equivalent resistance
- Excellent abrasion resistance
- Highly UV resistant
- Corrosion free

Technical specifications

- FrA : ▻ Anodized aluminum ring ▻ back

Nodus & Tips

- Ideal for « Big-Boat » watercraft
- Fits certain sizes of NODUS FACTORY textile loops and shackles perfectly, **do not hesitate to contact us for more information.**



Heavy load hook



www.nodusfactory.com



www.nodusfactory.com

Product Name	Distortion load	Weight	Dimensions			Running rigging (eye)	Standing rigging (sheave)
			mm			Diam. max	Diam. max
	Tonnes	gr	A	B	D	mm	mm
HK 16	6	132	20	28	85	16	14
HK 22	8,5	182	24	35	105	22	20
HK 32	12,5	264	28	38	110	32	28



www.nodusfactory.com



www.nodusfactory-industry.com



www.nodusfactory.com

Opening ring HK®

The heavy load open rings are reliable and very resistant. Easy, fast and very simple to install thanks to their opening, our HK rings will perfectly meet your expectations!

They can be used in many applications with any type of rope and for both dynamic and static use.

Use

- Friction ring for downhaul stunts, gennaker tacking, jib sheeting, lazy jacks, backstays, reefing points and any small deviation angle, etc...
- Ideal for « Big-Boat » watercraft
- Excellent breaking and tensile strength.
- Open friction rings for all types of ropes.

Advantages

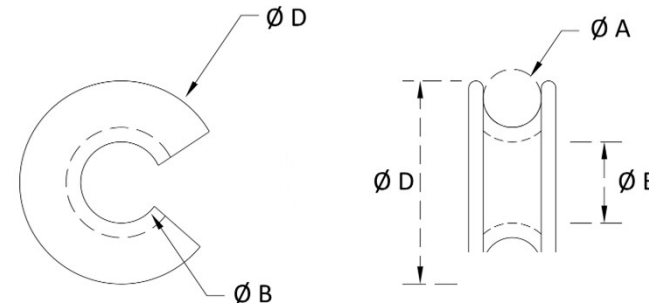
- Easy and quick installation.
- Reliable and maintenance-free
- Lighter than a pulley with equivalent resistance
- Excellent abrasion resistance
- Highly UV resistant
- Corrosion Free

Technical specifications

- HK : Anodized aluminum open ring - black

Nodus & Astuce

- Ideal for « Big-Boat » watercraft
- Fits certain sizes of NODUS FACTORY textile loops and shackles perfectly, **do not hesitate to contact us for more information.**



Friction pulley NUB® 60



www.nodusfactory.com



www.nodusfactory.com

Product Name	Breaking Load	Weight	Ø NUB	Ø recommended rope
	Tons	gr	mm	mm
NUB® 60	35	134	56	Max 16

Nodus-NUB® 60 – Multi-use friction pulley

Nodus-Nub® 60 is a multi-axial spherical pulley that resists very high loads.

- Can be used in many applications and on all types of ropes

Use

- ❑ Ideal for reeving, stunt hoisting (backstay, downhaul, backstay), corner return, or even as a cap-de-mons on standing rigging (shrouds, under shroud).
- ❑ Easily installed anywhere on the deck, chainplate, fargue rail, mast foot...thanks to our textile connectors

Avantages

- ❑ Excellent weight/resistance ratio
- ❑ Highly resistant to impact and UV
- ❑ Low friction coefficient
- ❑ Lighter than a pulley with equivalent resistance
- ❑ Reliable and maintenance-free

Technical specifications

- ❑ Nodus-Nub 60 : **Technical anodized aluminum** → black

Nodus & Astuce

- Ideal for « Big-Boat » watercraft
- Fits certain sizes of NODUS FACTORY textile loops and shackles perfectly, **do not hesitate to contact us for more information.**



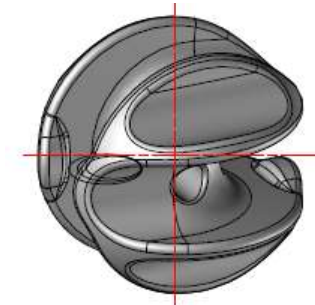
www.nodusfactory.com



www.nodusfactory.com



www.nodusfactory.com



www.nodusfactory.com

Heavy load T-Bones



T-Bones T-BA®

The Nodus Factory T-Bones have been developed to achieve an optimal strength to weight ratio!

The Nodus Factory heavy load T-Bones are reliable and very resistant. Easy, fast and very simple to use, our T-Bones will perfectly meet your expectations in terms of textile fasteners!

They can be used in many applications and on all types of ropes.

Use

- Create your own textile shackles
- Excellent breaking and tensile strength.
- Open friction rings for all types of ropes.

Avantages

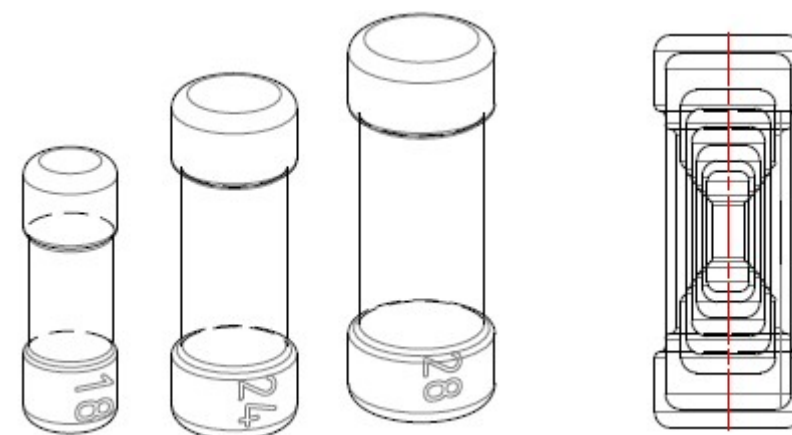
- Easy and quick installation.
- Reliable and maintenance-free
- Very light
- Excellent abrasion resistance
- Highly UV resistant
- Corrosion free

Technical specifications

- T-BA : Anodized Aluminum T-Bone

Désignation article	Poids	Longueur	Diamètre	Diamètre utile	Cordage conseillé	Charge de rupture
	gr	Mm	Mm	Mm	Mm	Tonnes
T-BA 8	2	23	8	6	3	4
T-BA 10	4	27	10	8	4	6,3
T-BA 12	8	33	12	10	5	8,6
T-BA 14	14	40	14	12	6	9,3
T-BA 16	22	47	16	14	7	14
T-BA 18	28	54	18	16	10	13* / 19
T-BA 24	35	68	24	20	12	20* / 33
T-BA 28	42	75	28	24	14	26* / 59

* Rope breaking load.



NØDUS

FACTORY

Parc d'Activités de Laroiseau • 5 rue Ella Maillart • F- 56000 Vannes
Tél : +33 (0)2 97 67 64 83 • Mail : nodus@nodusfactory.com
www.nodusfactory.com