

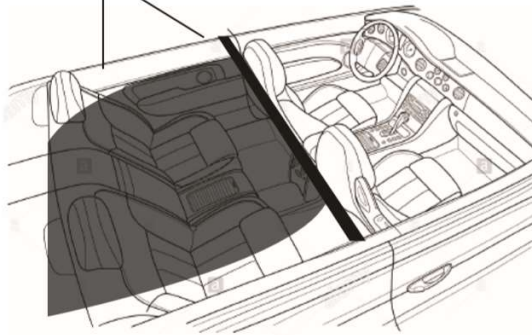
Car Hammock XL Setup Instructions (SUV)

- Park your car in a safe location
- Open all the doors and pop the trunk
- Recline the front seats as far back as possible
- Fold the rear seats down



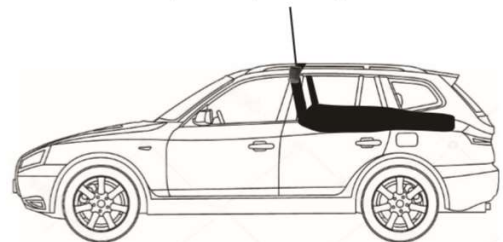
Step 1 - Layout the hammock in the rear of the vehicle. The wider edge goes in the front.

Wider edge goes in front



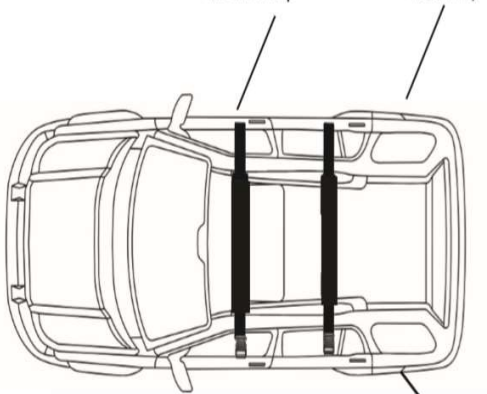
Step 2 - Run the front strap out the passenger side door, over the car, and connect it to the buckle on the other side. Adjust strap till taught.

Adjust strap till taught



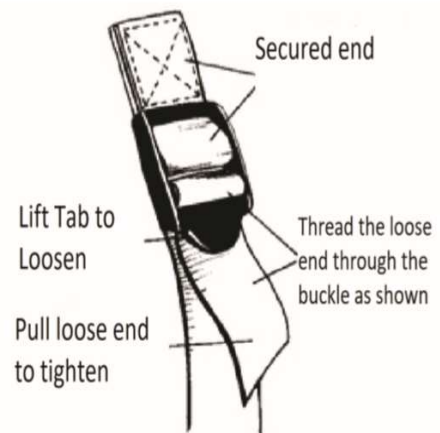
Step 3 (Optional): Throw the roof strap over the top of the car, thread the loose end through the buckle and do not tighten. **This strap is for minor, secondary support only. Over tightening will cause failure during use.**

Front strap Roof strap

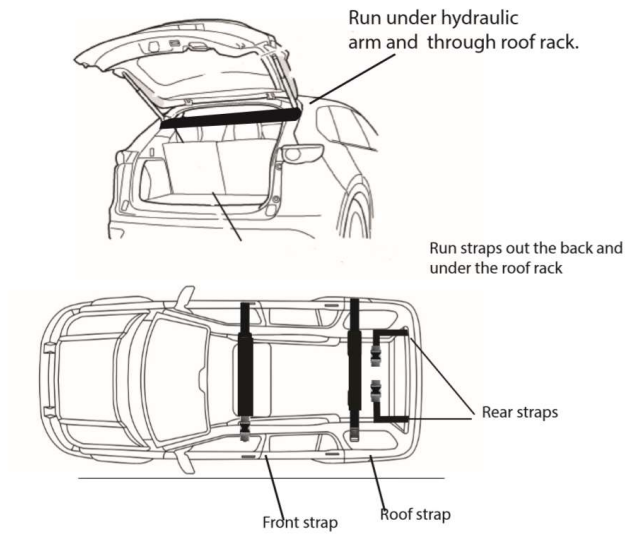


Adjust strap from side

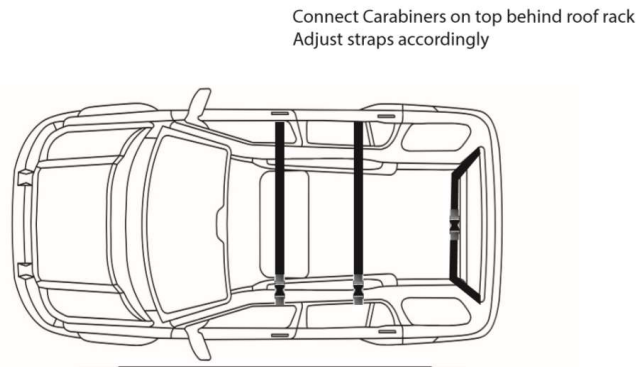
Step 4 - Attach the carabiner pieces to the rear straps.



Step 5 - Run the carabiner pieces (now attached to the rear straps) out the back being sure to run under any hydraulic arm, and through the roof rack. If the roof rack gap is very small, it may be necessary to do step 4 after step 5.



Step 6 - Connect the two carabiners on top of the vehicle and adjust the straps.



www.carhammock.com
info@carhammock.com