

1700, Setlakwe Street
 Theftord Mines (QC) G6G 8B2
 CANADA
 www.technometalpost.com

CONFIDENTIAL

THE INFORMATIONS CONTAINED
 IN THIS DRAWING IS THE SOLE
 PROPERTY OF TECHNO METAL POST INC.
 ANY REPRODUCTION IN PART OR
 AS A WHOLE WITHOUT THE WRITTEN
 PERMISSION OF TECHNO METAL POST INC.
 IS PROHIBITED

REVISIONS

DATE	DESCRIPTION	REV.

Client :

Client address :

Project :

Drawing :
**Footing and wall of foundation
 Model 2
 (Reinforcing bar-before
 construction)**

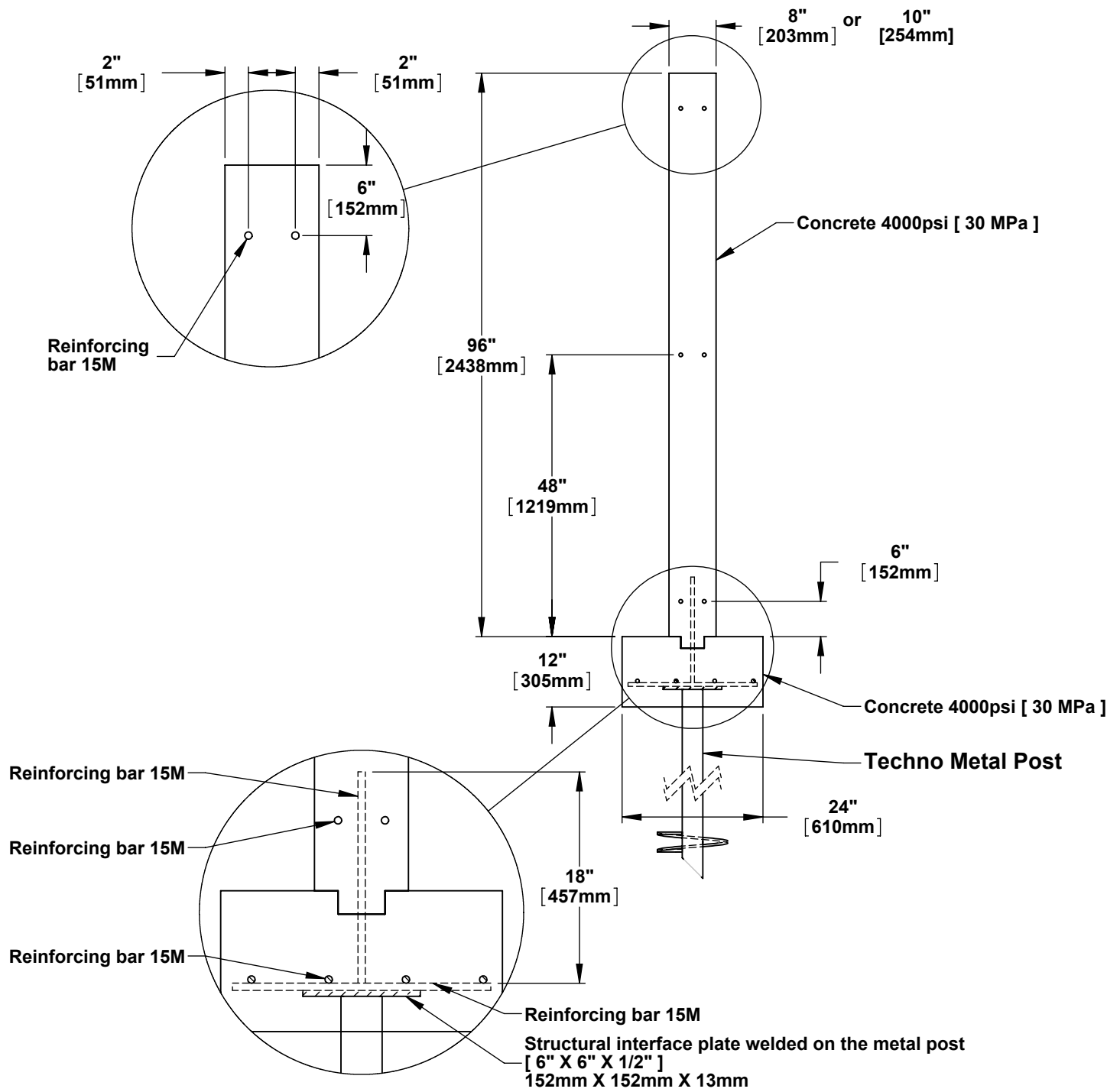
Approved by :

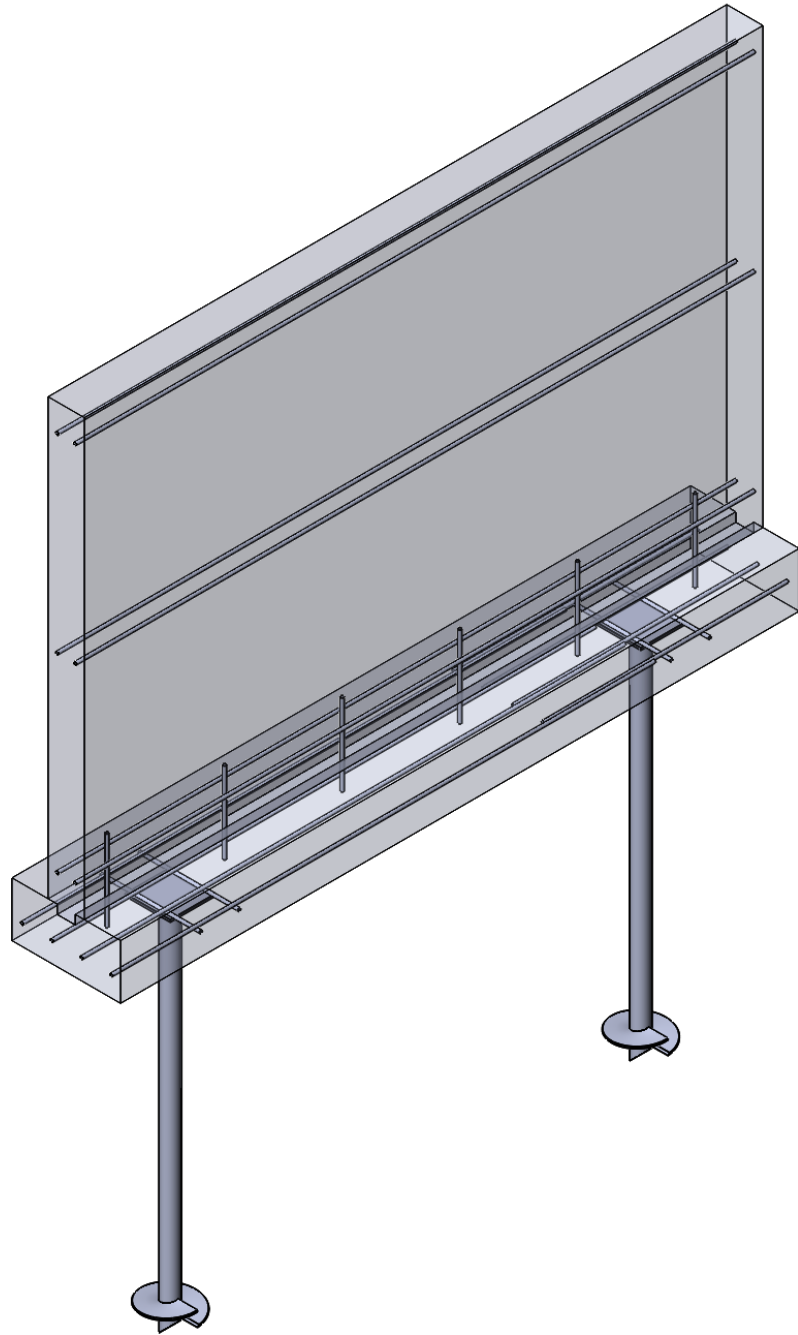
Date :
 2011-10-20

Scale :
 N/A

Drawing no:
 FON-EMP-04-R0-A

Page number :
 SHEET 1 OF 2





1700, Setlakwe Street
 Thefford Mines (QC) G6G 8B2
 CANADA
www.technometalpost.com

CONFIDENTIAL

THE INFORMATIONS CONTAINED
 IN THIS DRAWING IS THE SOLE
 PROPERTY OF TECHNO METAL POST INC.
 ANY REPRODUCTION IN PART OR
 AS A WHOLE WITHOUT THE WRITTEN
 PERMISSION OF TECHNO METAL POST INC.
 IS PROHIBITED

REVISIONS

DATE	DESCRIPTION	REV.

Client :

Client adress :

Project :

Drawing :
**Footinf and wall of fondation
 Model 2
 (Reinforcing bar-before
 construction)**

Approved by :

Date :
 2011-10-20

Scale :
 N/A

Drawing no:
 FON-EMP-04-R0-A

Page number :
 SHEET 2 OF 2