

AIR WHIRL[™]

CRISPER



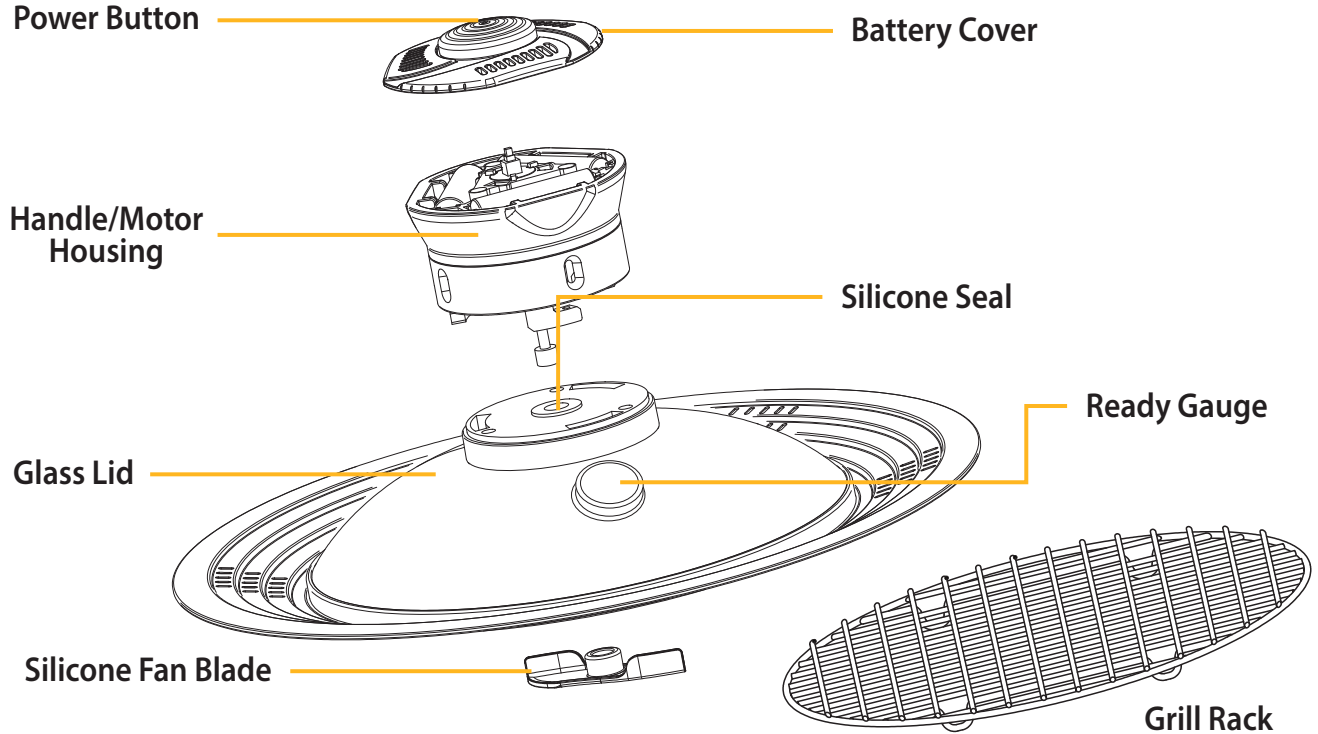
Great for Cooking and Baking

For Installation Videos and Tips visit,
www.AirWhirlTips.com



Instruction Manual

Contents



Important Safety Instructions

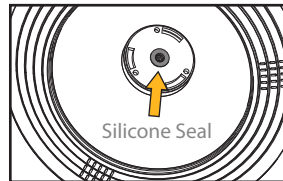
READ ALL WARNINGS AND INSTRUCTIONS FOR SAFE USE BEFORE USING THE AIR WHIRL™ AIR FRYING LID

WARNING: FAILURE TO FOLLOW THE WARNINGS PROVIDED BELOW MAY RESULT IN PERSONAL INJURY, PROPERTY DAMAGE, OR DAMAGE TO YOUR AIR WHIRL™ AIR FRYING LID

- Do not permit children to use the cooking system unattended while in use.
- To avoid the risk of fire, keep all combustibles such as kitchen towels, paper towels, oven mitts, etc., away from unit when it is hot.
- The Air Whirl™ air frying lid becomes hot when used. Do not pick up without using oven mitts.
- Cooking in the Air Whirl™ air frying lid may cause steam to build up. Be careful when opening the glass lid. Open the lid away from you.
- To avoid the risk of steam burns, do not handle a heated Air Whirl™ air frying lid using wet oven mitts or potholders.
- Remove Handle/Motor Housing before fully cleaning glass lid with warm water and a mild dish soap or dishwasher.
- Use dry cooking mitts or potholder to handle all hot surfaces.
- When handling the air frying lid, take all necessary precautions to avoid burns, cuts or serious personal injury.
- **NEVER** use the Air Whirl™ air frying lid in your oven, microwave, or any other non-stove top heat source.
- **ONLY** the glass lid on The Air Whirl™ air frying lid is dishwasher safe.
- **NEVER** put the handle in dishwasher or submerge in water.
- **NEVER** use in a microwave, campfire, or outside open flame.
- **DO NOT** drop this device as impact may cause damage to the unit, and its internal components.

Cleaning

- Remove the ready gauge before putting the glass lid into dishwasher.
- Remove black silicone fan by pulling fan downward (hand wash or use a dishwasher).
- Remove Handle/Motor Housing by holding it in one hand and turning clockwise.
- Do not lose silicone seal (hand wash once silicone seal is clean).
- Use a light damp cloth to wipe the outside of the Handle/Motor housing.
DO NOT wipe battery compartment.
- **NEVER** put the Handle/Motor Housing in dishwasher or submerge in water.

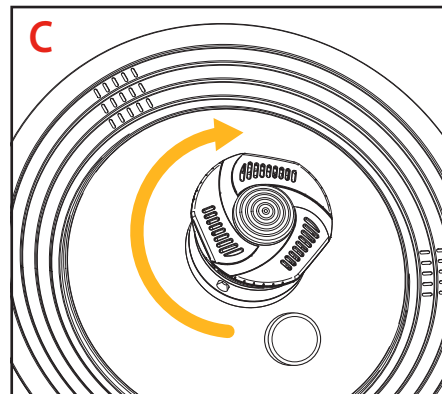
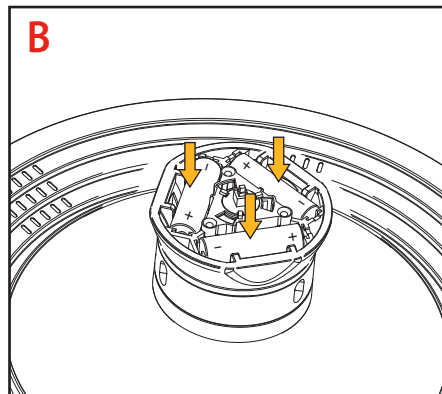
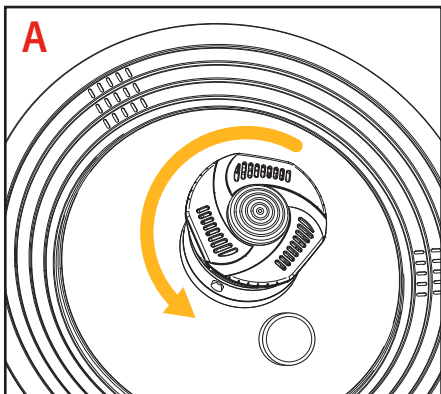


Initial Setup

- Remove the battery cover by turning counterclockwise. (Diagram A)
- Insert 3x AA batteries (not included) according to polarizing markings. (Diagram B)
- Install battery cover. (Diagram C)

Note: Do NOT mix old and new batteries. DO NOT use lithium batteries. The use of standard batteries is recommended. DO NOT mix lithium, alkaline, carbon-zinc, nimhd or NiCad, or any other AA battery types.

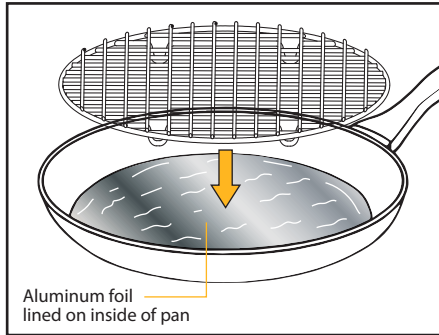
Remove batteries from device when not used for extended periods of time.



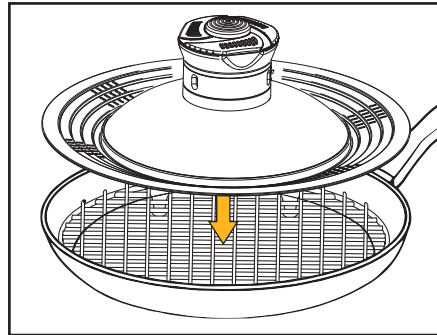
How To Use Your Air Whirl™

- The Air Whirl™ air frying lid requires the use of a 10 inch, 11 inch or 12 inch frying pan with a minimal depth of 1.75 inch.
- Always place the Air Whirl™ air frying lid in the center of the frying pan.
- Do not use smaller frying pan to prevent damage to the Air Whirl™ air frying lid.
- The Air Whirl™ air frying lid was designed to be used at frying pan temperatures below 500 F.
- Always use the included grill rack.
- **Always line inside of frying pan with aluminum foil to prevent spilled food particles and grease from burning and damaging the pan coating.**
- Always ensure fan is rotating freely and not interfering with food on the grill rack.

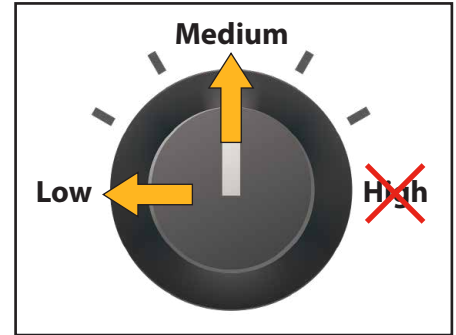
Stove Use



Line inside of frying pan with aluminum foil, then insert grill rack into frying pan



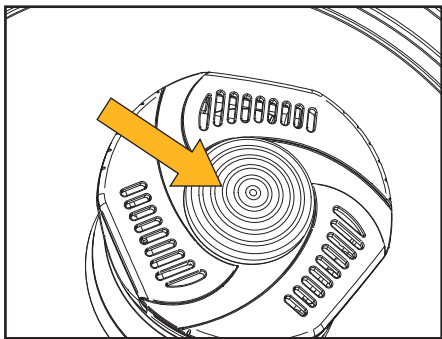
Cover frying pan with the Air Whirl™ air fryer lid



Set stove burner to medium setting. If cooking fatty foods like bacon, set burner to low setting, to avoid burning the fat on the bottom of frying pan.

Warning: When using the Air Whirl™ frying lid, food particles and grease deposited may burn if heat is too high. Always place a sheet of aluminum foil below the grill rack to prevent damage to pan's coating.

How To Use Your Air Whirl™ (Continued)



Turn on the Air Whirl™ by pressing the power button



In about 12 to 15 minutes, the thermometer will point near the "ready" zone. Most foods are ready in 14 to 16 minutes. To make sure that meat has been cooked properly, use a meat thermometer to check temperature.

- For most packaged foods, the cooking time will be 30% to 50% faster with the Air Whirl™ air fryer lid than using a stove top or oven.
- Cooking times will vary depending on pan and stove. Feel free to experiment.
- **Important:** For longer cook times, after about 12-15 minutes, set the stove to low.
- Once cooking is complete, remove frying pan with the Air Whirl™ air frying lid attached from hot stove and allow to cool completely.

Warning: Do not allow ready gauge to reach to burn.

Great Foods for the Air Whirl™

- Pizza, both fresh and reheated
- Hot Pockets
- Chicken nuggets
- Frozen french fries
- Pizza bites
- Cheese sticks
- Veggies

Use the Air Whirl for baking

- Cinnamon rolls
- Muffins
- Cookies
- Biscuits
- Turnovers

Warnings and Cautions

- Insert (3) AA batteries as directed (not included). Ensure batteries are installed properly with regard to polarity direction indicated on battery compartment (+and-).
- **DO NOT** mix old and new batteries. **DO NOT** use lithium batteries. The use of standard batteries are recommended. **DO NOT** mix lithium, alkaline, carbon-zinc, nimhd or NiCad, or any other AA battery types.
- Remove batteries from device when not used for extended periods of time.
- Remove depleted or expired batteries. **DO NOT** place or locate this device or any batteries used in this device directly into or nearby fire or expose directly to extreme elevated temperatures.
- **DO NOT** disassemble the glass lid.
- **DO NOT** disassemble the Handle.
- **DO NOT** microwave lid.
- **DO NOT** freeze lid.
- **DO NOT** hand wash or use a dishwasher to clean the Handle. Damage may occur. Spot clean with a dry cloth only.
- **DO NOT** submerge, or expose handle to water as damage may occur.

Warnings and Cautions (Continued)

- Keep this device, and its contents and all packaging materials away from small children, unsupervised children and pets.
- **DO NOT** drop this device as impact may cause damage to the lid, Handle/ Motor Housing, and its internal components.

NOTE: This equipment has been tested and found to comply with the limits for a Class B digital device, pursuant to Part 15 of the FCC Rules. These limits are designed to provide reasonable protection against harmful interference in a residential installation. This equipment generates, uses and can radiate radio frequency energy and, if not installed and used in accordance with the instructions, may cause harmful interference to radio communications. However, there is no guarantee that interference will not occur in a particular installation. If this equipment does cause harmful interference to radio or television reception, which can be determined by turning the equipment off and on, the user is encouraged to try to correct the interference by one or more of the following measures:

- Reorient or relocate the receiving antenna.
- Increase the separation between the equipment and receiver.
- Connect the equipment into an outlet on a circuit different from that to which the receiver is connected.
- Consult the dealer or an experienced radio/TV technician for help.

Warning: Changes or modifications to this unit not expressly approved by the party responsible for compliance could void the user's authority to operate the equipment.

AIR 
WHIRL[™]
CRISPER

Great for Cooking and Baking

ALLSTAR
I N N O V A T I O N S [™]

©2021 ALLSTAR INNOVATIONS

AIR WHIRL is a trademark of ALLSTAR INNOVATIONS

Allstar Kitchen is a trademark of ALLSTAR INNOVATIONS

Distributed by ALLSTAR INNOVATIONS

Hawthorne, NY 10532

Made in China.

Patent Pending.