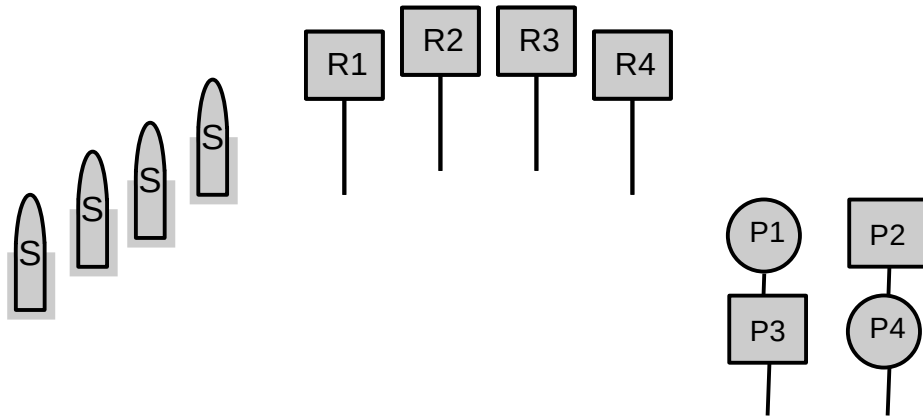


STAGE 1



START: At any position, at the ready.

Rifle loaded w/10 rds staged at any position.

Shotgun open and empty staged at any position.

Pistols loaded w/5 each and holstered.

LINE: “. .“

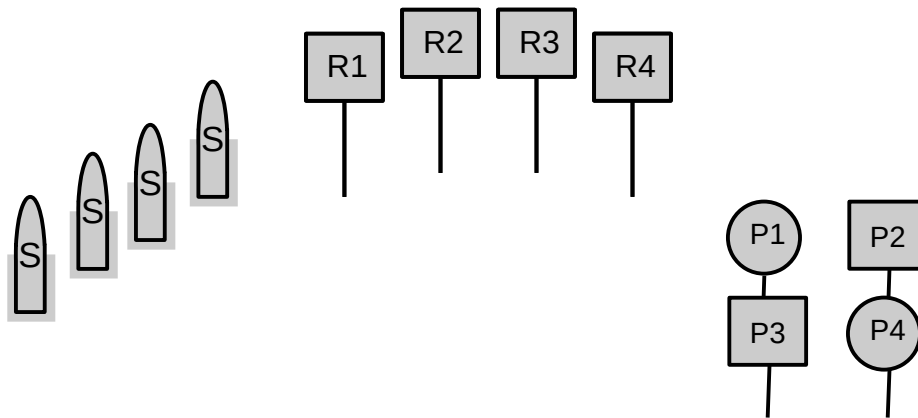
AT THE BEEP: (Guns may be shot in ANY order.)

At “A” With Shotgun: Engage the four SG targets.

At “B” With Rifle: Engage the rifle targets R1,R2,R3,R4,R1,R2,R3,R4,R1,R2.

At “C” With Pistols: Engage pistol targets same instructions as rifle.

STAGE 2



START: At any position, hands anywhere. (touching firearm ok)
Rifle loaded w/10 rds staged at any position.
Shotgun open and empty staged at any position.
Pistols loaded w/5 each and holstered.

LINE: “. .“

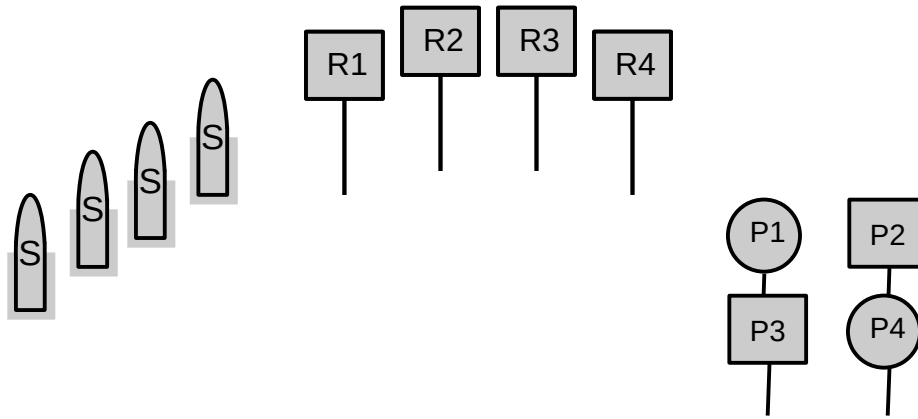
AT THE BEEP: (Guns may be shot in ANY order.)

At “A” With Shotgun: Engage the four SG targets Right to Left

At “B” With Rifle: Engage the targets R4,R4,R4,R4, R3,R3,R3, R2,R2, R1.

At “C” With Pistols: Engage pistol targets same instructions as rifle.

STAGE 3



★ 10 RIFLE 10 PISTOL 4+ SHOTGUN ★

START: At any position, first firearm of choice in hands.

Rifle loaded w/10 rds staged at any position.

Shotgun open and empty staged at any position.

Pistols loaded w/5 each and holstered.

LINE: “. “

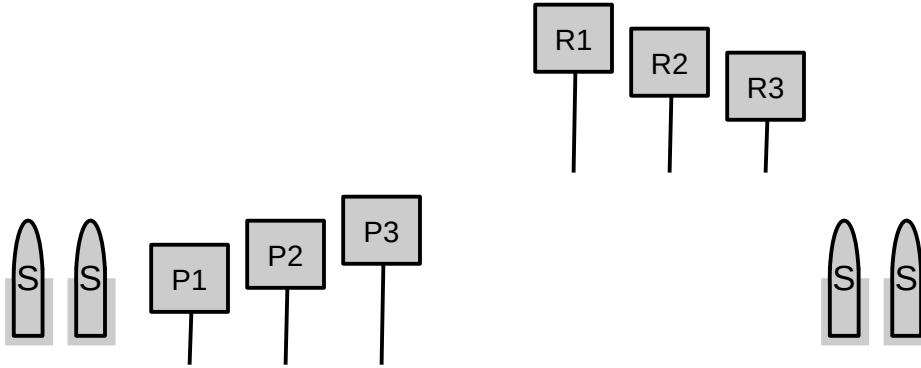
AT THE BEEP: (Guns may be shot in ANY order.)

At “A” With Shotgun: Engage the four SG targets.

At “B” With Rifle: Alternate Between R1 and R4 for 5 rounds,
Repeat for R2 and R3. May start with either pair.

At “C” With Pistols: Engage pistol targets same instructions as rifle.

STAGE 4



	10 RIFLE	10 PISTOL	4+ SHOTGUN	
---	----------	-----------	------------	---

START: At any position, at the ready.
Rifle loaded w/10 rds staged at any position.
Shotgun staged at any position.
Pistols loaded w/5 each and holstered.

LINE: “. “

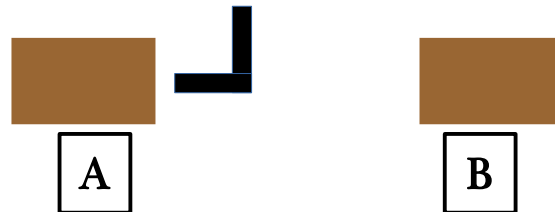
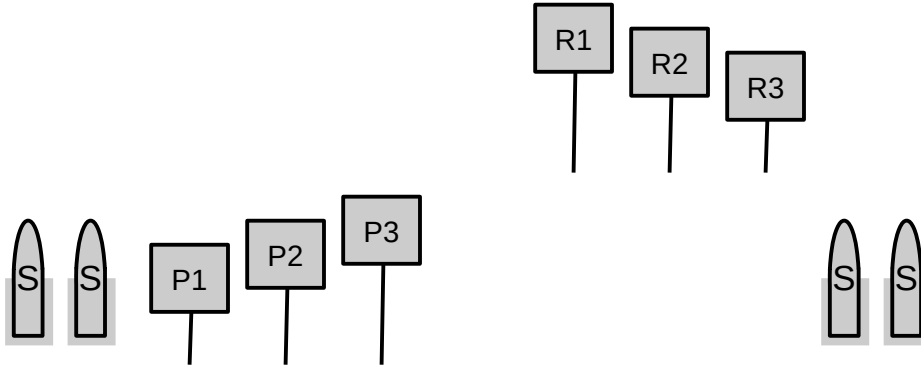
AT THE BEEP: (Guns may be shot in ANY order.)

At “A” With Pistols: Starting on either end, engage pistol targets P1,P3, P1,P2,P3. Repeat for second 5 rounds.

At “B” With Rifle: Engage rifle targets same instructions as pistols.

At “A and B” With Shotgun: Engage two SG targets from each position.

STAGE 5



	10 RIFLE	10 PISTOL	4+ SHOTGUN	
---	----------	-----------	------------	---

START: At any position, at the ready.
Rifle loaded w/10 rds staged at any position.
Shotgun staged at any position.
Pistols loaded w/5 each and holstered.

LINE: “. .“

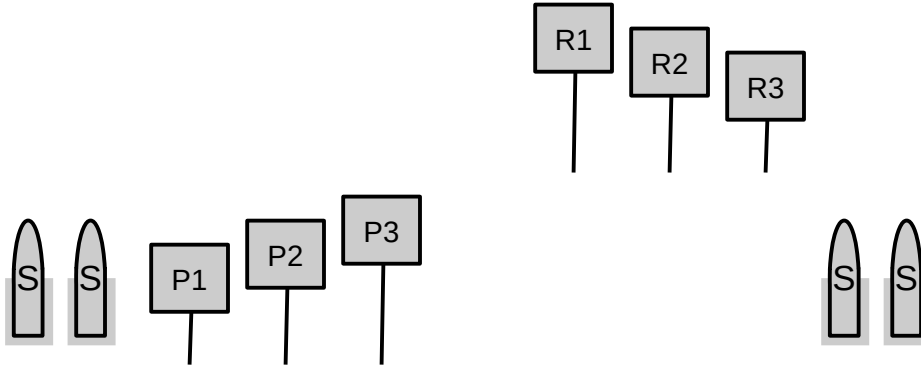
AT THE BEEP: (Guns may be shot in ANY order.)

At “A” With Pistols: Alternate between P1 and P3 for 5 rounds THEN place 5 rounds on P2.

At “B” With Rifle: Engage rifle targets same instructions as pistols.

At “A and B” With Shotgun: Engage two SG targets from each position.

STAGE 6



	10 RIFLE	10 PISTOL	2+ SHOTGUN	
---	----------	-----------	------------	---

START: At any position, hands on hat.
Rifle loaded w/10 rds staged at any position.
Shotgun staged at any position.
Pistols loaded w/5 each and holstered.

LINE: “. “

AT THE BEEP: (Guns may be shot in ANY order.)

At “A” With Pistols: Triple tap each pistol target placing 10th round on any pistol target.

At “B” With Rifle: Engage rifle targets same instructions as pistols.

At “A or B” With Shotgun: Engage any TWO SG targets.