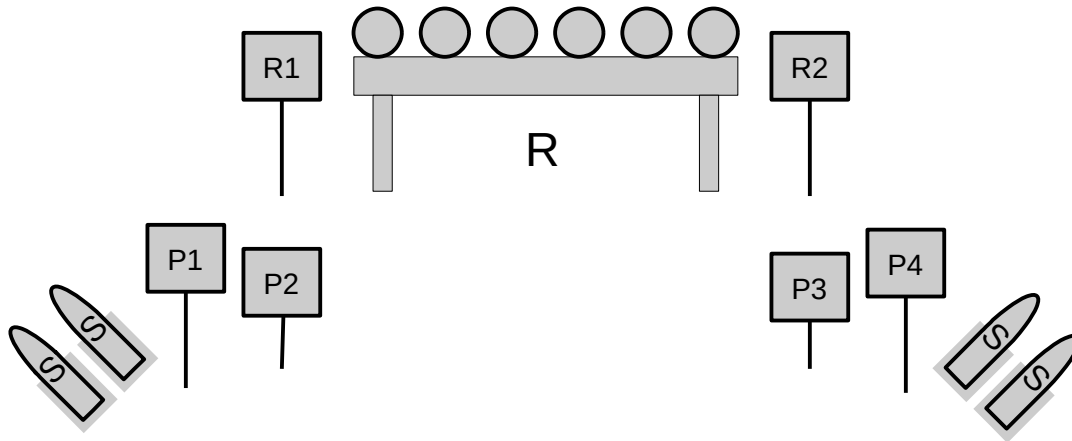


STAGE 1



START: Position A or B, hands on hat.
Shotgun staged on any table.
Rifle staged on any table.
Pistols holstered.

LINE: “ It’s too hot to haggle. “

AT THE BEEP: (Guns may be shot in ANY order.)

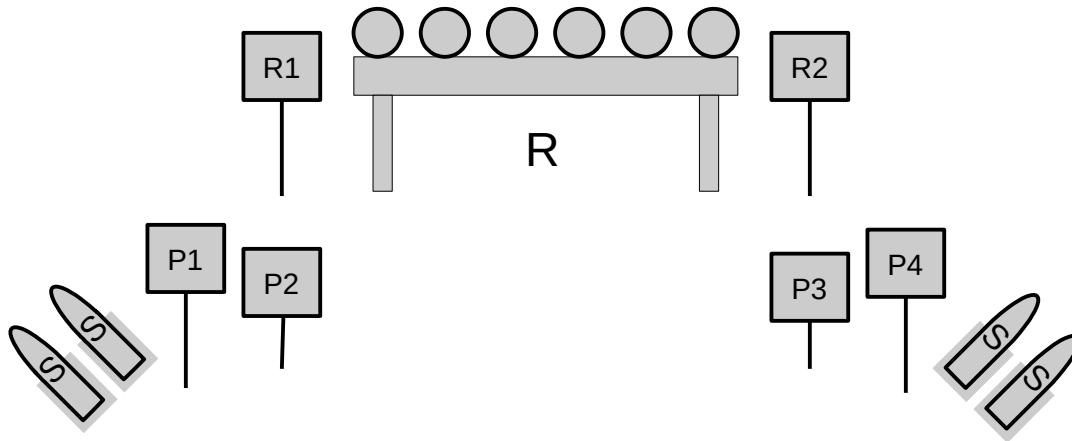
At “A and B” With Shotgun: Engage 2 SG from each position.

At “A or B” With Rifle: Double tap R1, sweep the plate rack, then double tap R2. May start on R1 or R2.

(The plates are no-miss 1 second BONUS each, solid targets are miss.)

At “A and B” With Pistols: Using both positions place at least 2 rounds on each pistol target.

STAGE 2



START: Position A or B, firearm of choice in hand(s).
Shotgun staged on any table.
Rifle staged on any table.
Pistols holstered.

LINE: “ It’s almost hotter than a six shooter. “

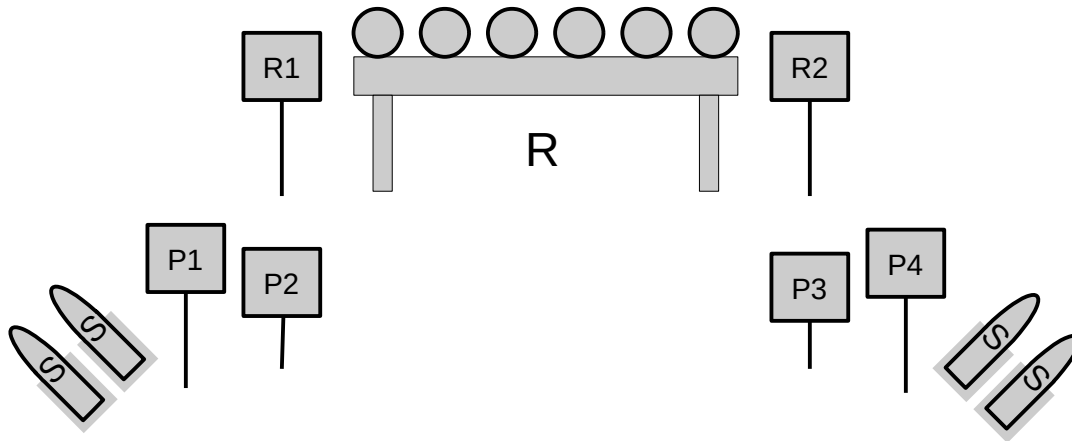
AT THE BEEP: (Guns may be shot in ANY order.)

At “A and B” With Shotgun: Engage any 2 SG targets.

At “A or B” With Rifle: Double tap R1 then engage the plate rack 3 times.
Double tap R2 then engage the plate rack 3 times. May start on R1 or R2.
(The plates are no-miss 1 second BONUS each, solid targets are miss.)

At “A and B” With Pistols: Using both positions starting on either end engage P1-P4 in a 2-3-3-2 sweep.

STAGE 3



START: Position A or B, hands anywhere except touching a firearm.
Shotgun staged on any table.
Rifle staged on any table.
Pistols holstered.

LINE: “ Is this hot enough for ya? “

AT THE BEEP: (Guns may be shot in ANY order.)

At “A and B” With Shotgun: Engage 2 SG from each position.

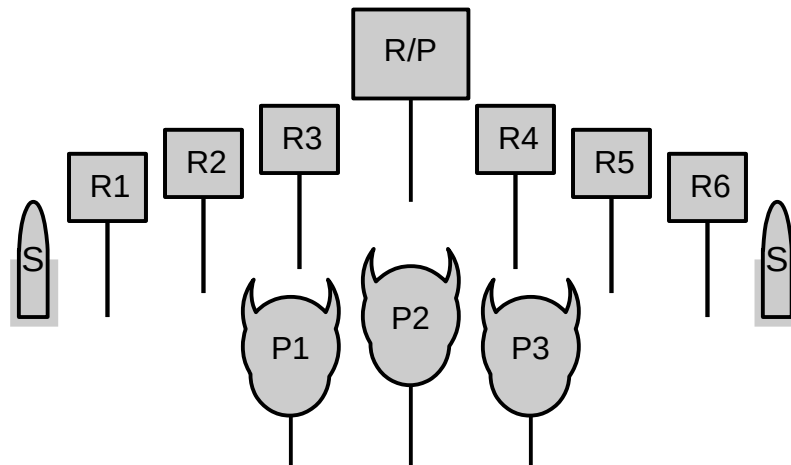
At “A or B” With Rifle:

Engage the plate rack as follows: Engage the plate rack 3 times then double tap a solid rifle target then engage the plate rack 3 times then double tap the OTHER solid rifle target.

(The plates are no-miss 1 second BONUS each, solid targets are miss.)

At “A and B” With Pistols: Alternate for 5 rounds on each pair of pistol targets.

STAGE 4



A

B



10 RIFLE

10 PISTOL

4+ SHOTGUN



START: At any position, anywhere except touching a firearm.

Shotgun staged on any table.

Rifle staged on any table.

Pistols holstered.

LINE: “ It’ll be a lot hotter where you’re goin’ . “

AT THE BEEP: (Guns may be shot in ANY order, both positions must be used.)

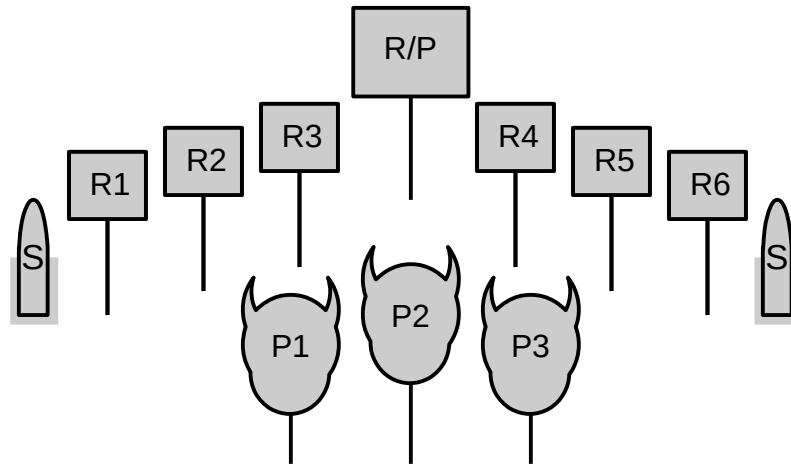
At “A or B” With Pistols: Sweep P1, P2 P3 then double tap RP target.

Sweep P3, P2, P1 then double tap RP target. May start with either sweep.

At “A or B” With Rifle: Sweep R1, R2, R3 then double tap RP target. Sweep R6, R5, R4 then double tap RP target. May start with either sweep.

At “A or B” With Shotgun: Alternate between the 2 SG targets for 4 rounds.
(rocker targets)

STAGE 5



A



B

	10 RIFLE	10 PISTOL	2+ SHOTGUN	
--	----------	-----------	------------	--

START: At any position, firearm of choice in hand(s).

Shotgun staged on any table.

Rifle staged on any table.

Pistols holstered.

LINE: “ It’s hotter than a jalapeno’s armpit. “

AT THE BEEP: (Guns may be shot in ANY order, both positions must be used.)

At “A or B” With Pistols:

Engage pistol targets as follows: RP, P1, P2, P3, RP, then RP, P3, P2, P1, RP.

May do either sweep first.

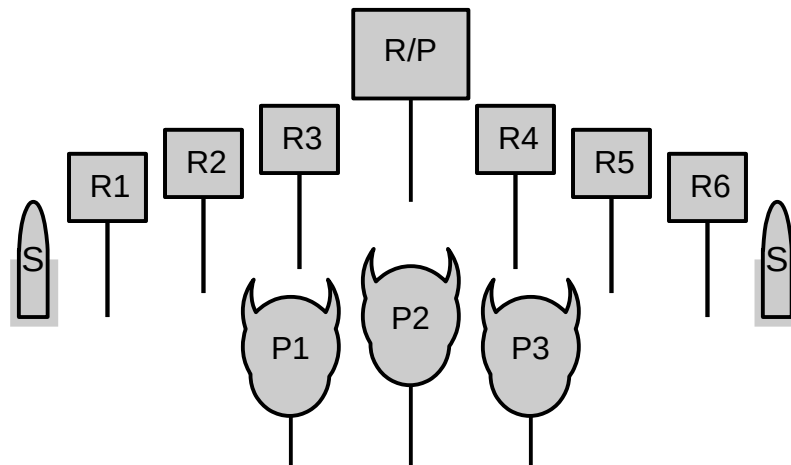
At “A or B” With Rifle:

Engage rifle targets as follows: RP, R3, R2, R1, RP, then RP, R4, R5, R6, RP.

May do either sweep first.

At “A or B” With Shotgun: Engage each shotgun target once. (rocker targets)

STAGE 6



A



B

	10 RIFLE	10 PISTOL	4+ SHOTGUN	
---	----------	-----------	------------	---

START: At any position, hands at sides.

Shotgun staged on any table.

Rifle staged on any table.

Pistols holstered.

LINE: “ But it’s a dry heat. “

AT THE BEEP: (Guns may be shot in ANY order, both positions must be used.)

At “A or B” With Rifle: Engage R1-R3 outside, outside, middle then double tap the RP target. Repeat instruction for second 5 rounds on R4-R6.

At “A or B” With Pistols: Engage P1-P3 outside, outside, middle then double tap the RP target. Repeat instruction for second 5 rounds.

At “A or B” With Shotgun: Alternate between the 2 SG targets for 4 rounds.
(rocker targets)