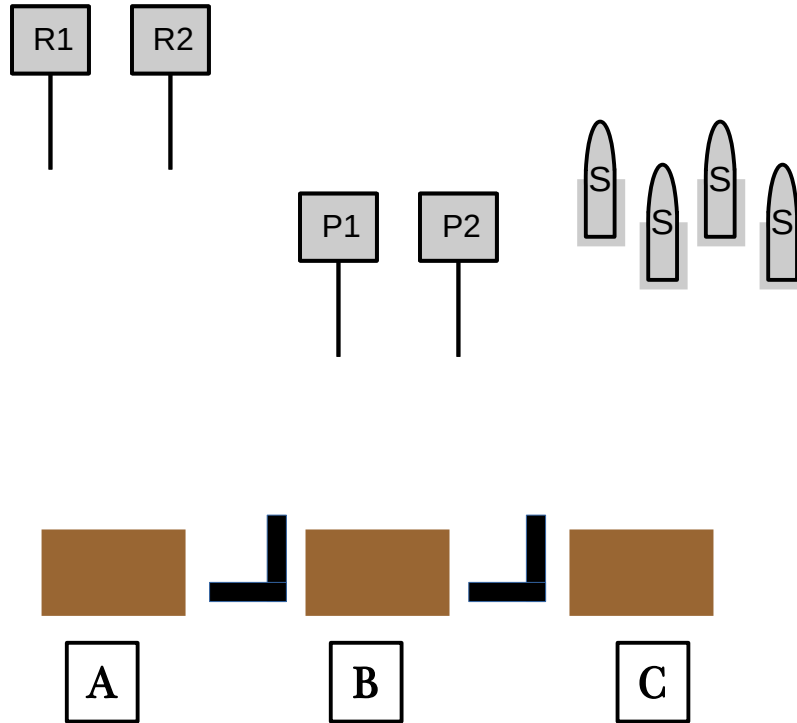


STAGE 1



★ 10 RIFLE 10 PISTOL 4+ SHOTGUN ★

START: At any position A or C, at the ready.
Shotgun open and empty staged safely at any position.
Rifle loaded w/10 rounds staged at position A.
Pistols loaded w/5 each and holstered.

LINE: “Where is everybody?”

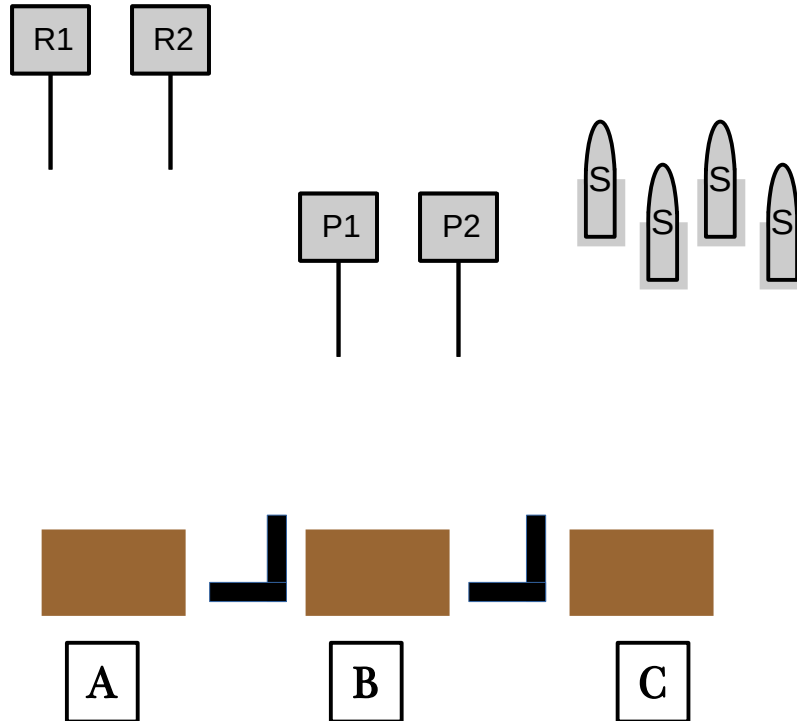
AT THE BEEP: (Shooter may start with rifle or shotgun.)

At “A” With Rifle: Engage 2 Rifle targets targets in a 2-3 sweep, starting on either end. Repeat starting from the same end.

At “B” With Pistols: Engage Pistol targets same instructions as rifle.

At “C” With Shotgun: Engage the four SG targets.

STAGE 2



★ 10 RIFLE 10 PISTOL 4+ SHOTGUN ★

START: At any position, hands on hips.
Shotgun open and empty staged safely at any position.
Rifle loaded w/10 rds staged at position A.
Pistols loaded w/5 each and holstered.

LINE: “Let’s kick up some dust!”

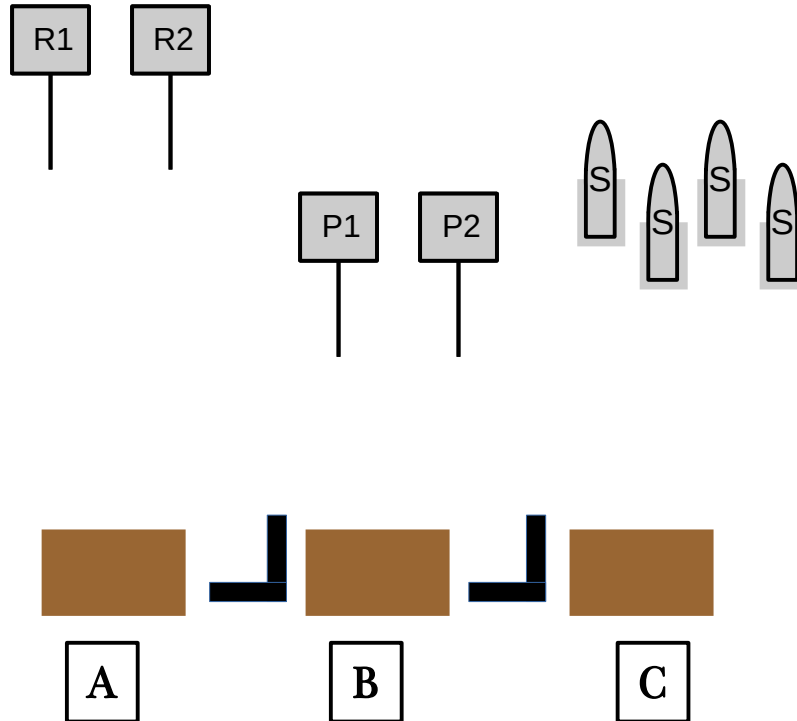
AT THE BEEP: (Guns may be used in any order.)

At “A” With Rifle: Engage Rifle targets as follows:
3 on 1, 3 on 2, 1 on 1, 1 on 2, 1 on 1, 1 on 2

At “B” With Pistols: Engage Pistol targets same instructions as rifle.

At “C” With Shotgun: Engage the four SG targets.

STAGE 3



★ 10 RIFLE 10 PISTOL 4+ SHOTGUN ★

START: At position B, hand or hands on pistols.
Rifle loaded w/10 rounds and staged at position A.
Shotgun open and empty staged at any position.
Pistols loaded w/5 each and holstered.

LINE: “Do I hear thunder?”

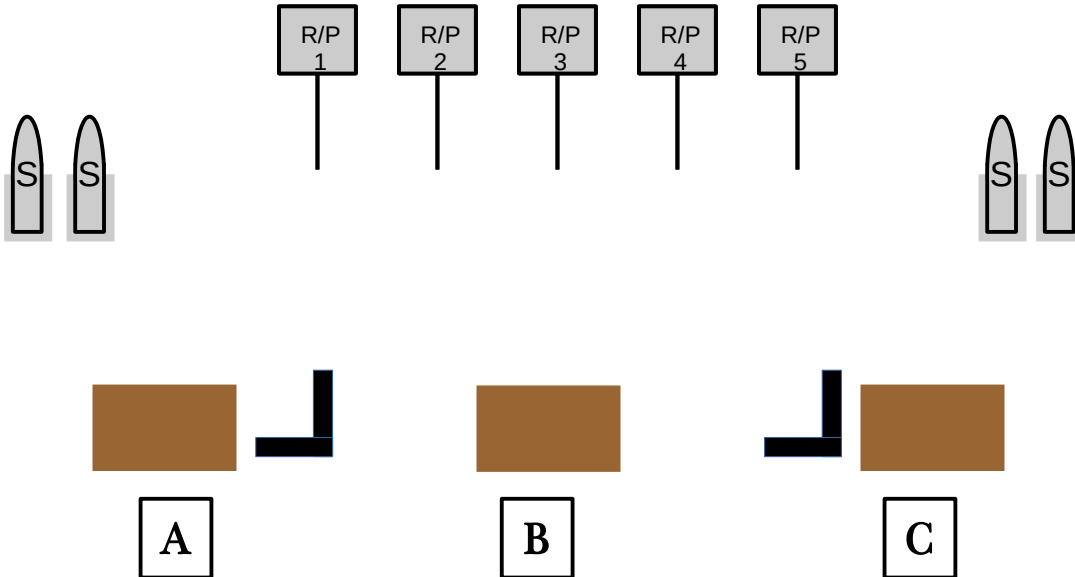
AT THE BEEP: (Must start with pistols but rifle and shotgun in any order.)

At “B” With Pistols: Place 10 rounds on 2 targets. (Each target must be engaged at least twice,)

At “A” With Rifle: Engage rifle targets same instructions as Pistols.

At “C” With Shotgun: Engage the four SG targets.

STAGE 4



	10 RIFLE	10 PISTOL	4+ SHOTGUN	
---	----------	-----------	------------	---

START: At position A or C, shotgun in hand.

Pistols loaded w/5 each and holstered.

Rifle loaded w/10 rounds and staged at position B.

Shotgun open and empty in hands.

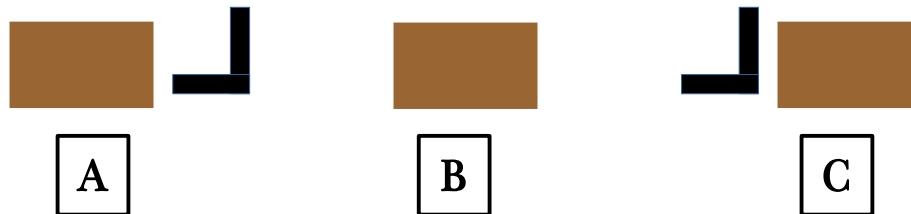
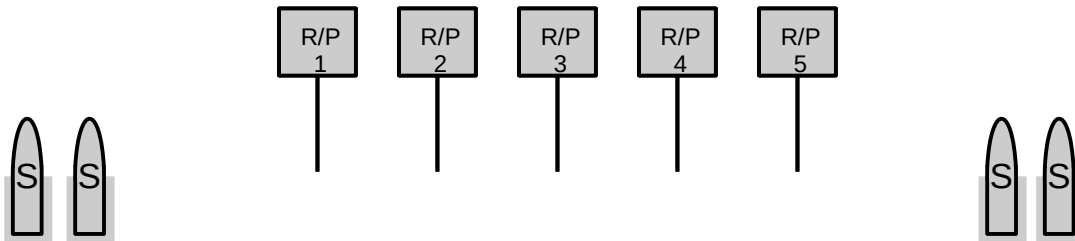
LINE: “Hey, I remember you!”

AT THE BEEP:

At “A” or “C” With Shotgun: Engage 2 shotgun targets. Move to opposite shotgun position and engage 2 more shotgun targets. Move to position B.

At “B” With Rifle and Pistols: Using a combination of both pistols and rifle, engage the targets in a 2-3-5-2-3 sweep. THEN sweep across all 5 targets. (You may sweep from either end and use rifle and pistols in any order. Dirty sweep is OK.)

STAGE 5



START: Any position A or C, hands flat on table.
Pistols loaded w/5 each and holstered.
Rifle loaded w/10 rounds and staged at position B.
Shotgun open and empty staged at position A or C.

LINE: "You ain't to be trusted."

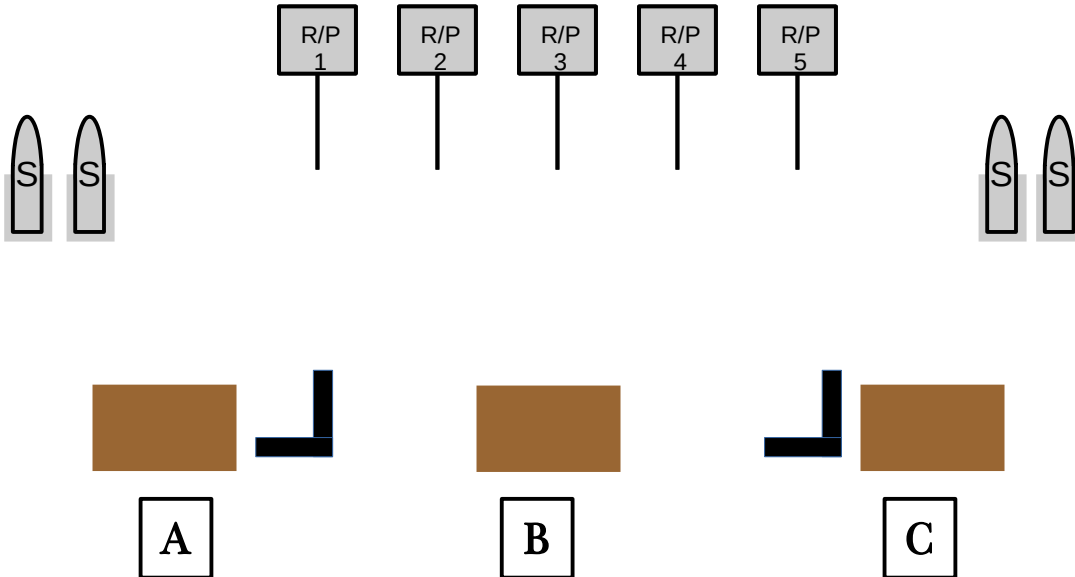
AT THE BEEP: (Shotgun 1st. Rifle and pistols may be shot in any order.)

At "A" or "C" With Shotgun: Engage 2 shotgun targets. Move to position B.

At "B" With Rifle: Engage the five targets as follows:
1 on 1, 1 on 3, 1 on 5, 1 on 4, 1 on 2. Repeat.

At "B" With Pistols: Engage the targets same instructions as rifle.

STAGE 6



START: At position B, hands on hat.
Pistols loaded w/5 each and holstered.
Rifle loaded w/10 rounds and staged at position B.
Shotgun staged at any position.

LINE: "No more excuses!"

AT THE BEEP: (Starting with either rifle or pistols)

At "B" With Rifle: Engage the 5 targets in a double tap sweep: 2-2-2-2-2.
(You may sweep from either end.)

At "B" With Pistols: Engage the five targets same instructions as rifle. Move to position A or C.

At "A" or "C" With Shotgun: Engage 2 shotgun targets. Move to other shotgun position and engage 2 more shotgun targets.