



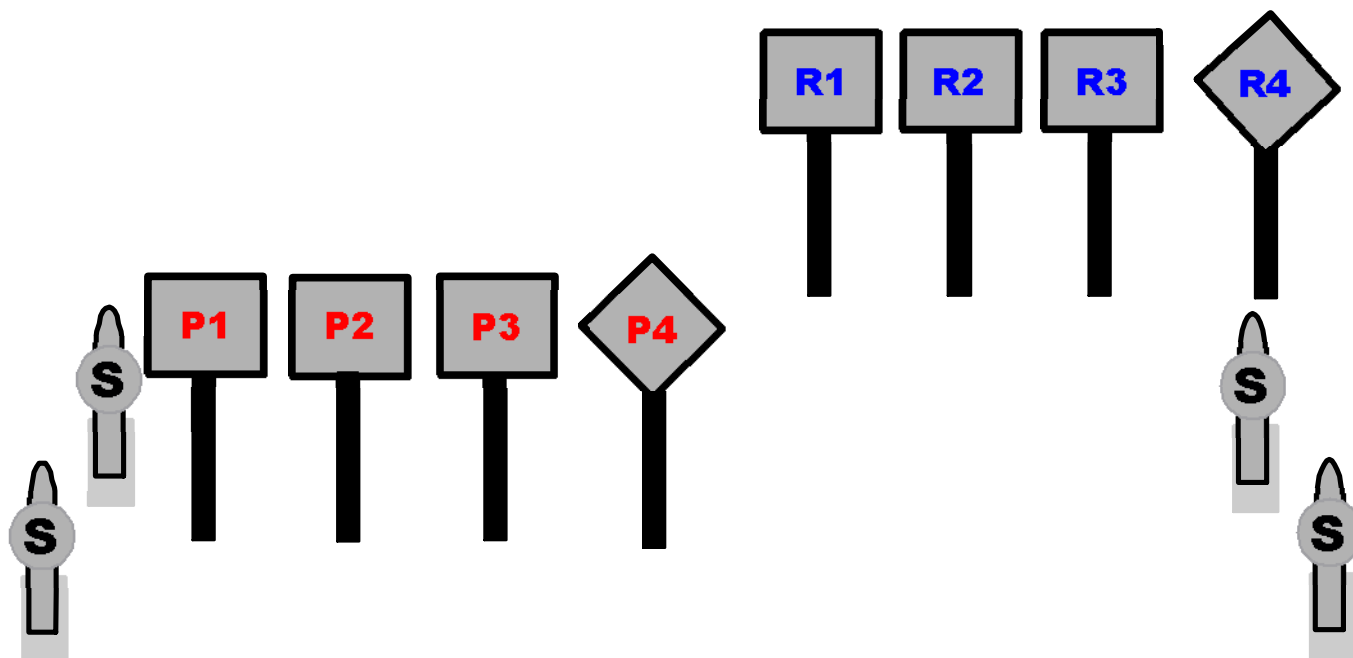
3 BAYS

56=R

60=P

24+=S

STAGE 1



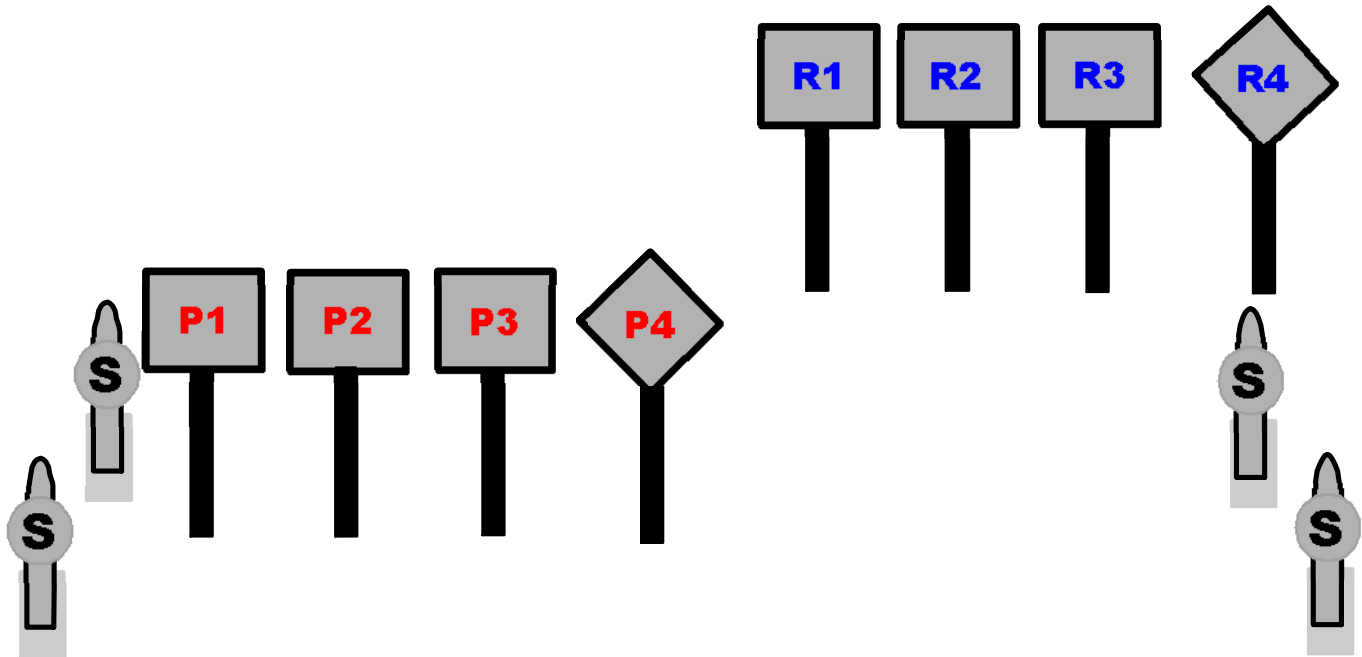
★ 10 RIFLE 10 PISTOL 4+ SHOTGUN ★

START: STANDING BEHIND TABLE @ POSITION 1 OR 3, SHOTGUN IN HANDS. PISTOLS LOADED WITH 5 ROUNDS EACH AND HOLSTERED. RIFLE LOADED WITH 10 ROUNDS AND STAGED AT POSITION 2.

WHEN READY SAY: " IF THEY MOVE, SHOOT. "

AT THE BEEP: With shotgun, engage 2 knock-downs. Make shotgun safe at position 2. With pistols engage the pistol targets: P1, P2, P3, P1, P2, P3, P1, P2, P3, P4. With rifle, engage the rifle targets same as pistols. Make rifle safe, take shotgun to remaining position and engage the two knock-downs.

STAGE 2



★ 10 RIFLE 10 PISTOL 4+ SHOTGUN ★

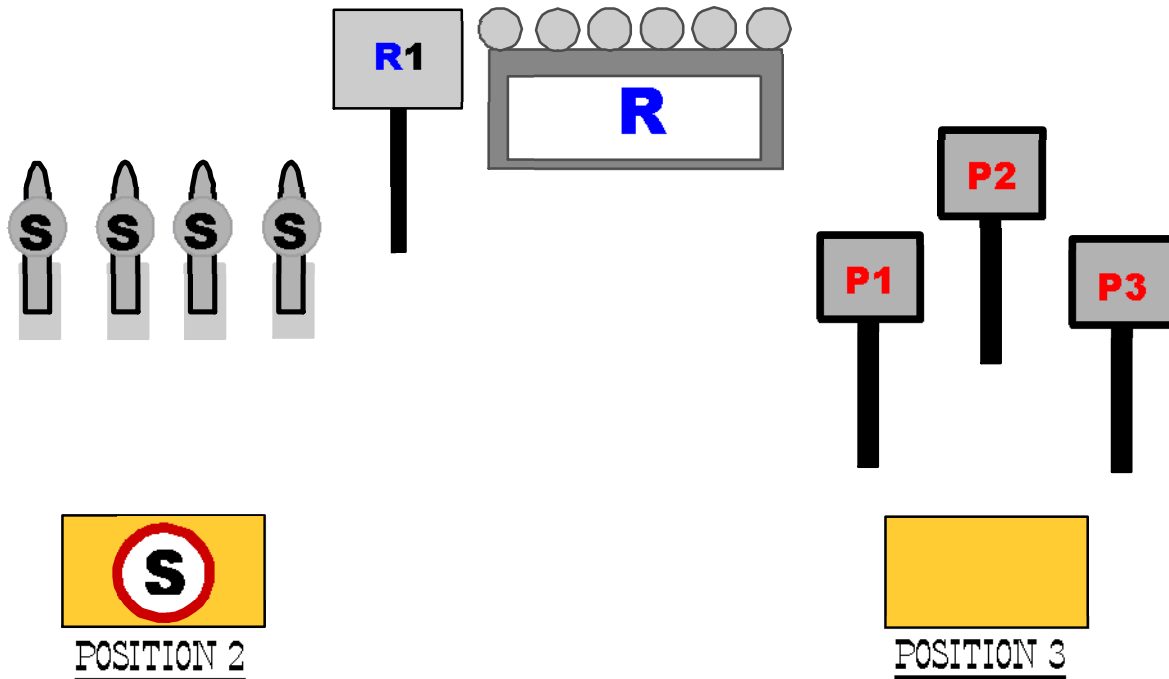
START: STANDING BEHIND TABLE @ POSITION 2, HANDS RELAXED AT SIDES. RIFLE LOADED LOADED WITH 10 STAGED AT POSITION 2. PISTOLS LOADED WITH 5 ROUNDS EACH AND HOLSTERED. SHOTGUN OPEN AND EMPTY STAGED

@ POSITION 1 OR 3.

WHEN READY SAY: " IT AIN'T SO TOUGH. "

AT THE BEEP: With pistols, engage the four pistol targets in a continuous nevada sweep starting on either end. With rifle, engage the rifle targets same as pistols. Make rifle safe and move to shotgun. With shotgun engage two shotgun knock-downs at each position.

STAGE 3



 10 RIFLE 10 PISTOL 4+ SHOTGUN 

START: STANDING @ POSITION 1, RIFLE LOADED WITH 10 HELD AT LOW PORT.
PISTOLS LOADED WITH 5 ROUNDS EACH AND HOLSTERED.
SHOTGUN OPEN AND EMPTY STAGED @ POSITION 2.

**WHEN READY SAY:
" THE BANDITS ARE RIDIN' INTO TOWN! "**

AT THE BEEP:

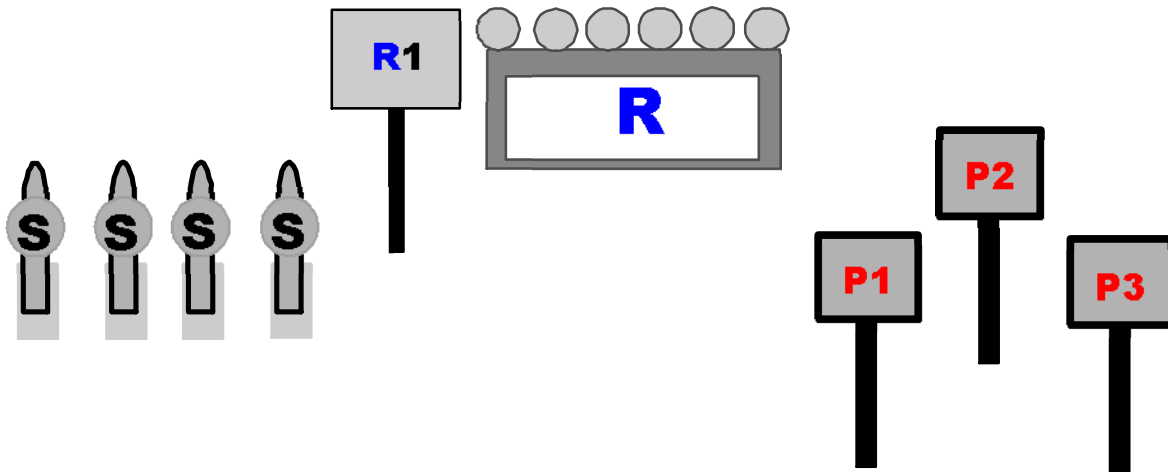
With rifle engage the plate rack until down placing remaining rounds on R1. Make rifle safe and move to position 2. With shotgun engage the 4 knock-downs, any order.

Make shotgun safe and move to position 3.

With pistols engage the pistol targets in a nevada sweep starting on either end.

(Plates left standing are a miss. Misses on P1 after plates are down are a miss.)

STAGE 4



POSITION 2

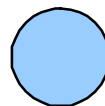
NOTE:
EACH PLATE IS A
NO-MISS,
1 SECOND BONUS.



POSITION 3



POSITION 1



6 RIFLE 10 PISTOL 4+ SHOTGUN

START: STANDING @ POSITION 1, RIFLE LOADED WITH 10, HELD AT LOW PORT.
 PISTOLS LOADED WITH 5 ROUNDS EACH AND HOLSTERED.
 SHOTGUN OPEN AND EMPTY STAGED @ POSITION 2.

WHEN READY SAY:
" LOOKS LIKE WE'RE IT... "

AT THE BEEP:

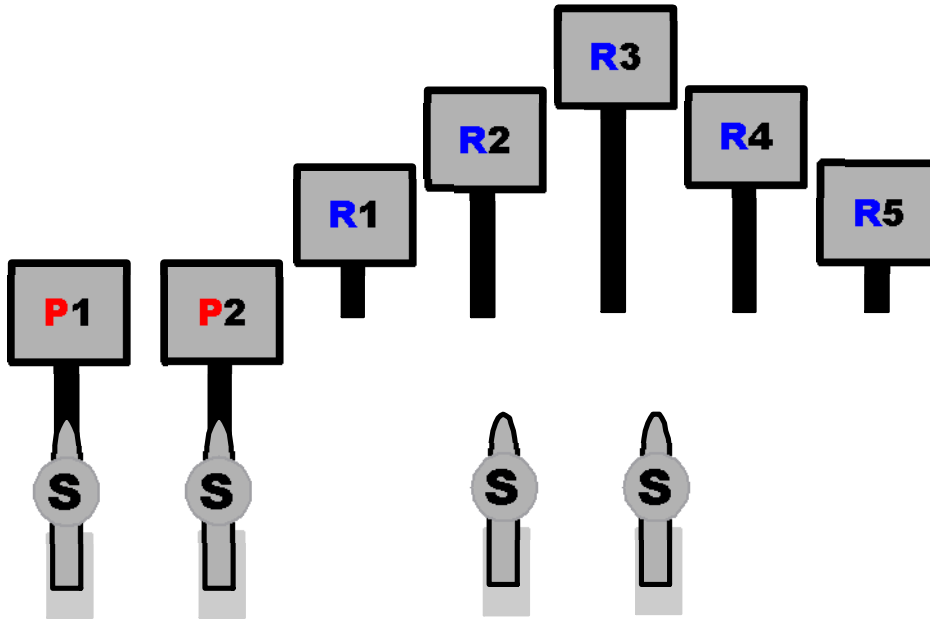
With rifle engage the plate rack outside,outside,inside,inside,middle,middle. Make rifle safe and move to position 3. With each pistol engage the pistol targets in the following order:

P1,P3,P2,P2,P2.

With shotgun engage the 4 knock-downs, any order.

(Plates left standing are NOT a miss.)

STAGE 5



POSITION 1



POSITION 2

 10 RIFLE 10 PISTOL 4+ SHOTGUN 

START: STANDING @ POSITION 1. HANDS RELAXED AT SIDES.

PISTOLS LOADED WITH 5 ROUNDS EACH AND HOLSTERED.

RIFLE, LOADED WITH 10. STAGED @ POSITION 2.

SHOTGUN OPEN AND EMPTY STAGED @ POSITION 2.

SAY THE LINE: " YA MISSED ONE IN THE MIDDLE BOSS! "

AT THE BEEP:

With pistols: Starting on either end, double tap alternating on P1 & P2 for 10 rounds.

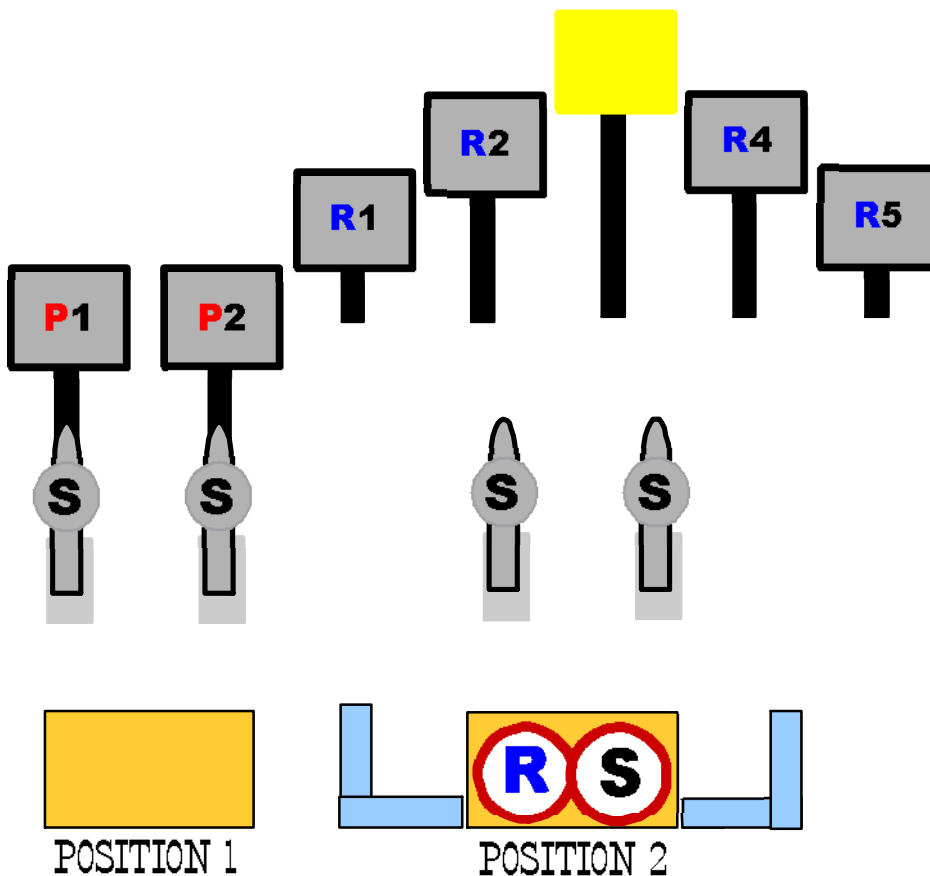
Move to position 2.

With rifle: Starting on either end, engage rifle targets in a Pike's Peak Sweep:

R1, R2, R2, R3, R3, R3, R3, R4, R4, R5. Make rifle safe.

With shotgun: Engage 2 knock-downs then move to position 1 and engage 2 knock-downs.

STAGE 6



★ 10 RIFLE 10 PISTOL 4+ SHOTGUN ★

START: STANDING @ POSITION 2. ONE HAND POINTING AT MISSING TARGET.
 RIFLE, LOADED WITH 10. STAGED @ POSITION 2.
 PISTOLS LOADED WITH 5 ROUNDS EACH AND HOLSTERED.
 SHOTGUN OPEN AND EMPTY STAGED @ POSITION 2.

**SAY THE LINE: " YOU GOT THAT ONE,
 WE'LL GET THE REST! "**

AT THE BEEP:

With rifle: Starting on either end, engage rifle targets in two 2-3 sweeps starting on each end. (example: R1, R1, R2, R2, R2, R5, R5, R4, R4, R4) Make rifle safe.

With shotgun: Engage 2 knock-downs then move to position 1 and engage 2 knock-downs.

With pistols: Starting on either end, engage pistol targets in two 2-3 sweeps starting on each end. (example: P1, P1, P2, P2, P2, / P2, P2, P1, P1, P1.)