

## AMX Hydraulic Skid Lifters



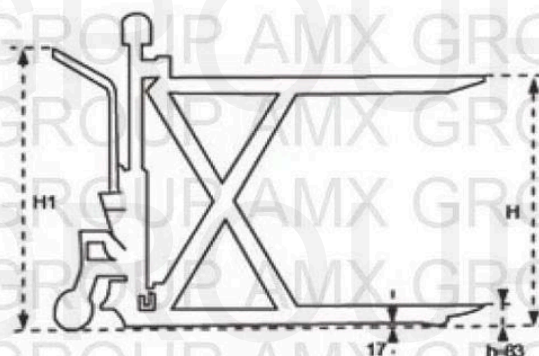
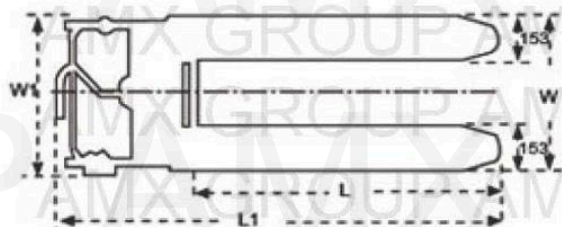
A combination of pallet truck and lift table, these units are ideal for loading and unloading operations.

Hydraulic pumps on these lifters help you easily raise and move pallets. A relief valve prevents pressure build-up to provide overload protection.

Nylon wheels are nonmarking, durable, and work well on smooth surfaces. Polyurethane wheels are nonmarking, abrasion resistant, and shock absorbing. Use them on all types of floors, even if there's debris.

Features manual/foot operated hydraulic operation with easy to use control lever.

**Warning: Never use to lift people.**



Model	HSL50S	HSL50L	HSL100S	HSL100L	HSL50SP	HSL50LP	HSL100SP	HSL100LP
Capacity (KG)	500	500	1000	1000	500	500	1000	1000
Platform	Without Platform				With Platform			
Min / Max Fork Height (mm)	85 / 830				88 / 833			
Fork Length (mm)	1115							
Platform Length (mm)	1115							
Width Overall Forks (mm)	526	590	526	690				
Platform Width (mm)					538	703	538	703
Overall Length (mm)	1550	1550	1640	1640	1550	1550	1640	1640
Overall Width (mm)	526	691	687	852	538	703	693	858
Overall Height (mm)	1012	1012	1307	1307	1012	1012	1307	1307