

## HETHON - Complementary products

### Hethon Control

You can equip our Feeders with a separate control. This way you can easily control multiple Feeders simultaneously and even add other devices to your Feeder-configuration.



### Loss in Weight - Gain in Weight

Hethon dosing machines can be placed on a weighing platform with one or more built-in loadcells as you require. In combination with the software you can, as such, create a high-quality dosing system with many adjustment options. You can, for instance, apply pre-set formulas, adjustable dosing speeds, or a coarse and fine dosing for even more accuracy.

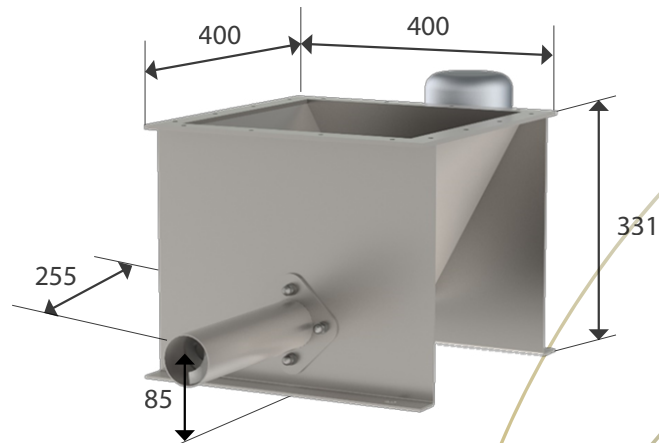
## HETHON - Rental Feeder

### Do you want to try the feeder?

You can rent the Hethon Basic Feeder, with or without control. When you decide to purchase, the rental costs that you incur during the first week expire.

### Would you prefer to test your material on our location?

We have a test room and can test whether our application is also suitable for you. Contact us to discuss your question: we are ready for you!



## CONTACT

### Hethon Nederland B.V.

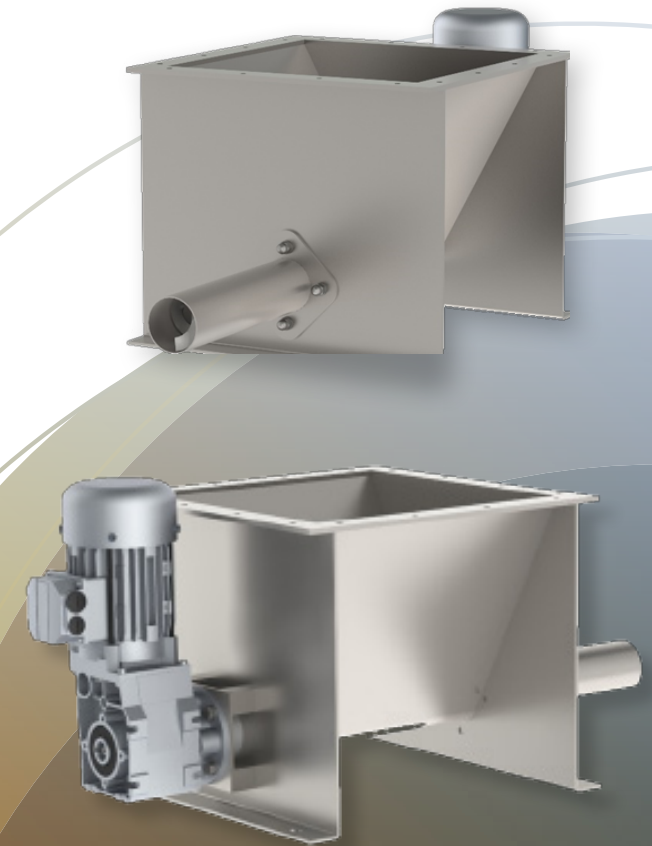
Vlijtstraat 47/49  
7005 BN Doetinchem  
The Netherlands  
T +31 (0)74 250 05 55  
E [info@hethon.nl](mailto:info@hethon.nl)



MAKES YOUR BUSINESS FLOW

## HETHON BASIC FEEDER

For a perfectly dosed flow of dry materials



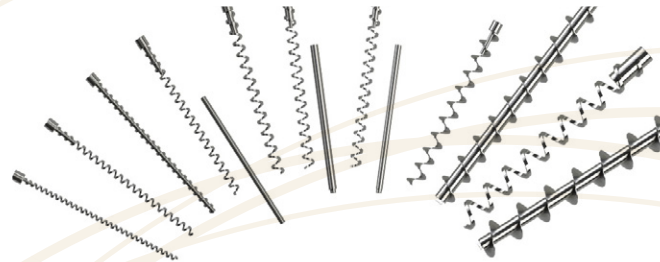
## The Basic Feeder is very easy to clean!

We all know the Hethon Flexible wall Feeder which we are famous for and the best solution for hard to dose powders. But..... Dry powders do not always flows bad. In that case the Hethon Basic Feeder is an excellent alternative or a good combination with your existing Hethon Flexible Wall Feeder.

A lot of customers for example in polymers or plastic granulate business but also in other branches like food or industrial purposes have hard to dose powders but also powders which are easy to dose. This led to the decision to design our own basic Feeder to be able to be a complete supplier for all dosing challenges. The basic Feeder is a feeder with stiff walls. Made of stainless steel so suitable for wide variety of products also for Food applications and processes.

### Extra Hethon nozzles

The Hethon Basic Feeders come standard with an open nozzle. In our option-assortment you can also find a range of other nozzles, for example horizontal or vertical T-nozzles with or without valves, for controlled product dosing.



Great for food applications in professional industries worldwide



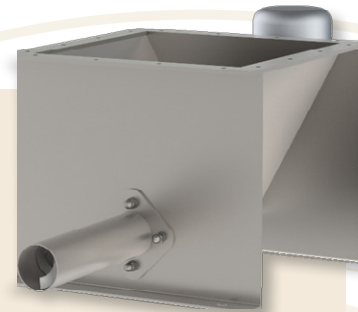
T-nozzle with pneumatic shut-off valve



Extension hoppers to increase the volume are deliverable in different sizes. Our Basic Feeder have some extra benefits for customers who already are using our machines.

### Your benefits of a Hethon Basic Feeder

- Screws are interchangeable with the Flexible wall Feeder
- Hopper volume: 16 ltr
- Expandable with an extension hopper
- Easy to clean
- Low-maintenance because of few wear points
- Stable and strong
- Very few contact parts
- Minimal power consumption
- Excellent price-performance ratio
- Dosing up to 820 l/hour



### THEORETICAL CAPACITIES\*\*\* WHEN USING SCREW DIAMETERS IN LITRES PER HOUR

BASIC FEEDER							
Diameter screw	Screw speed in RPM						
	10	20	40	60	80	100**	120
18	2.40	4.80	9.70	14.50	19.40	24.20	29.10
21	4.30	8.60	17.20	25.80	34.40	43.00	51.60
27	9.30	18.70	37.50	56.20	75.00	93.70	112.50
31	14	28	56	84	112	140	168
40	30	60	120	180	240	300	360
50	58	116	232	348	464	580	696
58	82	164	328	492	656	820	984