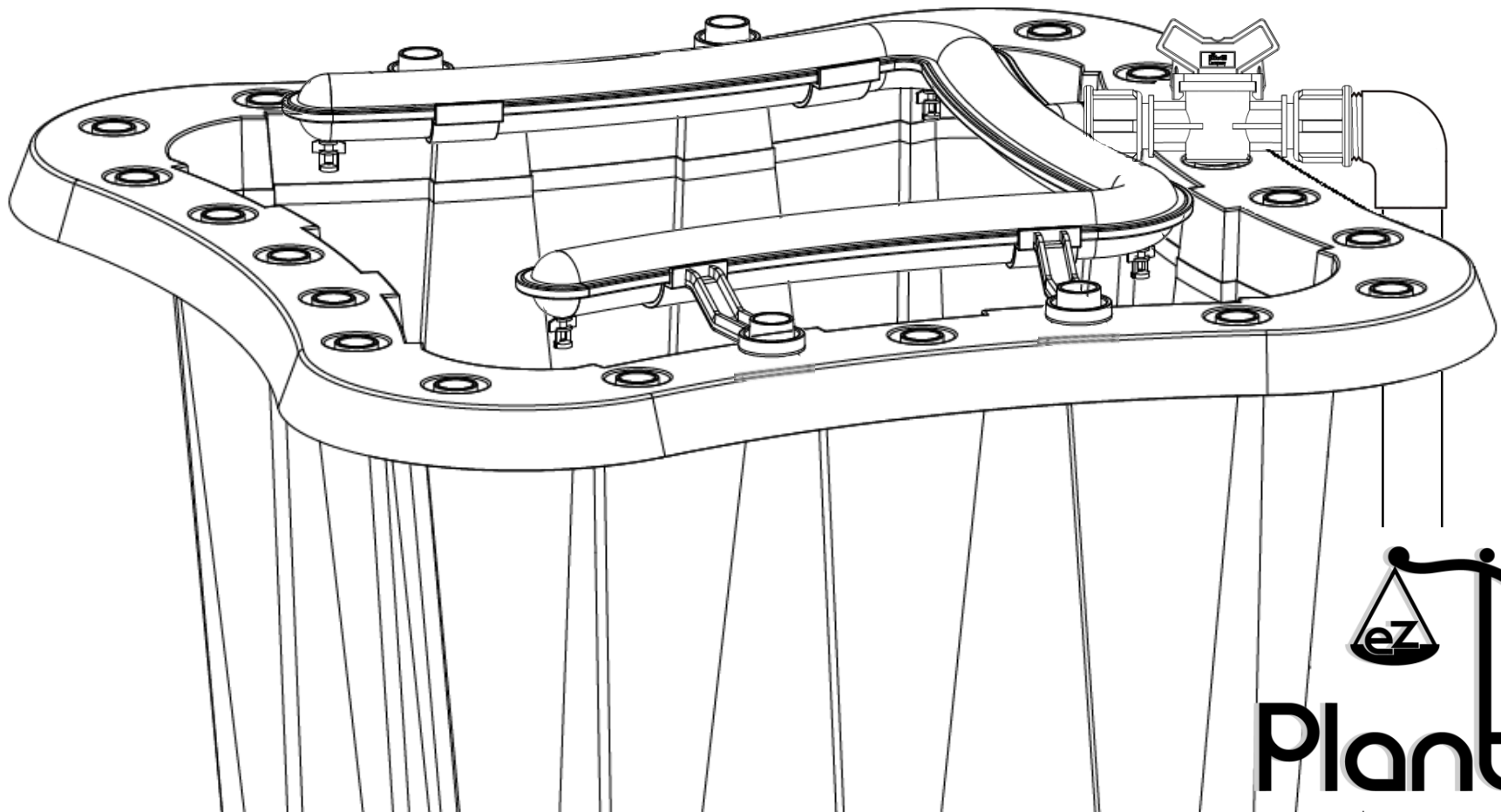


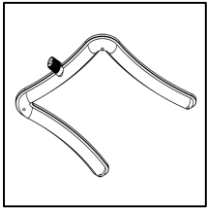
THE Bucket+Company™

How to Assemble & Install the Irrigation Manifold System

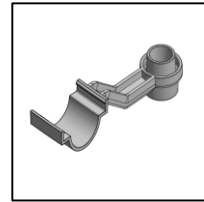


PARTS LIST.

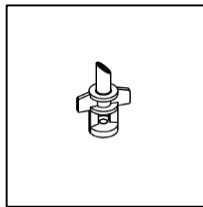
Parts that are Included with your Kit.



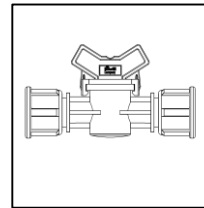
Irrigation Manifold
(1 Per Planter)



Irrigation Manifold Bracket
(4 Per Planter)



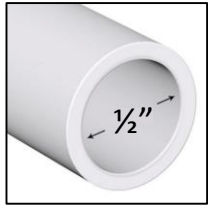
360 Degree Sprayer/Misters.
(4 Needed Per Planter)



$\frac{1}{2}$ " Female Union x $\frac{1}{2}$ " Female Union
Flat Bottom Ball Valve.
(1 Needed Per Planter)

MATERIALS LIST.

Parts that need to be purchased from your Local Hardware Store.
(not included with your kit)



1/2" PVC

Main Feeder Line



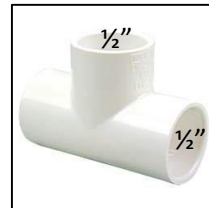
1/2" Female X 1/2" Female
90 Degree Slip Elbow

For Connecting Feeder Line Coming from Valve at the "End of the Row" to the Main Feeder Line.



1/2" Male threaded to 1/2" Female Slip 90 Degree Elbow

For Connecting Union Valve to Main Feeder Line.
(1 Needed Per Planter)



1/2" x 1/2" x 1/2"
PVC Slip Tee

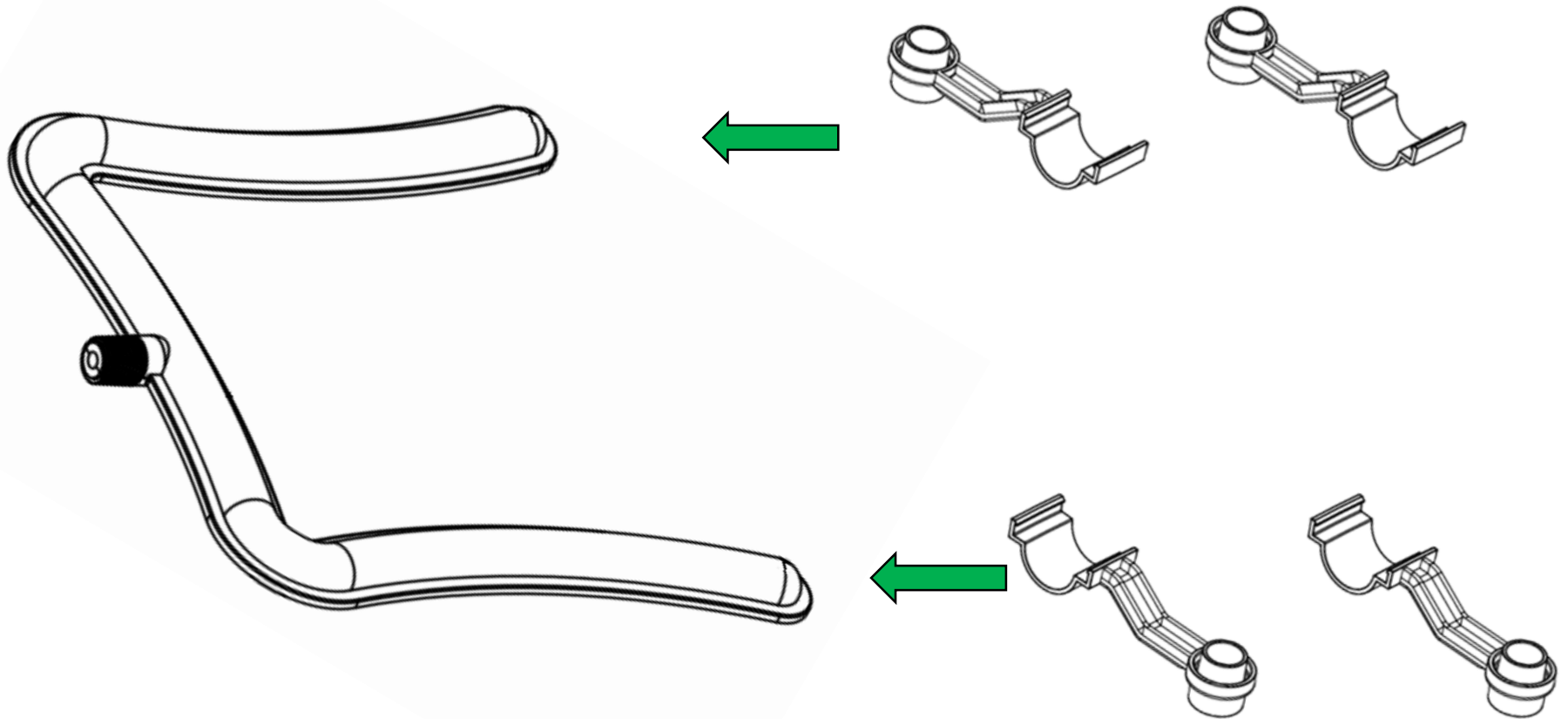
For Connecting Individual Planter Valves to Main Feeder Line.
(1 Needed Per Planter Except End of Row)



Recommended: PVC Cement for Slip Fittings only.

1

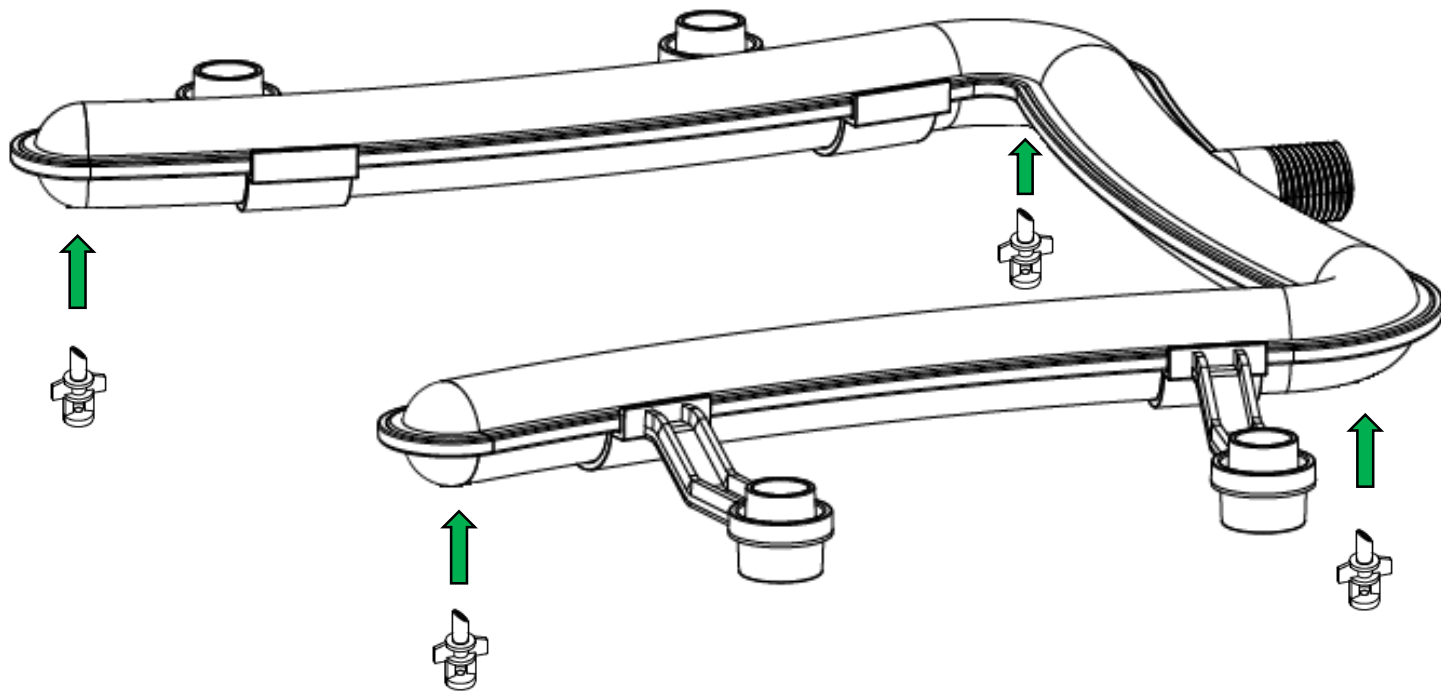
STEP 1: Slide Four (4) Irrigation Manifold Brackets onto Irrigation Manifold (2 per side).



Note: Top View (sprayer holes facing downward)

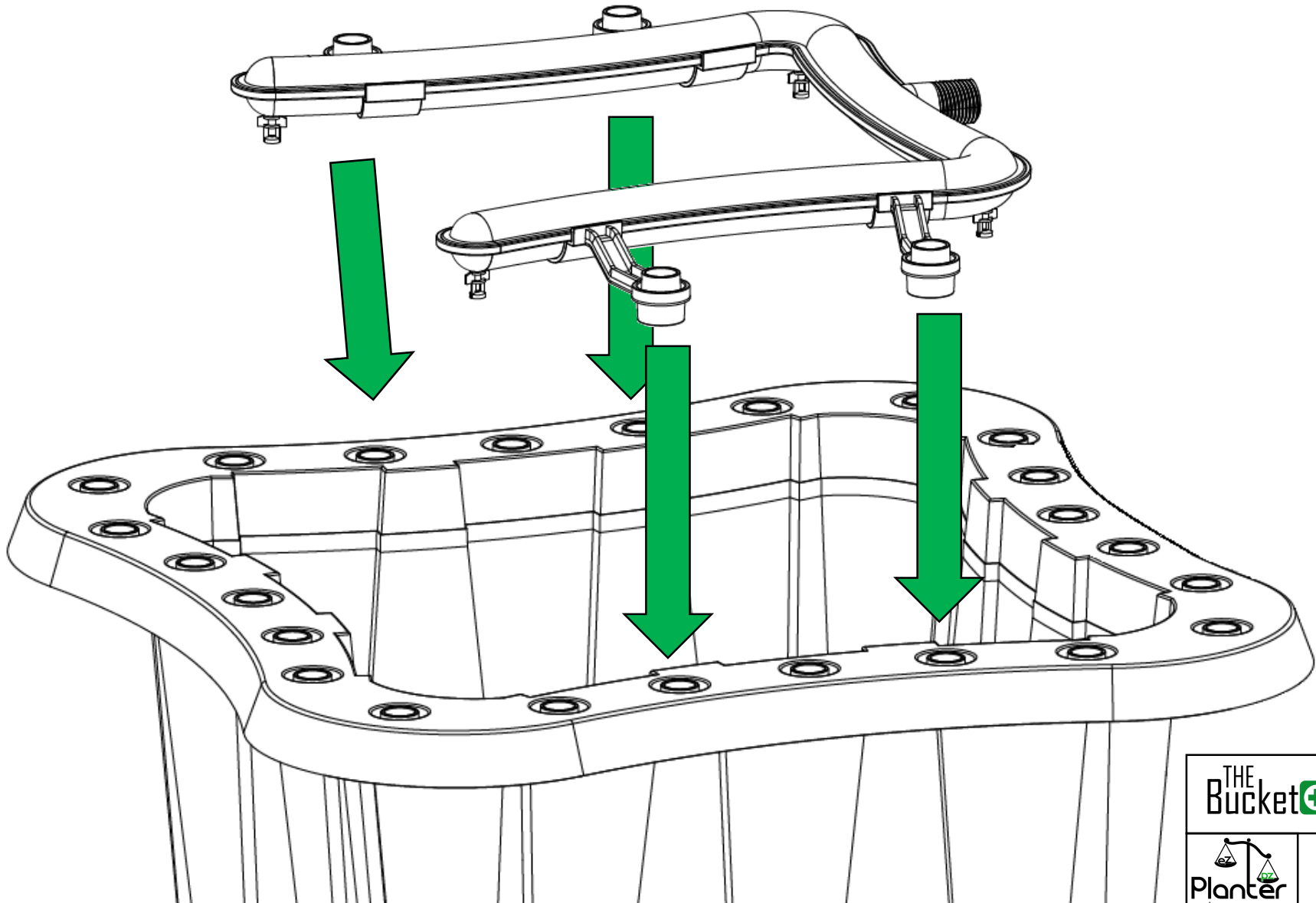
2

STEP 2: Twist and Push Four (4) 360 Degree Sprayers into the Holes at the bottom of the Manifold until they snap in.



3

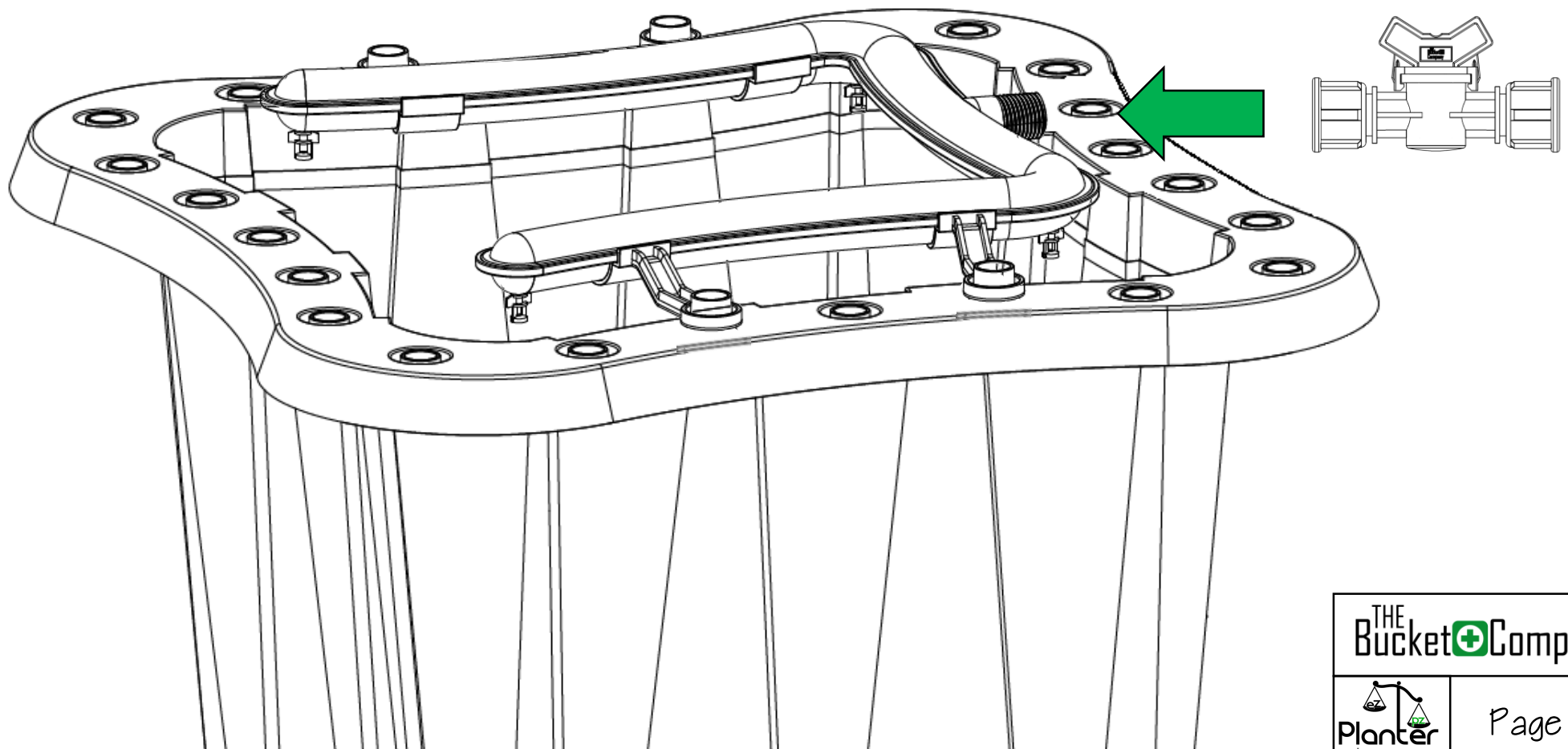
STEP 3: Align Manifold and Brackets with mounting holes on rim of planter and firmly push down.



4

STEP 4: Hand-Tighten 1/2" x 1/2" Ball Valve onto Irrigation Manifold Nipple with Red Valve Handle Facing Upwards. Make Sure Valve is on Very Tight.

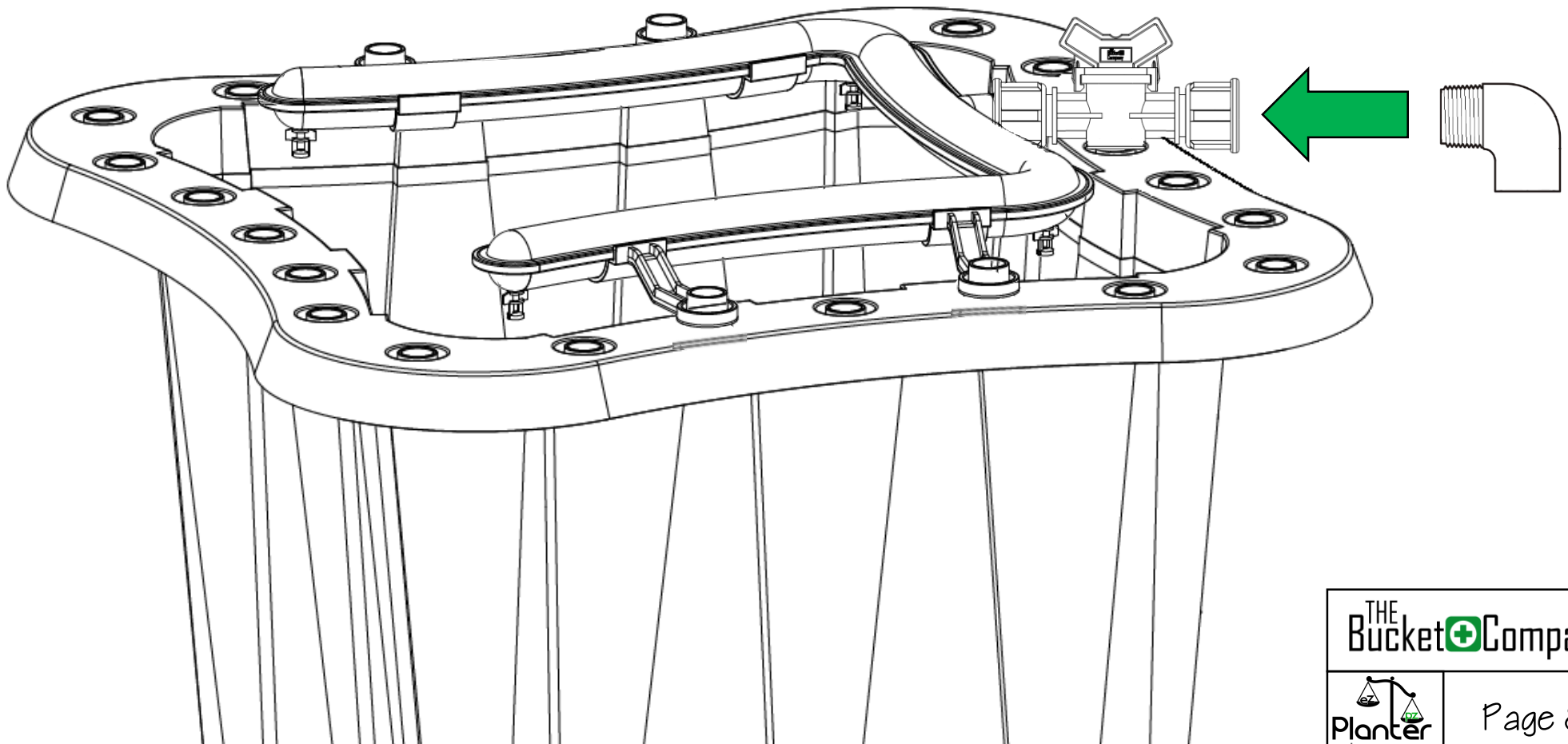
*(DO NOT USE PVC CEMENT ON VALVE FITTINGS)



5

STEP 5: Twist 1/2" Male x 1/2" slip female 90 Degree Elbow onto Valve. Make sure Union Valve is on Very Tight and Does Not Have Excessive Play.

*(DO NOT USE PVC CEMENT ON VALVE FITTINGS)

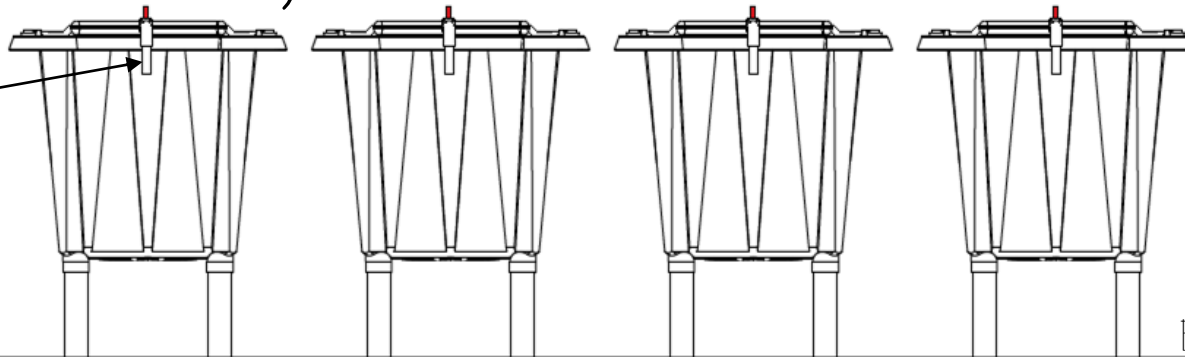


6

STEP 6: Cut pieces of 1/2" PVC to your desired length for your main feeder line and insert into elbow coming from valve. (We recommend 3-4").

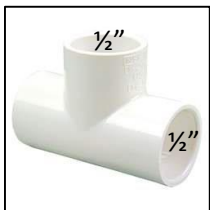


1/2" PVC

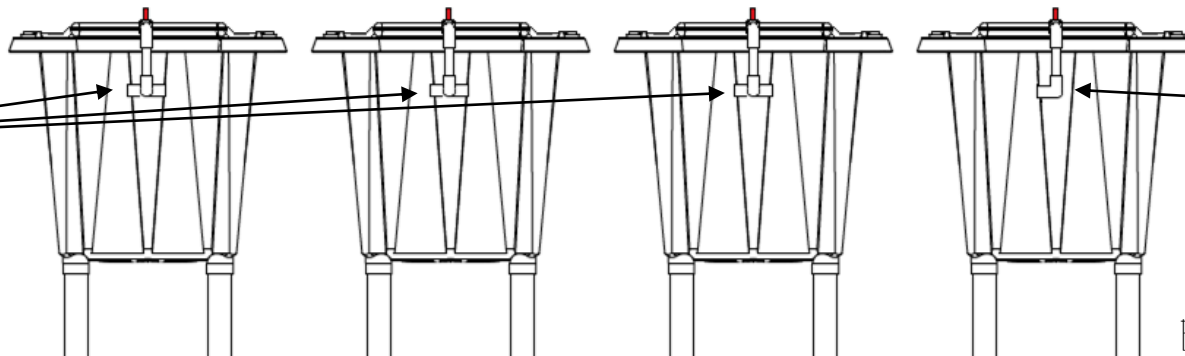


7

STEP 7: Install 1/2" x 1/2" 90 Degree Elbow on Planter at the End of the Row with inlet facing the water source. Install 1/2" x 1/2" x 1/2" Slip Tees on the Remaining Planters.



1/2" x 1/2" x 1/2"
PVC Slip Tee



1/2" Female X 1/2" Female
90 Degree Slip Elbow

PRO TIP: MEASURE TWICE, CUT ONCE!

THE
Bucket+Company™



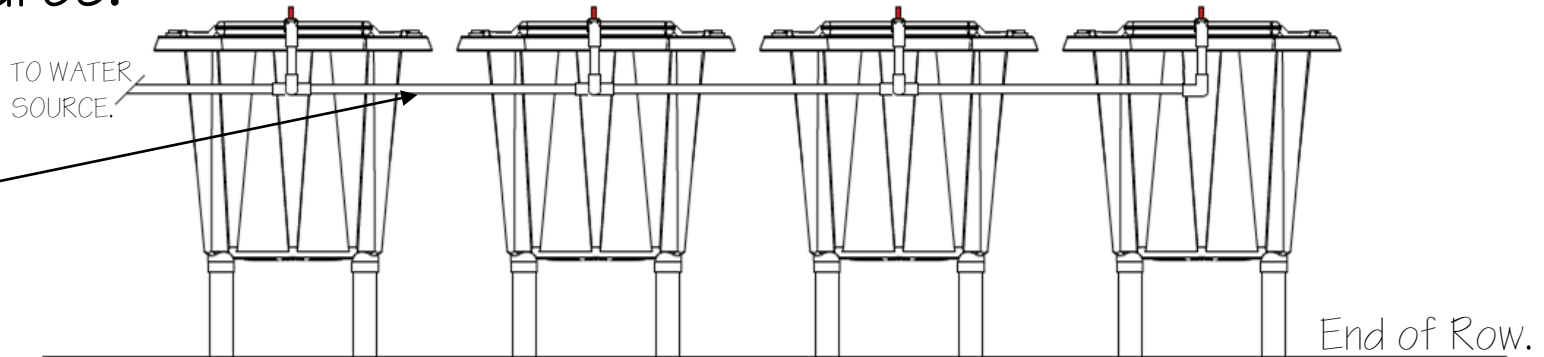
Page 9.

8

STEP 8: Measure and Cut 1/2" PVC to Length, Connect the Elbow at the End of the Row to the Tee's and the Tee's to Each-other. Run 1/2" PVC from Last Planter to your Water Source.

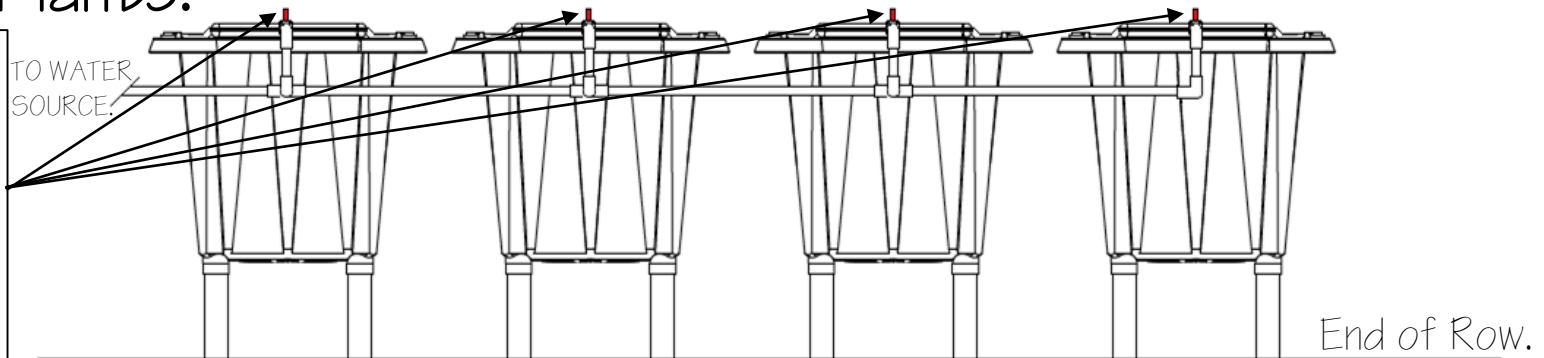
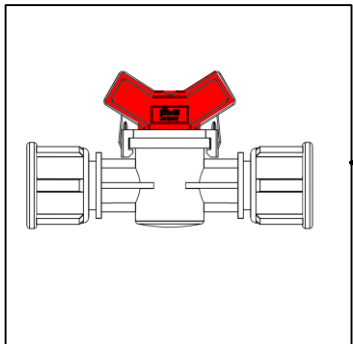


1/2" PVC



9

STEP 9: After you have Connected your System to it's Water Source. Regulate Valves to Ensure Equal Pressure to All Plants.



More help and information available online at
www.thebucketcompany.com