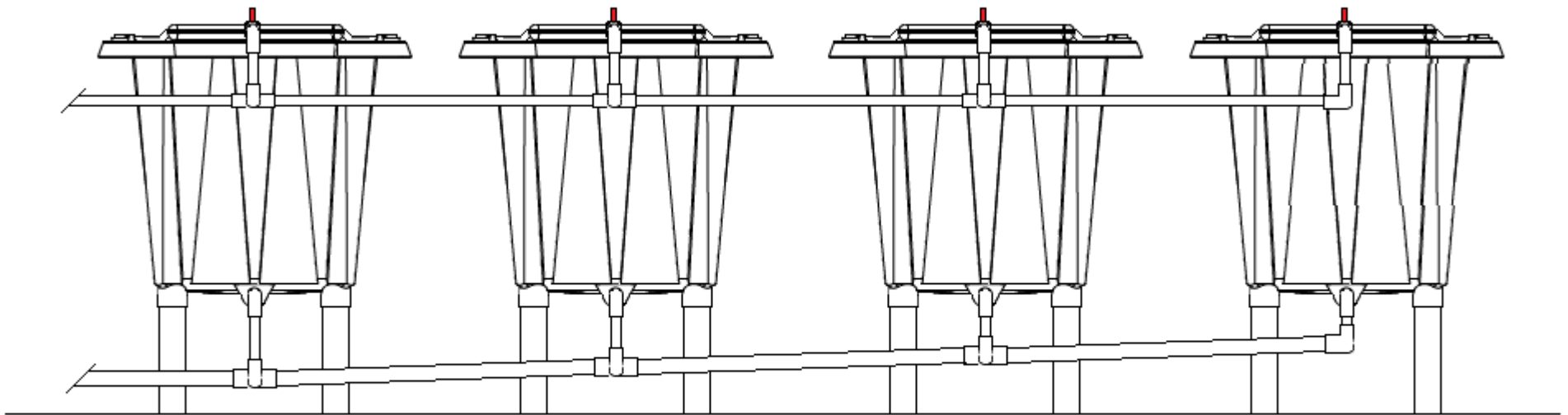


# THE Bucket+Company™

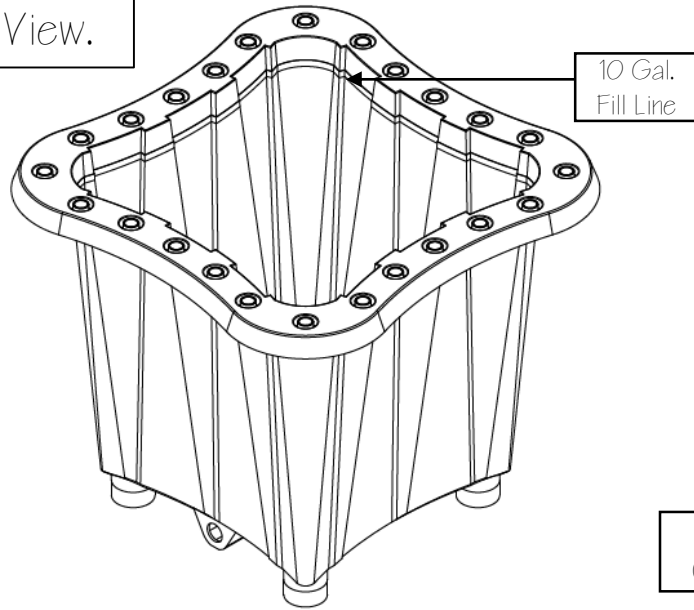
## The Ez-Pz Planter™ Product Specifications



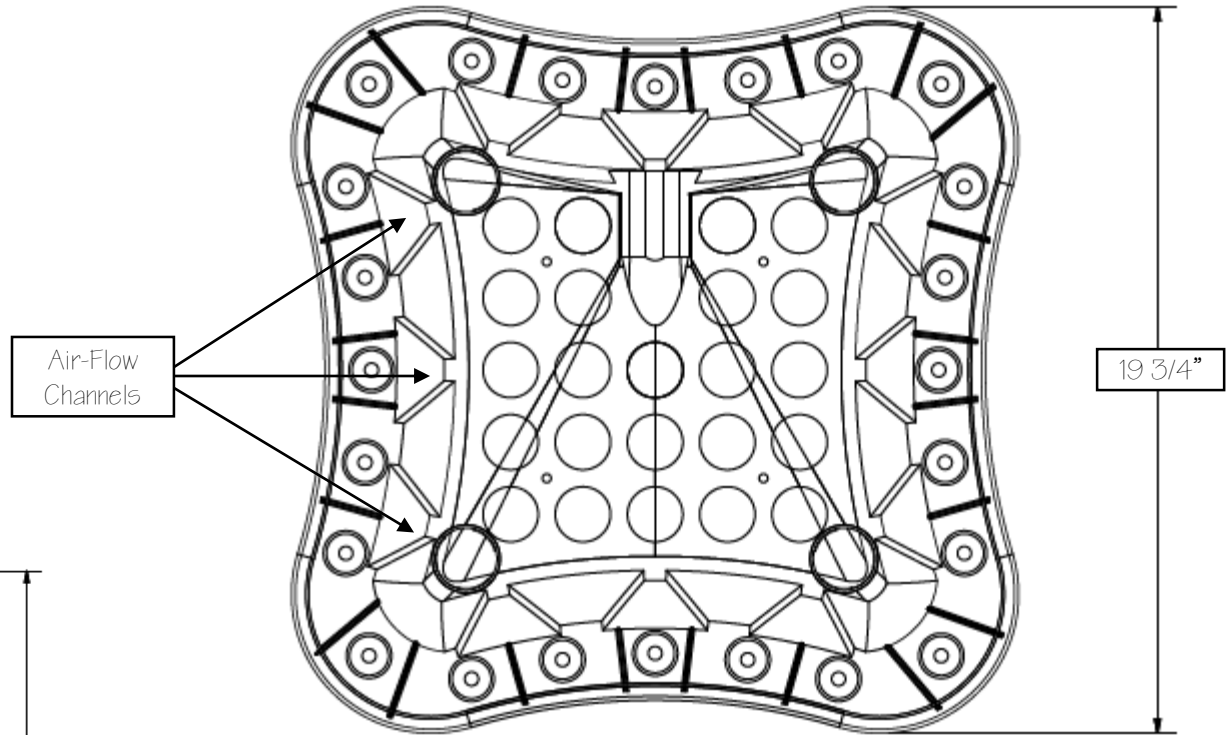
# THE EZ-PZ PLANTER™

(10 Gallon Planter)

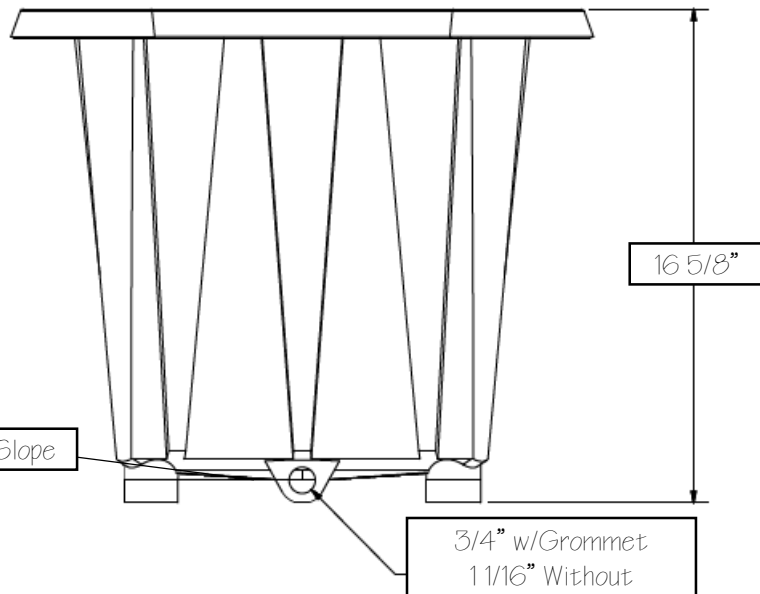
3/4 View.



Top View.



Front View.



Material: 1<sup>st</sup> Generation Poly-Propylene

Thickness: 3mm

Weight: 5lbs.

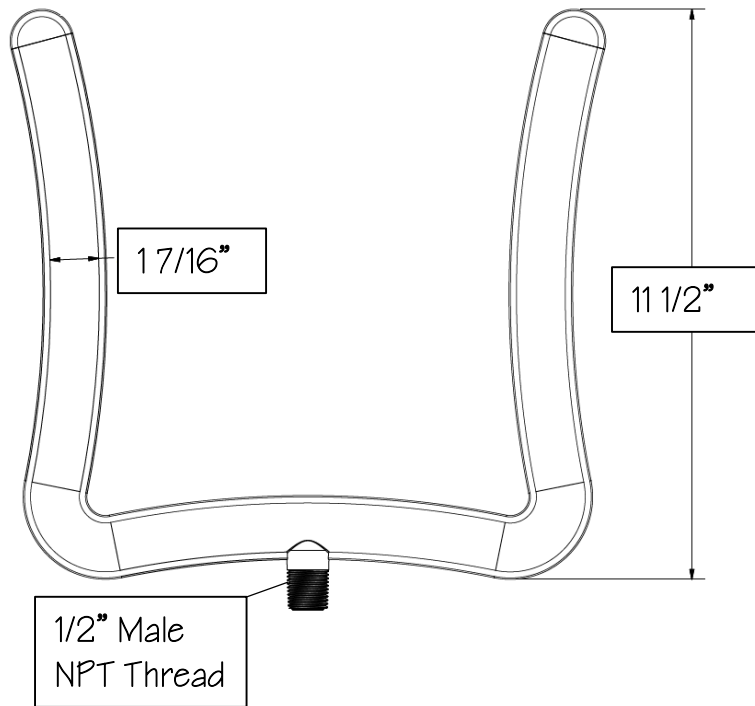
PART No. : EZ10GBP (GORILLA BLACK)

THE Bucket+Company™

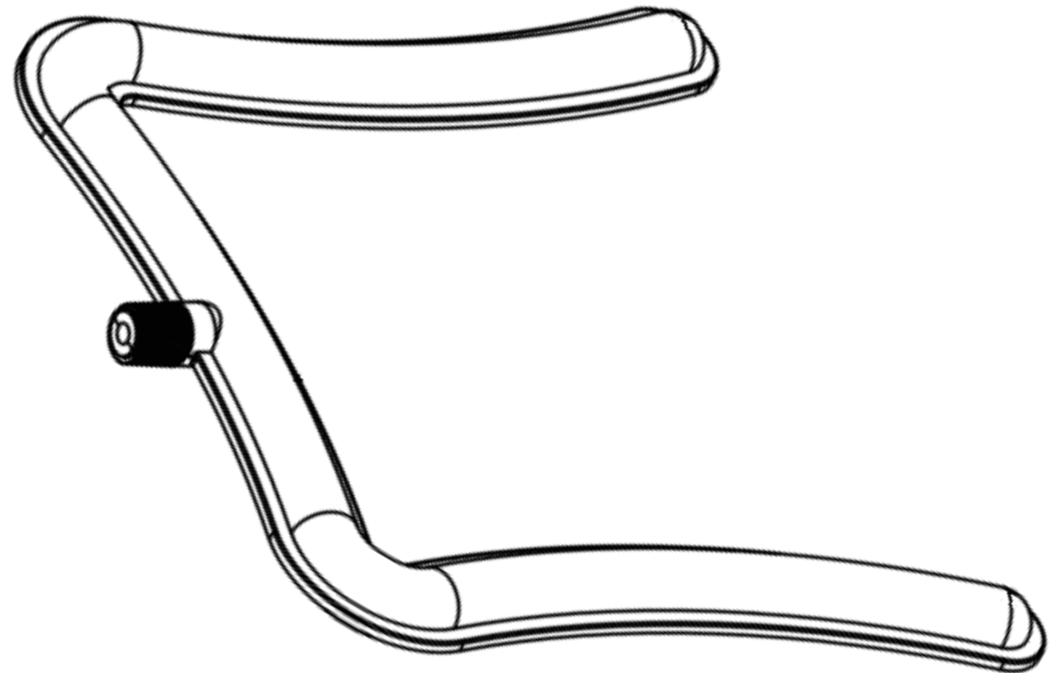


Page 2.

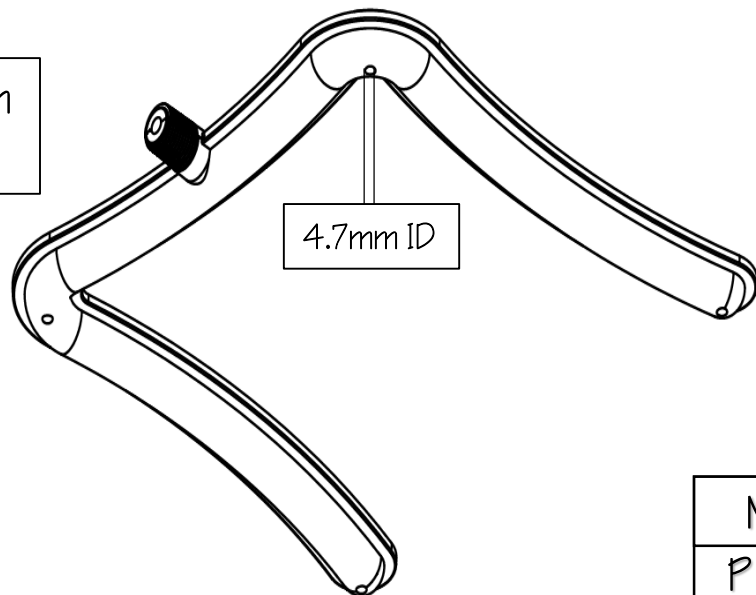
# IRRIGATION MANIFOLD.



Top View.



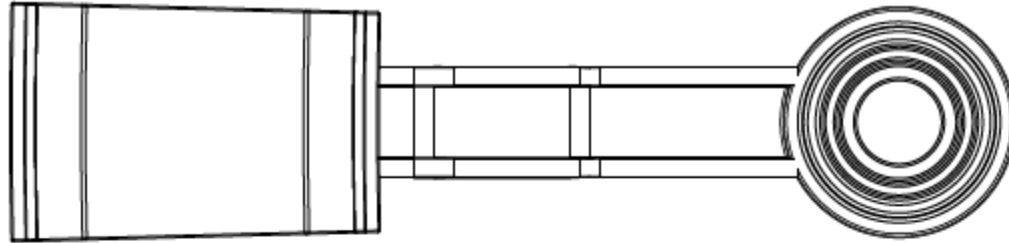
Bottom View.



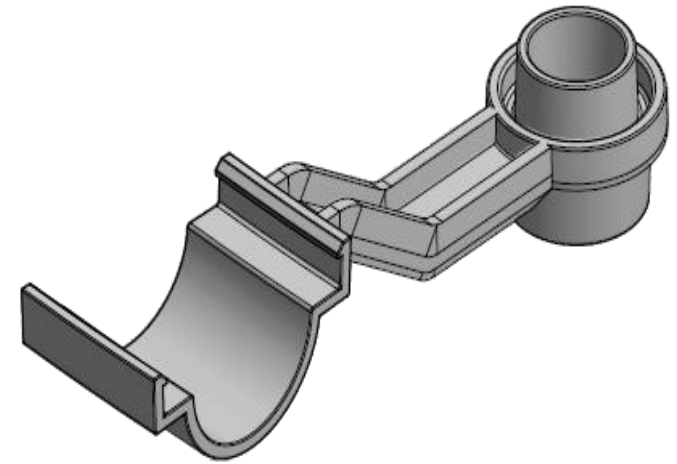
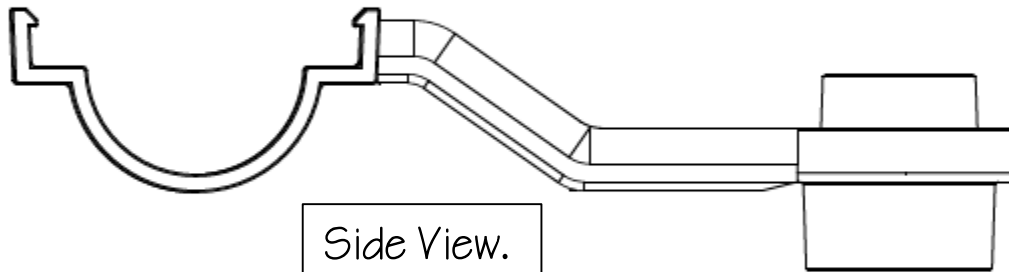
Material: 1 <sup>st</sup> Generation ABS Plastic		THE Bucket+Company™
PSI Rating: 50psi	Weight: 6.6 oz.	
PART No. : EZ10IM (BLACK ONLY)		Planter

# IRRIGATION MANIFOLD BRACKETS.

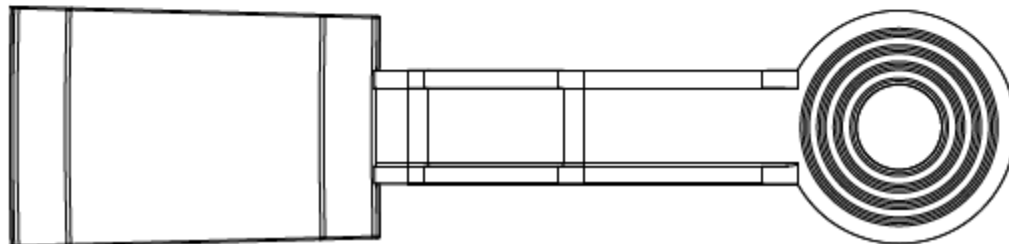
Top View.



Side View.



Bottom View.



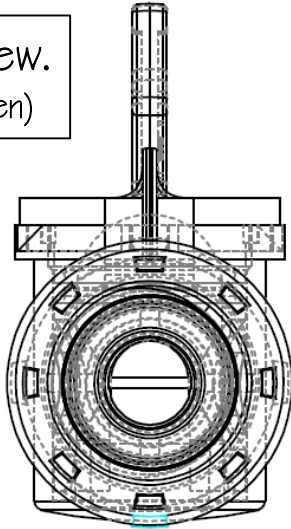
Material: 1<sup>st</sup> Generation ABS Plastic  
Available Black Only | Weight: 6 oz.  
PART No. : EZ10IMB (BLACK)

THE Bucket+Company™

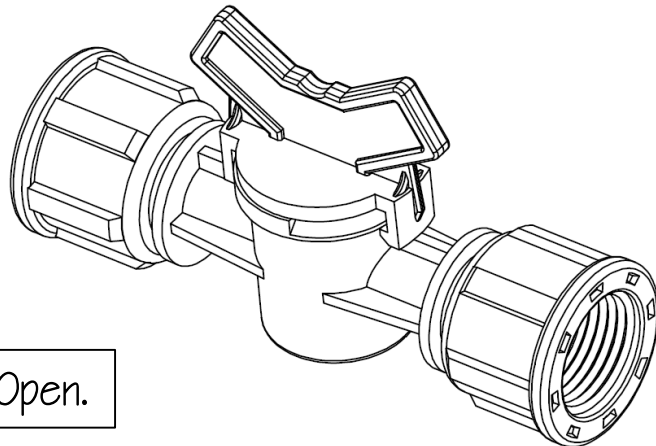
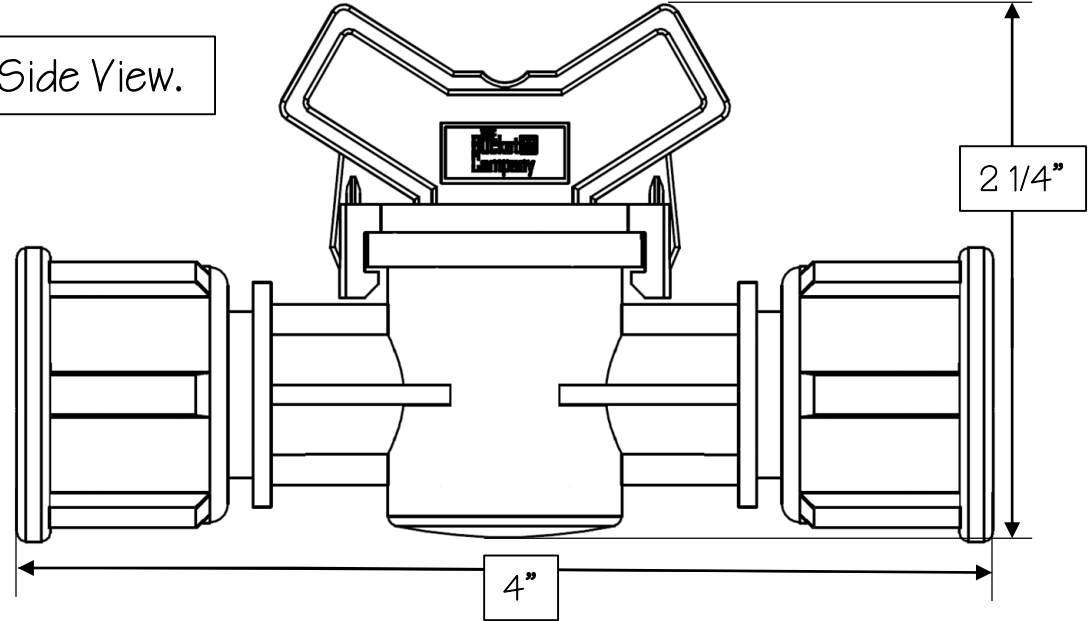


# 1/2" FEMALE X 1/2" FEMALE UNION VALVE.

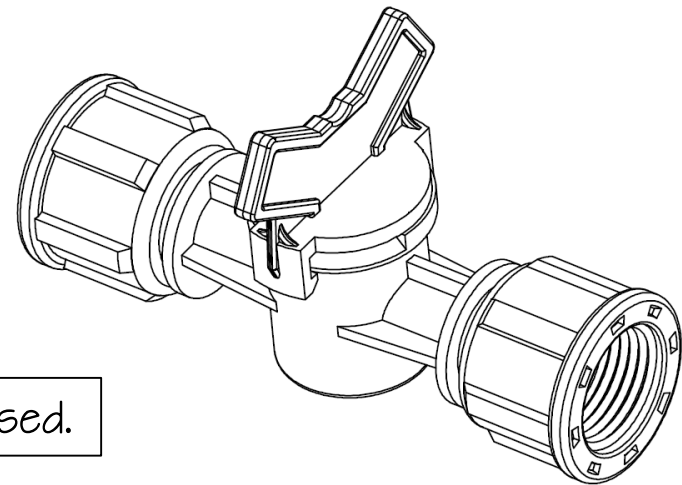
Inside View.  
(Valve Open)





Side View.



Open.

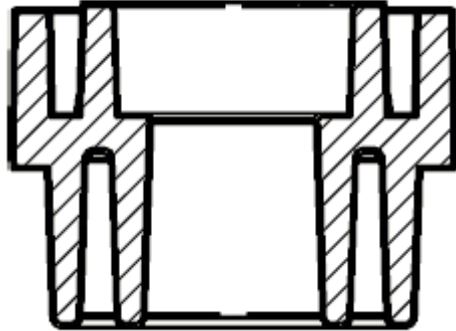


Closed.

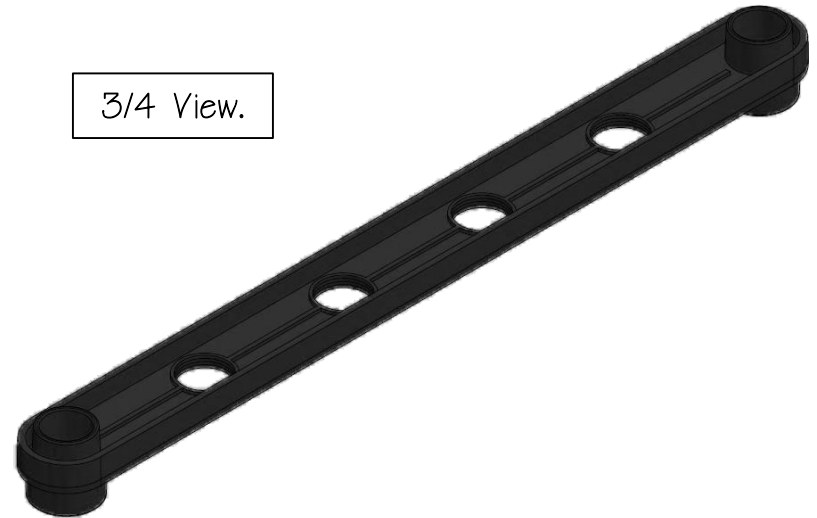
Material:		
PSI Rating: 180psi	Weight: 1.6 oz.	
PART No. : EZ12X12UV		
		Page 5.

# BRANCH SPREADER ARMS.

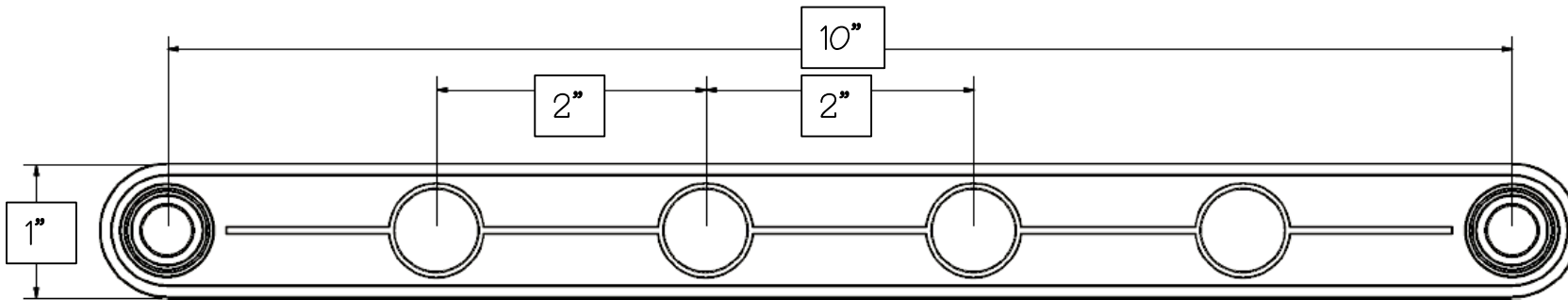
Cross-Section.



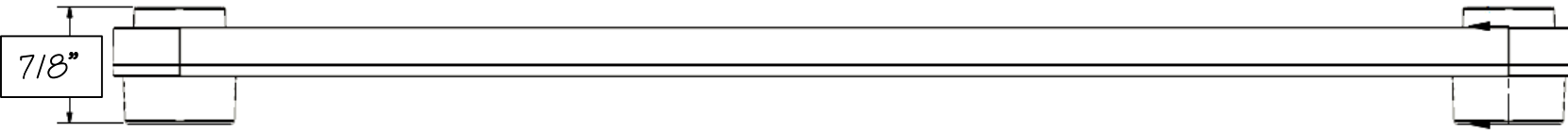
3/4 View.



Top-View.



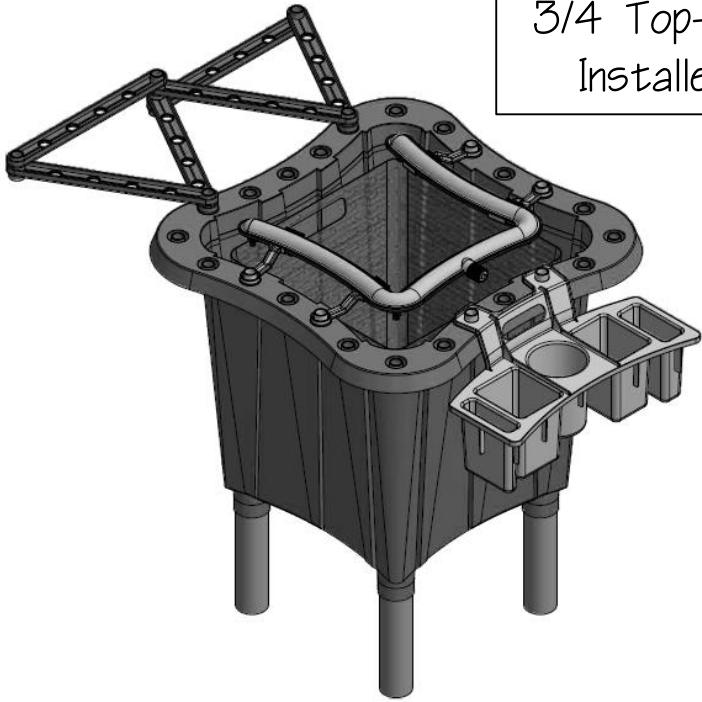
Side-View.



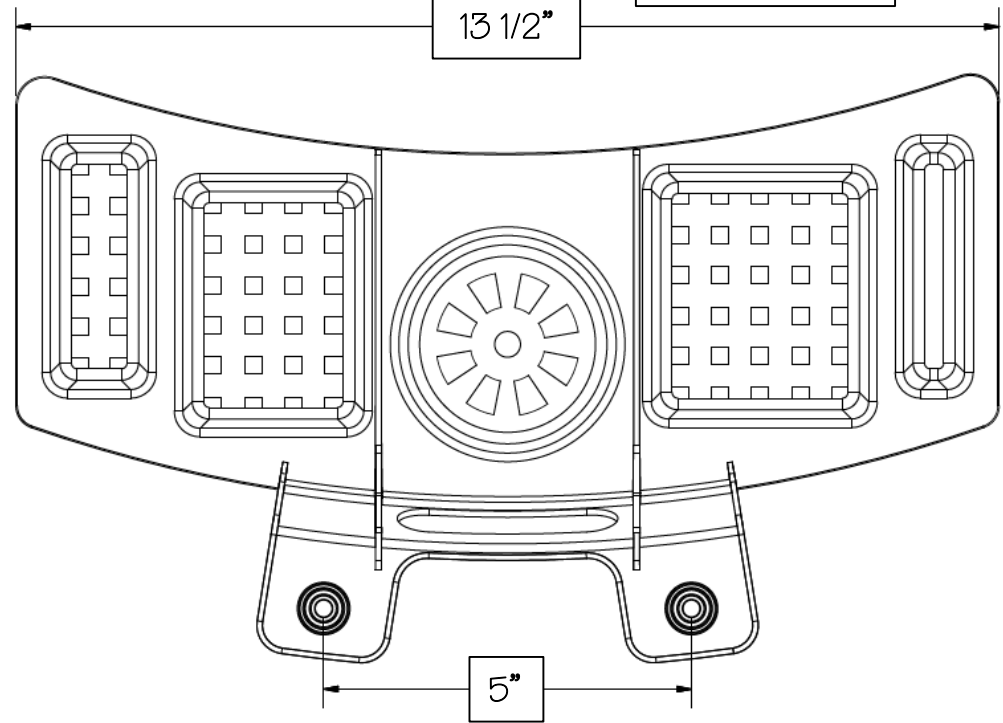
Material: 1 <sup>st</sup> Generation PP, 20% Glass		THE Bucket+Company™
Available Black Only	Weight: 1.4oz. ea	
PART No. : EZBSA		Planter
		Page 6.

# WORKER STATION.

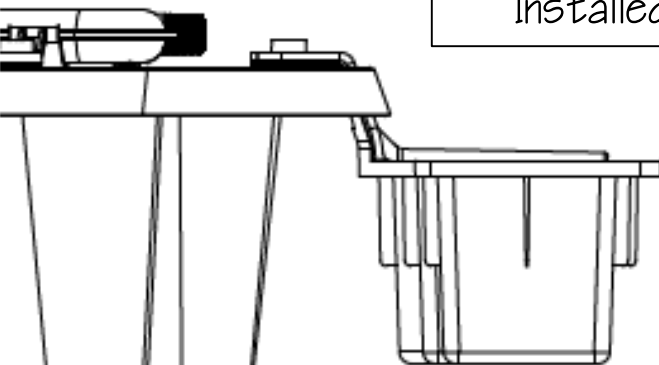
3/4 Top-View  
Installed.



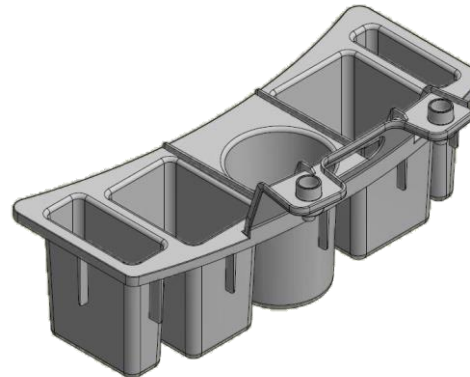
Top-View.



Side-View  
Installed.



Mounting  
Tab/Rear-View.



Material: 1<sup>st</sup> Generation PP

Available Black Only | Weight: 12.3 oz.

PART No. : EZ10WS

THE Bucket+Company™



Page 7.