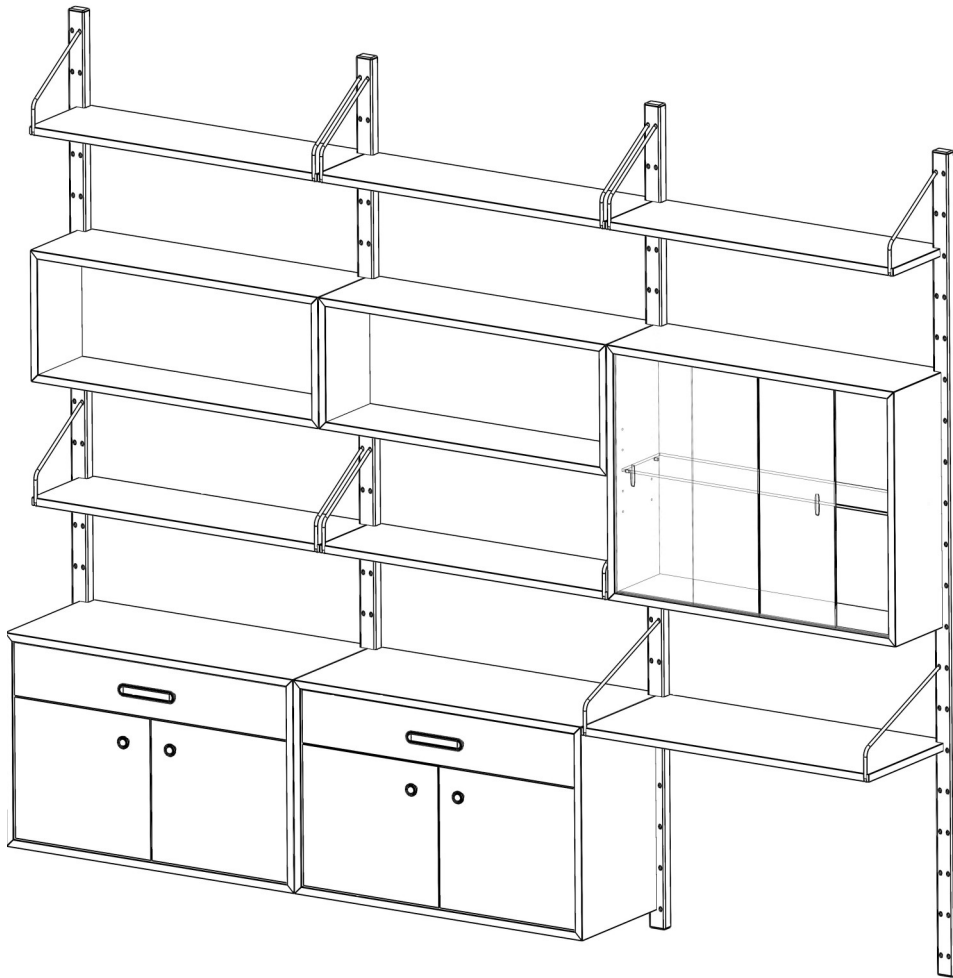


FURNITURE SYSTEMS

Wall 1 Price List

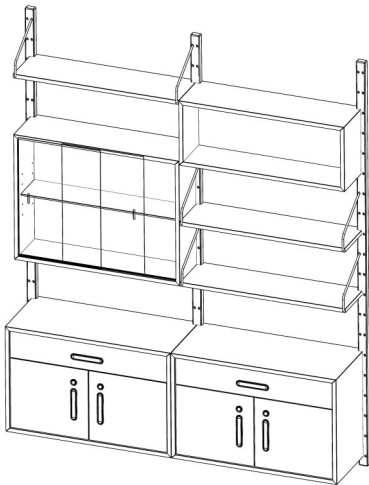


07563 654742

sales@furniture-systems.co.uk

Please find below prices for potential layouts along with full component price list.

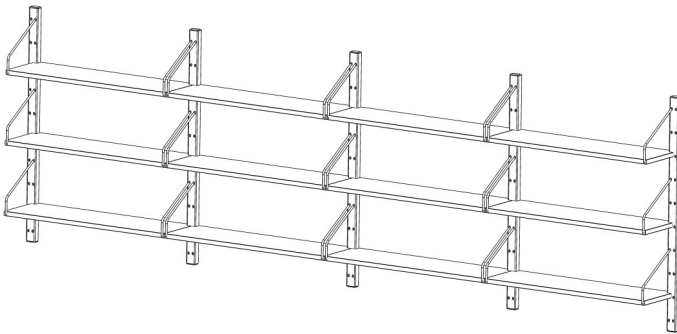
Please contact David on david@furniture-systems.co.uk for assistance with compiling prices for desired configuration.



(H) 2M x (W) 1.6M

£7600.56 Inc VAT

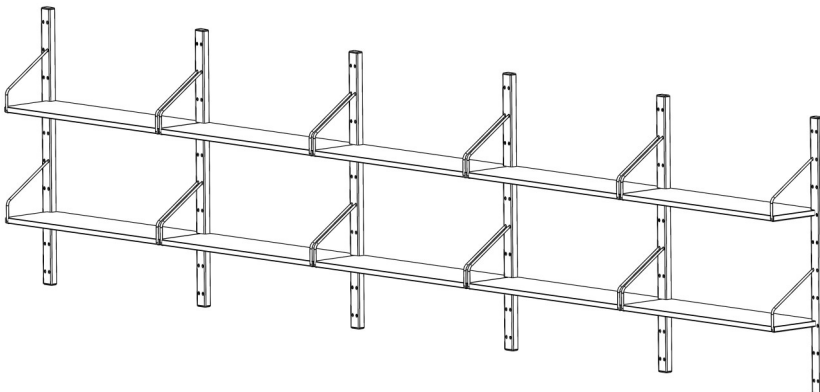
£6333.80 Ex VAT



(H) 1M x (W) 3.2M

£4303.80 Inc VAT

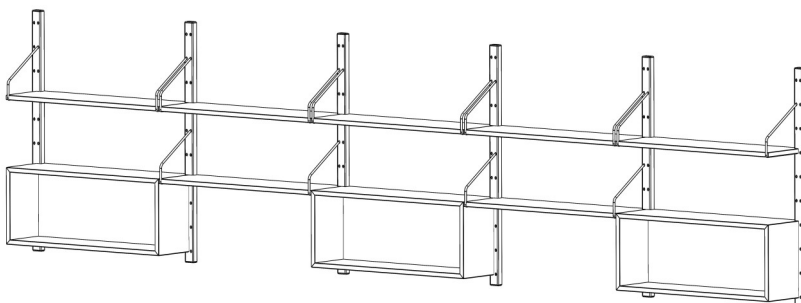
£3586.50 Ex VAT



(H) 1m x (W) 4m

£4087.44 Inc VAT

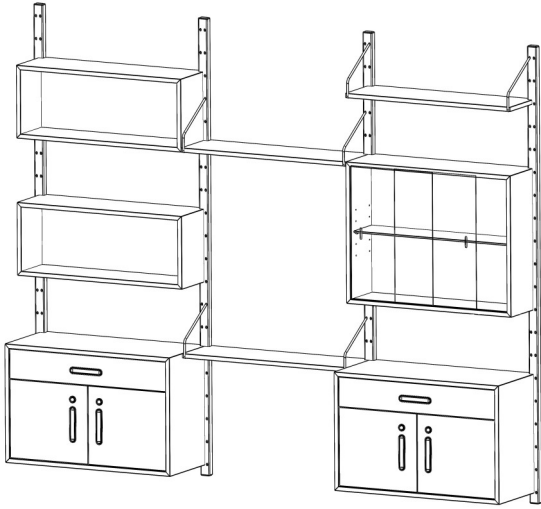
£3406.20 Ex VAT



(H) 1M x (W) 4M

£6119.64 Inc VAT

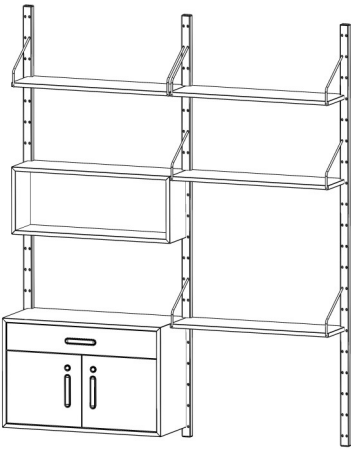
£5099.70 Ex VAT



(H) 2M x (W) 2.4M

£8767.32 Inc VAT

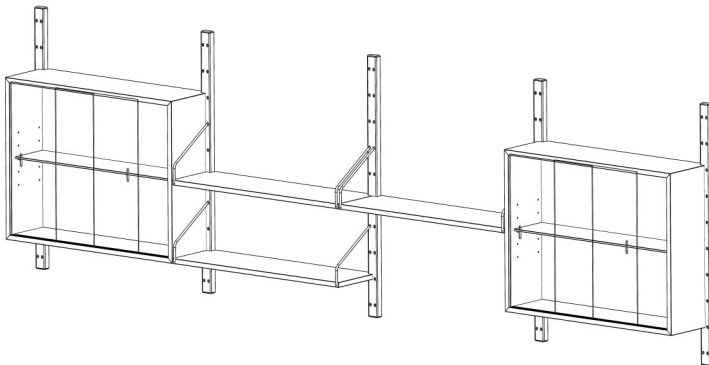
£7306.10 Ex VAT



(H) 2M x (W) 1.6M

£4868.42 Inc VAT

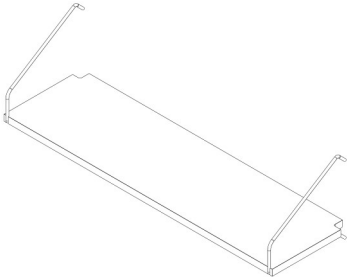
£4057.01 Ex VAT

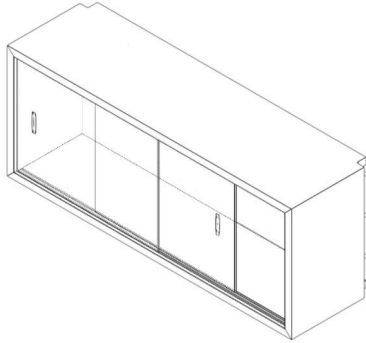

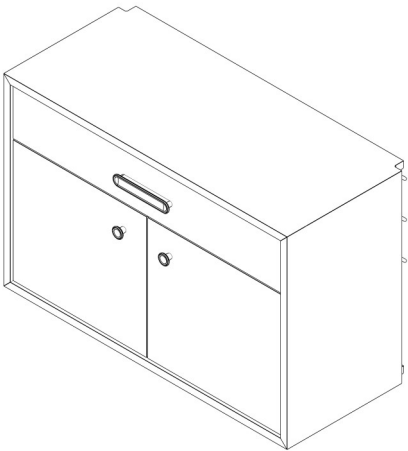
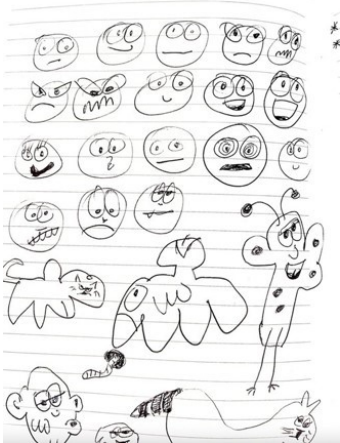


(H) 1M x (W) 3.2M

£4891.08 Inc VAT

£4075.90 Ex VAT

		Options	Price Inc VAT
Wall rail 2000mm tall		Ash stained to match cabinet veneer	318.36
Wall rail 1000mm tall		Ash stained to match cabinet veneer	273.24
Standard shelf 800 x 231mm with 2 x steel hangers		Shelf veneer of your choice Hanger colour, black	244.80
Laptop shelf 800 x 350mm with 2 x steel hangers		Shelf veneer of your choice Hanger colour, black	250.22
Box 800 x 318 x 231mm with removable back		Box veneer of your choice Back Panel RAL Colour or veneer	922.20

		Options	Price Inc VAT
Box 800 x 318 x 231mm with Glass Sliding Doors		Box veneer of your choice Doors in clear glass Back Panel RAL Colour or veneer	1143.84
Box 800 x 618 x 231mm with Glass Sliding Doors		Box veneer of your choice Shelf in glass or veneered ply Doors in clear glass Back Panel RAL Colour or veneer	1395.24
Cupboard 800 x 518 x 350mm, 2 Doors and 1 Drawer		Box veneer of your choice Doors and Drawers veneer of your choice Back Panel RAL Colour or veneer	1759.92
Hospital Rooms Artwork Replacement back panel with Hospital Rooms artwork to suit 800 x 318 boxes		Please call or email us for the latest artwork offerings	250.00

Standard Veneer Finishes

American Walnut



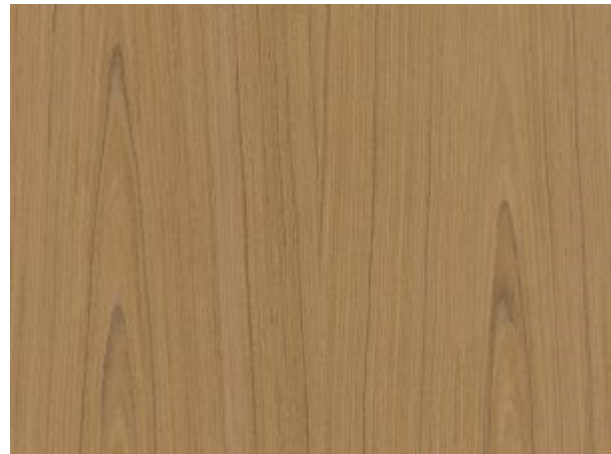
Ebony



Rosewood



Teak



Wenge



We can provide any finish you require. Please contact us for details of our bespoke service.