



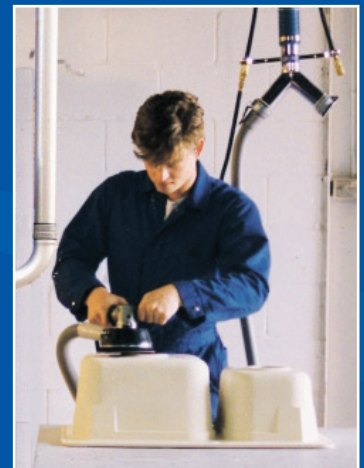
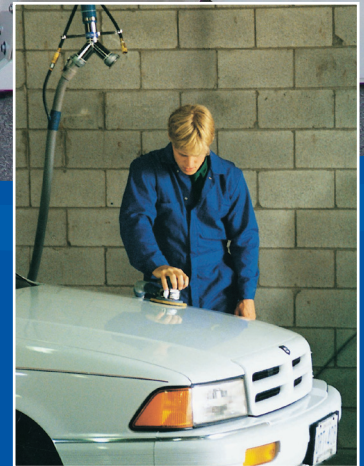
HIGH PERFORMANCE CENTRAL VACUUM SYSTEMS

EXPERIENCE THE ULTIMATE IN DUST CONTROL TECHNOLOGY

Eurovac's powerful vacuum pumps and cyclone separators remove virtually all sanding dust at the source - leaving you with a cleaner, healthier work environment.

BENEFITS:

- Reduce health risks from harmful airborne dust and fumes
- Dust extraction systems extend the life of paper and increases savings 30-50%
- Reduce possibility of dust contaminating painting areas, cutting time and expense of cleanup labour
- Compliance with CCST & OSHA

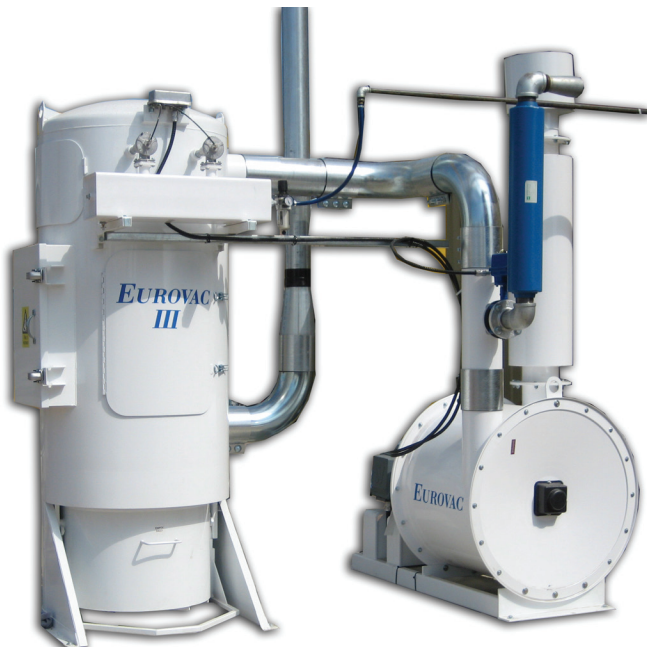
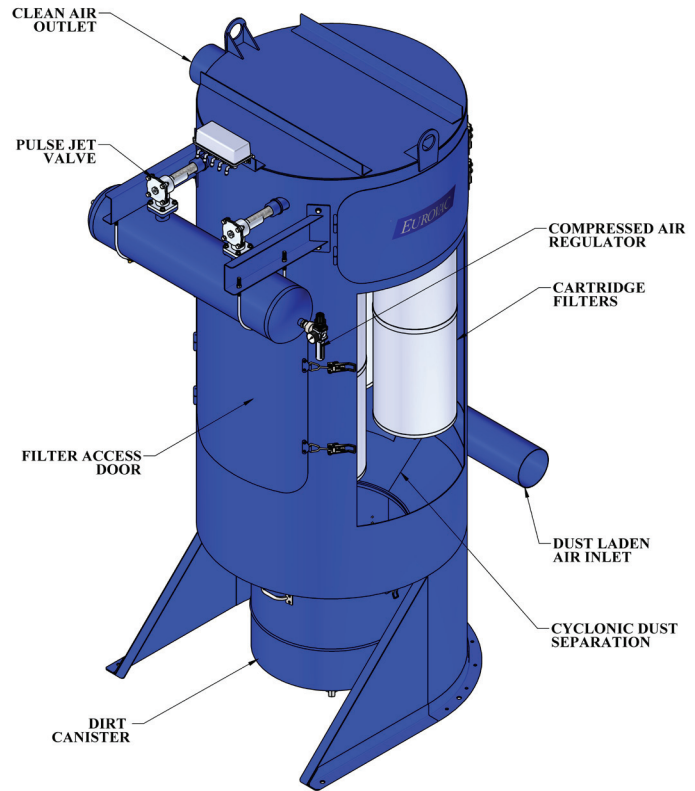


EUROVAC SUPERIOR FILTRATION

All of our systems use a separator designed to remove debris and particles from the air stream before they reach the exhauster, which is vital in protecting the pump from damage. It also prevents contaminants from being released back into the atmosphere.

For removing sanding dust, we use a combination of cyclonic filtration and secondary polyester cartridge filters with automatic compressed air pulse jet cleaning, which permits continuous cleaning while the system is up and running. This is far superior to the automatic shakers often found on bag house separators which can only clean the filters when the system is shut down. This also applies to manual shakers found on many bag house separators, which require a technician to physically shake or operate a handle in order to clean the filters.

In situations where water would need to be picked up by the dust extraction system, we have a range of wet collection pre-separators available. In situations where explosive materials need to be picked up, such as aluminum, wet mix separators are also available.



Eurovac III System

EUROVAC III CENTRIFUGAL MULTI-STAGE PUMP SYSTEM

- Ideal for production shops with 10 to 40+ users sanding at the same time
- 10 to 75 HP centrifugal multi-stage pump can be set at various vacuum levels from 5" HG (68" water column) for short pipe runs to 10" HG (135" water column) to offset friction losses on long pipe runs
- Large aluminum impellers and fabricated housings result in a vacuum pump that is far more efficient than competitive products (which typically have smaller steel impellers and sections held together with tie-rods)
- Comes equipped with cartridge filters, automatic compressed air pulse jet cleaning and primary cyclonic separation
- Our industrial grade induction motors have a 20,000 hour rating

EUROVAC I REGENERATIVE BLOWER SYSTEM

- Ideal for 4-users, 6-users and 8-users sanding at the same time
- 5HP, 10HP and 20HP, 220, 440 or 575 volt three-phase induction motors and regenerative blowers available
- The system can be set up via microswitch to start and stop
- Pumps and separators are designed to run continuously with little or no maintenance required.
- Comes equipped with cartridge filters, automatic compressed air pulse jet cleaning and primary cyclonic separation
- Our induction motors have a 20,000 hour rating



Eurovac I System

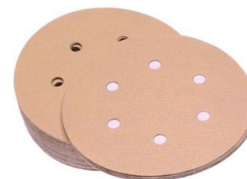


Eurovac II System

EUROVAC II SYSTEM

- Economical alternative to the Eurovac I System, either for 2-users or 4-users sanding at the same time
- Comes in a 2.5HP and a 5HP model
- Filtration consists of a primary cyclonic separator and a final 8" x 16" cartridge filter (making it superior to any portable)
- Comes equipped with manual pulse jet cleaning and optional upgrade to the EII 2.5HP and a 20-gallon collection canister
- The system can be set up via microswitches to start and stop automatically, maximizing operating life of the brush motors (which are rated at 3,500 hours and are inexpensive to replace, if required)
- Longer duty cycle brushless motors (rated at 10,000 hours) are available as an upgrade for both models

VACUUM HAND TOOLS & SANDPAPER/BACKUP PADS



DROPS AND PIPE FITTINGS

Eurovac systems are designed for convenient use with vacuum drops (or work stations) and can be placed exactly where you need them for increased productivity. For safety and aesthetic purposes, airlines can be run down to work stations with vacuum hoses fitted to them. This keeps airlines off the floor making it easier for shop technicians to operate the system. Workstations can also be equipped with microswitches so that the system turns on and off automatically.

Metal tubing is superior to PVC or ABS piping as it has long radius bends and does not generate static electricity. All of our systems use graduated 14 to 16 gauge steel tubing secured with heat shrink sleeves. The system is also graduated to maintain airflow at approximately 4500 cubic feet per minute.



Single Wall-Mounted or Hanging Drops



Double Wall-Mounted or Hanging Drops



Multiple user system designed for continuous use



Articulated Booms & Pendant Drops with dual inlet, integrated compressed air and 110v electric

***For every need and budget,
trust the central vacuum specialists.***

For more information, contact Industrial Air Systems:



Phone: (616) 893-4263
Email: info@iasairsystems.com
Web: www.iasairsystems.com