



PLATFORM SYSTEMS

Catalog

October 2011

Steeldeck[®], Inc.

3339 Exposition Place | Los Angeles, CA 90018 | Tel: 323-290-2100 | Fax: 323-290-9600

www.steeldeck.com

DECKS

Standard 1

Decks – Specials

Triangle Deck 2

Triangle Decks 4'x8' Left & Right Hand... 3

Low Profile Deck..... 4

4' Round Deck..... 5

3' Quadrant Deck 6

4' Quadrant Deck 7

5' Quadrant Deck 8

6' Quadrant Deck 9

16' Diameter Deck..... 10

20' Diameter Deck..... 11

24' Diameter Deck..... 12

ACCESSORIES

Legs and Caster Sleeves..... 13

Legs with Welded-On Coupler 14

Leg End Caps 15

Leg Rack..... 16

Ramp..... 17

Guardrails 18

Low Height Guardrails 19

Guardrail Backplate..... 20

Moveable Handrail Uprights..... 21

Guardrail Rack 22

7 Step Adjustable Stairs 23

5 Step Adjustable Stairs 24

3 Step Adjustable Stairs 25

Box Tread 6" and 12" 26

1" Box Tread Lifter 27

4' x 8' Double Skin..... 28

Car Ramps 29

12" Caster 30

8" Swivel Caster 31

8" Swivel Caster with Screw Jack..... 32

6" Swivel Caster 33

6" Swivel Caster with Foot Brake 34

Caster Sleeve..... 35

Moveable Corner Posts 36

Leg to Leg Clamp 37

"Oops" Clamp 38

Inset Post 39

Hook to Connect Platform Leg to Truss.. 40

Screw Jack 41

Swivel-Base Screw Jack..... 42

Adjusting Foot 43

Bar Grating (Aluminum)..... 44

Packing 45

FITTINGS

Elbow – Hollaender Fitting 46

Adjustable Elbow or Tee 47

Fixed Clip 48

Swivel Clip..... 49

"X" Braces 50

Brace Joiner 51

M10 x 60mm Bolts 52

Joint Plates..... 53

Left/Right Hand Couplers 54

TOOLS

Chain Clamp 55

Ratchet Straps 56

Supertool 57

Torque Wrench 58

Creeper..... 59

HANDLING

Curb Plates 60

Monkey Chariot 61

Leg Rack Caster 62

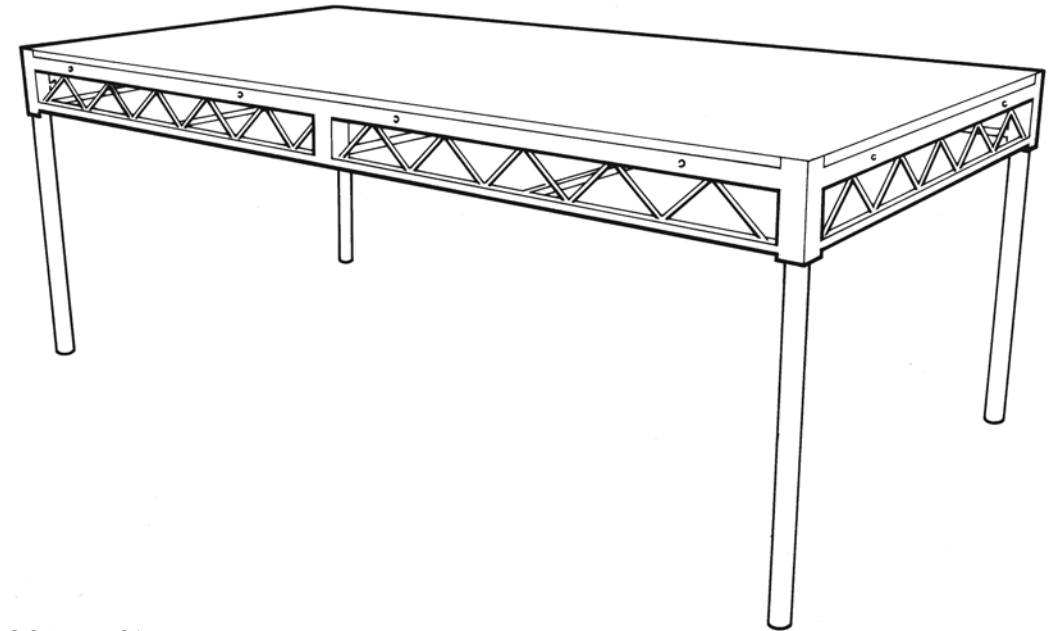
Corner Caster 63

Pallet Rack 64

Shrink-Wrap..... 65

Stacking Blocks 66

Human Being..... 67



DESCRIPTION:

Standard Steeldeck® platform constructed using steel truss frame with high quality 3/4" plywood tops. Tops are insulated from frames to reduce noise and vibration. Standard deck will accept 4 legs of 1 1/2" Schedule 40 steel pipe. Legs are held in place by a hand knob. Decks are connected to each other by bolting through pre-drilled holes along each edge.

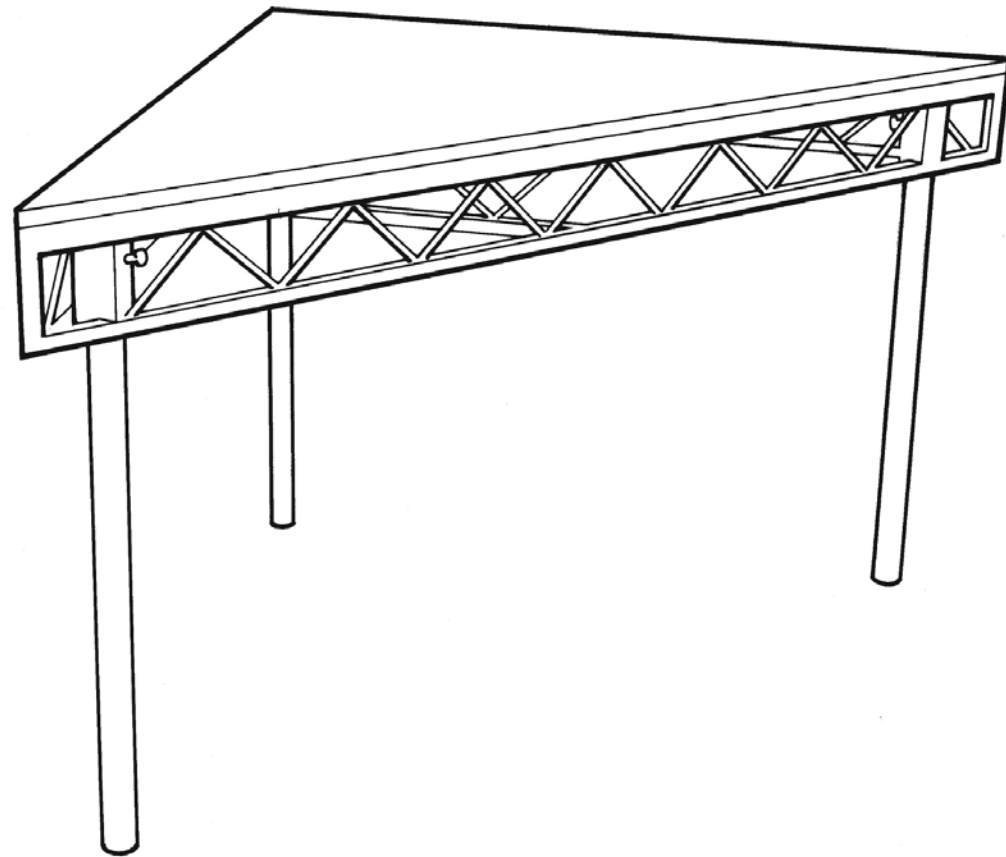
TECHNICAL SPECIFICATIONS:

DECK SIZE	LEG POSTS	CARRYING WEIGHT	LOAD CAPACITY
4' x 8'	4	155 lbs.	4000 lbs.
3' x 8'	4	125 lbs.	3000 lbs.
2' x 8'	4	90 lbs.	2000 lbs.
4' x 6'	4	125 lbs.	3000 lbs.
3' x 6'	4	110 lbs.	2250 lbs.
2' x 6'	4	80 lbs.	1500 lbs.
4' x 4'	4	80 lbs.	2000 lbs.
3' x 4'	4	68 lbs.	1500 lbs.
2' x 4'	4	50 lbs.	1000 lbs.
3' x 3'	4	56 lbs.	1126 lbs.
2' x 3'	4	46 lbs.	750 lbs.

RELATED ACCESSORIES:

- Legs and Couplers
- Leveling Screw Jacks
- Casters
- Guardrails
- Step Units
- Car Ramps
- Bracing

Triangle Deck



DESCRIPTION:

Steeldeck® platform constructed using steel truss frame with high quality 3/4" plywood tops. Tops are insulated from frames to reduce noise and vibration. Standard deck will accept 3 legs of 1 1/2" Schedule 40 steel pipe. Legs are held in place by a hand knob. Decks are connected to each other by bolting through pre-drilled holes along each edge.

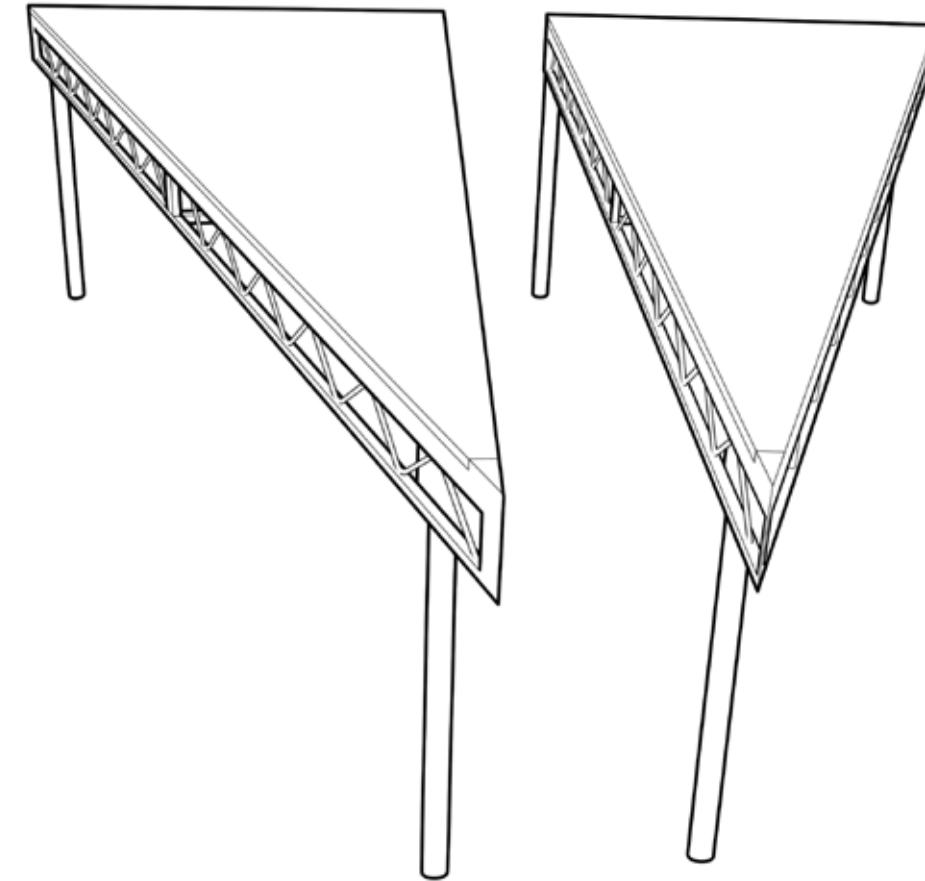
TECHNICAL SPECIFICATIONS:

DECK SIZE	LEG POSTS	CARRYING WEIGHT	LOAD CAPACITY
4' x 4'	3	56 lbs.	1000 lbs.
3' x 3'	3	40 lbs.	562.5 lbs.

RELATED ACCESSORIES:

- Legs and Couplers
- Step Units
- Leveling Screw Jacks
- Car Ramps
- Casters
- Bracing
- Guardrails

Triangle Decks 4' x 8', Left Hand and Right Hand



DESCRIPTION:

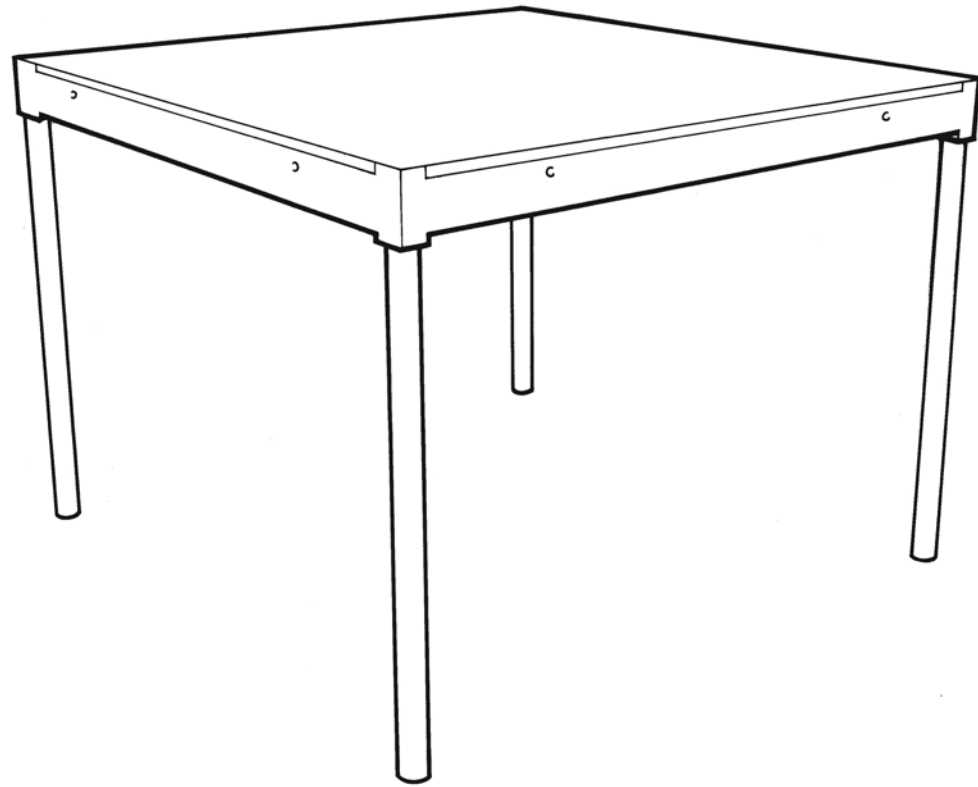
Steeldeck® platform constructed using steel truss frame with high quality plywood tops. Tops are insulated from frames to reduce noise and vibration. Standard platform will accept 3 legs of Schedule 40 1 1/2" pipe. Legs are held in place by a hand knob. Decks are connected to each other by bolting through pre-drilled holes along each edge.

TECHNICAL SPECIFICATIONS:

DECK SIZE	LEG POSTS	CARRYING WEIGHT	LOAD CAPACITY
4' x 8'	3	94 lbs.	2000 lbs.

RELATED ACCESSORIES:

- Legs and Couplers
- Step Units
- Leveling Screw Jacks
- Car Ramps
- Casters
- Bracing
- Guardrails



DESCRIPTION:

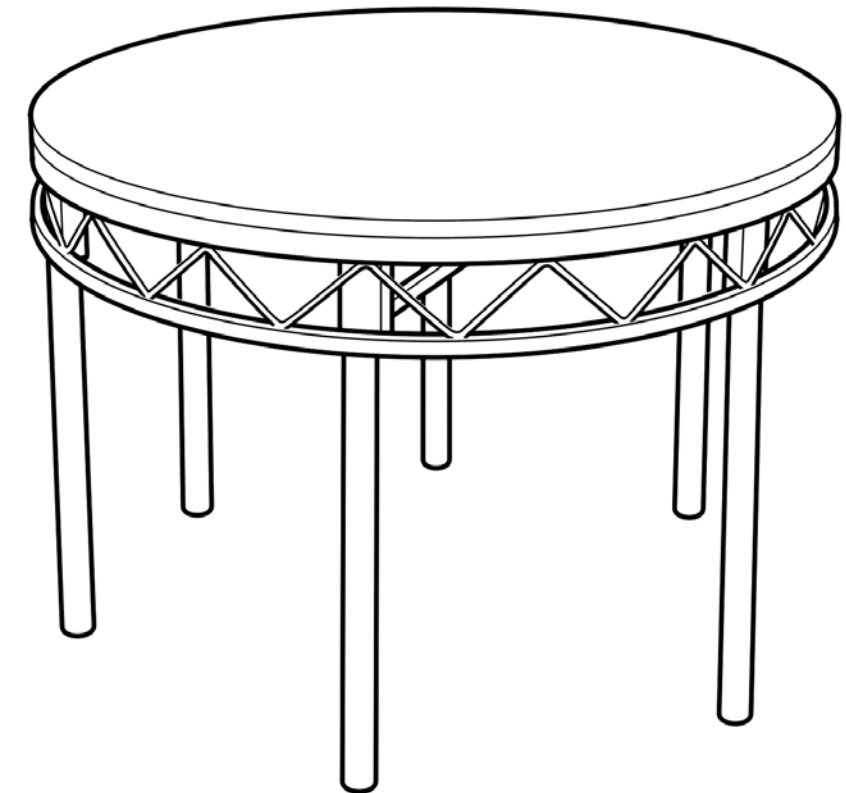
Low Profile Steeldeck® platform constructed using steel tube frame with high quality 3/4" plywood tops. Tops are insulated from frames to reduce noise and vibration. Deck will accept 4 legs of 1 1/2" Schedule 40 steel pipe. Legs are held in place by a hand knob. Decks are connected to each other and to standard Steeldeck® platforms by bolting through pre-drilled holes along each edge. Useful when building a platform off a shallow step.

TECHNICAL SPECIFICATIONS:

DECK SIZE	LEG POSTS	CARRYING WEIGHT	LOAD CAPACITY
4' x 4'	4	84 lbs.	2000 lbs.
3' x 4'	4	72 lbs.	1500 lbs.
2' x 4'	4	54 lbs.	1000 lbs.

RELATED ACCESSORIES:

- Legs and Couplers
- Step Units
- Leveling Screw Jacks
- Car Ramps
- Casters
- Bracing
- Guardrails



DESCRIPTION:

4' Round Deck. Same construction as standard Steeldeck® platform using steel truss frame with high quality 3/4" plywood tops. Tops are insulated from frames to reduce noise and vibration. Standard deck will accept 6 legs of 1 1/2" Schedule 40 steel pipe. Legs are held in place by a hand knob. Decks can not be connected to other decks. Suitable for use only as a low-rise dance/display platform.

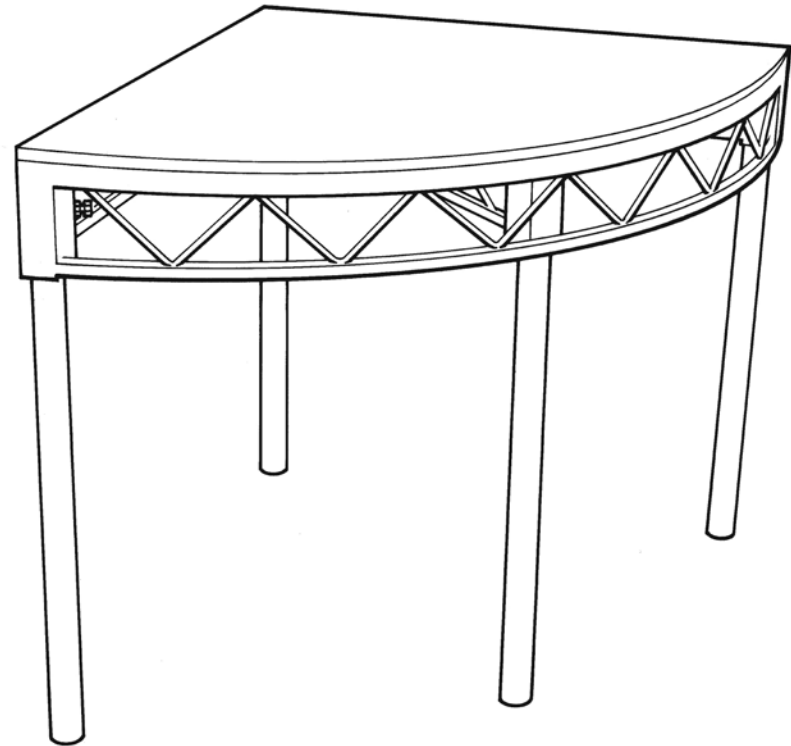
TECHNICAL SPECIFICATIONS:

DECK SIZE	LEG POSTS	CARRYING WEIGHT	LOAD CAPACITY
4' dia.	6	80 lbs.	1570 lbs.

RELATED ACCESSORIES:

- Legs and Couplers
- Leveling Screw Jacks
- Casters

3' Quadrant Deck



DESCRIPTION:

3' x 3' Quadrant Deck. Same construction as standard Steeldeck® platform using steel truss frame with high quality 3/4" plywood tops. Tops are insulated from frames to reduce noise and vibration. Deck will accept 4 legs of 1 1/2" Schedule 40 steel pipe. Legs are held in place by a hand knob. Decks are connected to each other by bolting through pre-drilled holes along 3' edges. Four together make a 6' diameter circle. Can be used to round off stage corners.

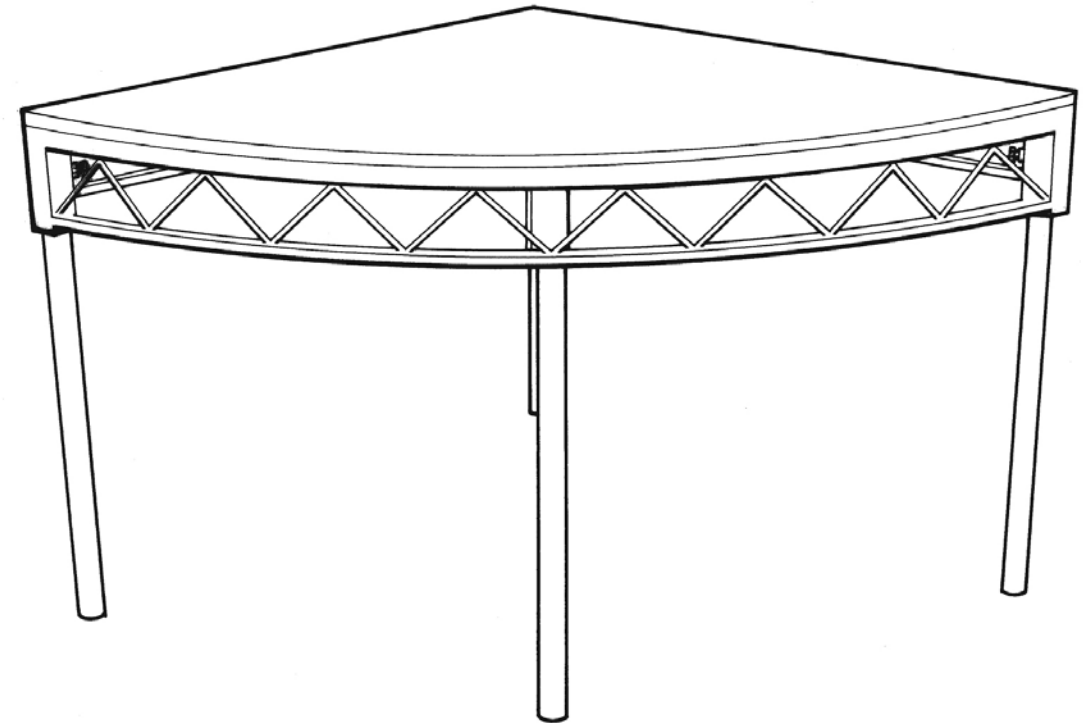
TECHNICAL SPECIFICATIONS:

DECK SIZE	LEG POSTS	CARRYING WEIGHT	LOAD CAPACITY
3' x 3'	4	52 lbs.	854 lbs.

RELATED ACCESSORIES:

- Legs and Couplers
- Casters
- Car Ramps
- Leveling Screw Jacks
- Step Units
- Bracing

4' Quadrant Deck



DESCRIPTION:

4' x 4' Quadrant Deck. Same construction as standard Steeldeck® platform using steel truss frame with high quality 3/4" plywood tops. Tops are insulated from frames to reduce noise and vibration. Deck will accept 4 legs of 1 1/2" Schedule 40 steel pipe. Legs are held in place by a hand knob. Decks are connected to each other by bolting through pre-drilled holes along 4' edges. Four together make a 8' diameter circle. Can be used to round off stage corners.

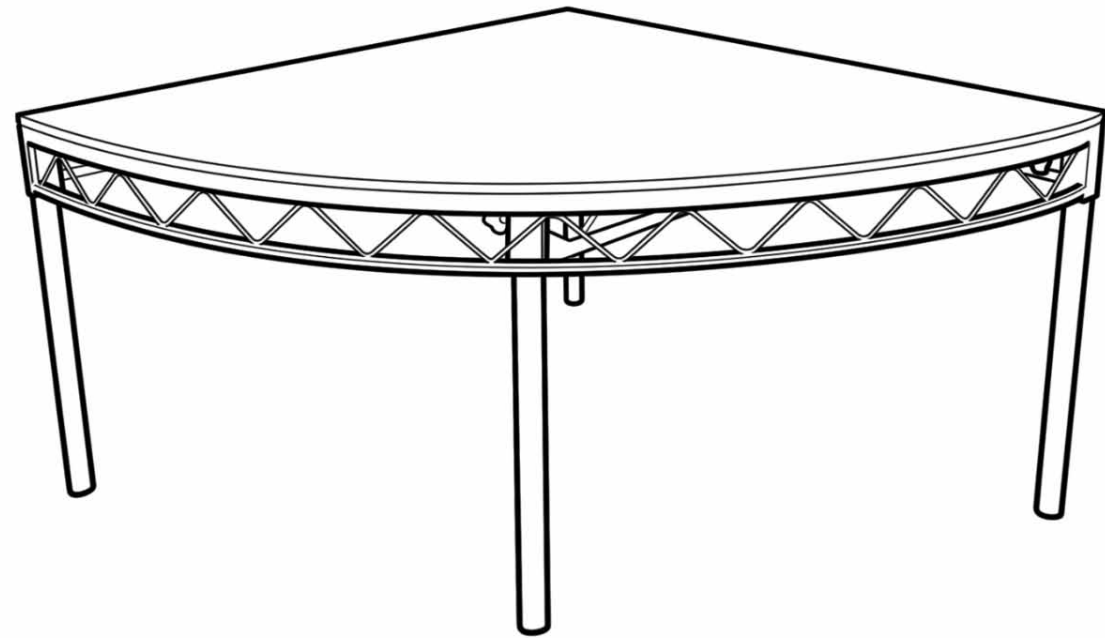
TECHNICAL SPECIFICATIONS:

DECK SIZE	LEG POSTS	CARRYING WEIGHT	LOAD CAPACITY
4' x 4'	4	70 lbs.	1570 lbs.

RELATED ACCESSORIES:

- Legs and Couplers
- Casters
- Car Ramps
- Leveling Screw Jacks
- Step Units
- Bracing

5' Quadrant Deck



DESCRIPTION:

5' x 5' Quadrant Deck. Same construction as standard Steeldeck® platform using steel truss frame with high quality 3/4" plywood tops. Tops are insulated from frames to reduce noise and vibration. Deck will accept 4 legs of 1 1/2" Schedule 40 steel pipe. Legs are held in place by a hand knob. Decks are connected to each other by bolting through pre-drilled holes along 5' edges. Four together make a 10' diameter circle. Can be used to round off stage corners.

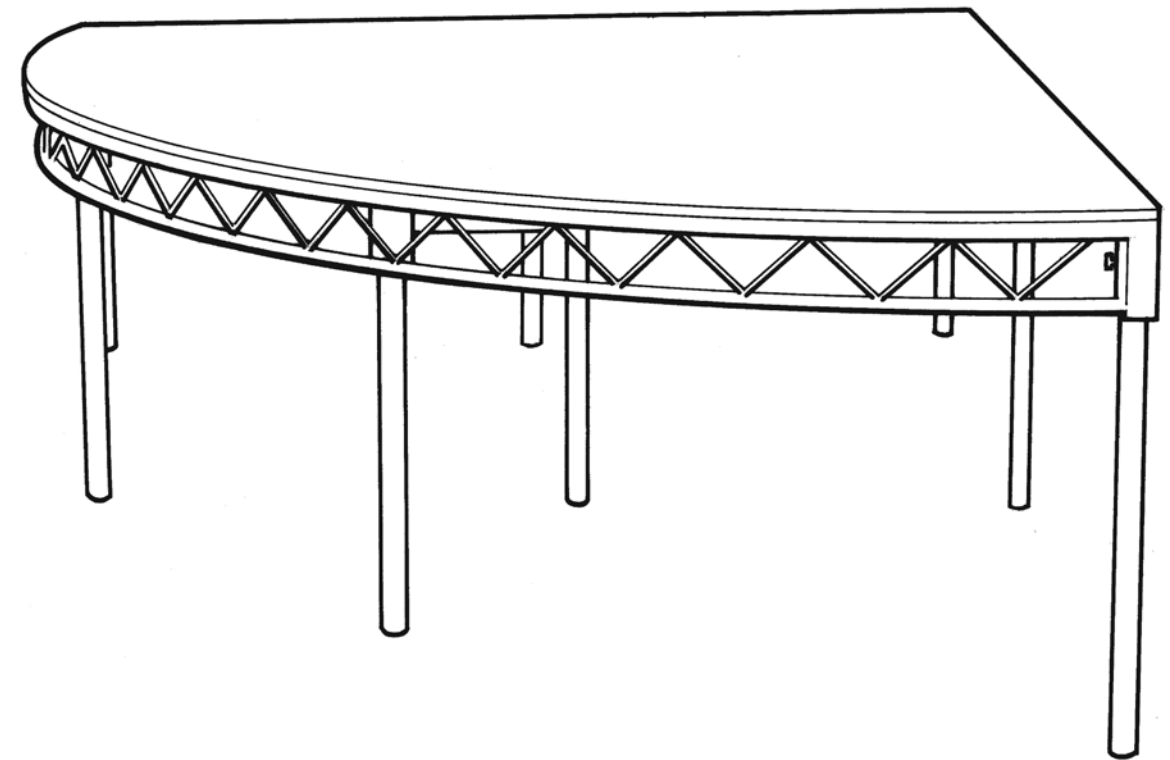
TECHNICAL SPECIFICATIONS:

DECK SIZE	LEG POSTS	CARRYING WEIGHT	LOAD CAPACITY
5' x 5'	4	110 lbs.	2454 lbs.

RELATED ACCESSORIES:

- Legs and Couplers
- Casters
- Car Ramps
- Leveling Screw Jacks
- Step Units
- Bracing

6' Quadrant Deck



DESCRIPTION:

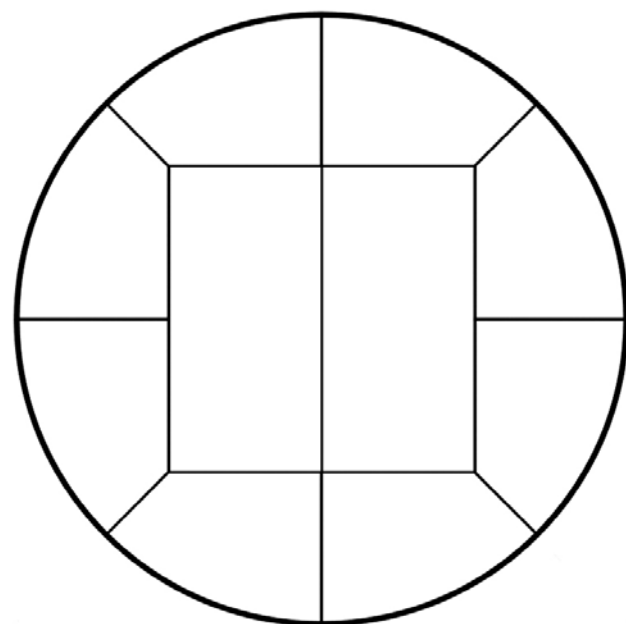
6' x 6' Quadrant Deck. Same construction as standard Steeldeck® platform using steel truss frame with high quality 3/4" plywood tops. Tops are insulated from frames to reduce noise and vibration. Deck will accept 4 legs of 1 1/2" Schedule 40 steel pipe. Legs are held in place by a hand knob. Decks are connected to each other by bolting through pre-drilled holes along 6' edges. Four together make a 12' diameter circle. Can be used to round off stage corners.

TECHNICAL SPECIFICATIONS:

DECK SIZE	LEG POSTS	CARRYING WEIGHT	LOAD CAPACITY
6' x 6'	8	155 lbs.	3534 lbs.

RELATED ACCESSORIES:

- Legs and Couplers
- Casters
- Car Ramps
- Leveling Screw Jacks
- Step Units
- Bracing



DESCRIPTION:

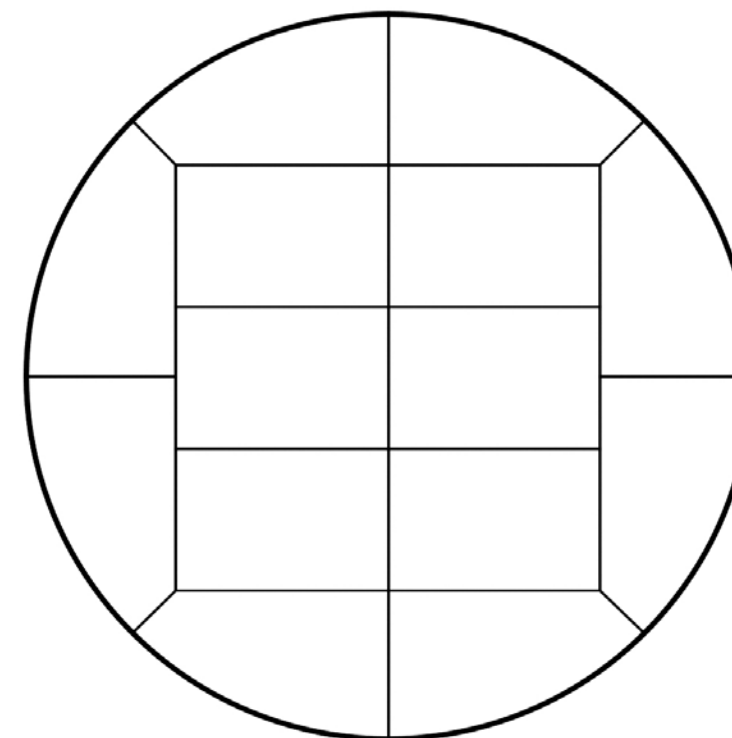
16' Diameter Deck. Same construction as standard Steeldeck® platform using steel truss frame with high quality 3/4" plywood tops. Tops are insulated from frames to reduce noise and vibration. Deck will accept 5 legs of 1 1/2" Schedule 40 steel pipe. Legs are held in place by a hand knob. Decks are connected to each other by bolting through pre-drilled holes along straight edges. Four left hand and four right hand decks around two 4' x 8' decks make a 16' diameter circle. Can be used to round off stage corners.

TECHNICAL SPECIFICATIONS:

DECK SIZE	LEG POSTS	CARRYING WEIGHT	LOAD CAPACITY
16' segment 4' x 4' x 5'	5	92 lbs.	2142 lbs.

RELATED ACCESSORIES:

- Legs and Couplers
- Casters
- Car Ramps
- Leveling Screw Jacks
- Step Units
- Bracing



DESCRIPTION:

20' Diameter Deck. Same construction as standard Steeldeck® platform using steel truss frame with high quality 3/4" plywood tops. Tops are insulated from frames to reduce noise and vibration. Deck will accept 6 legs of 1 1/2" Schedule 40 steel pipe. Legs are held in place by a hand knob. Decks are connected to each other by bolting through pre-drilled holes along straight edges. Four left hand and four right hand decks around six 4' x 6' decks make a 20' diameter circle. Can be used to round off stage corners.

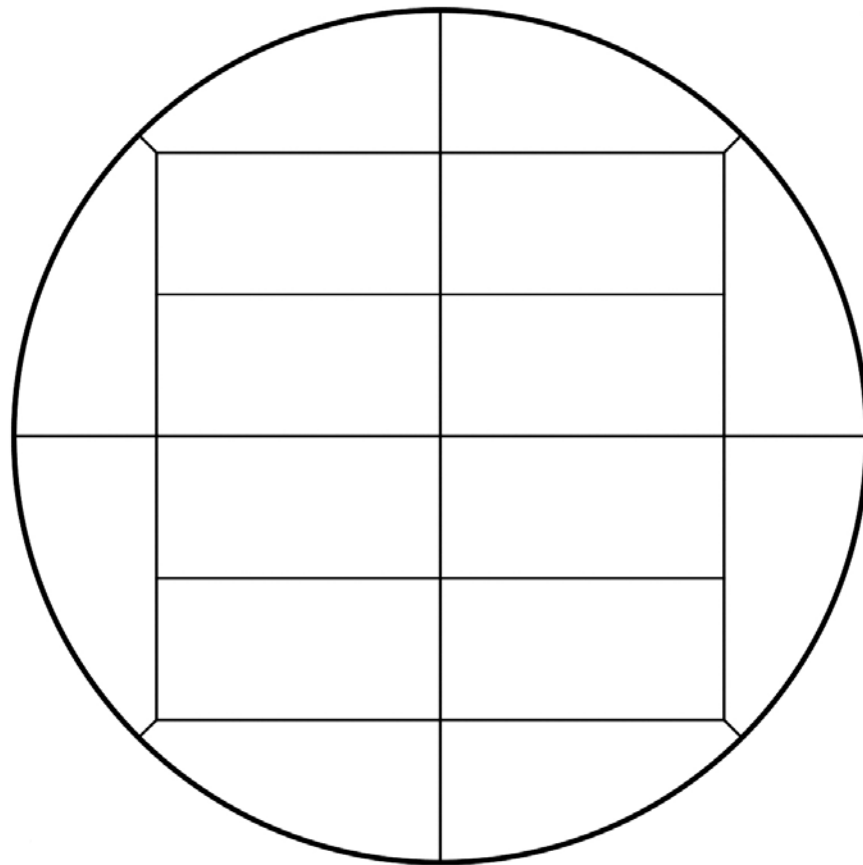
TECHNICAL SPECIFICATIONS:

DECK SIZE	LEG POSTS	CARRYING WEIGHT	LOAD CAPACITY
20' segment 4' x 6' x 8'	6	110 lbs.	2659 lbs.

RELATED ACCESSORIES:

- Legs and Couplers
- Casters
- Car Ramps
- Leveling Screw Jacks
- Step Units
- Bracing

24' Diameter Deck



DESCRIPTION:

24' Diameter Deck. Same construction as standard Steeldeck® platform using steel truss frame with high quality 3/4" plywood tops. Tops are insulated from frames to reduce noise and vibration. Deck will accept 6 legs of 1 1/2" Schedule 40 steel pipe. Legs are held in place by a hand knob. Decks are connected to each other by bolting through pre-drilled holes along straight edges. Four left hand and four right hand decks around six 4' x 8' decks make a 24' diameter circle. Can be used to round off stage corners.

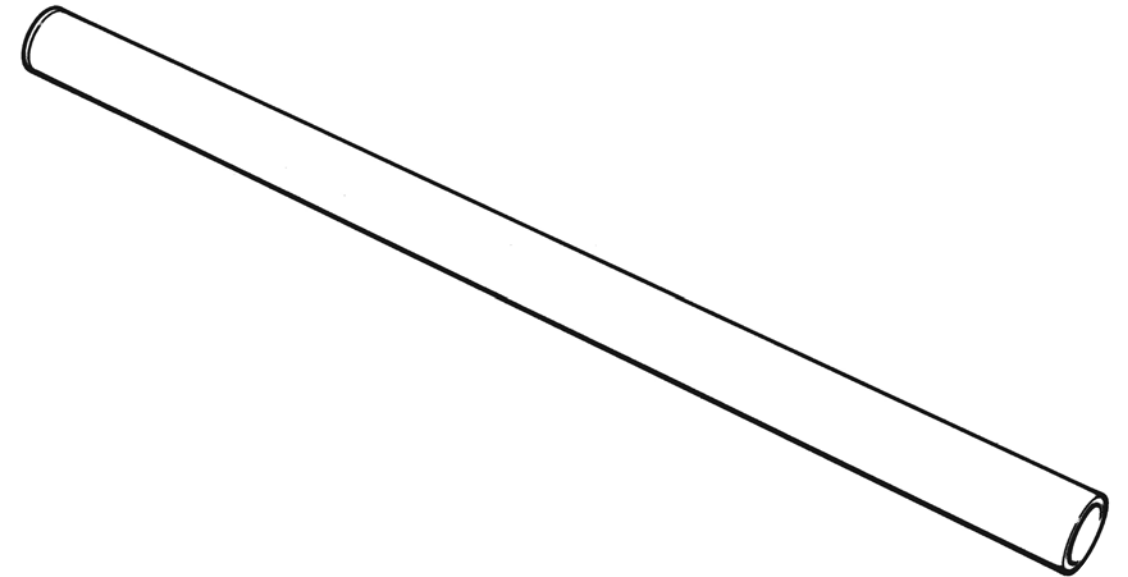
TECHNICAL SPECIFICATIONS:

DECK SIZE	LEG POSTS	CARRYING WEIGHT	LOAD CAPACITY
24' segment 4' x 8' x 9'	6	125 lbs.	3069 lbs.

RELATED ACCESSORIES:

- Legs and Couplers
- Casters
- Car Ramps
- Leveling Screw Jacks
- Step Units
- Bracing

Legs and Caster Sleeves



DESCRIPTION:

Standard leg supplied in steel pipe. Any length of leg can be supplied. Standard stock heights shown below. All legs supplied with black plastic inserts to protect studio floors. All legs supplied galvanized. Legs also available with welded-on coupler to allow platforms to share a leg at each joint (see next page).

Standard Stock:

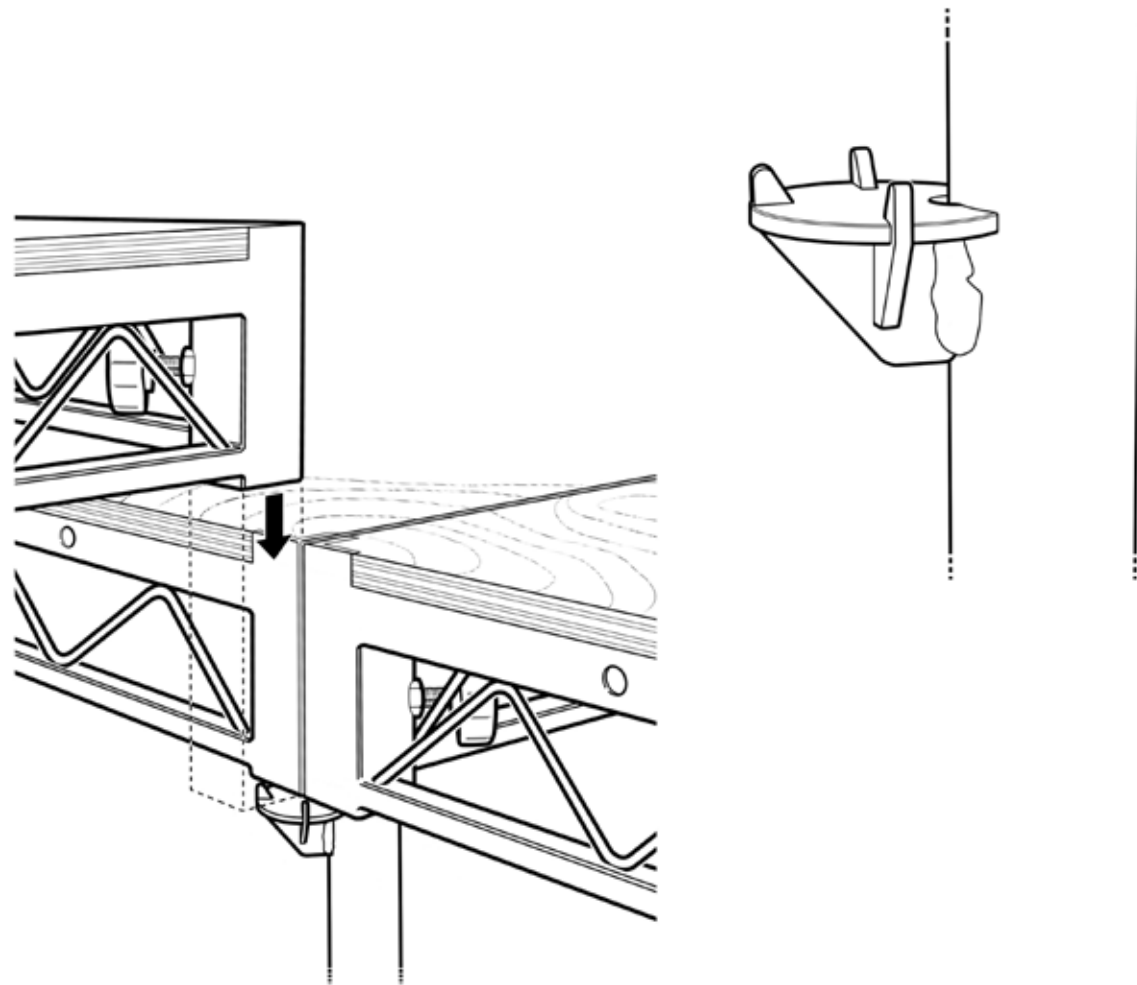
Length	Length	Length	Length
8"	20" (1' 8")	40" (3' 4")	66" (5' 6")
9"	21" (1' 10")	42" (3' 6")	72" (6')
10"	24" (2')	48" (4')	78" (6' 6")
11"	28" (2' 4")	49" (4' 1")	84" (7')
12" (1')	30" (2' 6")	54" (4' 6")	90" (7' 6")
14" (1' 2")	32" (2' 8")	56" (4' 8")	96" (8')
16" (1' 4")	35" (2' 11")	60" (5')	108" (9')
18" (1' 6")	36" (3')	63" (5' 3")	120" (10')

TECHNICAL SPECIFICATIONS:

CARRYING WEIGHT	LOAD CAPACITY
2.7 lbs./per ft.	6000 lbs.

RELATED ACCESSORIES:

- Couplers
- Casters
- Leg End Caps
- Leveling Screw Jacks
- Leg Racks
- Legs with Welded-On Coupler



DESCRIPTION:

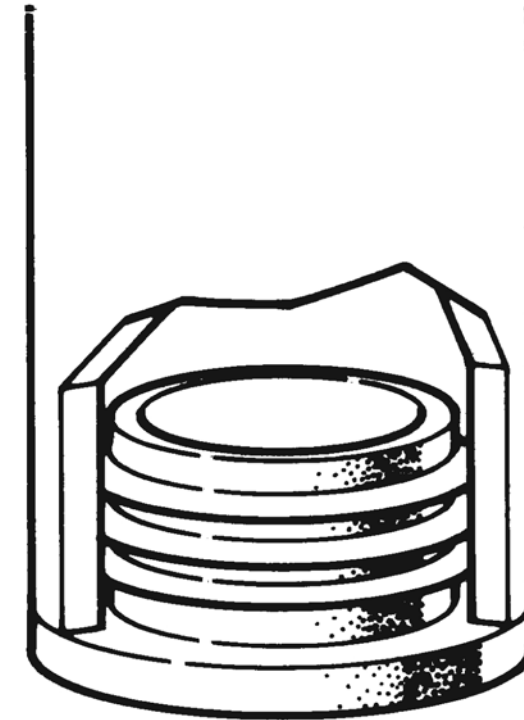
Pipe leg with welded-on coupler. Allows first deck built to share legs with subsequent decks, making a stage build faster and with fewer parts. See sketch for positioning detail. Always use all platform connecting bolts.

TECHNICAL SPECIFICATIONS:

CARRYING WEIGHT	LOAD CAPACITY
4 oz. added to leg weight	3000 lbs.

RELATED ACCESSORIES:

- Decks
- Legs
- M10 x 60mm Bolts



DESCRIPTION:

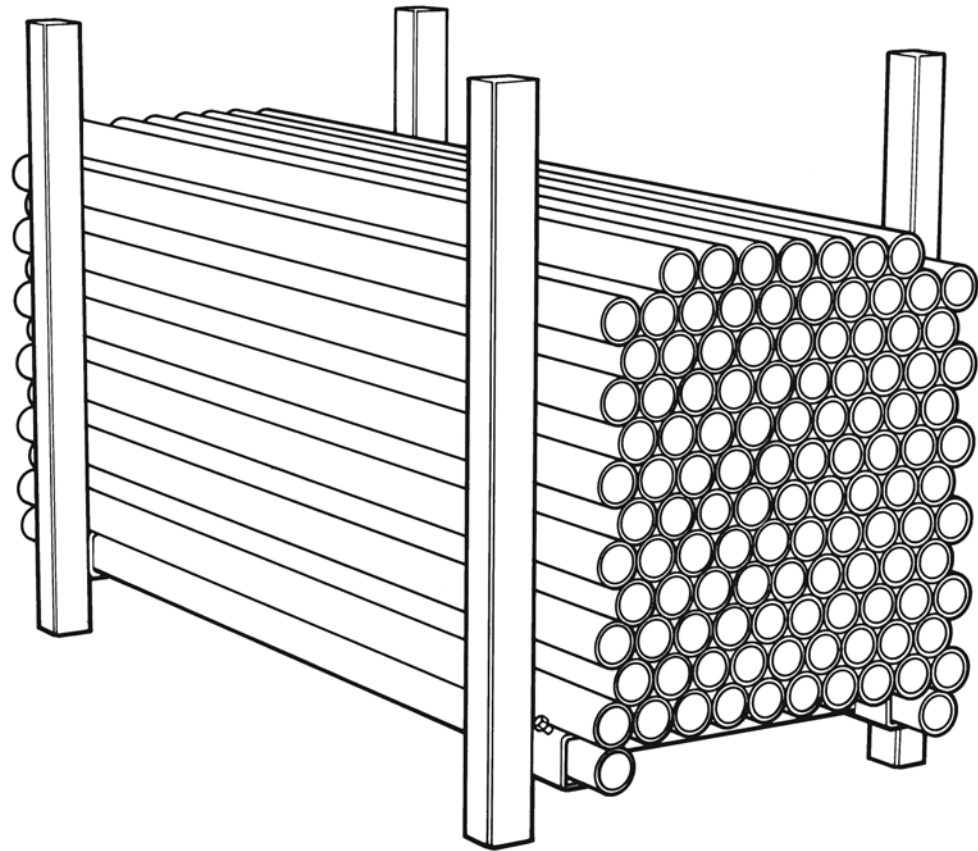
Black plastic cap insert to fit into end of 1 1/2" Schedule 40 steel pipe. Supplied to protect studio floors – fitted one end of leg pipes.

TECHNICAL SPECIFICATIONS:

CARRYING WEIGHT	LOAD CAPACITY
30 caps= 1 lb.	N/A

RELATED ACCESSORIES:

- Legs



DESCRIPTION:

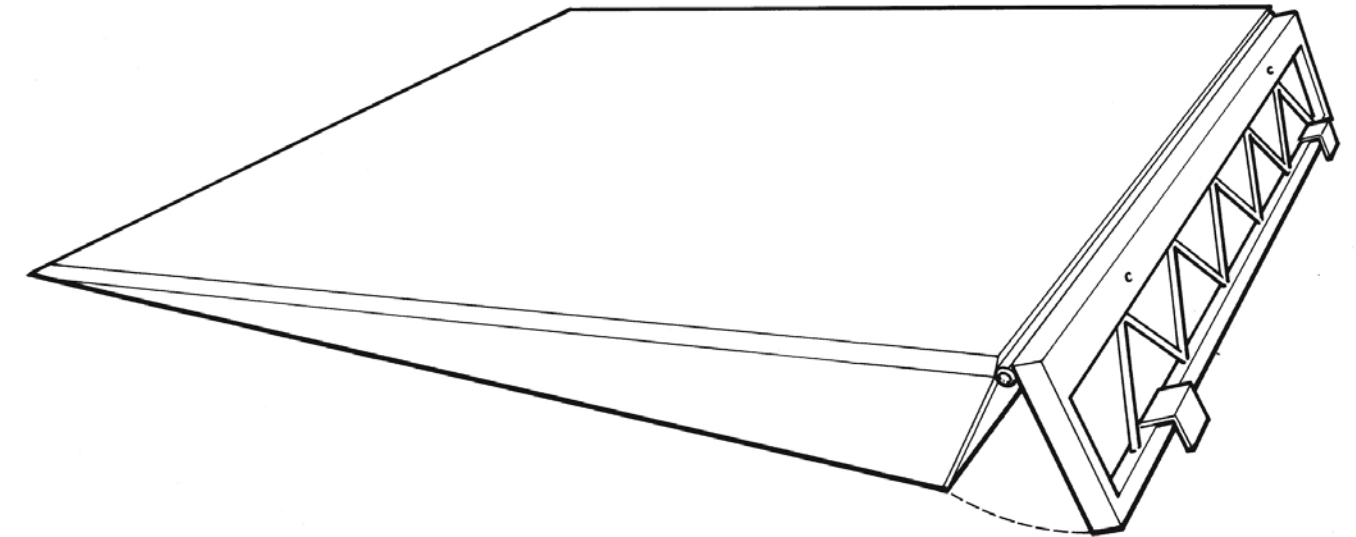
Leg Rack. Two H-frames made from steel tube, connected by any two 1 1/2" Schedule 40 steel pipes. Held in place by M12 x 30 pinch bolts. The rack holds 150 legs and can be fork lifted, pallet jacked, or mounted on leg rack casters. Finish: zinc plated.

TECHNICAL SPECIFICATIONS:

CARRYING WEIGHT	LOAD CAPACITY
40 lbs.	4000 lbs.

RELATED ACCESSORIES:

- Legs
- Leg End Caps
- Leg Rack Caster



DESCRIPTION:

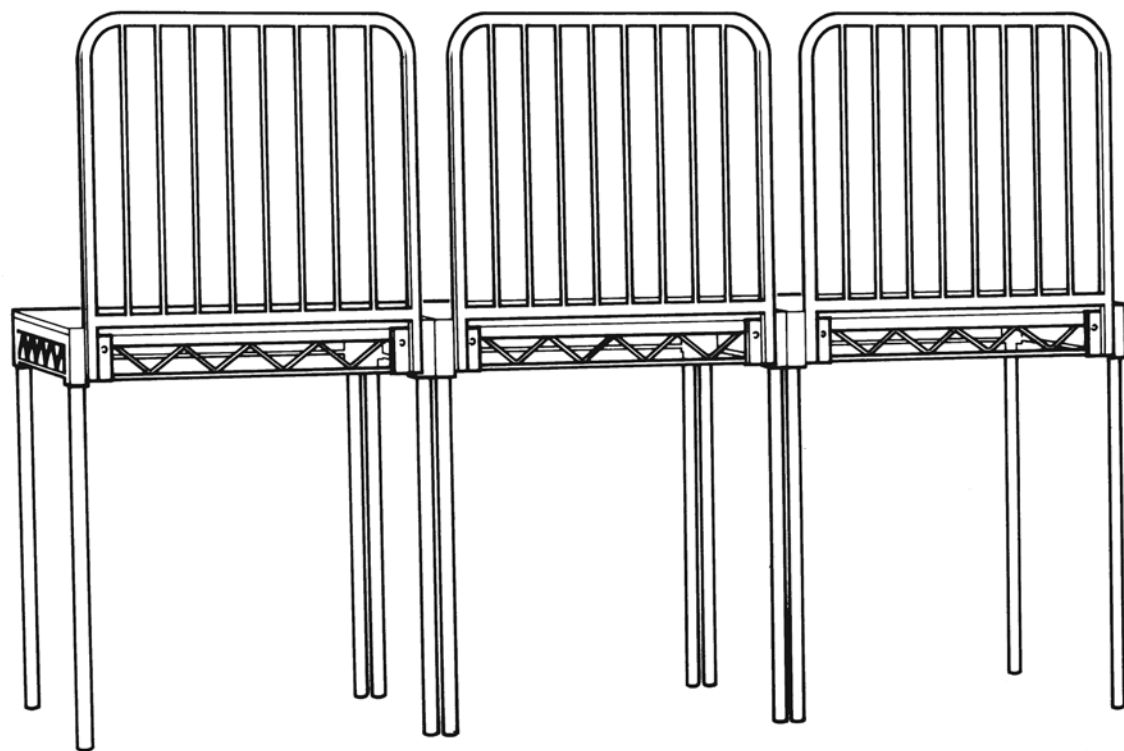
Ramp. Zinc plated steel construction with hinged Steeldeck® platform truss to hook and bolt to straight edge of a standard deck. Top surface of ramp is black painted 3/4" plywood.

TECHNICAL SPECIFICATIONS:

CARRYING WEIGHT	LOAD CAPACITY
165 lbs.	4000 lbs.

RELATED ACCESSORIES:

- Decks



DESCRIPTION:

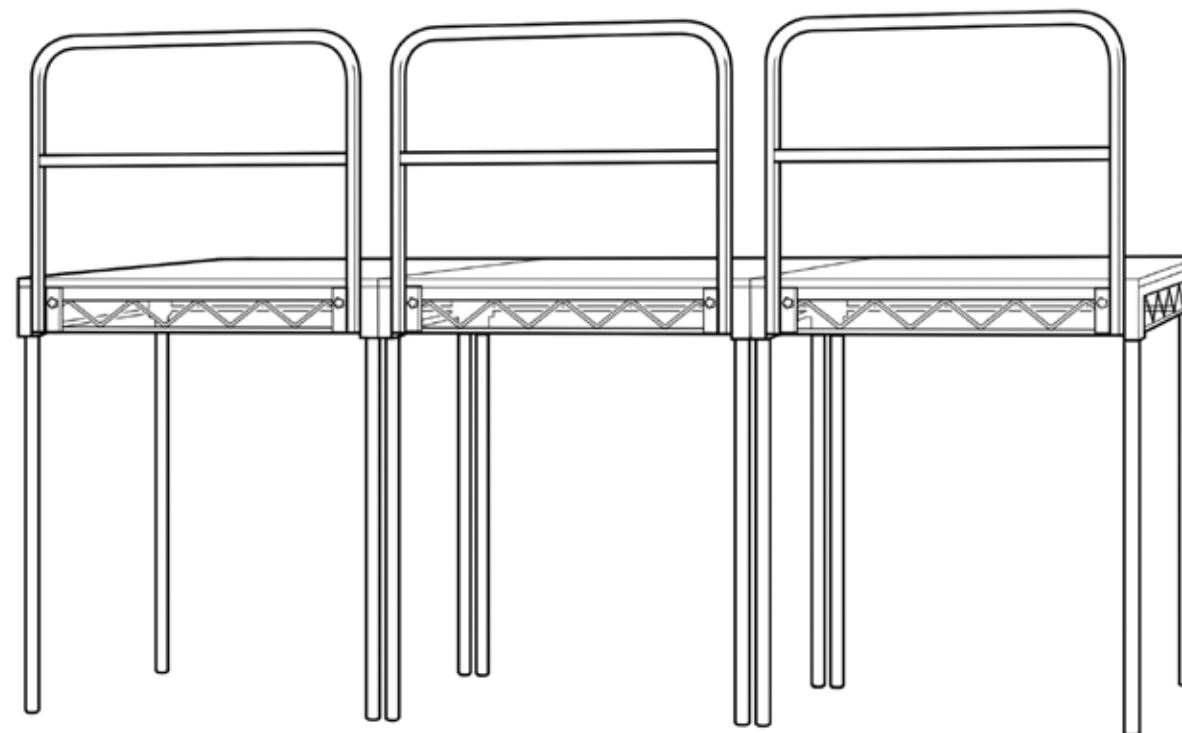
Guardrails are used to form a safe 44" high barrier around the edges of platforms. Guardrails attach to the truss of Steeldeck® platforms using a back plate and hand knob. Guardrails are supplied in 4', 3' and 2' sections, as well as custom lengths and heights. Perimeter frame is made from 14 gage 1½" square steel tubing; pickets are made from 16 gage ¾" square steel tubing. Finished in black powder coat.

TECHNICAL SPECIFICATIONS:

NEW GUARDRAILS	CARRYING WEIGHT	LOAD CAPACITY
4'	40 lbs.	Uniform Building Code
3'	35 lbs.	Uniform Building Code
2'	27 lbs.	Uniform Building Code

RELATED ACCESSORIES:

- Guardrail Backplates
- Guardrail Rack
- Decks
- Moveable Handrail Uprights



DESCRIPTION:

Low height guardrails are used to form a 26" high barrier at the front of a platform used as an audience bleacher as allowed by uniform building code. Low height guardrails attach to the truss of Steeldeck® platforms using a clamp-on back plate and hand knob. Guardrails are supplied in 4' length, as well as custom lengths. Frame is made from 14 gage 1½" square steel tubing. Finished in black powder coat.

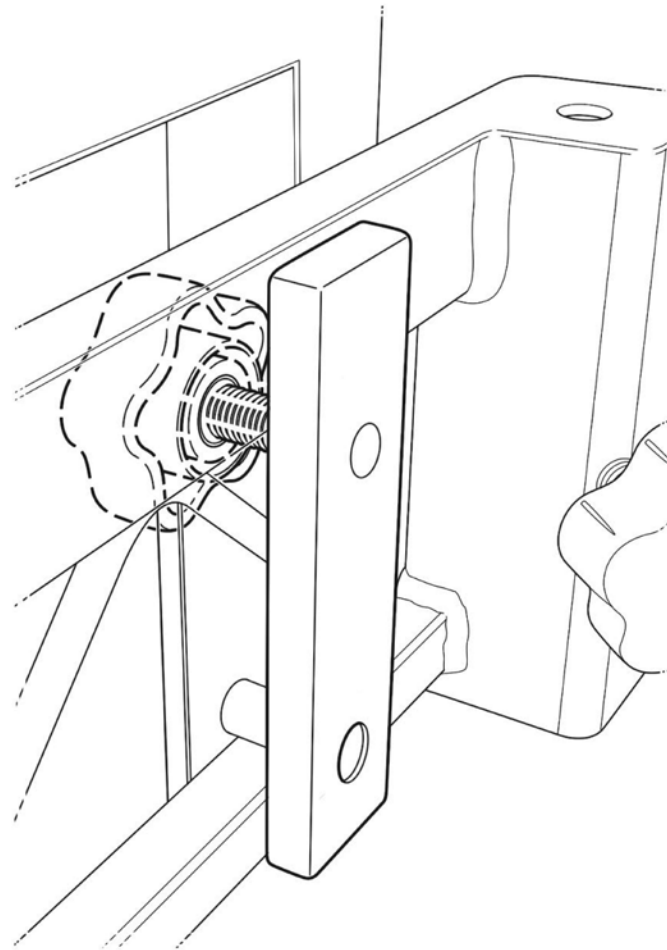
TECHNICAL SPECIFICATIONS:

NEW GUARDRAILS	CARRYING WEIGHT	LOAD CAPACITY
4'	21 lbs.	Uniform Building Code

RELATED ACCESSORIES:

- Guardrail Backplates
- Guardrail Rack
- Decks
- Moveable Handrail Uprights

Guardrail Backplate



DESCRIPTION:

Guardrail Backplate. 1/2" x 1 1/2" steel plate with hand knob, used to secure guardrails in position on Steeldeck® platform truss. Finish: zinc plate.

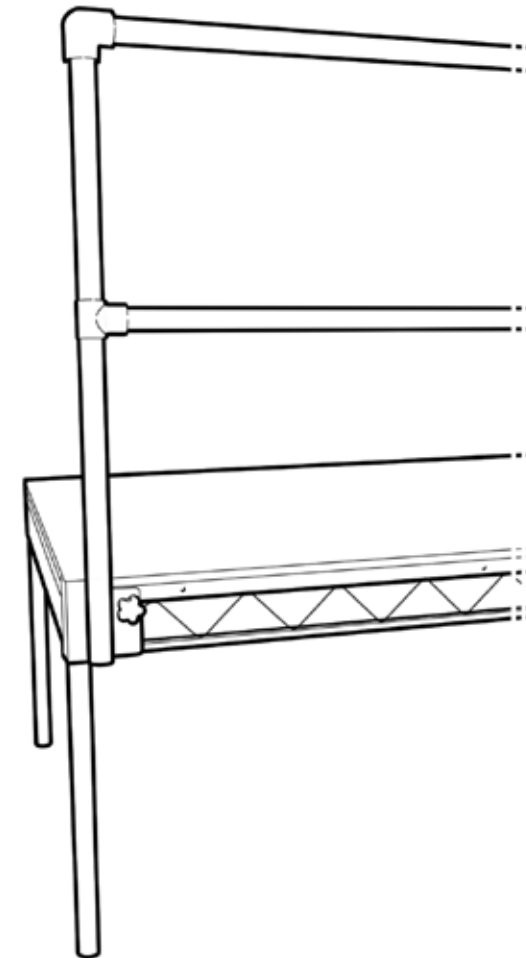
TECHNICAL SPECIFICATIONS:

CARRYING WEIGHT	LOAD CAPACITY
1 lb.	N/A

RELATED ACCESSORIES:

- Guardrail Backplates ▪ Guardrail Rack ▪ Decks
- Moveable Handrail Uprights

Moveable Handrail Uprights



DESCRIPTION:

Moveable Handrail Uprights. Made from 1 1/2" Schedule 40 steel pipe. Attaches with a standard guardrail backplate to any point on the perimeter of a Steeldeck® platform. Allows the construction of a 44" high custom rail system (using panels or rails) employing slip on pipe fittings. Finished in zinc plate.

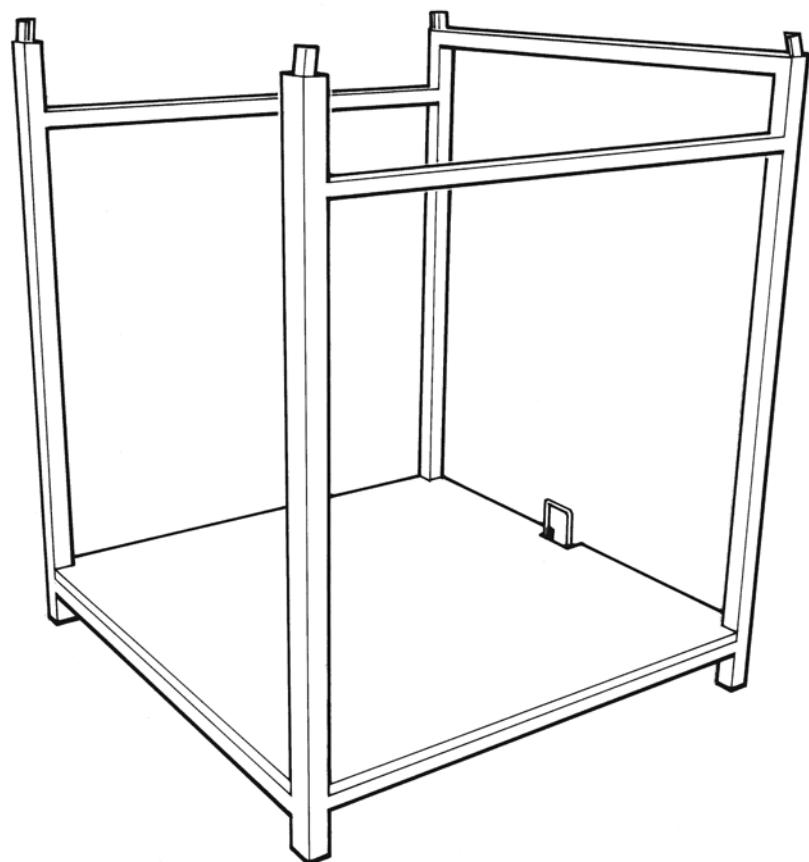
TECHNICAL SPECIFICATIONS:

CARRYING WEIGHT	LOAD CAPACITY
11 lbs.	200 lbs.

RELATED ACCESSORIES:

- Guardrail Backplates ▪ Guardrail Rack ▪ Decks

Guardrail Rack



DESCRIPTION:

Guardrail Rack. Constructed from 2" x 2" steel tube with ply base board. The rack provides transportation for 24 guardrails held in place by ratchet strap. Rack can be fork lifted or pallet jacked. Finished in black.

TECHNICAL SPECIFICATIONS:

	CARRYING WEIGHT	LOAD CAPACITY
4'	189 lbs.	2200 lbs.
3'	70 lbs.	2000 lbs.
2'	40 lbs.	1500 lbs.

RELATED ACCESSORIES:

- Guardrails

7 Step Adjustable Stairs



DESCRIPTION:

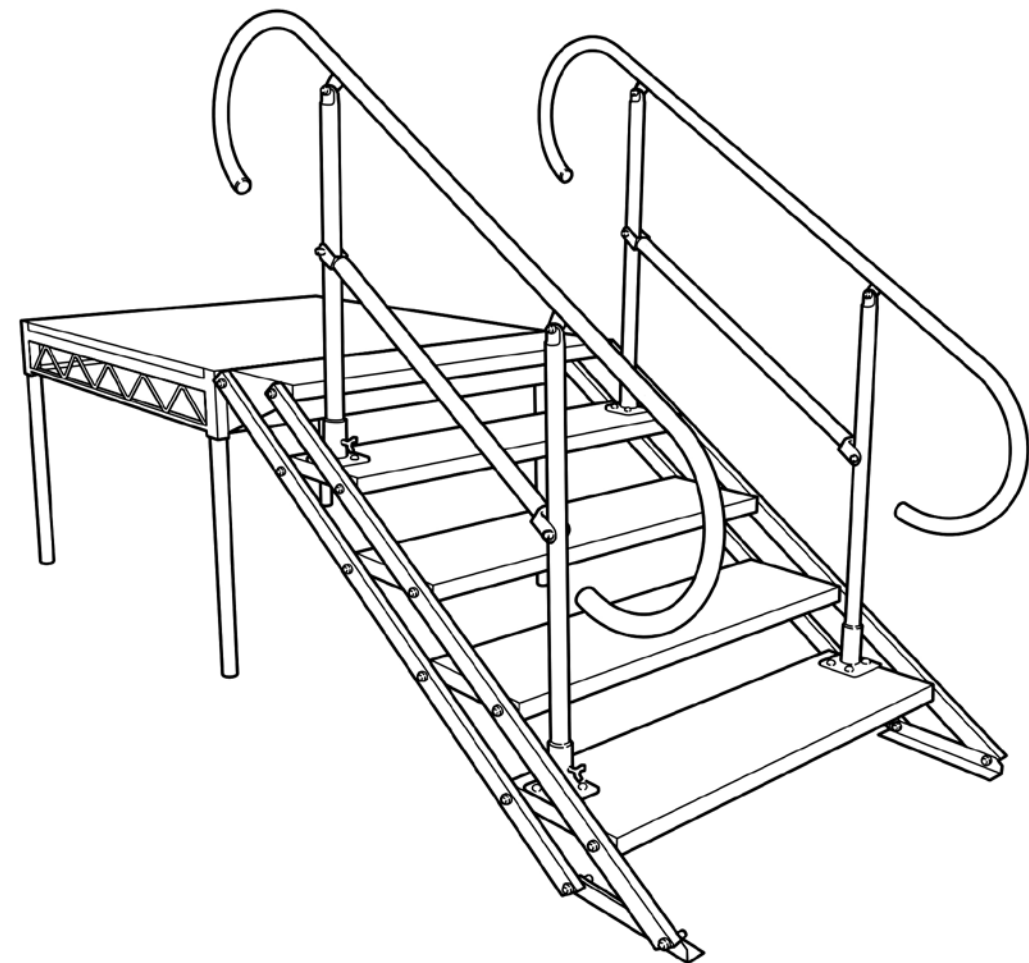
7 Step adjustable stair unit. Constructed from steel tubing and extruded aluminum treads. Max. height 56" with 8" rise. Min. height 28" with 4" rise. Unit can be attached to any deck edge that is 4' or more in length. Finish: Aluminum – mill finish; steel stringers – zinc plate; handrails – wrinkle finish black powder coat.

TECHNICAL SPECIFICATIONS:

	CARRYING WEIGHT (including Handrails)	LOAD CAPACITY
7 Step	255 lbs.	Uniform Building Code

RELATED ACCESSORIES:

- Decks



DESCRIPTION:

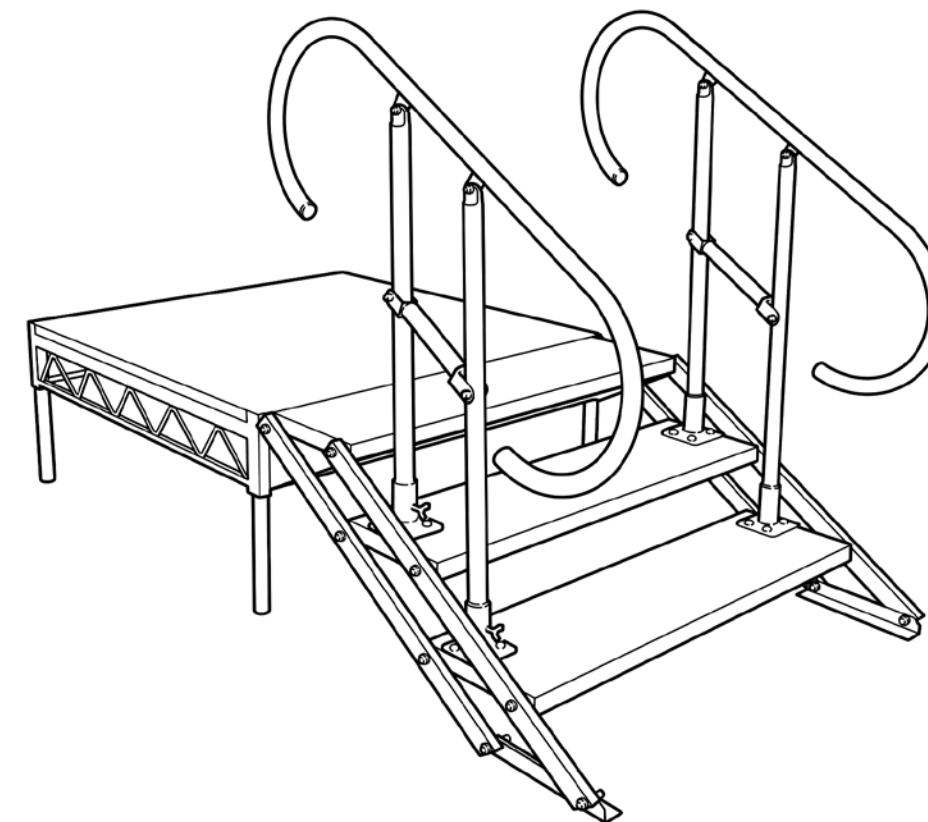
5 Step adjustable stair unit. Constructed from steel tubing and extruded aluminum treads. Max. height 40" with 8" rise. Min. height 20" with 4" rise. Unit can be attached to any deck edge that is 4' or more in length. Finish: Aluminum – mill finish; steel stringers – zinc plate; handrails – wrinkle finish black powder coat.

TECHNICAL SPECIFICATIONS:

	CARRYING WEIGHT (including Handrails)	LOAD CAPACITY
5 Step	192 lbs.	Uniform Building Code

RELATED ACCESSORIES:

- Decks



DESCRIPTION:

3 Step adjustable stair unit. Constructed from steel tubing and extruded aluminum treads. Max. height 24" with 8" rise. Min. height 12" with 4" rise. Unit can be attached to any deck edge that is 4' or more in length. Finish: Aluminum – mill finish; steel stringers – zinc plate; handrails – wrinkle finish black powder coat.

TECHNICAL SPECIFICATIONS:

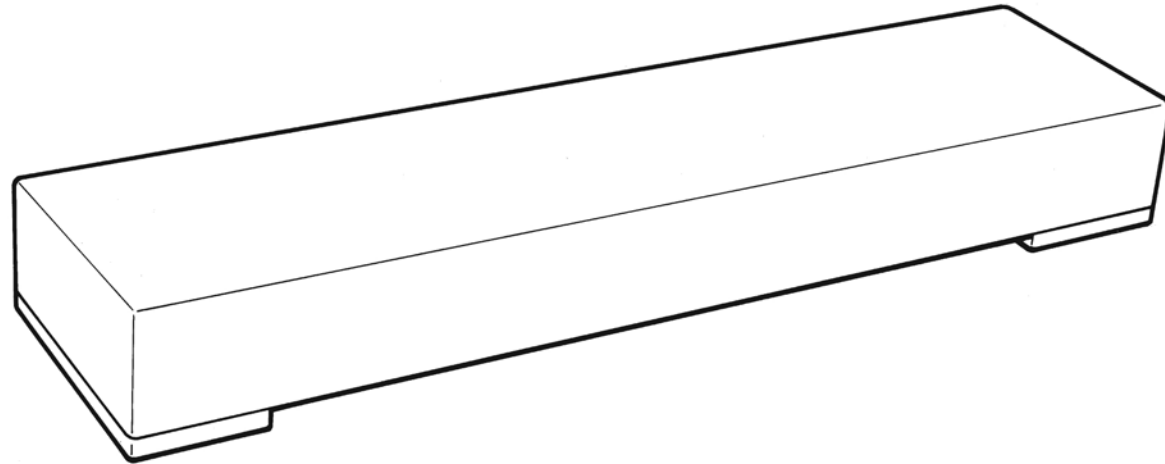
	CARRYING WEIGHT (including Handrails)	LOAD CAPACITY
3 Step	132 lbs.	Uniform Building Code

RELATED ACCESSORIES:

- Decks

Accessories

Box Tread 6"
Box Tread 12"



DESCRIPTION:

Box Tread 6". Constructed from 3/4" plywood. Offers single step 6" x 12" x 48".
Finish: black.

Box Tread 12". Constructed from 3/4" plywood. Offers single step 12" x 12" x 48".
Screws to 6" box tread to provide stairs to 18" high stage. Finish: black.

TECHNICAL SPECIFICATIONS:

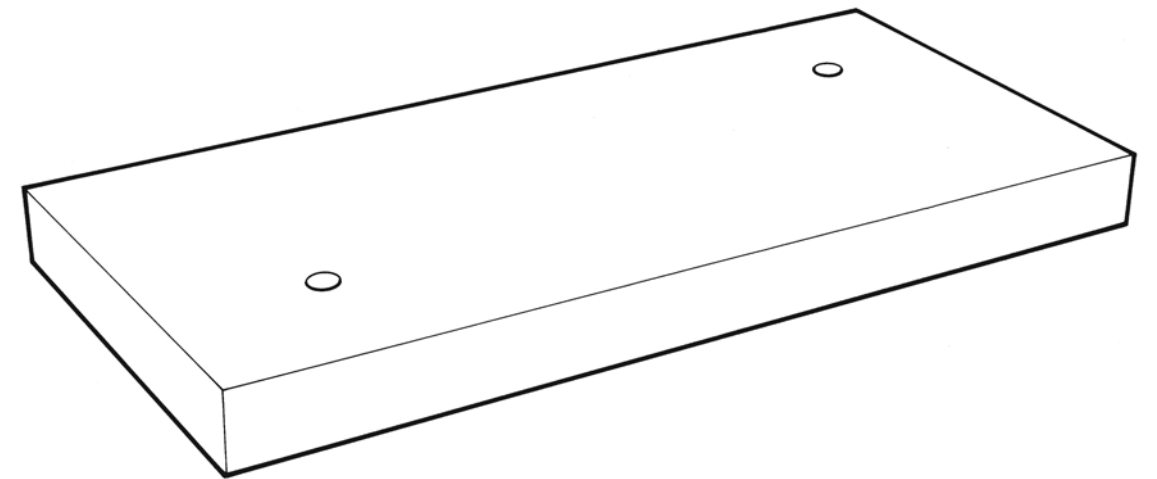
	CARRYING WEIGHT	LOAD CAPACITY
Box Tread 6"	20 lbs.	300 lbs.
Box Tread 12"	28 lbs.	300 lbs.

RELATED ACCESSORIES:

- Decks
- 12" Box Tread
- 1" Box Tread Lifter

Accessories

1" Box Tread Lifter



DESCRIPTION:

1" Box Tread Lifter. Made from mdf. Used with box tread to offer additional height, in 1" increments, 7", 8" etc. 6" x 12" x 1" blocks pre-drilled to fix to base of box treads.
Finished in black.

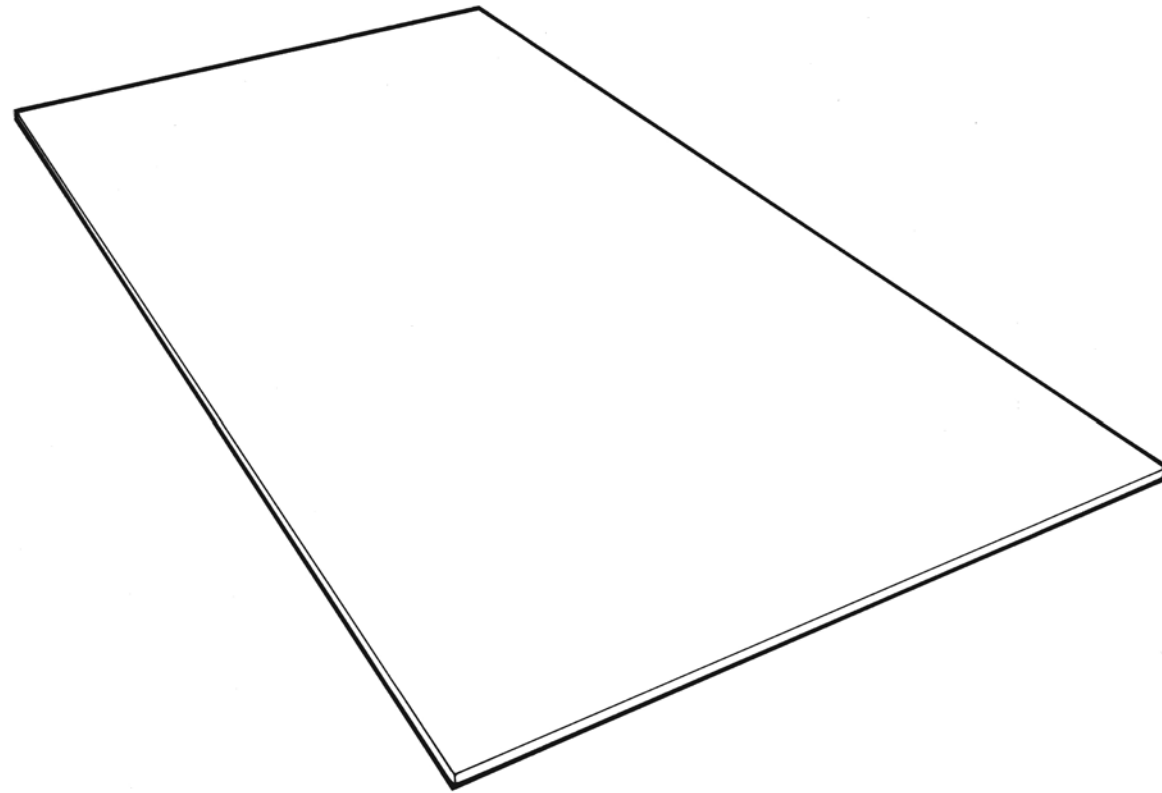
TECHNICAL SPECIFICATIONS:

CARRYING WEIGHT	LOAD CAPACITY
2 lbs.	300 lbs.

RELATED ACCESSORIES:

- Decks
- 6" Box Tread

4' x 8' Double Skin



DESCRIPTION:

4' x 8' Double Skin. High quality 1 1/8" plywood, smooth finish. Used to double skin decks for heavy loads.

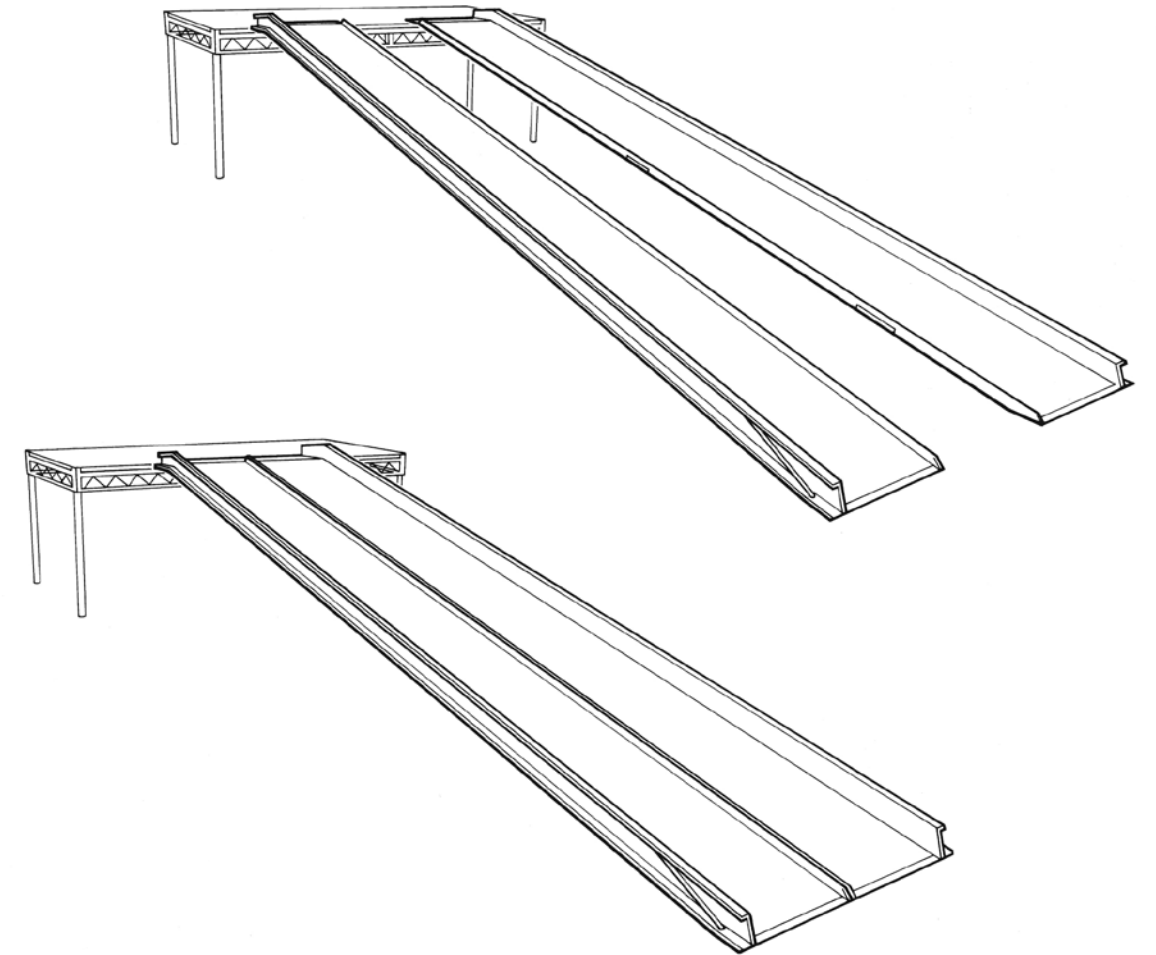
TECHNICAL SPECIFICATIONS:

CARRYING WEIGHT	LOAD CAPACITY
67 lbs.	N/A

RELATED ACCESSORIES:

- Decks

Car Ramps



DESCRIPTION:

Car Ramps. 18" wide x 16' long – constructed from aluminum. Max height for use 4'. Ramp lays on standard decks for use with car exhibits or to wheel equipment onto platforms. Provides safe and smooth ground-to-stage deck access. Ramps also have anti-slip surface.

TECHNICAL SPECIFICATIONS:

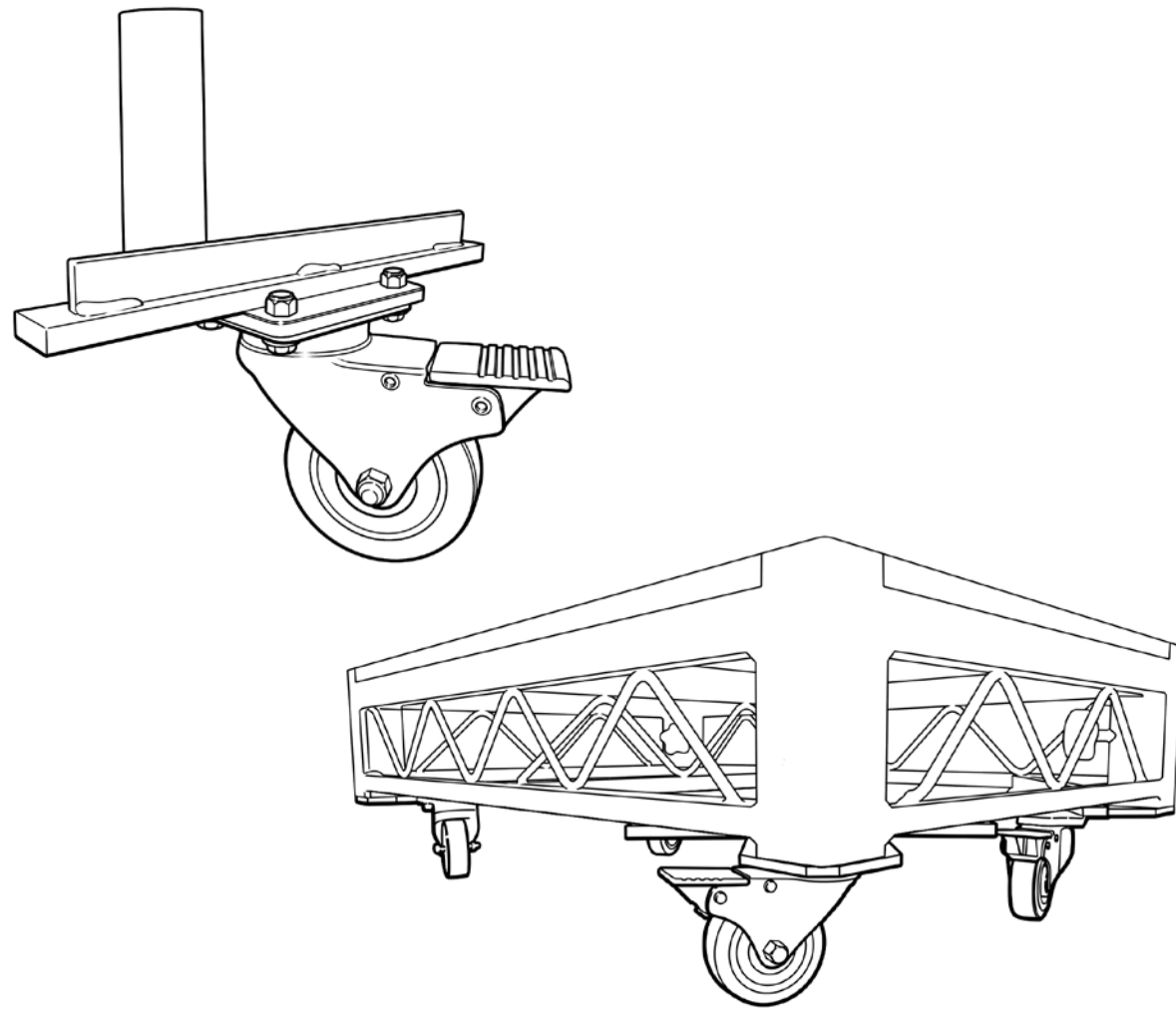
CARRYING WEIGHT	LOAD CAPACITY
116 lbs.	3000 lbs.

RELATED ACCESSORIES:

- Decks

Accessories

12" Caster



DESCRIPTION:

12" caster and bracket allows a rolling Steeldeck® platform to be built at a finished height of 12". Four casters are used per platform, and platforms can be joined together to make larger rolling stages. Made from steel, with a non-marring rubber wheel. Each caster is fitted with a brake which prevents the wheel from both rolling and casting. Wheels caster within the plan of each deck, so platforms can be brought together. Ideal for rolling drum risers.

TECHNICAL SPECIFICATIONS:

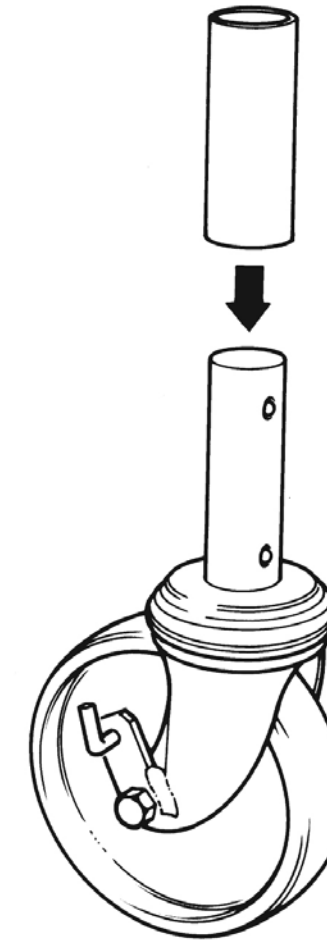
CARRYING WEIGHT	LOAD CAPACITY
7 lbs.	400 lbs.

RELATED ACCESSORIES:

- Decks

Accessories

8" Swivel Caster



DESCRIPTION:

8" Swivel Caster. Heavy duty white nylon swivel caster. Shaft needs to be fitted with caster sleeve to fit to standard deck corner post. Useful for turning a Steeldeck® platform into a cart for moving decks or other objects. Whole platforms can be built on casters at any height up to 8' for moving heavy objects (cars, scenery etc.).

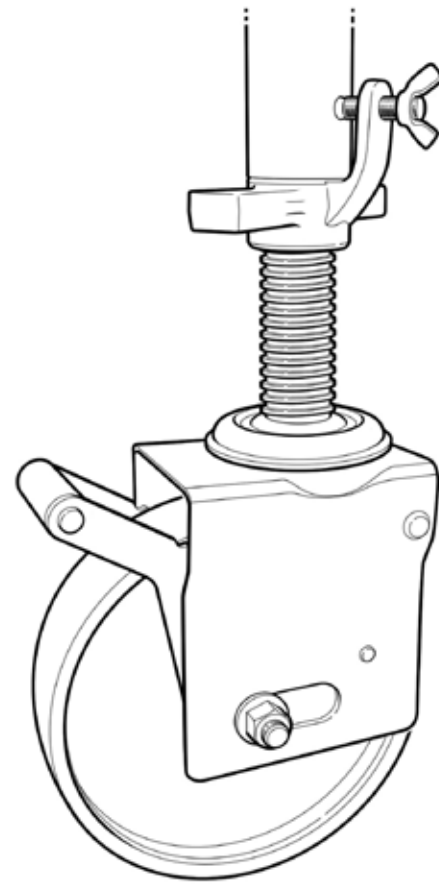
TECHNICAL SPECIFICATIONS:

CARRYING WEIGHT	LOAD CAPACITY
8 lbs.	2000 lbs.

RELATED ACCESSORIES:

- Decks
- Legs
- Caster Sleeve

8" Swivel Caster with Screw Jack



DESCRIPTION:

8" Swivel Caster with heavy duty white nylon wheel with a threaded stem. Pipe is sleeved onto this thread, which is then fitted to platform. Height of platform can then be adjusted. Whole platforms can be built on casters at any height up to 8' for moving heavy objects (cars, scenery, etc.).

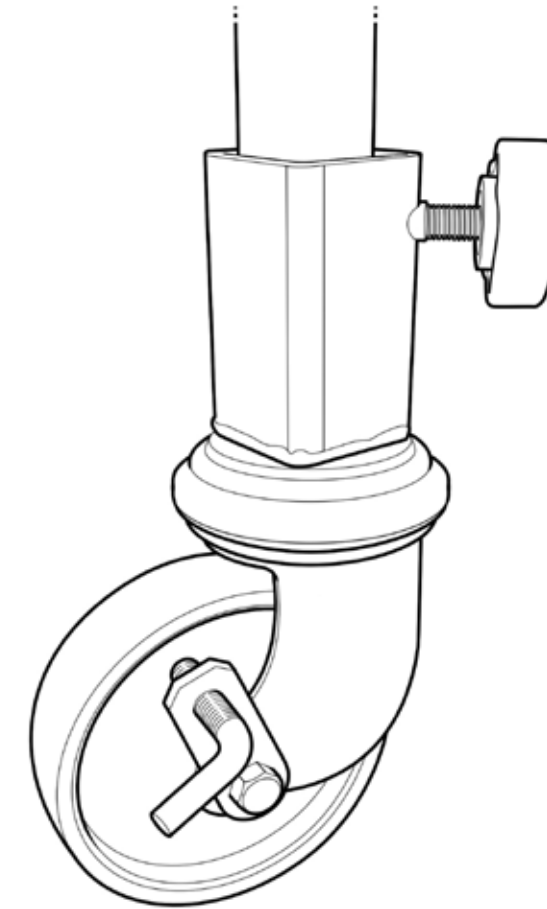
TECHNICAL SPECIFICATIONS:

CARRYING WEIGHT	LOAD CAPACITY
14 lbs.	1500 lbs.

RELATED ACCESSORIES:

- Decks
- Legs
- Caster Sleeve

6" Swivel Caster



DESCRIPTION:

6" Swivel Caster with heavy duty white nylon wheel. Retaining socket and hand knob clamp caster to pipe leg, which is then fitted to platform. Whole platforms can be built on casters at any height up to 8' for moving heavy objects (cars, scenery, etc.).

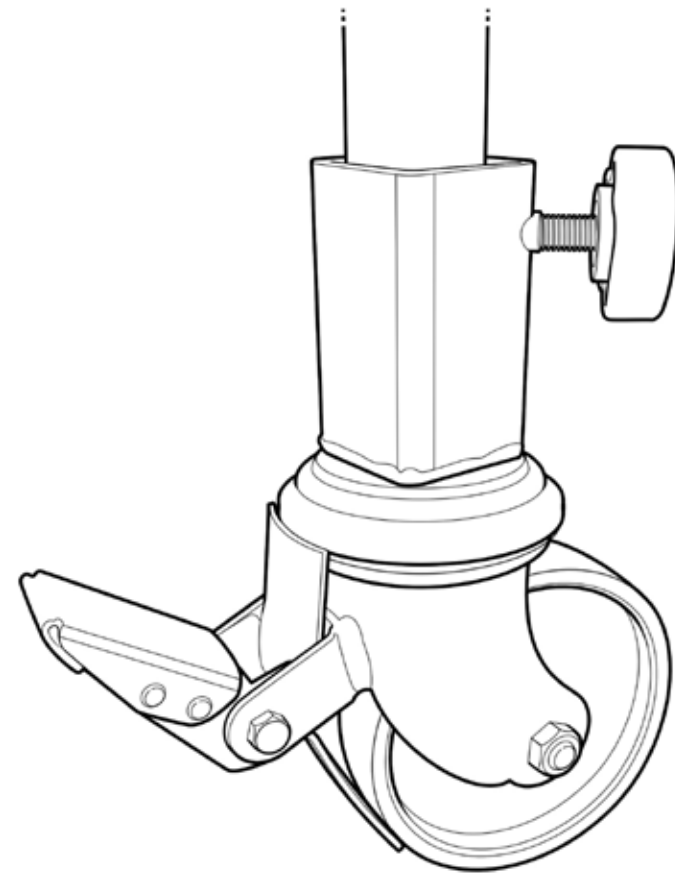
TECHNICAL SPECIFICATIONS:

CARRYING WEIGHT	LOAD CAPACITY
8 lbs.	2000 lbs.

RELATED ACCESSORIES:

- Decks
- Legs
- Caster Sleeve

6" Swivel Caster with Foot Brake



DESCRIPTION:

6" Swivel Caster with heavy duty white nylon wheel. Retaining socket and hand knob clamp caster to pipe leg, which is then fitted to platform. Whole platforms can be built on casters at any height up to 8' for moving heavy objects (cars, scenery, etc.). This caster is fitted with a heavy duty foot brake to lock the caster for both roll and swivel.

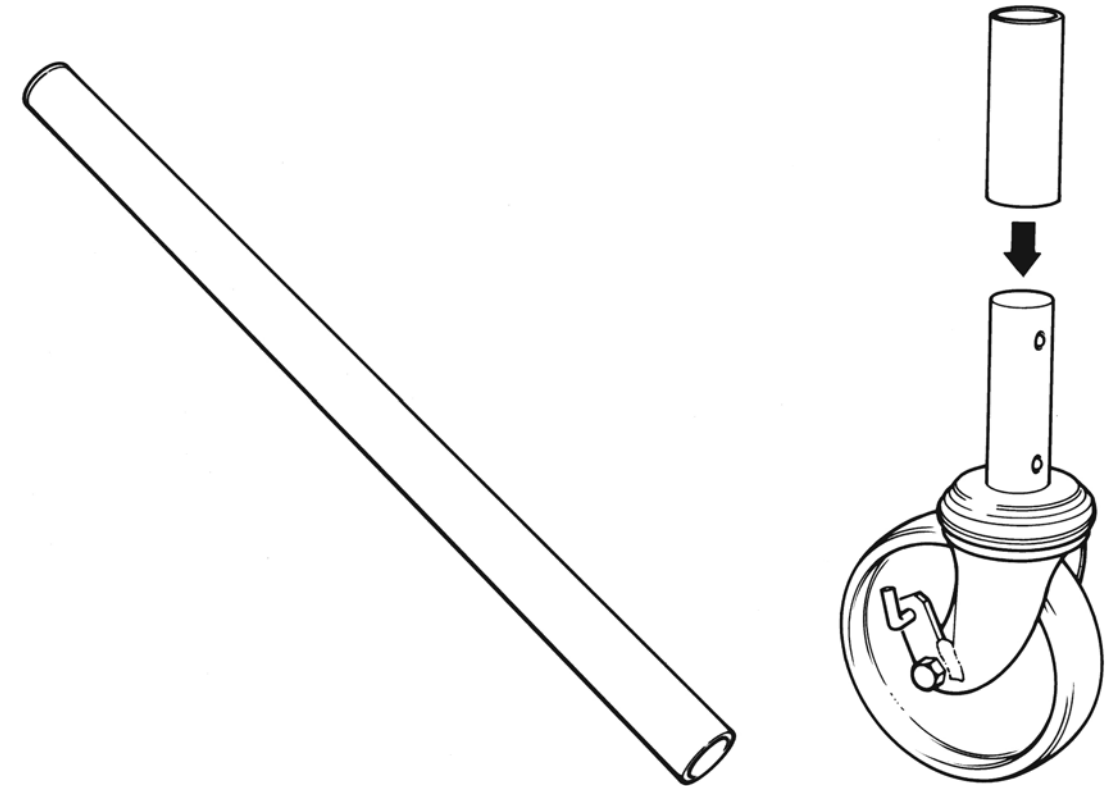
TECHNICAL SPECIFICATIONS:

CARRYING WEIGHT	LOAD CAPACITY
10 lbs.	2000 lbs.

RELATED ACCESSORIES:

- Decks
- Legs
- Caster Sleeve

Caster Sleeve



DESCRIPTION:

Caster Sleeve. Used with 6" or 8" swivel caster to upgrade the shaft to 1½" dia. pipe to fit into a Steeldeck® platform corner post. Also available with a welded-on coupler (see page 14).

Available Sleeve Lengths:

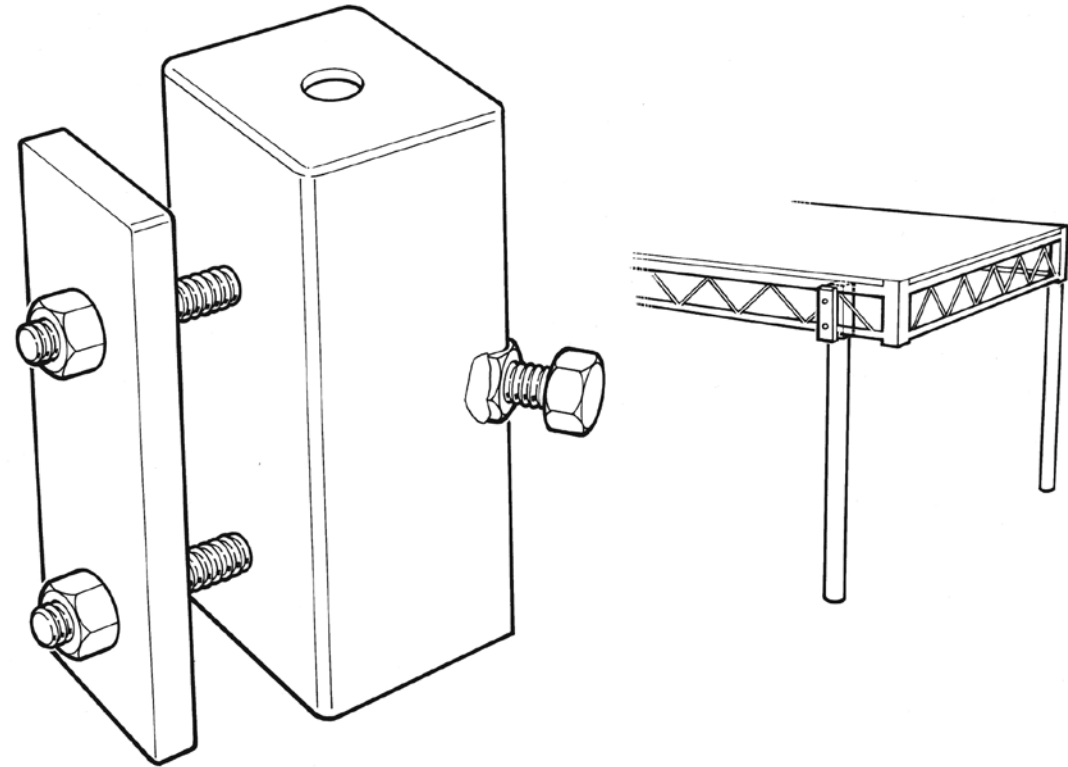
Min. Height 20"	42" (3' 6")	66" (5' 6")	90" (7' 6")
24" (2')	48" (4')	72" (6')	96" (8')
30" (2' 6")	54" (4' 6")	78" (6' 6")	
36" (3')	60" (5')	84" (7')	

TECHNICAL SPECIFICATIONS:

CARRYING WEIGHT	LOAD CAPACITY
2.7 lbs./ft.	2000 lbs.

RELATED ACCESSORIES:

- Decks
- Legs and Couplers
- Casters



DESCRIPTION:

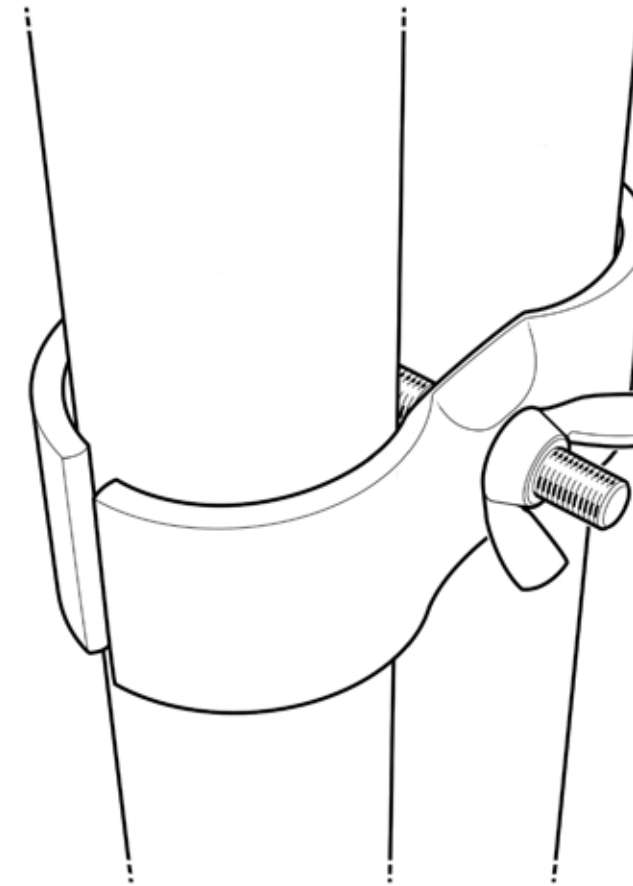
Moveable Corner Posts. Same construction as standard Steeldeck® platform corner post, except that the unit comes with a back plate so that it can be bolted in any position along the frame of the deck. Provides leg position when the platform has to cantilever to clear an obstruction.

TECHNICAL SPECIFICATIONS:

CARRYING WEIGHT	LOAD CAPACITY
4 lbs.	200 lbs.

RELATED ACCESSORIES:

- Decks
- Legs



DESCRIPTION:

Formed steel clamp which connects two parallel pipes. Useful for joining two platforms of different heights together, such as in an audience riser.

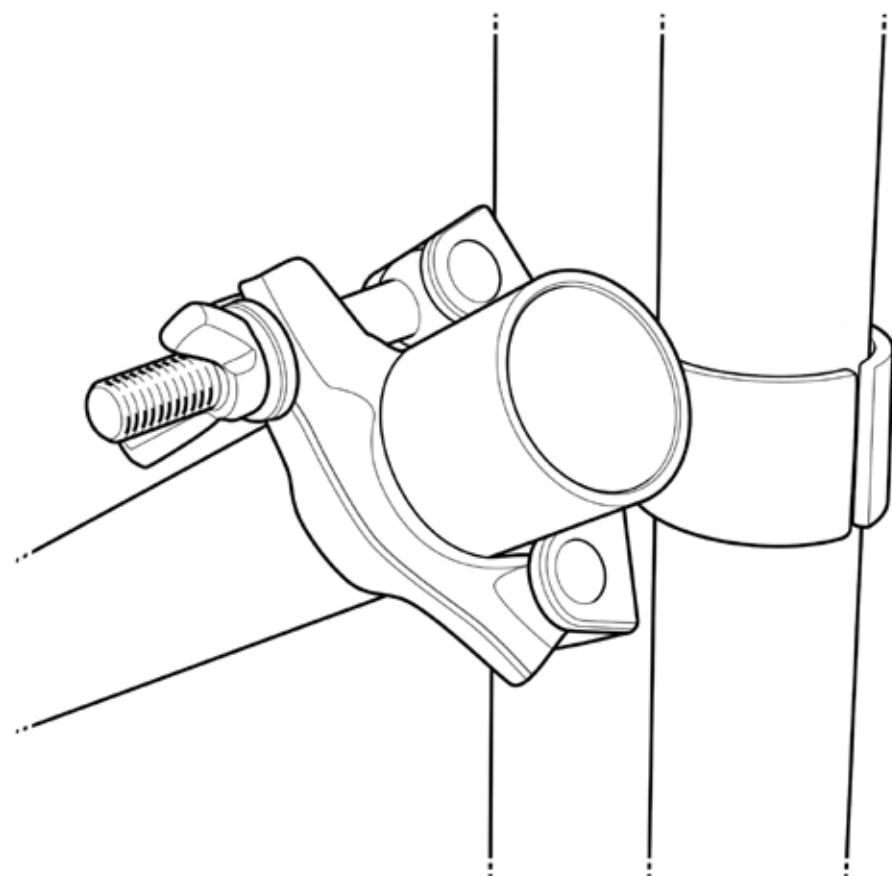
TECHNICAL SPECIFICATIONS:

CARRYING WEIGHT	LOAD CAPACITY
1.5 lbs.	500 lbs.

RELATED ACCESSORIES:

- Decks
- Legs
- Caster Sleeve

“Oops” Clamp



DESCRIPTION:

There’s a reason for the name: when a stage is already built with four legs per platform, and later needs to have bracing added, this clamp is fitted to pairs of legs around the perimeter. Diagonal tubes can be added using the half swivel to add stiffness. Formed steel clamp which connects two parallel pipes, with a half swivel to add a third pipe.

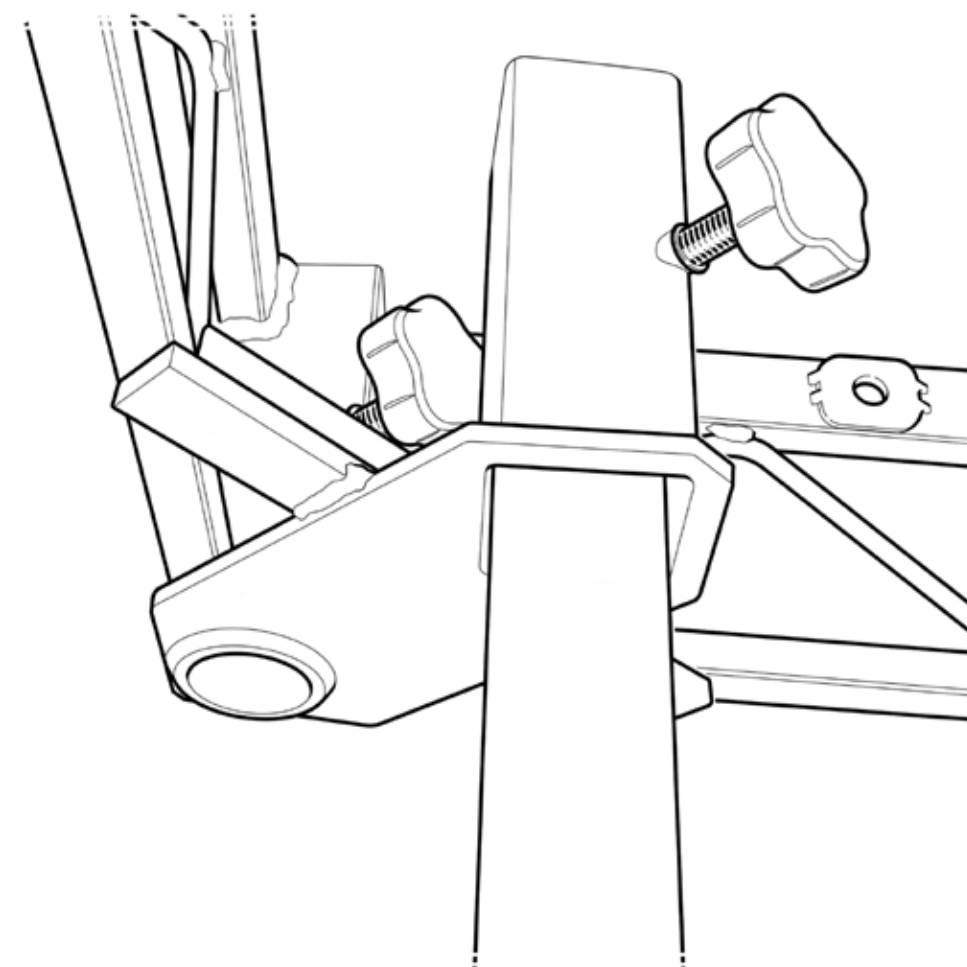
TECHNICAL SPECIFICATIONS:

CARRYING WEIGHT	LOAD CAPACITY
1.5 lbs.	500 lbs.

RELATED ACCESSORIES:

- Decks
- Legs
- Caster sleeve

Inset Post



DESCRIPTION:

Steel bracket which clamps in to a Steeldeck® platform cornerpost. It has its own socket which allows the leg or caster sleeve to be inset from the perimeter of the platform. This is essential when butting up two rolling platforms, so the casters do not collide or interfere with each other. It is sometimes used to avoid a leg hitting an obstruction in a building, such as theatrical seating or floor vents.

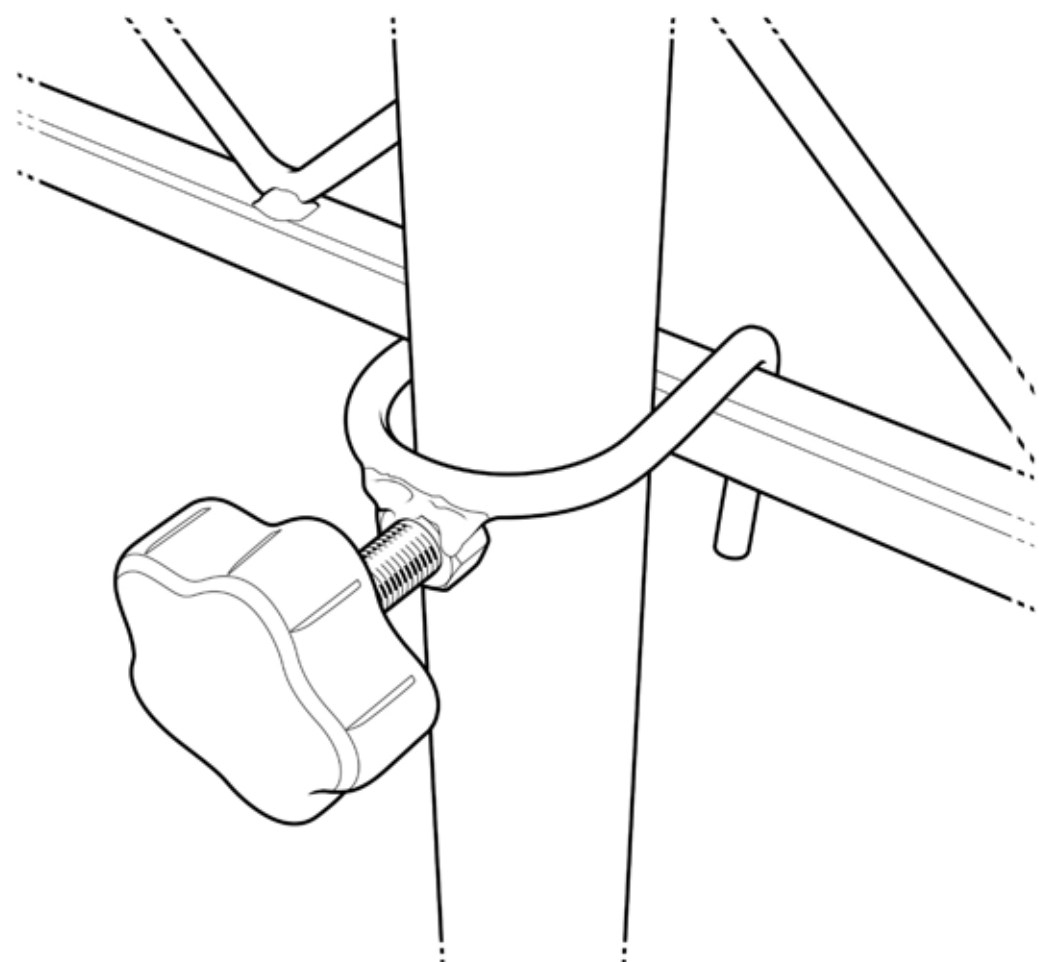
TECHNICAL SPECIFICATIONS:

CARRYING WEIGHT	LOAD CAPACITY
3 lbs.	1000 lbs.

RELATED ACCESSORIES:

- Decks
- Legs
- Caster sleeve

Hook to Connect Platform Leg to Truss



DESCRIPTION:

Steel hook which allows the connection of a 1 1/2" schedule 40 pipe leg of one platform to the truss of another platform. Essential for tiered platforms, where one row's legs do not line up with the next row.

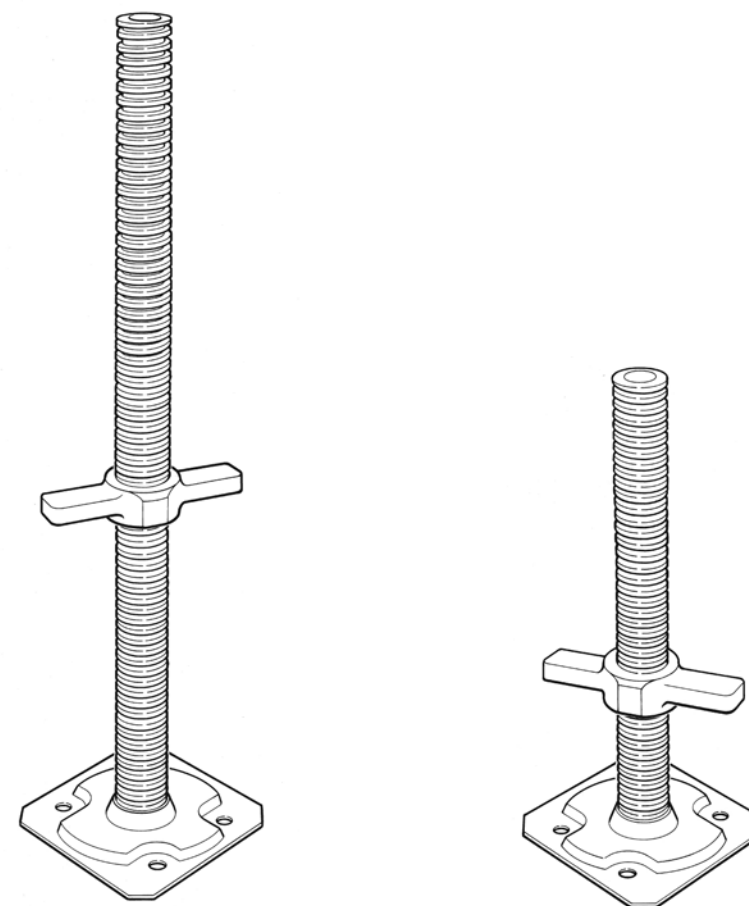
TECHNICAL SPECIFICATIONS:

CARRYING WEIGHT	LOAD CAPACITY
1/2 lb.	100 lbs.

RELATED ACCESSORIES:

- Decks
- Legs
- Caster sleeve

Screw Jack



DESCRIPTION:

Screw Jack. Available in two sizes 2' and 1'. A high tensile steel threaded tube. Rounded (not acme) threads to guard against debris build-up. Short arm nut provides adjustment of Steeldeck® platform legs to allow for uneven ground.

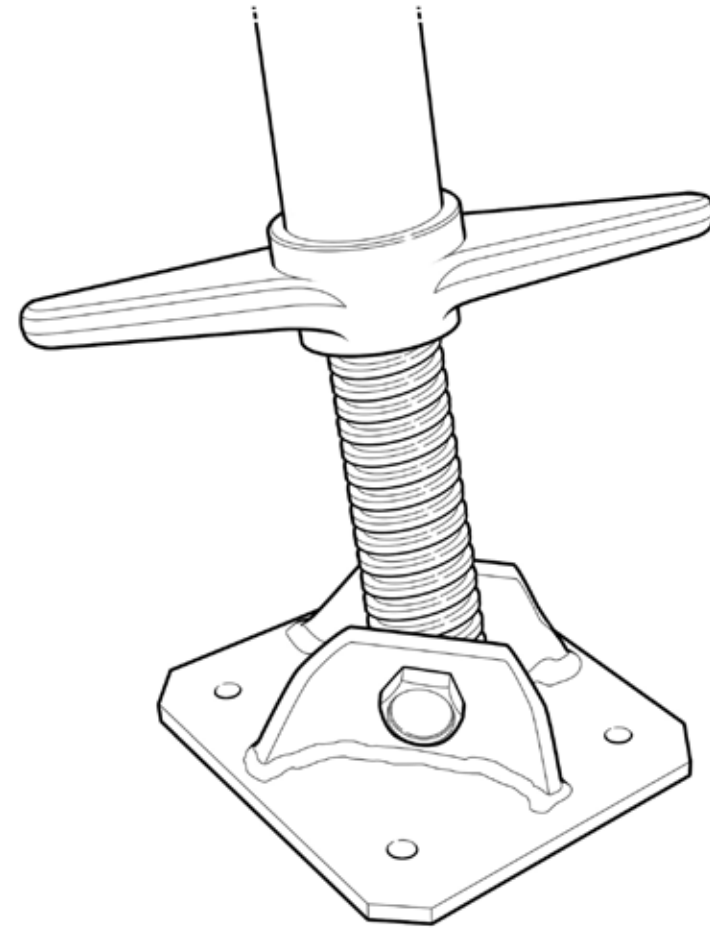
TECHNICAL SPECIFICATIONS:

	CARRYING WEIGHT	LOAD CAPACITY
1'	5 lbs.	2000 lbs.
2'	8 lbs.	2000 lbs.

RELATED ACCESSORIES:

- Decks
- Legs

Swivel-Base Screw Jack



DESCRIPTION:

Similar to a regular screw jack, but with a swivel to allow the baseplate to hinge. This accommodates steep slopes. High tensile steel tubular thread. Wing nut provides adjustment of Steeldeck® platform legs to allow for uneven ground.

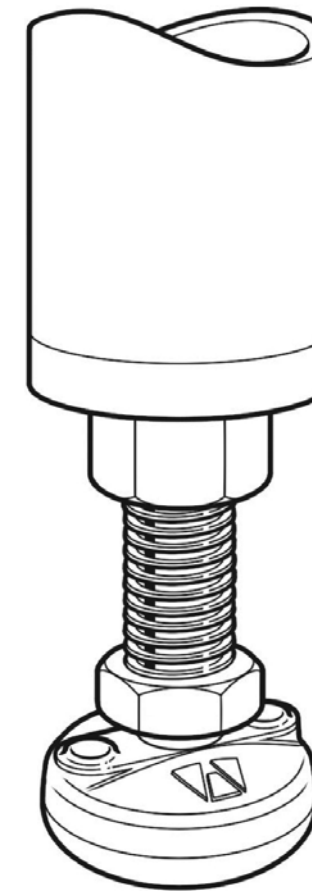
TECHNICAL SPECIFICATIONS:

	CARRYING WEIGHT	LOAD CAPACITY
1'	8.5 lbs.	1500 lbs.
2'	10 lbs.	1500 lbs.

RELATED ACCESSORIES:

- Decks
- Legs

Adjusting Foot



DESCRIPTION:

Swiveling adjusting foot uses a 3/4" – 10 thread to make up to 4" of height adjustment to a pipe leg. Locking nuts are fitted to prevent creeping in use. Larger teardrop-shaped base plates are available to allow the foot to be bolted down to the sub-floor. Useful in situations requiring small height adjustment, such as orchestra pits. Finish: black glass reinforced nylon foot and zinc plated steel thread. Adjustable foot for sale only.

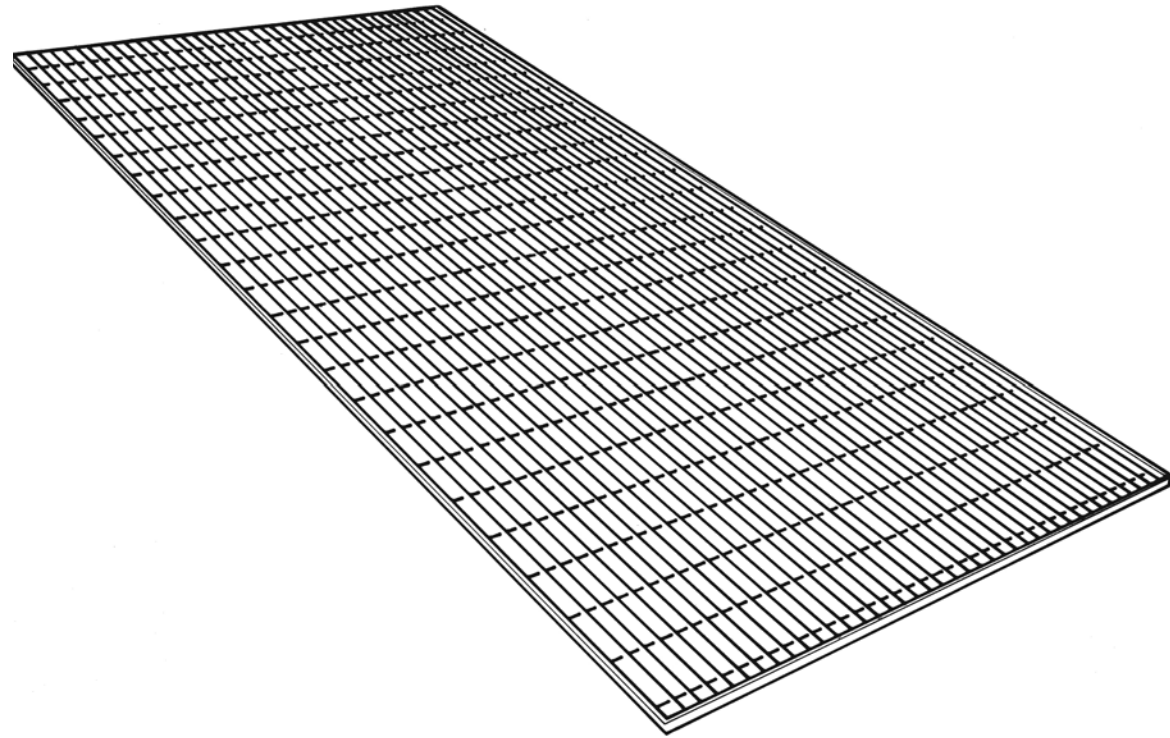
TECHNICAL SPECIFICATIONS:

	CARRYING WEIGHT	LOAD CAPACITY
	1 lbs.	5000 lbs.

RELATED ACCESSORIES:

- Decks
- Legs

Bar Grating (Aluminum)



DESCRIPTION:

Bar Grating. 4' x 8' x 1" Gal 100 Aluminum Grating. Holes 1" x 4". Can be fitted to top of decks to replace plywood. Used by Set/Lighting Designers for special effects, such as uplighting, water effects, or smoke.

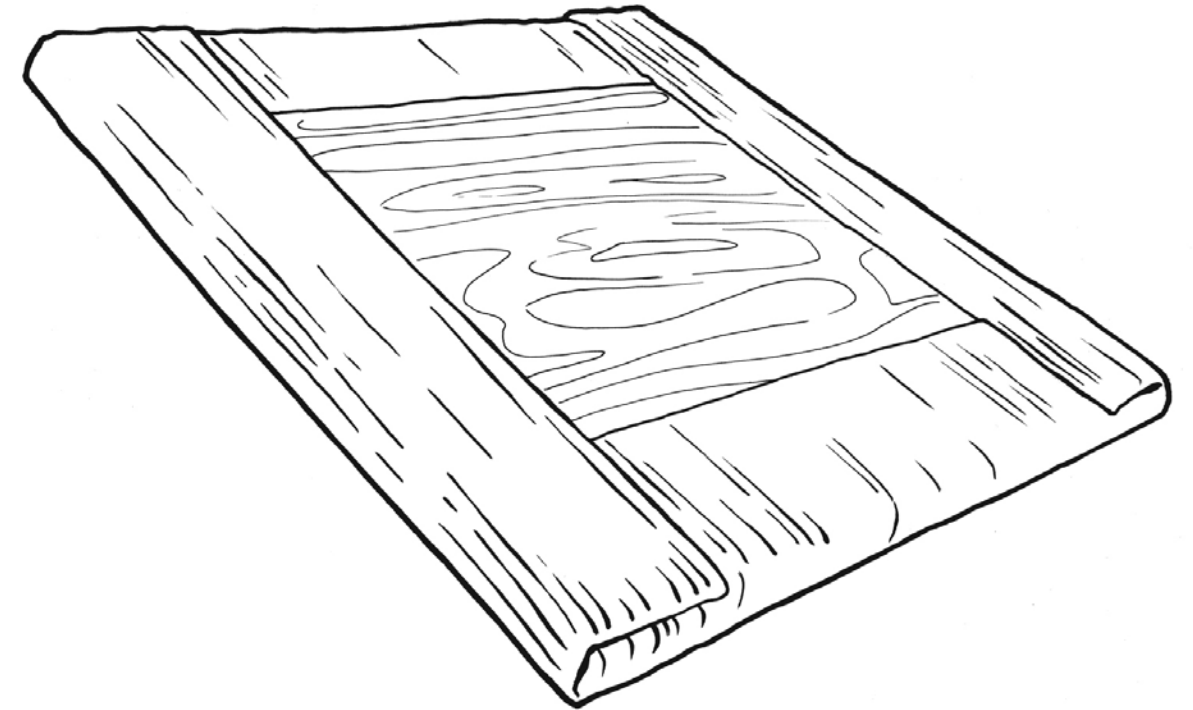
TECHNICAL SPECIFICATIONS:

CARRYING WEIGHT	LOAD CAPACITY
83 lbs.	4000 lbs.

RELATED ACCESSORIES:

- Decks

Packing



DESCRIPTION:

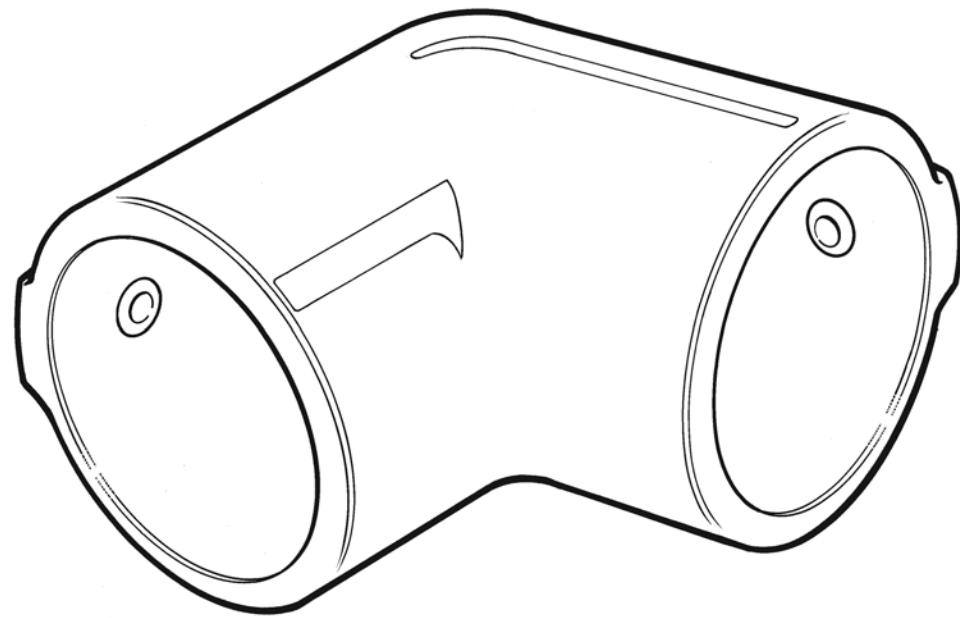
Packing. 12" x 12" x 3/4" wood blocks carpet covered. Used under legs and screw jacks to protect floors.

TECHNICAL SPECIFICATIONS:

CARRYING WEIGHT	LOAD CAPACITY
1.5 lbs.	1000 lbs.

RELATED ACCESSORIES:

- Decks
- Screw Jacks
- Legs



DESCRIPTION:

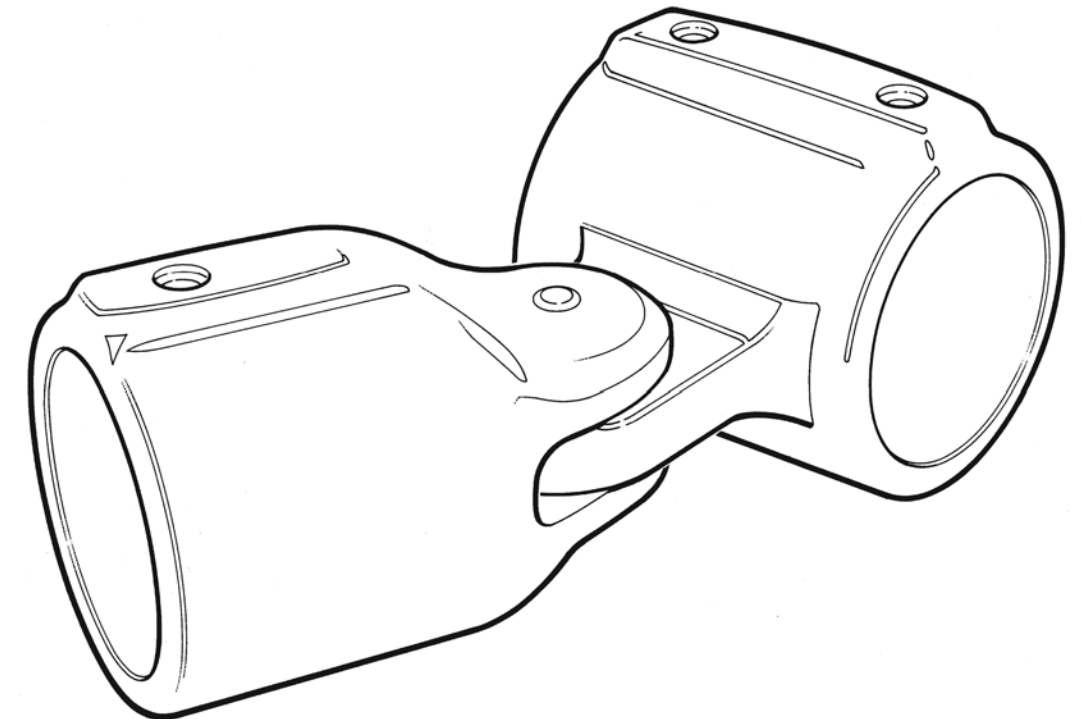
Elbow – Hollaender fitting No3 ELL. Used for connecting pipe at right angles for handrails.
 $\frac{3}{16}$ Hex key pinch bolt to hold pipe in place. Mill finish.

TECHNICAL SPECIFICATIONS:

CARRYING WEIGHT	LOAD CAPACITY
.7 lbs.	200 lbs.

RELATED ACCESSORIES:

- Handrails
- Steel pipe 1 1/2" Schedule 40
- Brace Joiner
- Moveable Handrail Upright



DESCRIPTION:

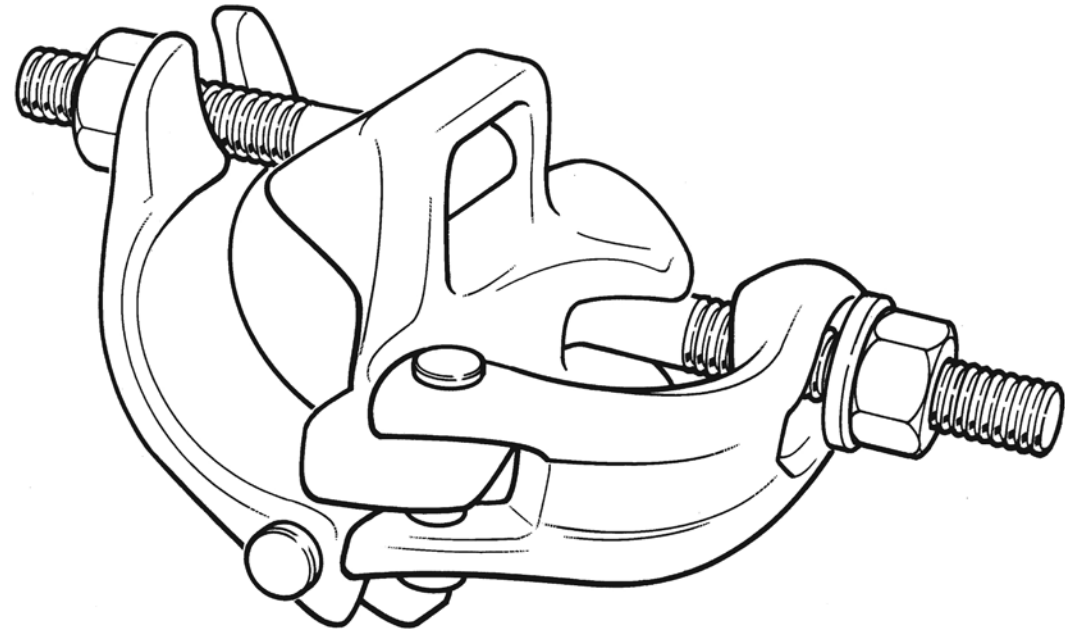
Adjustable Elbow or Tee. Hollaender fitting No17. Used for connecting pipe at an angle to vertical pipe for handrails. $\frac{3}{16}$ Hex key pinch bolt to hold pipe in place.

TECHNICAL SPECIFICATIONS:

CARRYING WEIGHT	LOAD CAPACITY
1.2 lbs.	200 lbs.

RELATED ACCESSORIES:

- Handrails
- Brace Joiner
- Steel pipe 1 1/2" Schedule 40

**DESCRIPTION:**

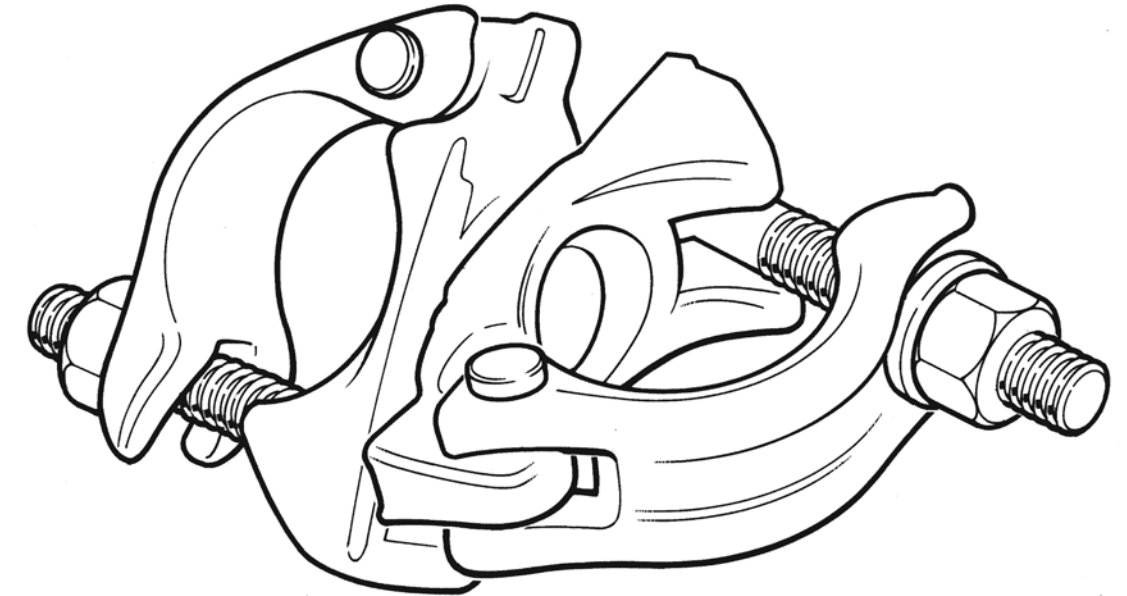
Fixed Clip. Standard scaffold connector for joining two 1 1/2" Schedule 40 pipes at 90 degrees. Used for bracing around base of legs. Finish: Galvanized.

TECHNICAL SPECIFICATIONS:

CARRYING WEIGHT	LOAD CAPACITY
2.5 lbs.	1500 lbs.

RELATED ACCESSORIES:

- Decks
- Legs

**DESCRIPTION:**

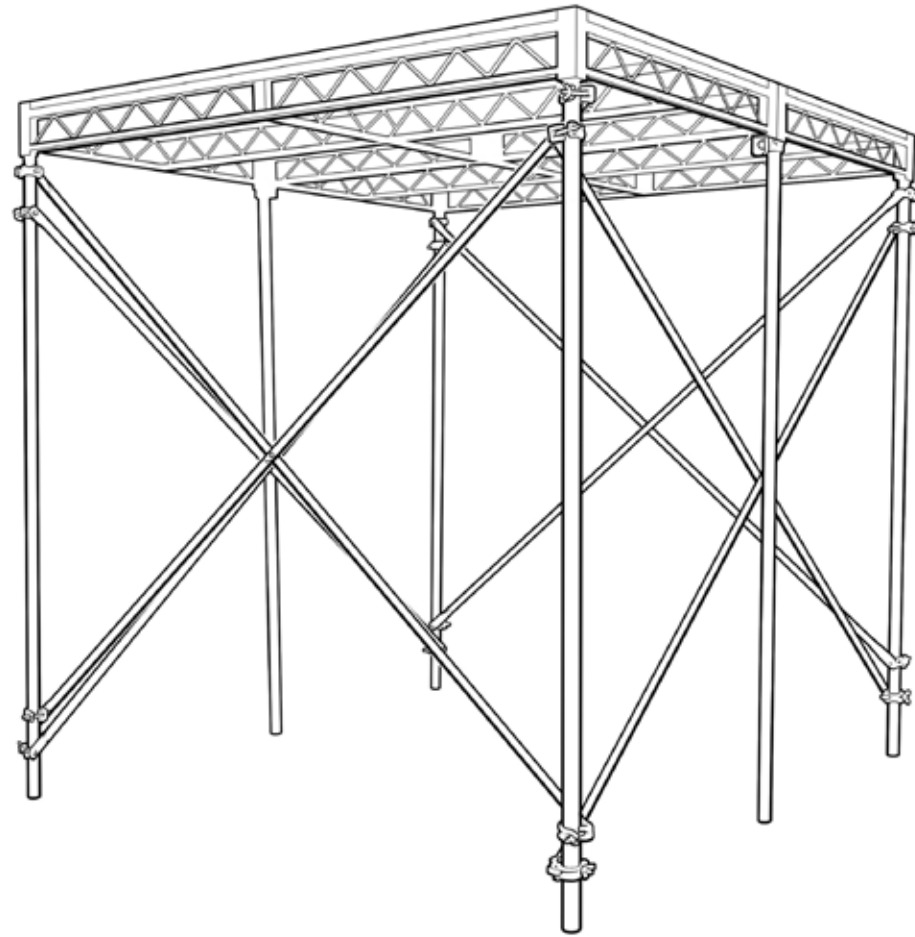
Swivel Clip. Standard scaffold connector for joining two 1 1/2" Schedule 40 pipes at any angle. Used for cross bracing of legs when decks are installed over 4ft. Finish: galvanized.

TECHNICAL SPECIFICATIONS:

CARRYING WEIGHT	LOAD CAPACITY
3.5 lbs.	1500 lbs.

RELATED ACCESSORIES:

- Decks
- Legs



DESCRIPTION:

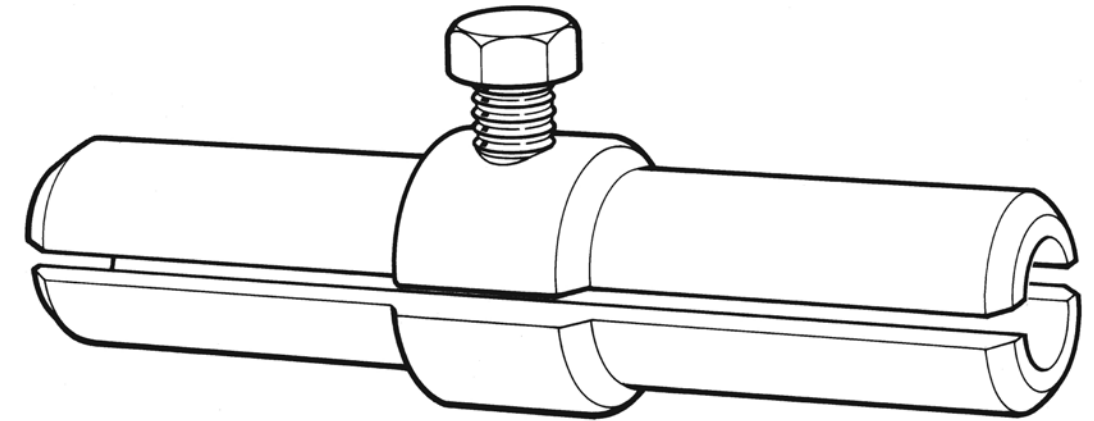
"X" Braces use two articulating steel tubes with four attached half swivel clamps to create a very efficient brace for Steeldeck® platforms above 4' high. Easily carried and assembled compared with traditional pipe and clamp bracing.

TECHNICAL SPECIFICATIONS:

"X" BRACE SIZE	CARRYING WEIGHT	LOAD CAPACITY
10'	20 lbs.	1000 lbs.
9'	19 lbs.	1000 lbs.
8'	18 lbs.	1000 lbs.

RELATED ACCESSORIES:

- Decks
- Legs



DESCRIPTION:

Brace Joiner. Used for joining 1 1/2" dia. pipe in line. Finish: galvanized zinc.

TECHNICAL SPECIFICATIONS:

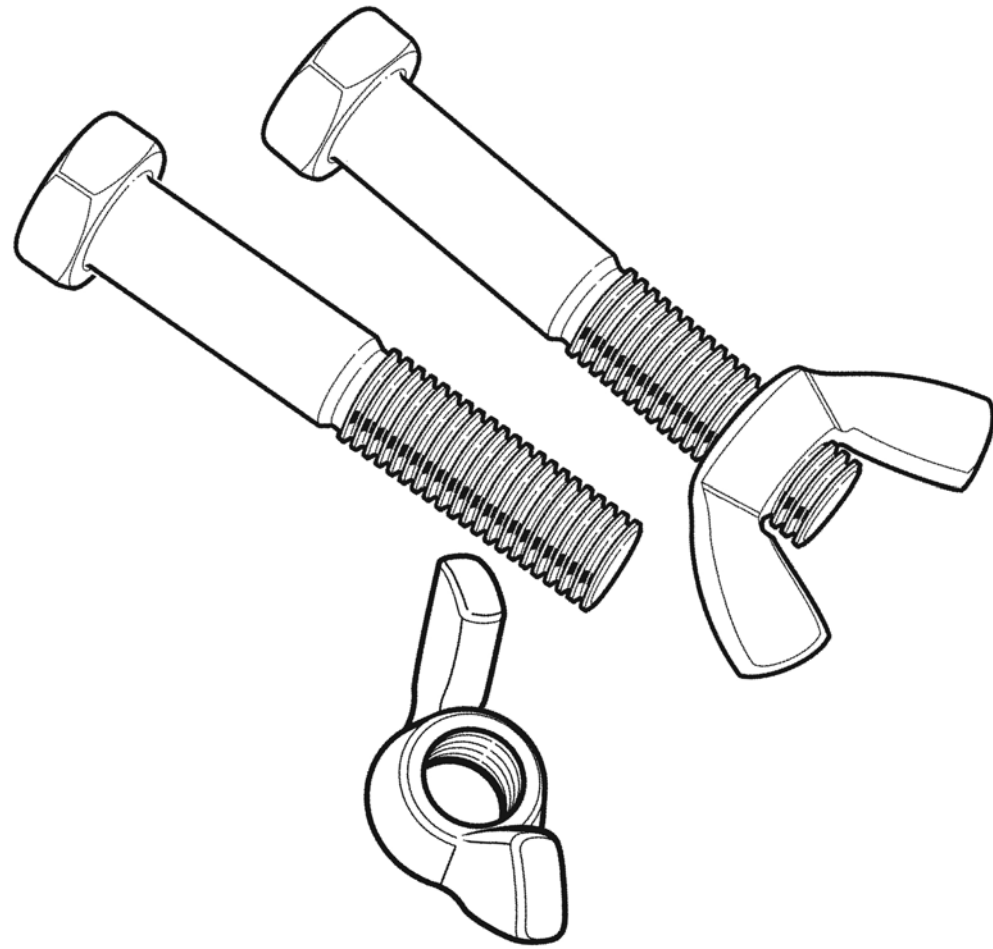
CARRYING WEIGHT	LOAD CAPACITY
2.5 lbs.	200 lbs.

RELATED ACCESSORIES:

- Handrails
- Steel pipe 1 1/2" Schedule 40
- Elbow – Hollaender Fitting
- Adjustable Elbow or Tee – Hollaender Fitting

Fittings

M10 x 60mm Bolts



DESCRIPTION:

M10 x 60mm (Grade 8.8) bolts with wing nut. Used for joining decks through pre-drilled holes along all edges of standard decks. Finish: zinc plated.

TECHNICAL SPECIFICATIONS:

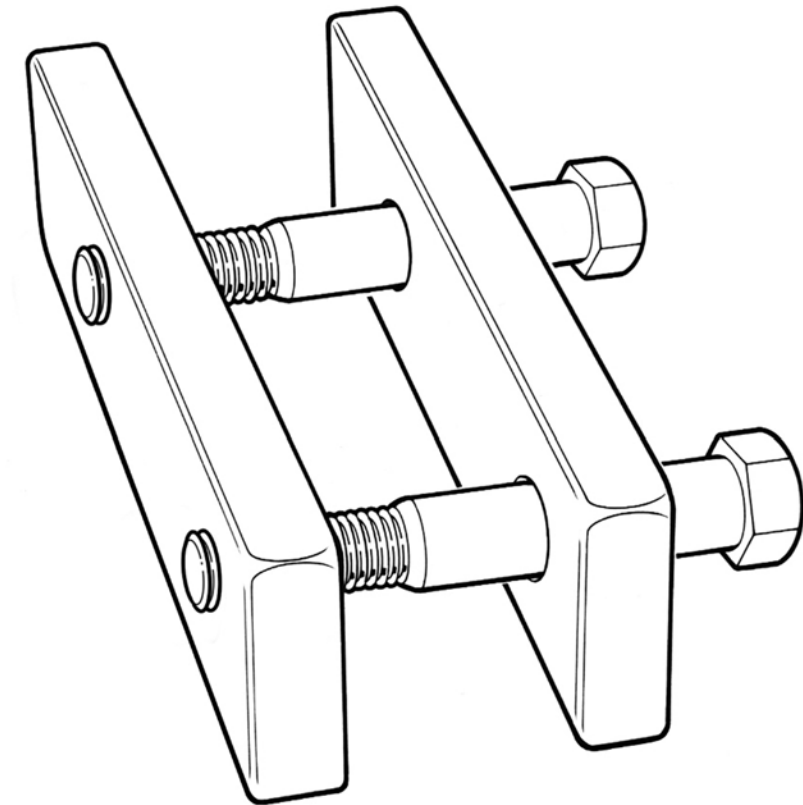
CARRYING WEIGHT	LOAD CAPACITY
50=6.5 lbs.	N/A

RELATED ACCESSORIES:

- Decks
- Left/Right Hand Couplers

Fittings

Joint Plates



DESCRIPTION:

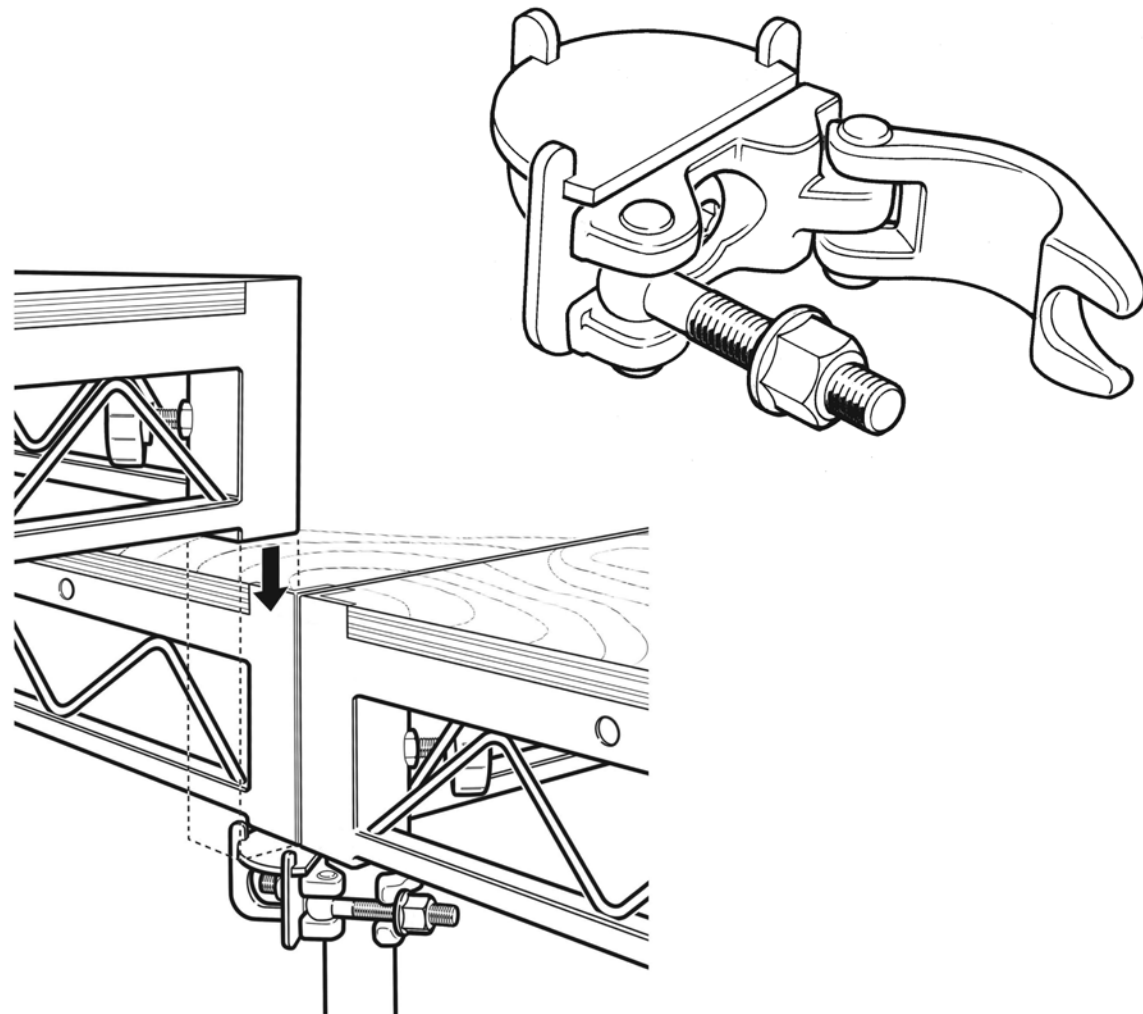
Joint Plates. Two steel plates with pre-drilled holes for M12 x 80 bolts. Used for clamping two decks together without using the holes in the decks. Allows offset adjustments for infills. Also used when leaving legs out of decks to "bridge" obstructions. Finish: zinc plated.

TECHNICAL SPECIFICATIONS:

CARRYING WEIGHT	LOAD CAPACITY
2.5 lbs.	250 lbs.

RELATED ACCESSORIES:

- Decks



DESCRIPTION:

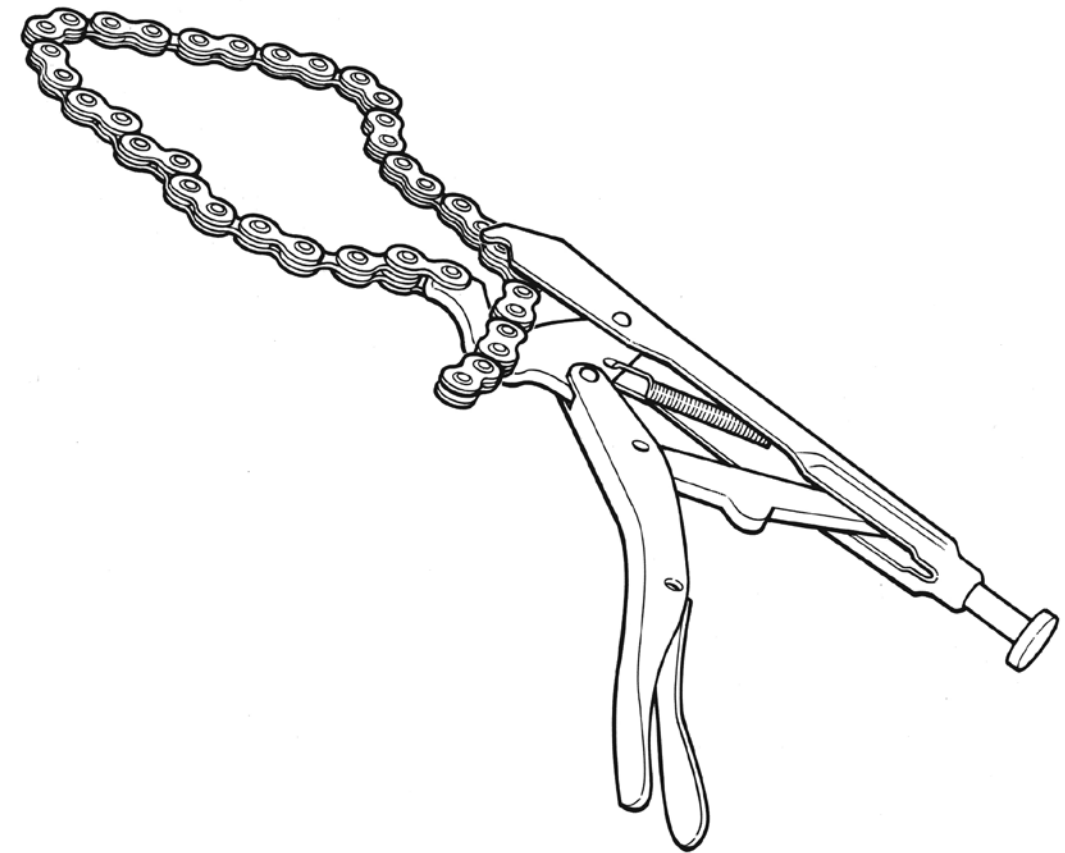
Left and Right Hand Coupler. Scaffold clamp with attachment plate either left or right hand to join two or more decks together with the use of one leg. Finish: zinc plated. See sketch above for detail. It is important to always use all platform connecting bolts with this fitting. Not using bolts will result in the fitting slipping, which can cause damage and injuries.

TECHNICAL SPECIFICATIONS:

CARRYING WEIGHT	LOAD CAPACITY
3 lbs.	3000 lbs.

RELATED ACCESSORIES:

- Decks
- Legs
- M10 x 60mm Bolts



DESCRIPTION:

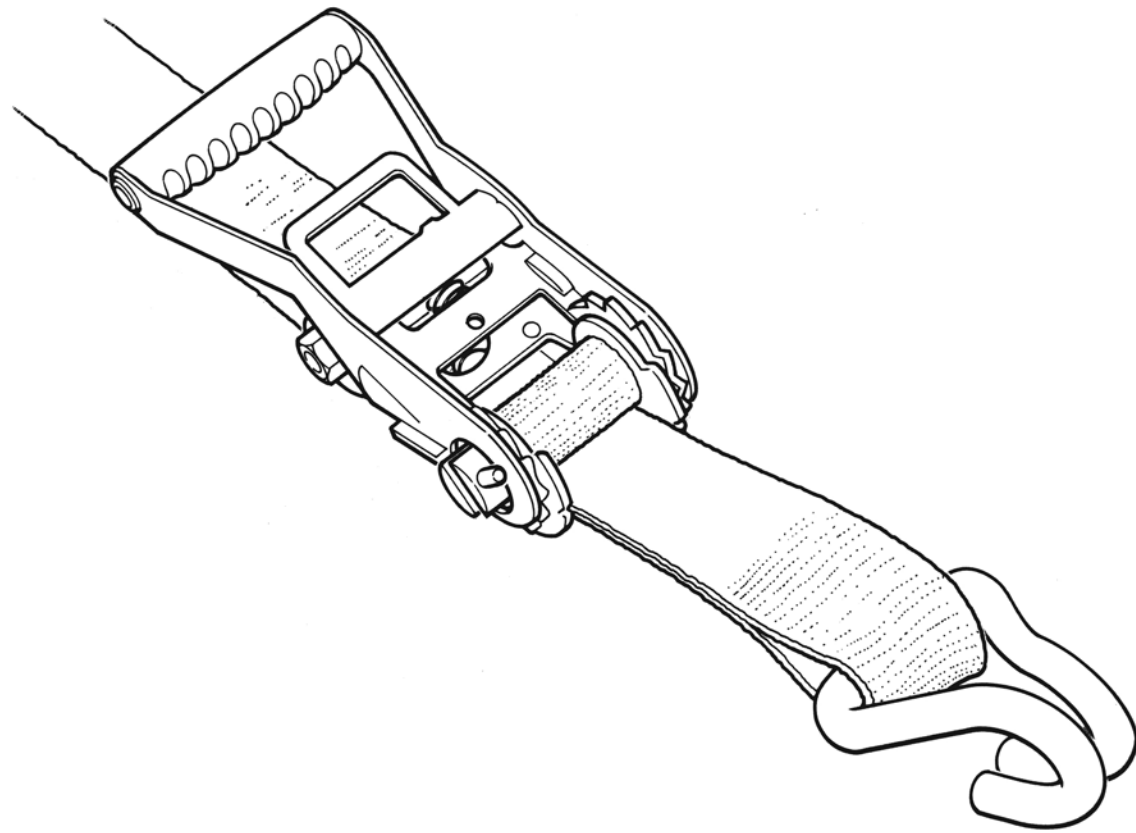
Chain Clamp. Used to secure any item to another. Holds materials of various sizes and can be adjusted quickly. Same operation as standard vise clamp. Used to clamp parallel legs together on adjacent decks.

TECHNICAL SPECIFICATIONS:

CARRYING WEIGHT	LOAD CAPACITY
1.5 lbs.	250 lbs.

RELATED ACCESSORIES:

- Decks
- Legs
- Steps



DESCRIPTION:

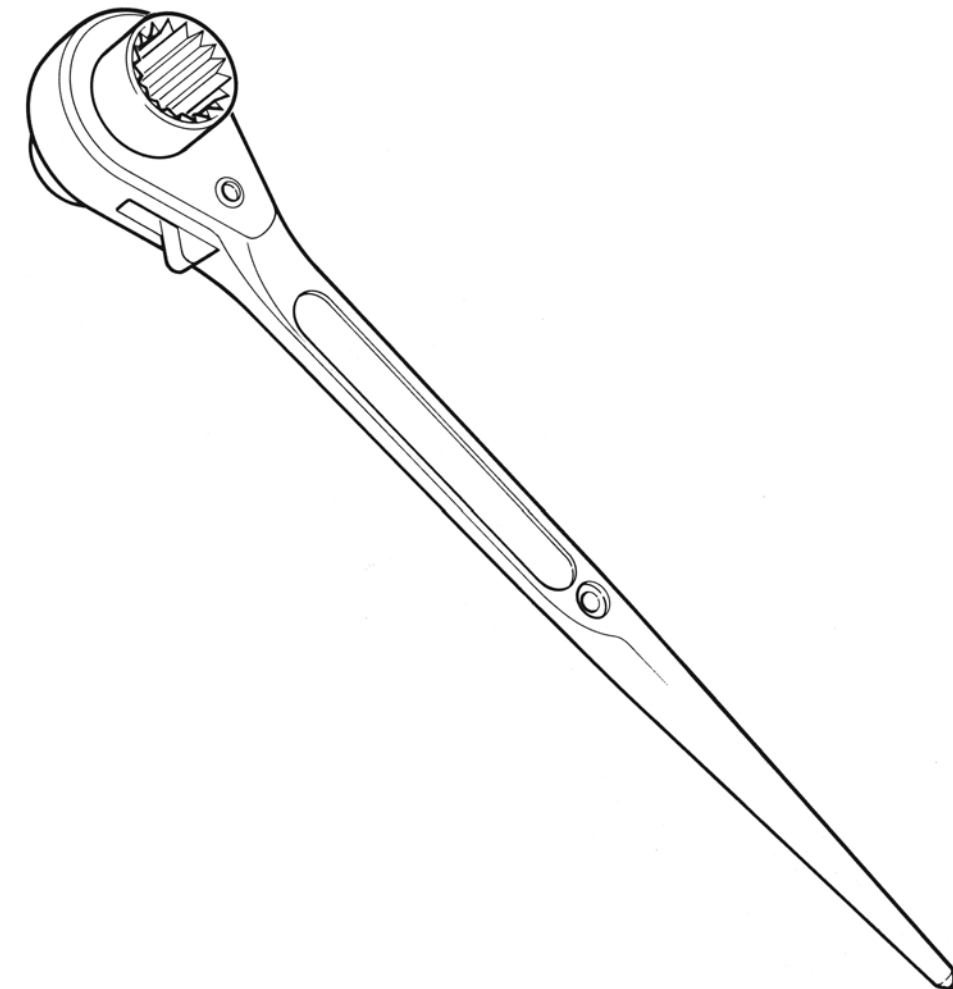
Ratchet Straps. New Haven – 2" x 16' heavy duty tie down for securing loads in transportation. Yellow webbing with hook attachment.

TECHNICAL SPECIFICATIONS:

CARRYING WEIGHT	LOAD CAPACITY
4 lbs.	Breaking Strength – 10,000 lbs. Working Load Limit – 3335 lbs.

RELATED ACCESSORIES:

- Decks
- Guardrails
- Guardrail Rack



DESCRIPTION:

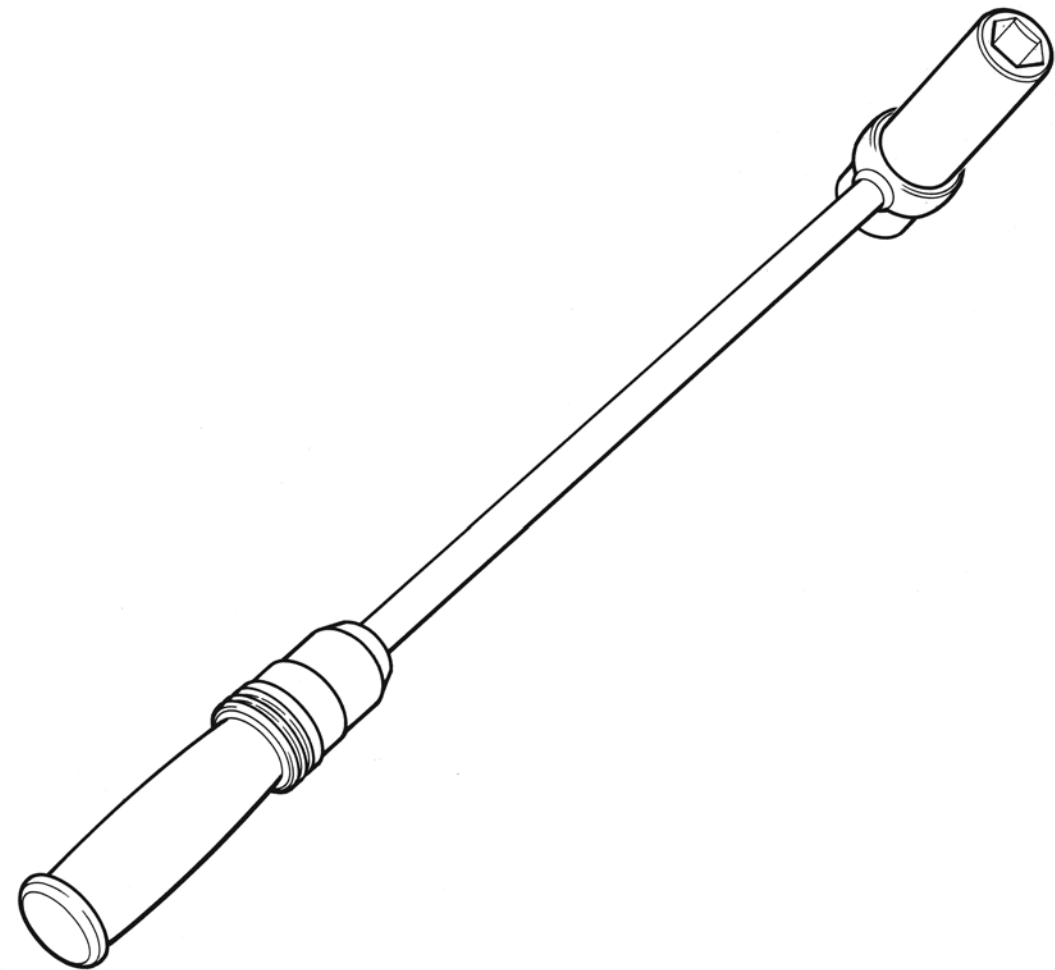
Supertool. Steeldeck® platform hand ratchet with combination socket. Available in either 19/22mm or 17/19mm.

TECHNICAL SPECIFICATIONS:

CARRYING WEIGHT	LOAD CAPACITY
1.5 lbs.	100 ft lbs.

RELATED ACCESSORIES:

- Decks



DESCRIPTION:

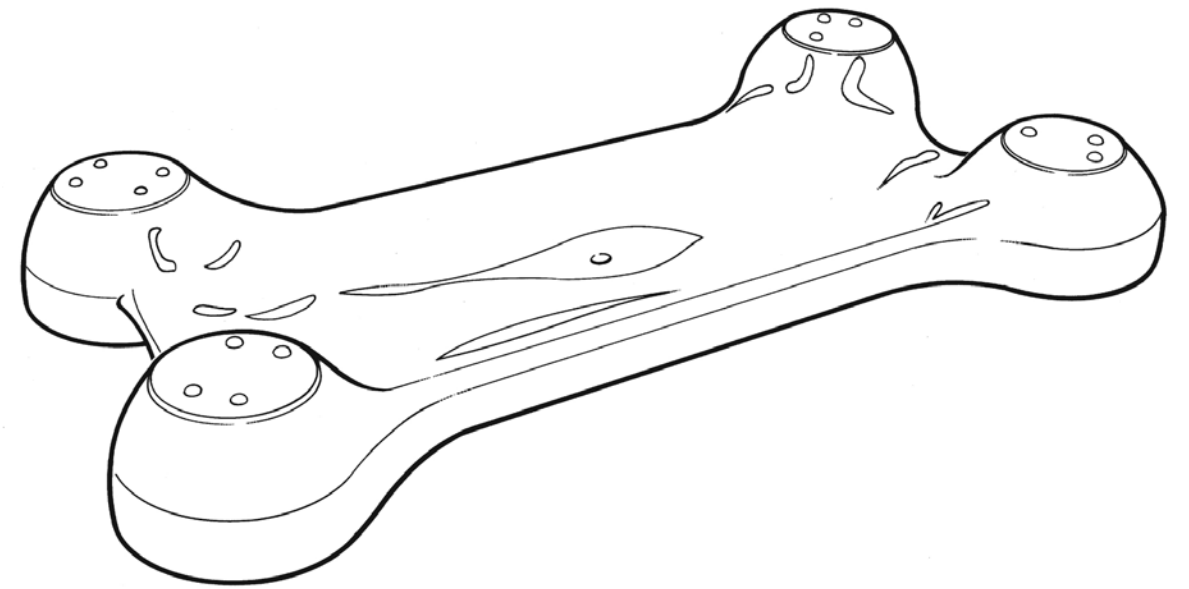
Torque Wrench. Used to set correctly the recommended 40 ft. lbs. bolt setting on couplers and scaffolding clamps.

TECHNICAL SPECIFICATIONS:

CARRYING WEIGHT	LOAD CAPACITY
2.5 lbs.	200 ft lb.

RELATED ACCESSORIES:

- Decks



DESCRIPTION:

Creeper. Low unit with wheel in each corner. Constructed from heavy duty moulded plastic. Virtually unbreakable. Used to make access easier under low stages to secure bolts between decks.

TECHNICAL SPECIFICATIONS:

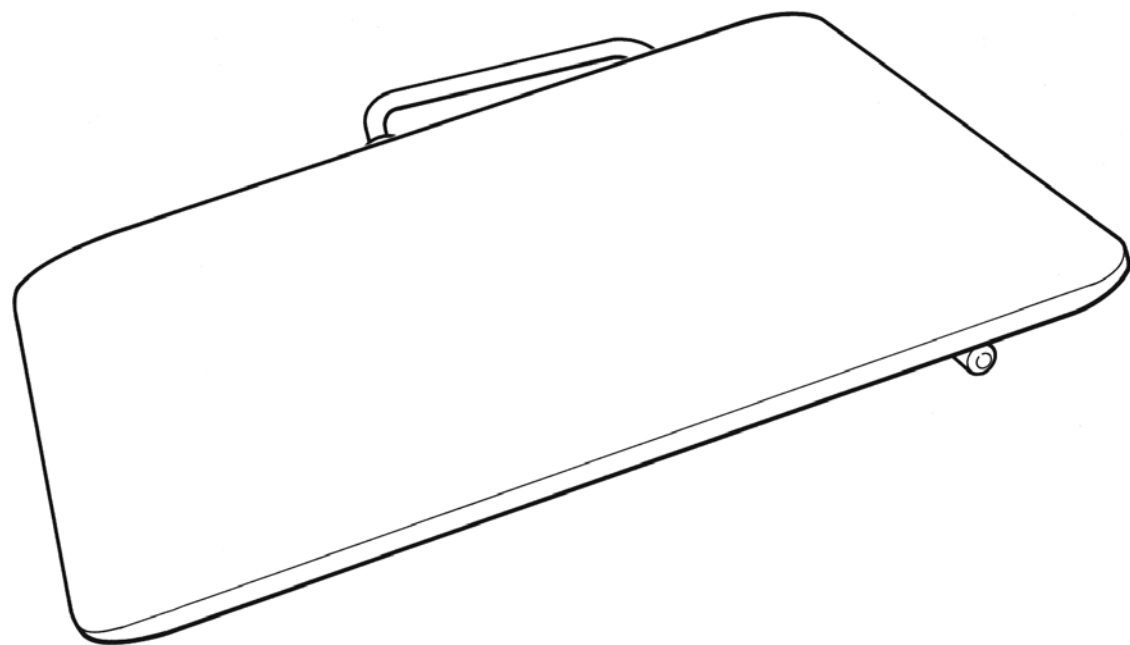
CARRYING WEIGHT	LOAD CAPACITY
20 lbs.	250 lbs.

RELATED ACCESSORIES:

- Decks

Handling

Curb Plates



DESCRIPTION:

Curb Plates. Constructed from 12" x 12" x 1/4" steel plate with carrying handle. Provides access ramp over street curbs. Lightweight and portable. Finish: blue paint.

TECHNICAL SPECIFICATIONS:

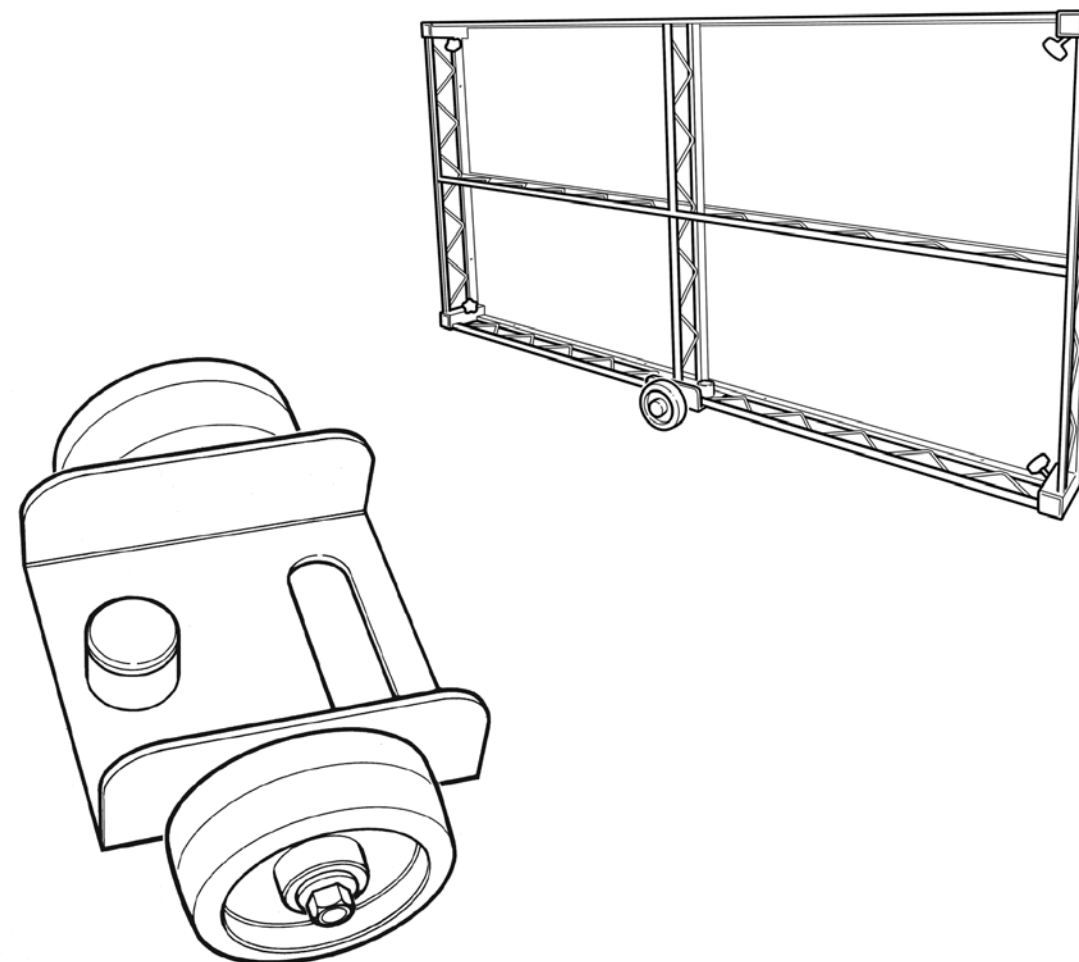
CARRYING WEIGHT	LOAD CAPACITY
10 lbs.	200 lbs.

RELATED ACCESSORIES:

- Decks
- 8" Swivel Caster
- Leg Rack Caster
- Corner Caster
- Pallet Jack

Handling

Monkey Chariot



DESCRIPTION:

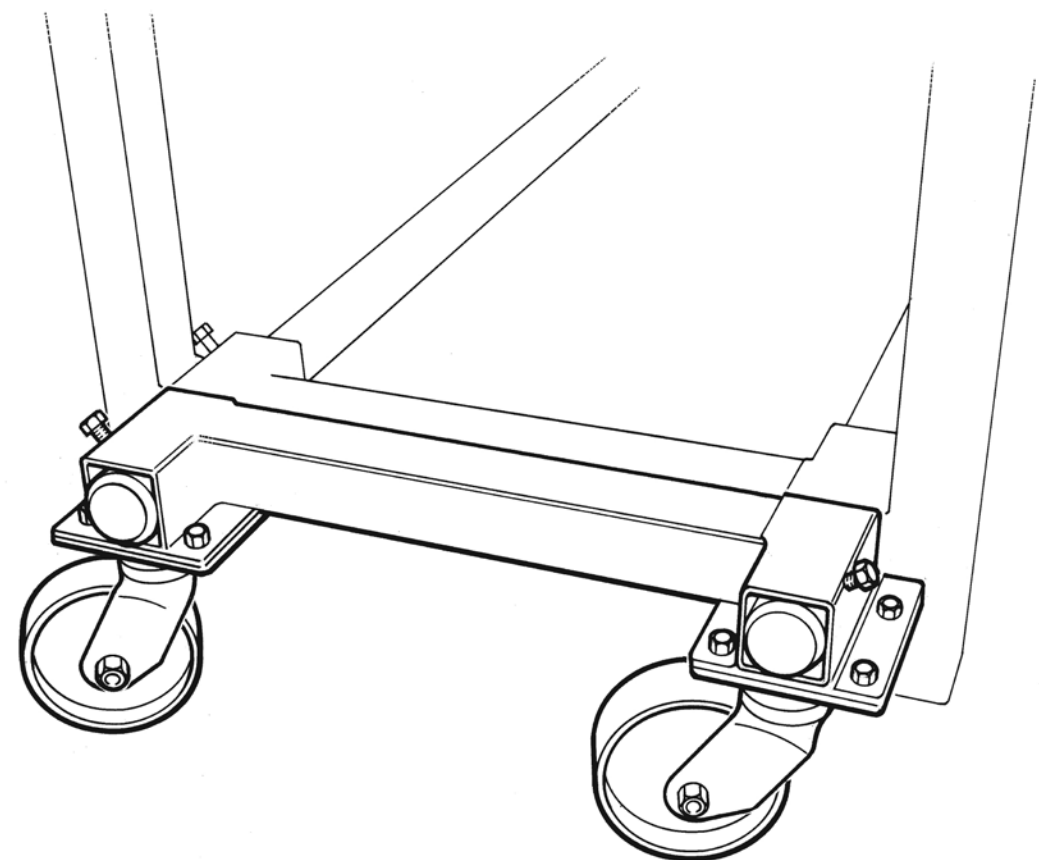
"Monkey Chariot." Low wheeled unit made of steel supplied with carrying handle. Steeldeck® platform engages over pipe on unit to stop deck from shifting in the chariot. Used for moving one deck easily on edge by one person.

TECHNICAL SPECIFICATIONS:

CARRYING WEIGHT	LOAD CAPACITY
13 lbs.	180 lbs.

RELATED ACCESSORIES:

- Decks



DESCRIPTION:

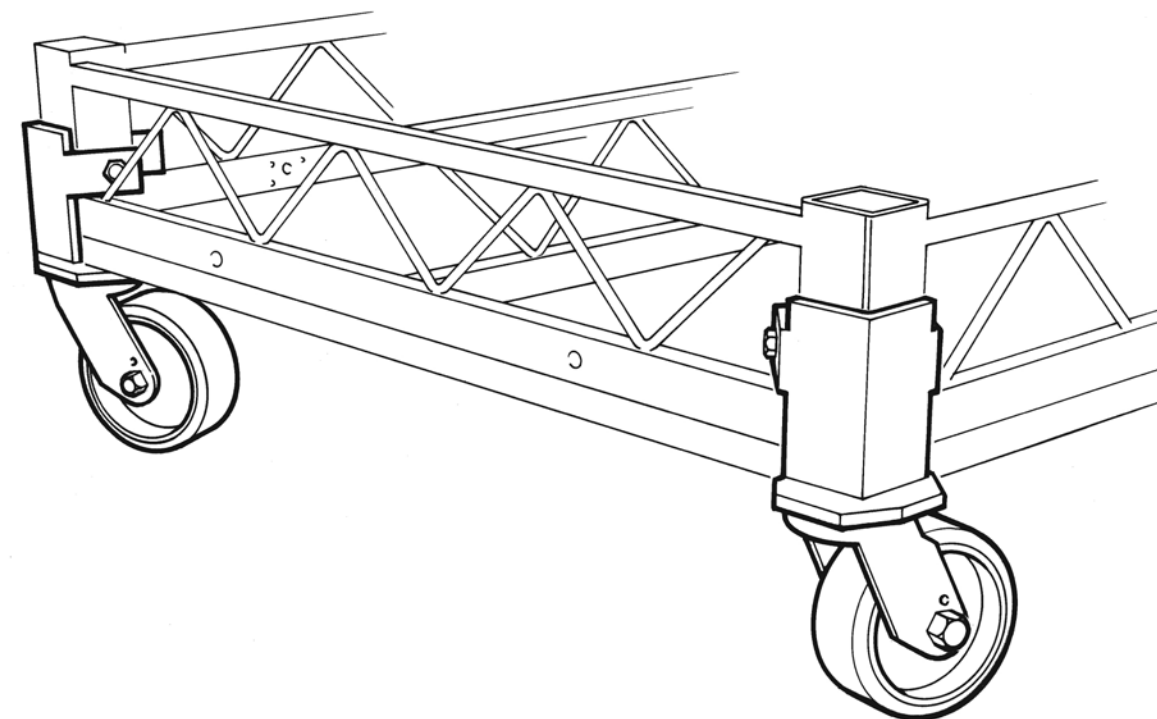
Leg Rack Caster. 2" x 2" steel tube with 2 1/2" pipe sockets mounted on two 5" casters. Two units required for each leg rack. Handy storage of Steeldeck® platform legs and can be moved around the studio for easy setup of Steeldeck® platform stage. Each rack holds 150 legs. Can be fitted to a loaded leg rack, when rack is raised on pallet jack. Finish: zinc plated.

TECHNICAL SPECIFICATIONS:

CARRYING WEIGHT	LOAD CAPACITY
23 lbs.	2000 lbs.

RELATED ACCESSORIES:

- Legs
- Leg Racks



DESCRIPTION:

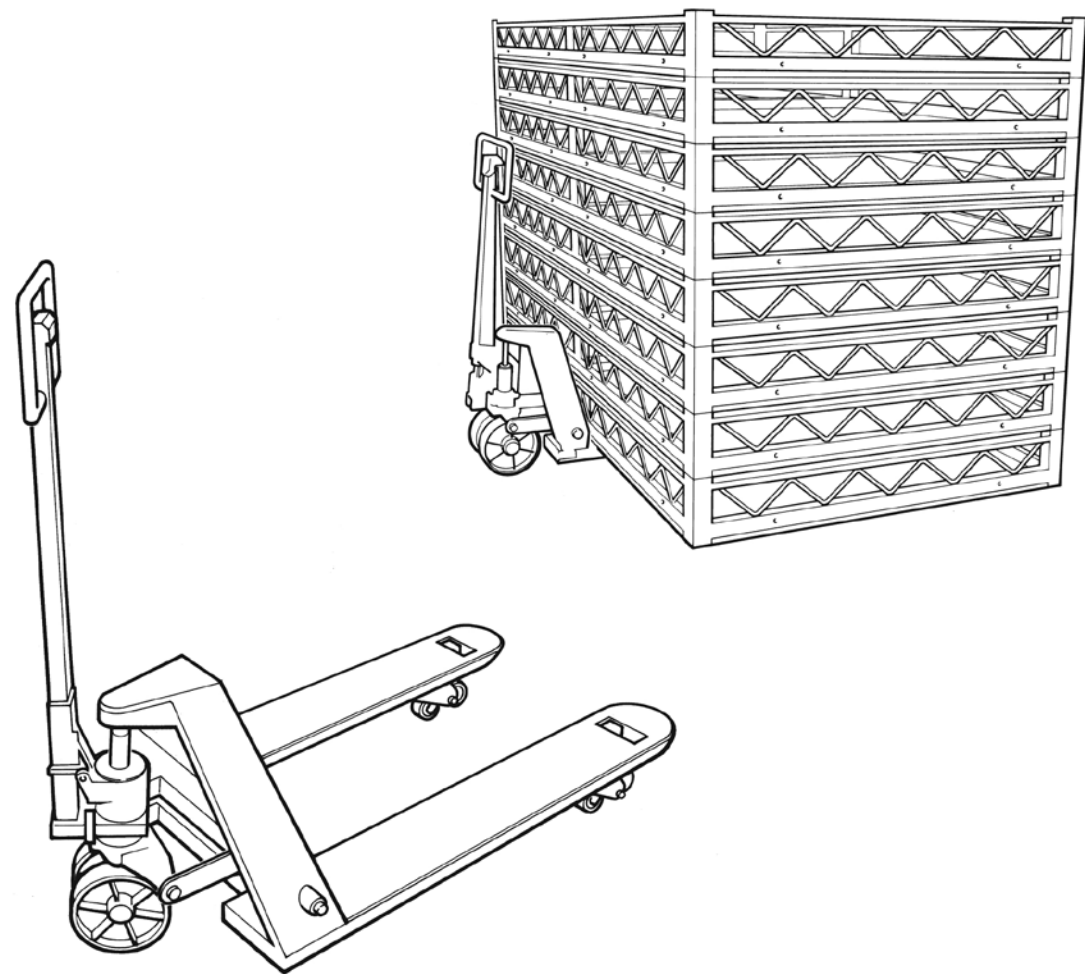
Corner Caster. 4" caster mounted on steel corner plate. Used to place under an up turned Steeldeck® platform (ply top downwards), for moving decks without pallet jack or forklift. Can be placed on a complete stack, after raising the stack with a pallet jack.

TECHNICAL SPECIFICATIONS:

CARRYING WEIGHT	LOAD CAPACITY
8.5 lbs.	1000 lbs.

RELATED ACCESSORIES:

- Decks



DESCRIPTION:

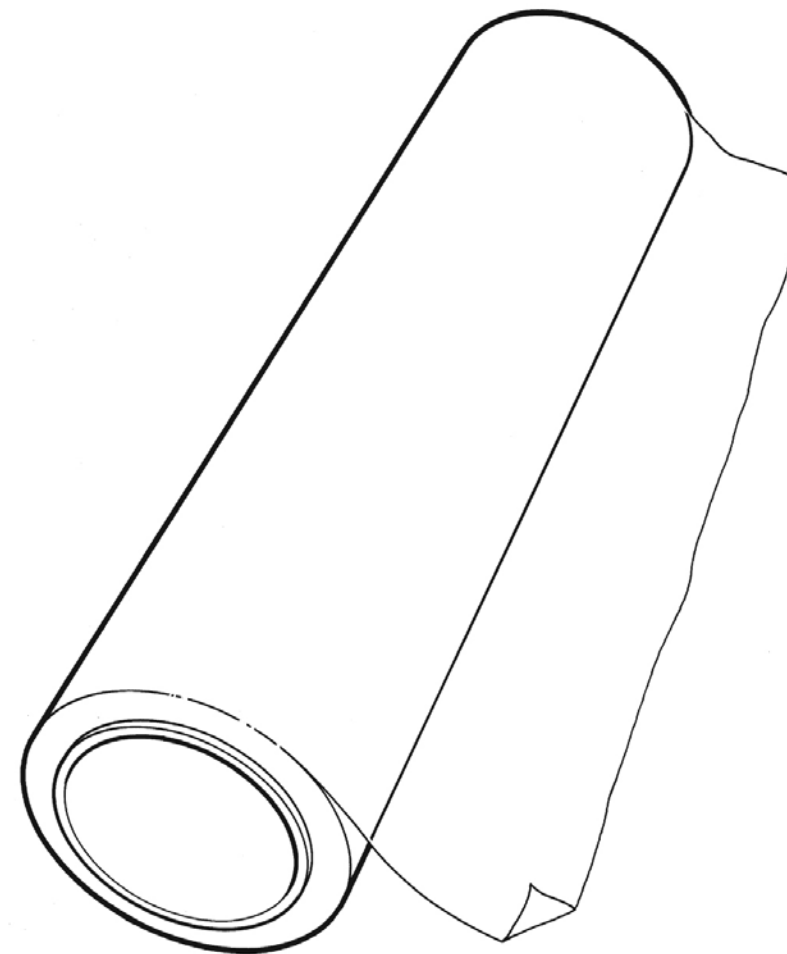
Pallet Jack. Versatile lifting and moving device to safely transport Steeldeck® platforms or legs. Rugged construction with polyurethane wheels and pallet entry slides. The pallet jack has an extra heavy duty steel frame, and tandem load rollers.

TECHNICAL SPECIFICATIONS:

CARRYING WEIGHT	LOAD CAPACITY
160 lbs.	5500 lbs.

RELATED ACCESSORIES:

- Decks
- Legs

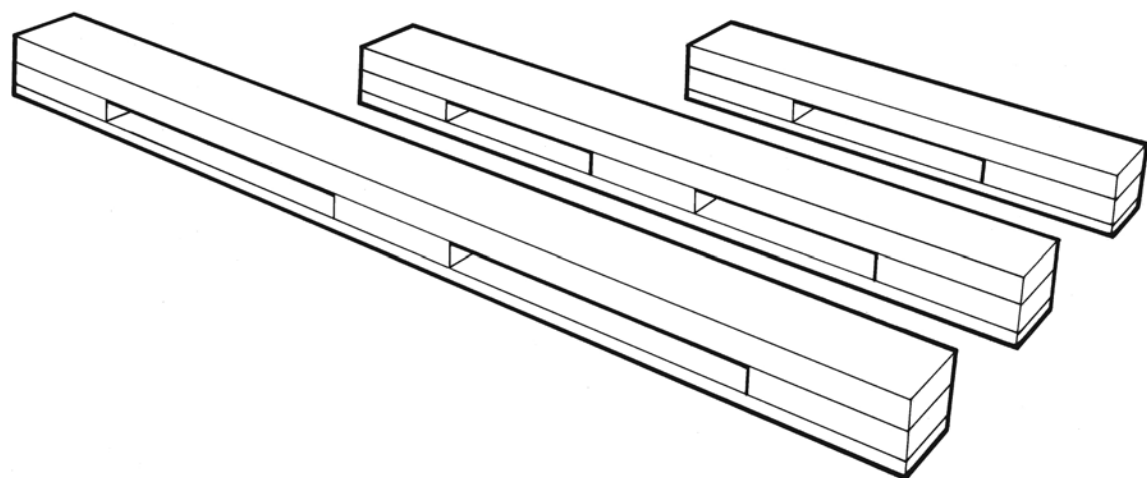


DESCRIPTION:

Shrink-Wrap. Clear plastic film on rolls supplied 4" or 18" wide. Used for protecting products as well as packaging items together. Heavy Duty 80 gauge. Length 1500' per roll.

TECHNICAL SPECIFICATIONS:

CARRYING WEIGHT	LOAD CAPACITY
18" Full Roll=40 lbs.	N/A



DESCRIPTION:

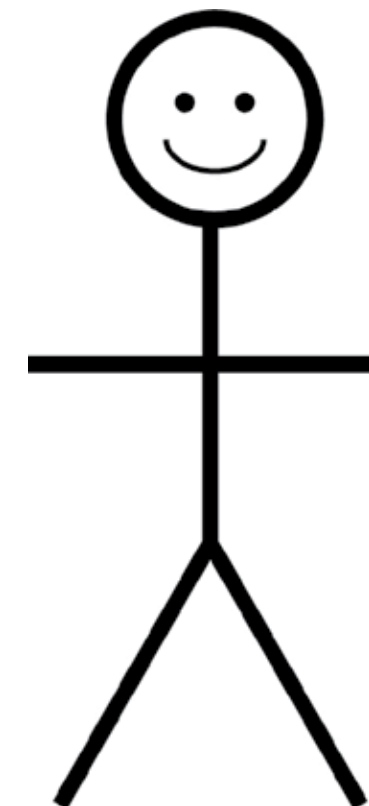
Stacking Blocks. Wooden blocks in sizes 2', 3' and 4' for placing under deck stacks to provide clearance for pallet jack or fork lift. Allows a stack of 10 decks to be placed on top or another stackd.

TECHNICAL SPECIFICATIONS:

	CARRYING WEIGHT	LOAD CAPACITY
2'	4 lbs.	1600 lbs.
3'	5 lbs.	1600 lbs.
4'	6 lbs.	1600 lbs.

RELATED ACCESSORIES:

- Decks



DESCRIPTION:

Human Being. Essential for setting up Steeldeck® platforms.

TECHNICAL SPECIFICATIONS:

Two of these can set up a 20' x 40' stage in one hour. Dangerous if unfed more than four hours.

CARRYING WEIGHT	LOAD CAPACITY
150-350 lbs.* (self-propelled)	150 lb. carrying 2500 lb. load on casters

RELATED ACCESSORIES:

- Wrenches
- Fast Cars
- Beer

*Depends on individual unit