

# Compliance Guide

## 2012 IFC/IBC 1024 LUMINOUS EGRESS PATH MARKINGS

Applicable Occupancy Groups:
• A - Assembly
• B - Business
• E - Educational
• R-1 - Transient Residential
• I - Institutional
• M - Mercantile

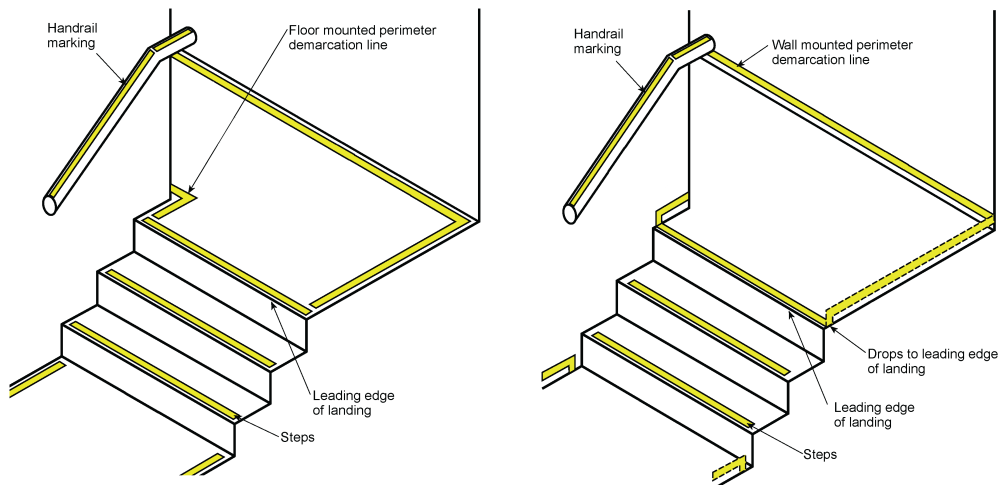
### 1024.1 General

Approved luminous egress path markings delineating the exit path shall be provided in high-rise buildings of Group A, B, E, I, M, and R-1 occupancies in accordance with Sections 1024.1 through [1024.5](#).

**Exception:** Luminous egress path markings shall not be required on the *level of exit discharge* lobbies that serve as part of the exit path in accordance with Section 1027.1, Exception 1.

### 1024.2 Markings within exit components

Egress path markings shall be provided in *interior exit stairways, interior exit ramps* and *exit passageways*, in accordance with Sections 1024.2.1 through 1024.2.6.



### 1024.2.1 Steps

1024.2.1 Steps
1024.2.2 Landings
<ul style="list-style-type: none"><li>• <b>E Series</b> Photoluminescent contrast strips</li><li>• <b>F / RF Series</b> Flat aluminum stair nosings with photoluminescent contrast strips</li><li>• <b>S Series</b> Cast-in-place aluminum stair nosings with photoluminescent contrast strips</li><li>• <b>G3001 / G6001</b> Photoluminescent guidance strip</li></ul>

A solid and continuous stripe shall be applied to the horizontal leading edge of each step and shall extend for the full length of the step. Outlining stripes shall have a minimum horizontal width of 1 inch (25 mm) and a maximum width of 2 inches (51 mm). The leading edge of the stripe shall be placed at a maximum of  $\frac{1}{2}$  inch (13 mm) from the leading edge of the step and the stripe shall not overlap the leading edge of the step by not more than  $\frac{1}{2}$  inch (13 mm) down the vertical face of the step.

**Exception:** The minimum width of 1 inch (25 mm) shall not apply to outlining stripes listed in accordance with UL 1994.

### 1024.2.2 Landings

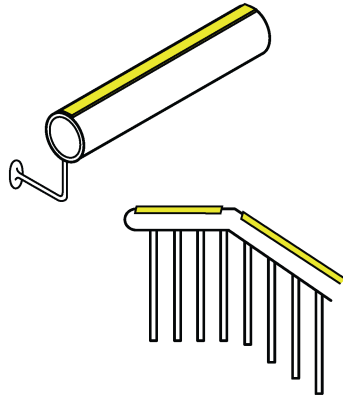
The leading edge of landings shall be marked with a stripe consistent with the dimensional requirements for steps.

1024.2.3 Handrails
<ul style="list-style-type: none"><li>• <b>H Series</b> Handrail strip and end caps</li><li>• <b>G3001 / G6001</b> Photoluminescent guidance strip</li></ul>

### 1024.2.3 Handrails

All *handrails* and handrail extensions shall be marked with a solid and continuous stripe having a minimum width of 1 inch (25 mm). The stripe shall be placed on the top surface of the *handrail* for the entire length of the *handrail*, including extensions and newel post caps. Where *handrails* or handrail extensions bend or turn corners, the stripe shall not have a gap of more than 4 inches (102 mm).

**Exception:** The minimum width of 1 inch (25 mm) shall not apply to outlining stripes listed in accordance with UL 1994.



#### 1024.2.4 Perimeter demarcation lines

##### 1024.2.4 Perimeter demarcation lines

- **T5-G3001 / T8-6001**  
Aluminum track and photoluminescent guidance strip
- **G3001 / G6001**  
Photoluminescent guidance strip

Stair landings and other floor areas within *interior exit stairways*, *interior exit ramps* and *exit passageways*, with the exception of the sides of steps, shall be provided with solid and continuous demarcation lines on the floor or on the walls or a combination of both. The stripes shall be 1 to 2 inches (25 mm to 51 mm) wide with interruptions not exceeding 4 inches (102 mm).

**Exception:** The minimum width of 1 inch (25 mm) shall not apply to outlining stripes listed in accordance with UL 1994.

##### 1024.2.4.1 Floor mounted demarcation lines

Perimeter demarcation lines shall be placed within 4 inches (102 mm) of the wall and shall extend to within 2 inches (51 mm) of the markings on the leading edge of landings. The demarcation lines shall continue across the floor in front of all doors.

**Exception:** Demarcation lines shall not extend in front of *exit discharge* doors that lead out of an *exit* and through which occupants must travel to complete the exit path.

#### **1024.2.4.2 Wall mounted demarcation lines**

Perimeter demarcation lines shall be placed on the wall with the bottom edge of the stripe no more than 4 inches (102 mm) above the finished floor. At the top or bottom of the *stairs*, demarcation lines shall drop vertically to the floor within 2 inches (51 mm) of the step or landing edge. Demarcation lines on walls shall transition vertically to the floor and then extend across the floor where a line on the floor is the only practical method of outlining the path. Where the wall line is broken by a door, demarcation lines on walls shall continue across the face of the door or transition to the floor and extend across the floor in front of such door.

**Exception:** Demarcation lines shall not extend in front of *exit discharge* doors that lead out of an *exit* and through which occupants must travel to complete the exit path.

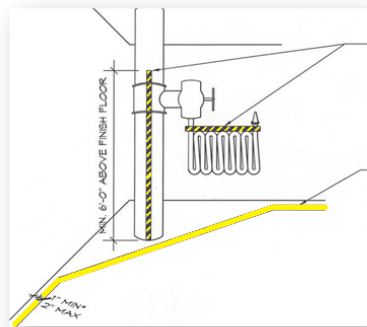
#### 1024.2.4.3 Transition

Where a wall mounted demarcation line transitions to a floor mounted demarcation line, or vice-versa, the wall mounted demarcation line shall drop vertically to the floor to meet a complimentary extension of the floor mounted demarcation line, thus forming a continuous marking

#### **1024.2.5 Obstacles**

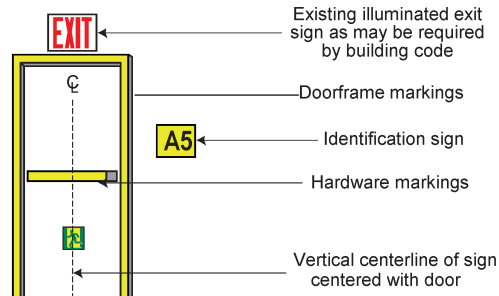
1024.2.5 Obstacles
<ul style="list-style-type: none"><li>• <b>OB20025</b> Photoluminescent obstruction strip</li><li>• <b>OB20025-TP</b> Photoluminescent obstruction tape</li></ul>

Obstacles at or below 6 feet 6 inches (1981 mm) in height and projecting more than 4 inches (102 mm) into the egress path shall be outlined with markings no less than 1 inch (25 mm) in width comprised of a pattern of alternating equal bands, of luminescent luminous material and black, with the alternating bands no more than 2 inches (51 mm) thick and angled at 45 degrees. Obstacles shall include, but are not limited to, standpipes, hose cabinets, wall projections, and restricted height areas. However, such markings shall not conceal any required information or indicators including but not limited to instructions to occupants for the use of standpipes.



### 1024.2.6 Doors within the exit path

Doors through which occupants must pass in order to complete the exit path shall be provided with markings complying with Sections 1024.2.6.1 through 1024.2.6.3.



### 1024.2.6.1 Emergency exit symbol

#### 1024.2.6.1 Emergency exit symbol

- **R Series**  
Running man photoluminescent directional and door exit signs



The doors shall be identified by a low-location luminous emergency exit symbol complying with NFPA 170. The exit symbol shall be a minimum of 4 inches (102 mm) in height and shall be mounted on the door, centered horizontally, with the top of the symbol no higher than 18 inches (457 mm) above the finished floor.

### 1024.2.6.2 Door hardware markings

#### 1024.2.6.2 Door hardware markings

- **DHM Series**  
Door hardware indicators

Door hardware shall be marked with no less than 16 square inches (406 mm<sup>2</sup>) of luminous material. This marking shall be located behind, immediately adjacent to, or on the door handle or escutcheon. Where a panic bar is installed, such material shall be no less than 1 inch (25 mm) wide for the entire length of the actuating bar or touchpad.

### 1024.2.6.3 Door frame markings

#### 1024.2.6.3 Door frame markings

- **G6001**  
Photoluminescent guidance strip

The top and sides of the door frame shall be marked with a solid and continuous 1-inch- to 2-inch-wide (25 mm to 51 mm) stripe. Where the door molding does not provide sufficient flat surface on which to locate the stripe, the stripe shall be permitted to be located on the wall surrounding the frame.

### 1024.3 Uniformity

Placement and dimensions of markings shall be consistent and uniform throughout the same enclosure.

### 1024.4 Self-luminous and photoluminescent

Luminous egress path markings shall be permitted to be made of any material, including paint, provided that an electrical charge is not required to maintain the required luminance. Such materials shall include, but not be limited to, *self-luminous* materials and *photoluminescent* materials. Materials shall comply with either:

1. UL 1994; or

1024.4 Self-luminous and photoluminescent
---

All components UL 1994 listed and/or ASTM E 2072 compliant
--

2. ASTM E 2072, except that the charging source shall be 1 footcandle (11 lux) of fluorescent illumination for 60 minutes, and the minimum luminance shall be 30 milicandelas per square meter at 10 minutes and 5 milicandelas per square meter after 90 minutes.



### 1024.5 Illumination

Where *photoluminescent* exit path markings are installed, they shall be provided with the minimum *means of egress* illumination required by Section 1006 for at least 60 minutes prior to periods when the building is occupied.

## 2012 IFC/IBC 1022.9 STAIRWAY IDENTIFICATION SIGNS

### 1022.9 Stairway identification signs

1022.9.1 Signage requirements
-------------------------------

- |   |
|---|
| <ul style="list-style-type: none"><li>• <b>FID Signs</b><br/>Floor identification signs</li></ul> |
|---|

A sign shall be provided at each floor landing in an *interior exit stairway* and *ramp* connecting more than three stories designating the floor level, the terminus of the top and bottom of the *interior exit stairway* and *ramp* and the identification of the stair or *ramp*. The signage shall also state the story of, and the direction to, the *exit discharge* and the availability of roof access from the *interior exit stairway* and *ramp* for the fire department. The sign shall be located 5 feet (1524 mm) above the floor landing in a position that is readily visible when the doors are in the open and closed positions. In addition to the *stairway* identification sign, a floor-level sign in raised characters and Braille complying with ICC A117.1 shall be located at each floor-level landing adjacent to the door leading from the *interior exit stairway* and *ramp* into the *corridor* to identify the floor level.



#### 1022.9.1 Signage requirements

Stairway identification signs shall comply with all of the following requirements:

1. The signs shall be a minimum size of 18 inches (457 mm) by 12 inches (305 mm).
2. The letters designating the identification of the *interior exit stairway* and *ramp* shall be a minimum of 1½ inches (38 mm) in height.
3. The number designating the floor level shall be a minimum of 5 inches (127 mm) in height and located in the center of the sign.
4. All other lettering and numbers shall be a minimum of 1 inch (25 mm) in height.
5. Characters and their background shall have a nonglare finish. Characters shall contrast with their background, with either light characters on a dark background or dark characters on a light background.
6. When signs required by Section 1022.9 are installed in the *interior exit stairways* and *ramps* of buildings subject to Section 1024, the signs shall be made of the same materials as required by Section 1024.4.

## 2012 IFC/IBC COMPLIANCE QUICK REFERENCE

Applicable Occupancy Groups:
------------------------------

- **A** - Assembly
- **B** - Business
- **E** - Educational
- **R-1** - Transient Residential
- **I** - Institutional
- **M** - Mercantile

### ***1024.2.1 Steps - 1024.2.2 Landings***

- **E Series**

Photoluminescent contrast strips

- **F / RF Series**

Flat aluminum stair nosings with photoluminescent contrast strips

- **S Series**

Cast-in-place aluminum stair nosings with photoluminescent contrast strips

- **G3001 / G6001**

Photoluminescent guidance strip

### ***1024.2.3 Handrails***

- **H Series**

Handrail strip and end caps

- **G3001 / G6001**

Photoluminescent guidance strip

### ***1024.2.4 Perimeter demarcation lines***

- **T5-G3001 / T8-6001**

Aluminum track and photoluminescent guidance strip

- **G3001 / G6001**

Photoluminescent guidance strip

### ***1024.2.5 Obstacles***

- **OB20025**

Photoluminescent obstruction strip

- **OB20025-TP**

Photoluminescent obstruction tape

### ***1024.2.6.1 Emergency exit symbol***

- **R Series**

Running man photoluminescent directional and door exit signs



### ***1024.2.6.2 Door hardware markings***

- **DHM Series**

Door hardware indicators

### ***1024.2.6.3 Door frame markings***

- **G3001/G6001**

Photoluminescent guidance strip

### ***1024.4 Self-luminous and photoluminescent***

All components UL 1994 listed and/or ASTM E 2072 compliant

### ***1022.9 Stairway identification signs***

- **FID**

Floor identification signs