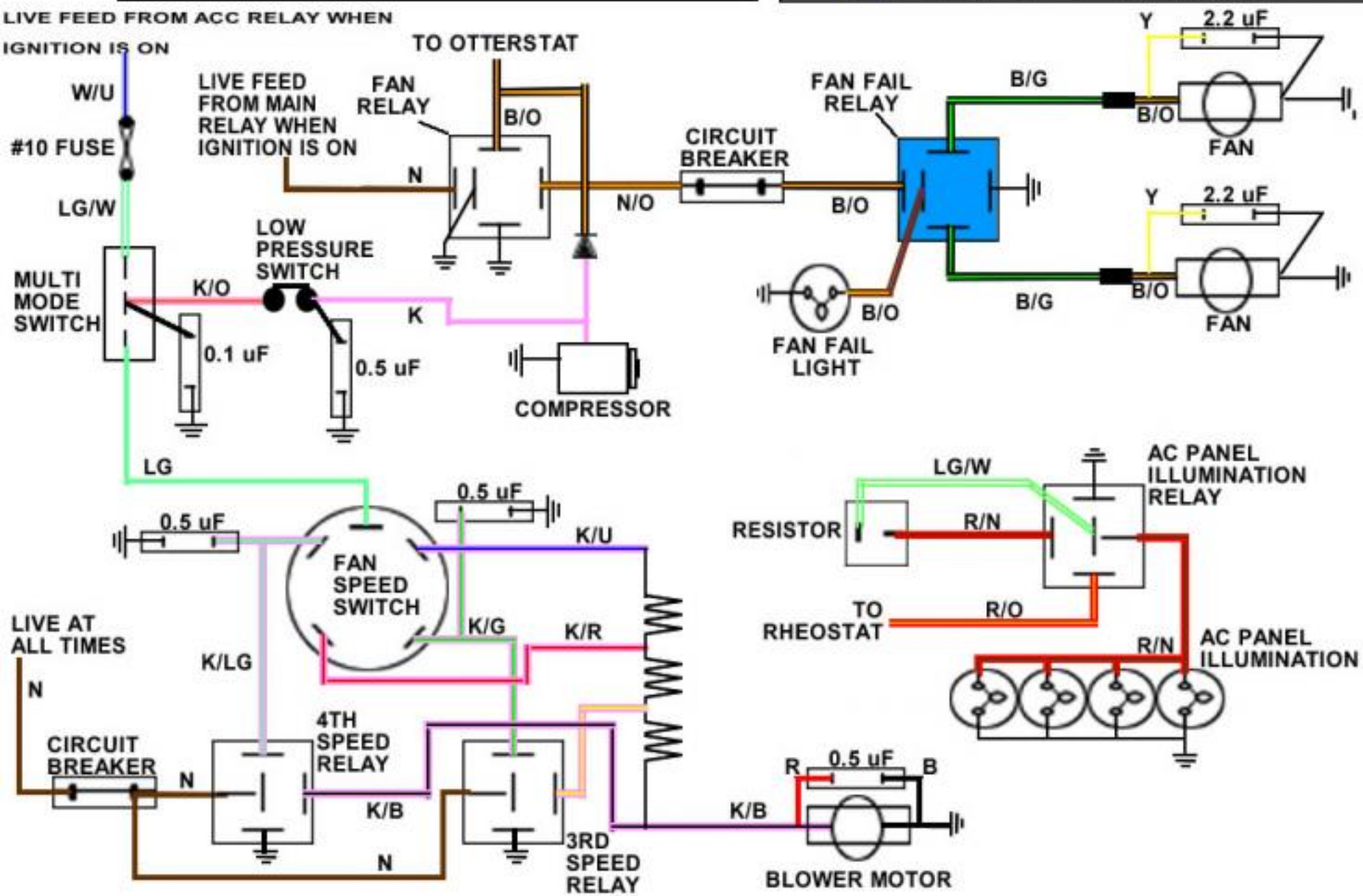
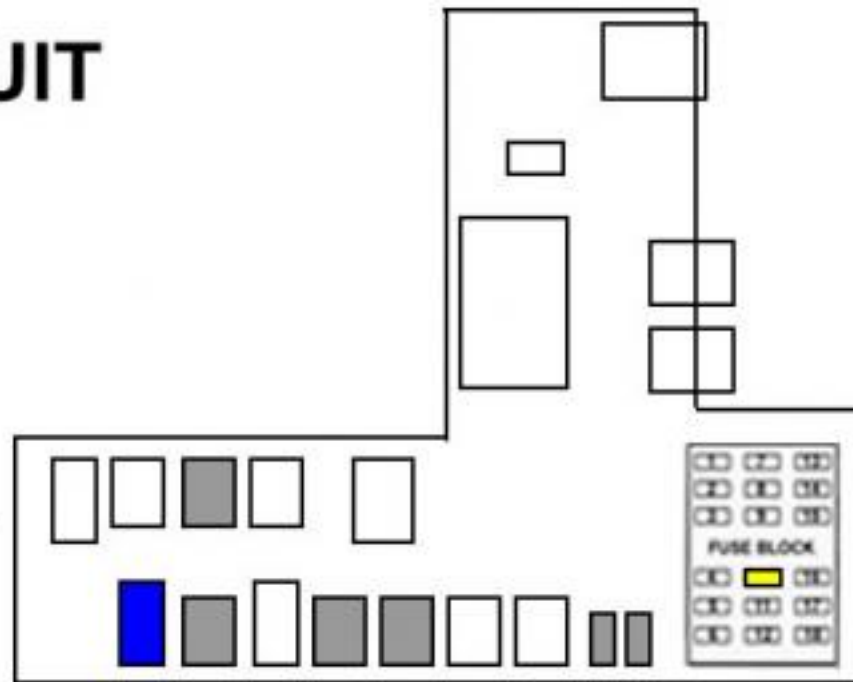


AIR CONDITIONING CIRCUIT

THE HIGHLIGHTED ITEMS IN THE RELAY COMPARTMENT DIAGRAM TO THE RIGHT ARE THE ITEMS OUTLINED IN THIS DIAGRAM.

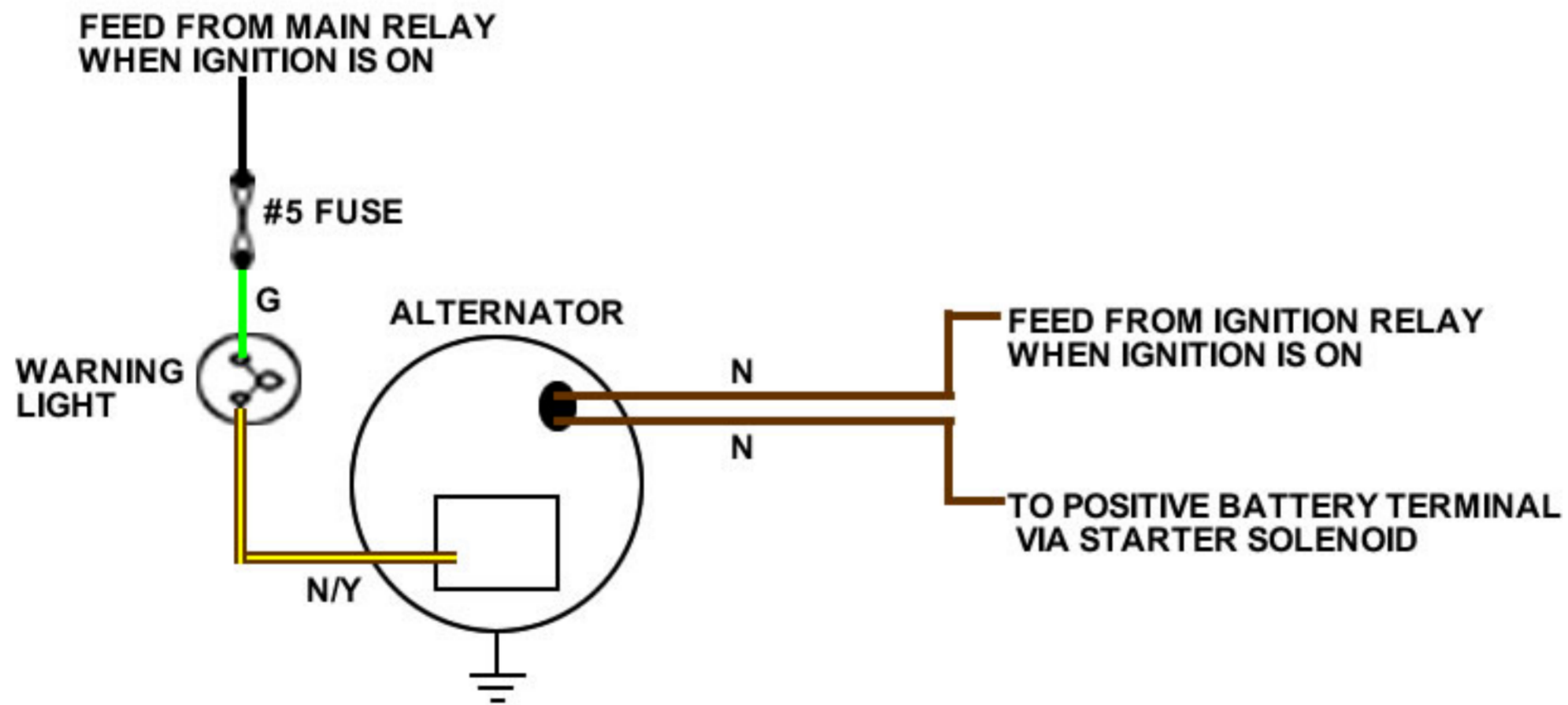
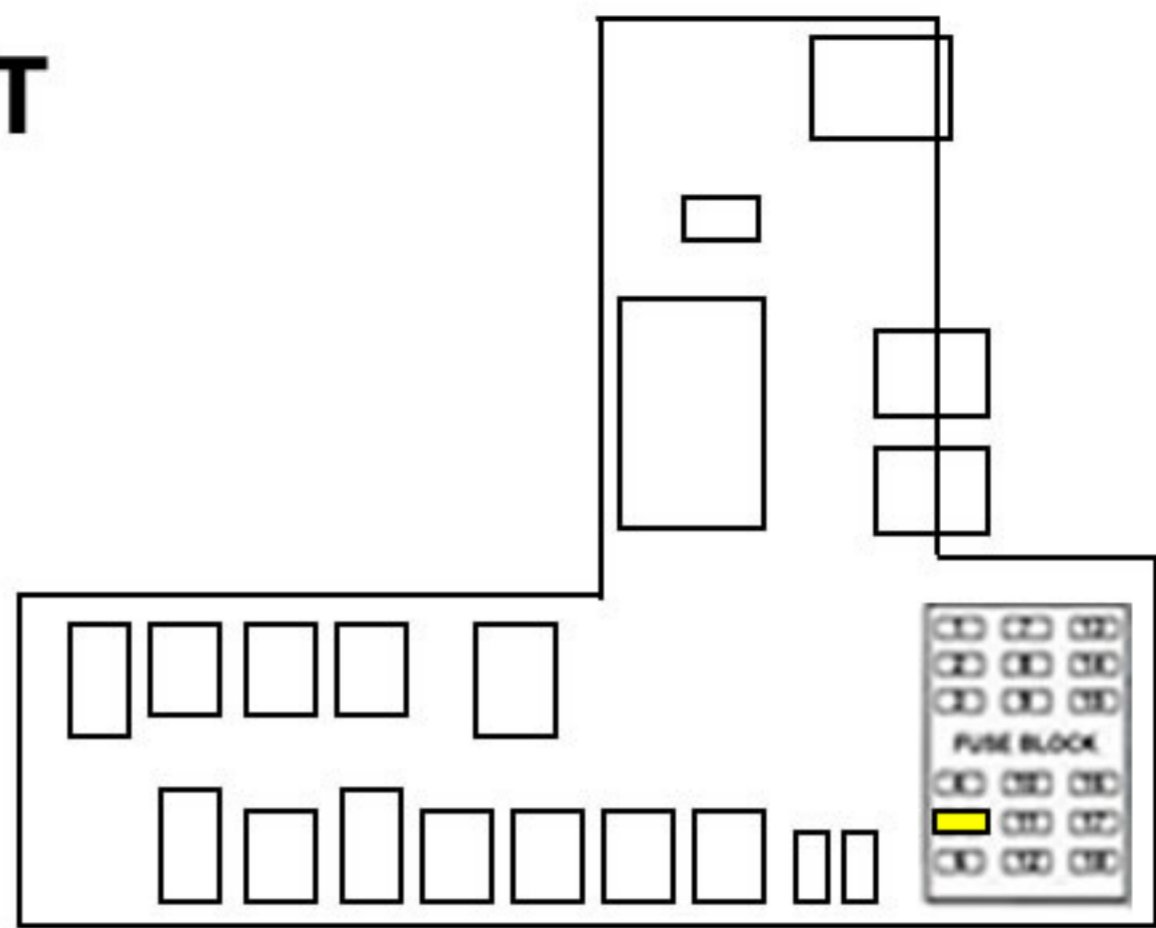
B - BLACK	P - PURPLE	U - BLUE	N - BROWN
G - GREEN	R - RED	W - WHITE	O - ORANGE
K - PINK	S - SLATE	Y - YELLOW	LG - LIGHT GREEN



ALTERNATOR CIRCUIT

THE HIGHLIGHTED ITEMS IN THE RELAY COMPARTMENT DIAGRAM TO THE RIGHT ARE THE ITEMS OUTLINED IN THIS DIAGRAM.

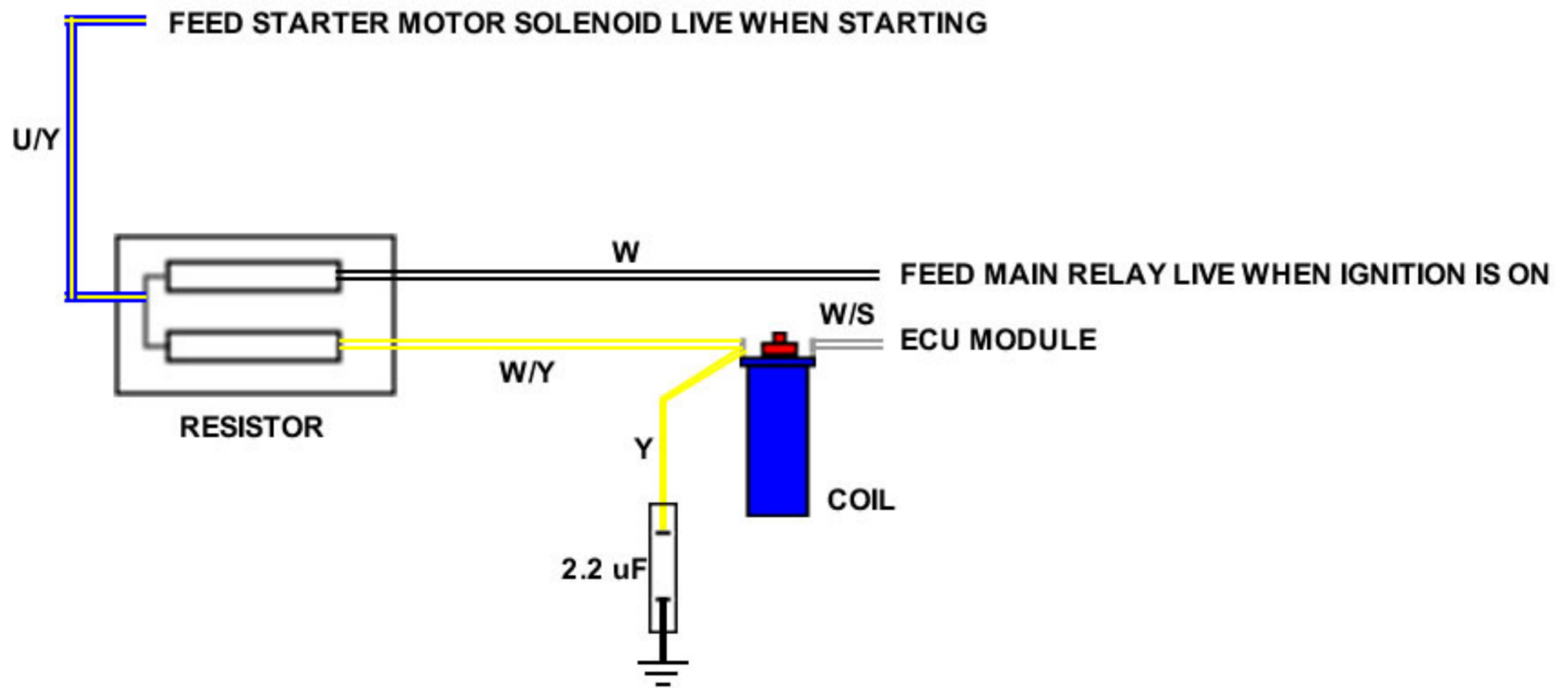
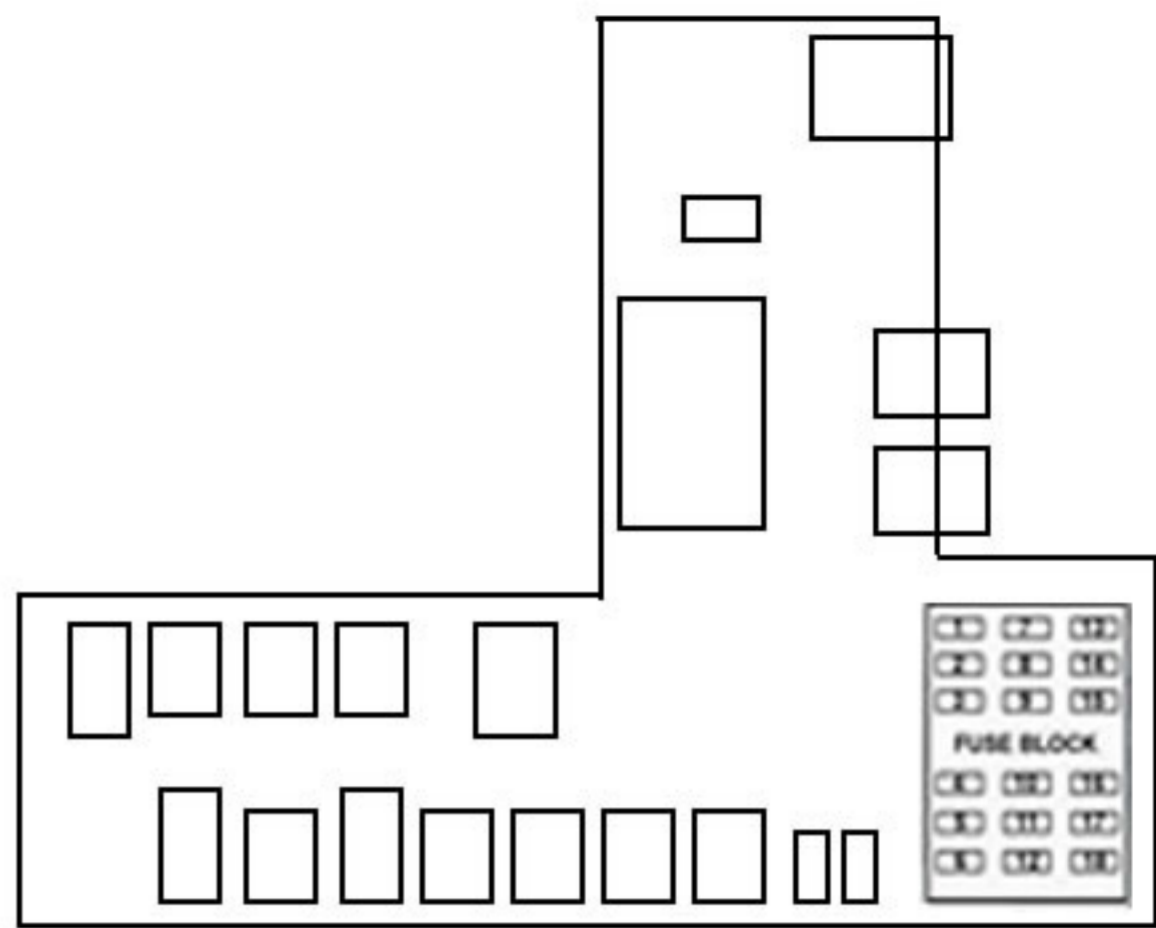
B - BLACK	P - PURPLE	U - BLUE	N - BROWN
G - GREEN	R - RED	W - WHITE	O - ORANGE
K - PINK	S - SLATE	Y - YELLOW	LG - LIGHT GREEN



COIL CIRCUIT

THE HIGHLIGHTED ITEMS IN THE RELAY COMPARTMENT DIAGRAM TO THE RIGHT ARE THE ITEMS OUTLINED IN THIS DIAGRAM.

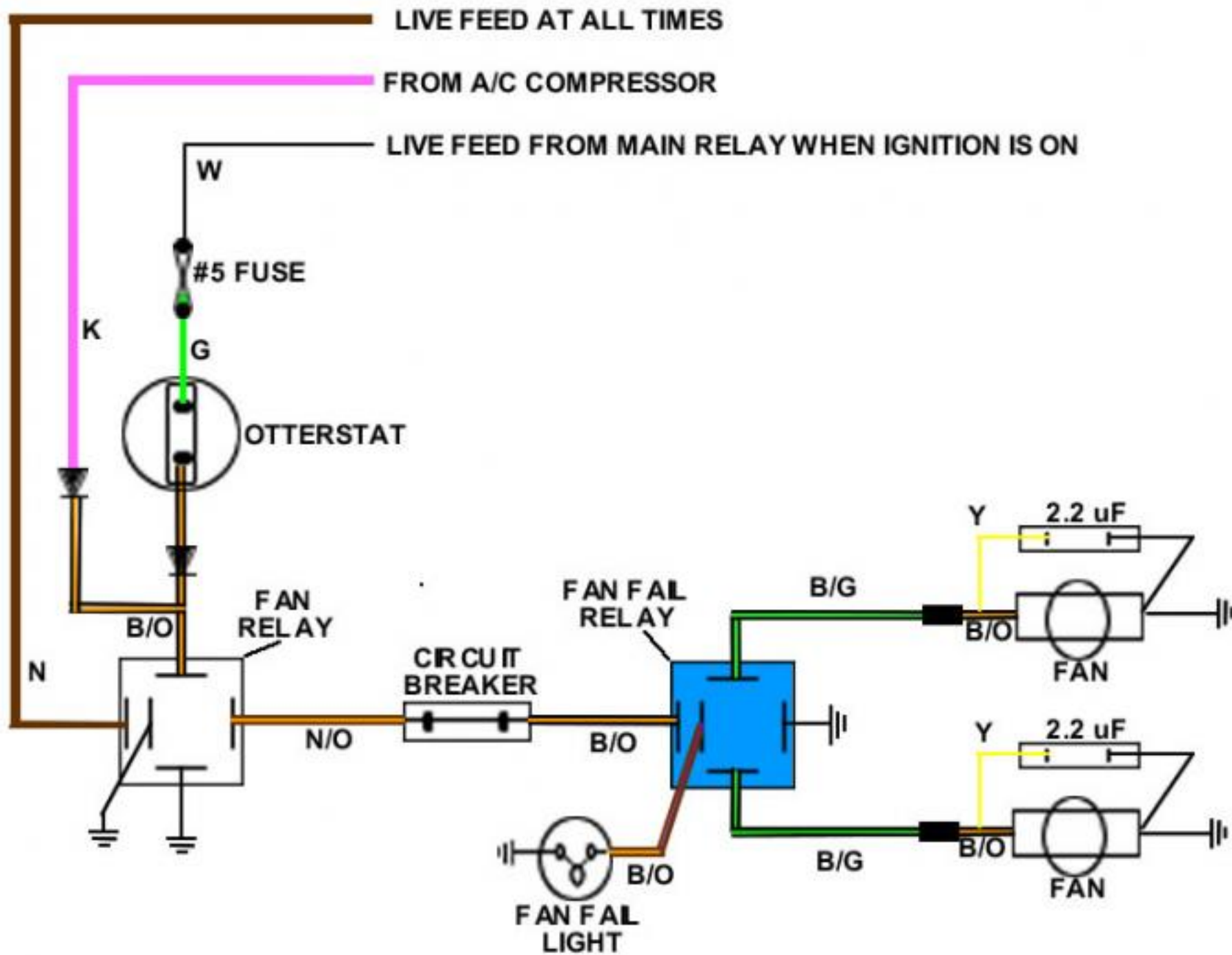
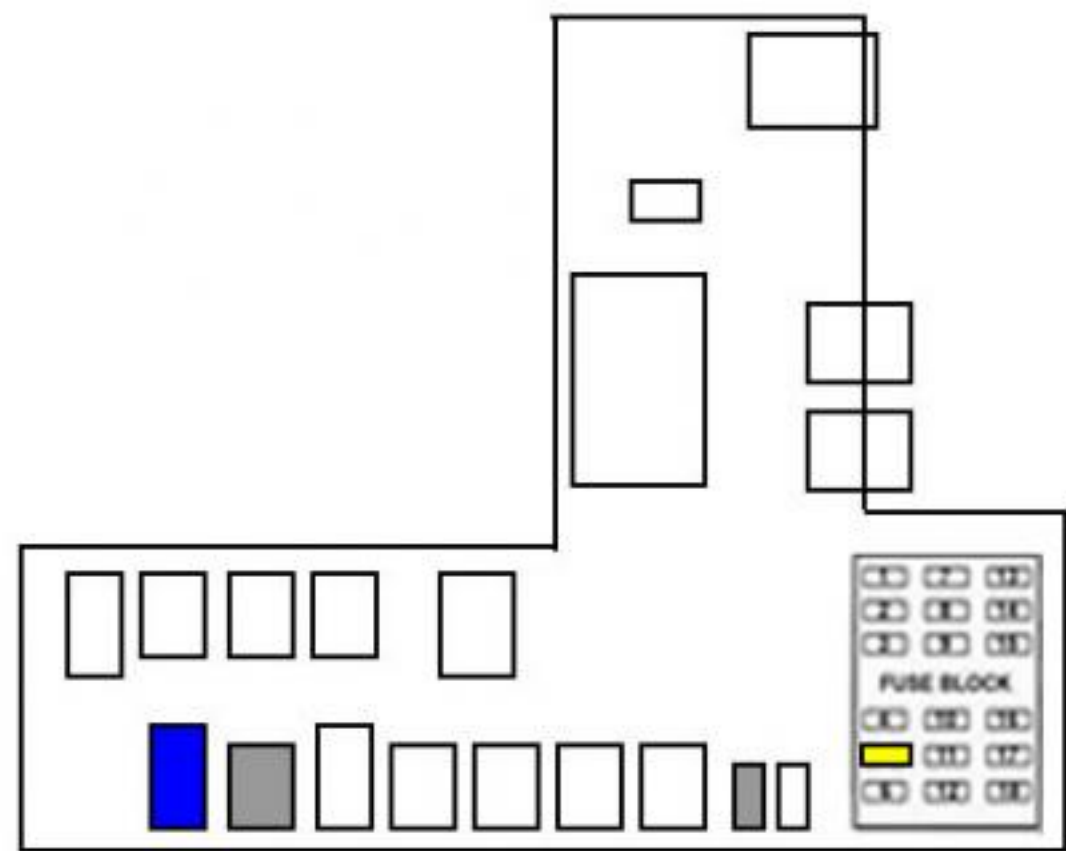
B - BLACK	P - PURPLE	U - BLUE	N - BROWN
G - GREEN	R - RED	W - WHITE	O - ORANGE
K - PINK	S - SLATE	Y - YELLOW	LG - LIGHT GREEN



COOLING FAN CIRCUIT

THE HIGHLIGHTED ITEMS IN THE RELAY COMPARTMENT DIAGRAM TO THE RIGHT ARE THE ITEMS OUTLINED IN THIS DIAGRAM.

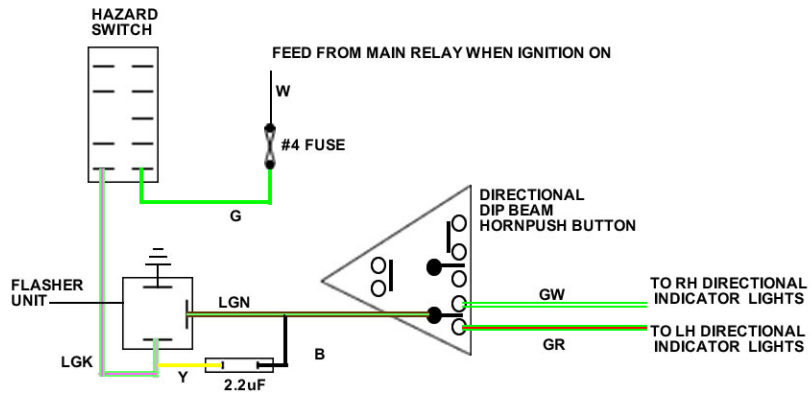
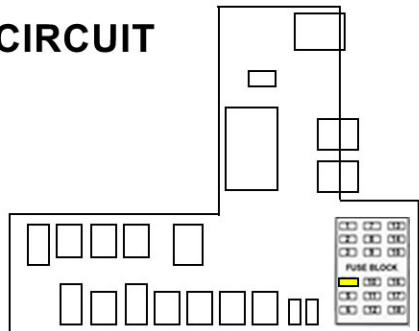
B - BLACK P - PURPLE U - BLUE N - BROWN
 G - GREEN R - RED W - WHITE O - ORANGE
 K - PINK S - SLATE Y - YELLOW LG - LIGHT GREEN



DIRECTIONAL INDICATOR CIRCUIT

THE HIGHLIGHTED ITEMS IN THE RELAY COMPARTMENT DIAGRAM TO THE RIGHT ARE THE ITEMS OUTLINED IN THIS DIAGRAM.

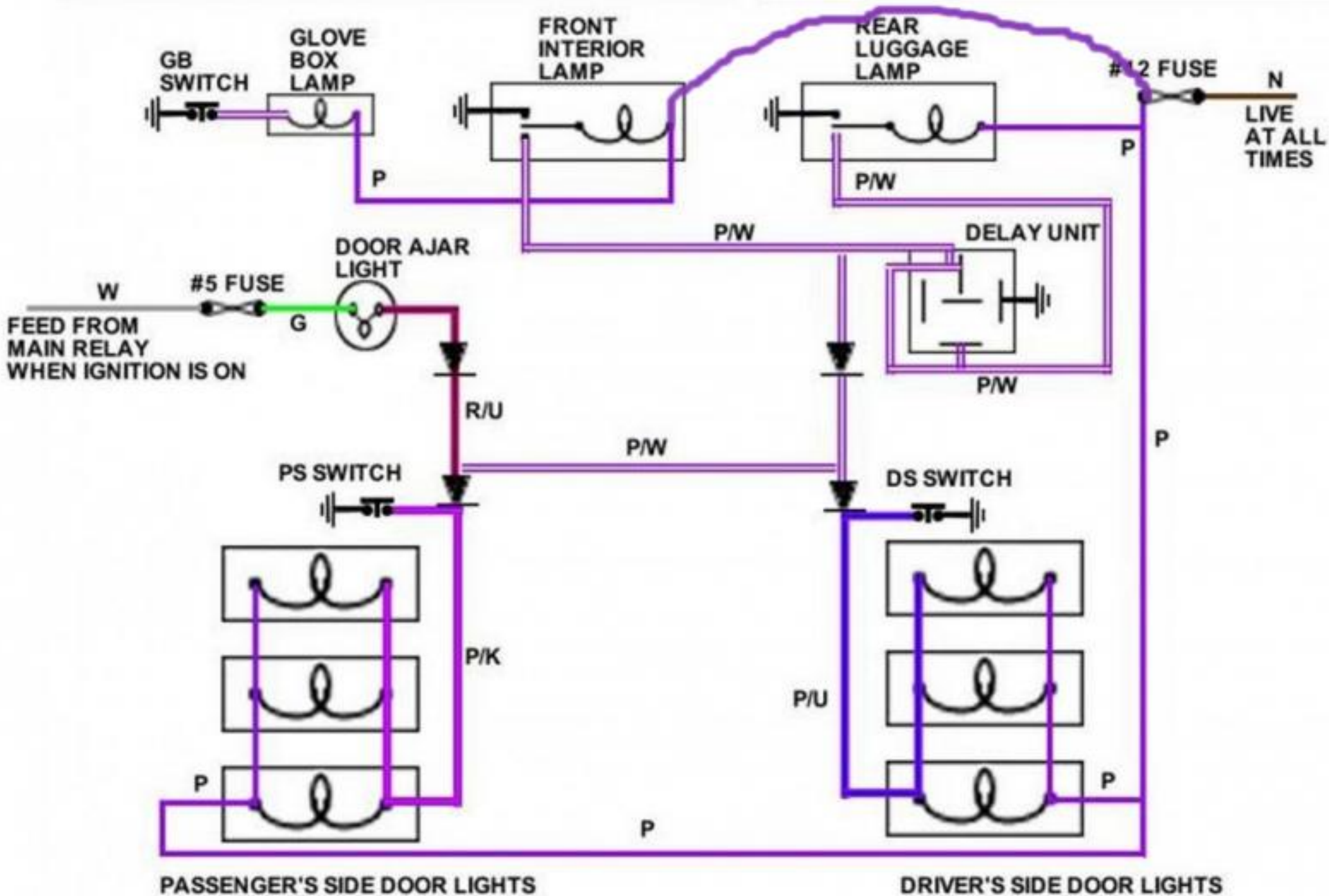
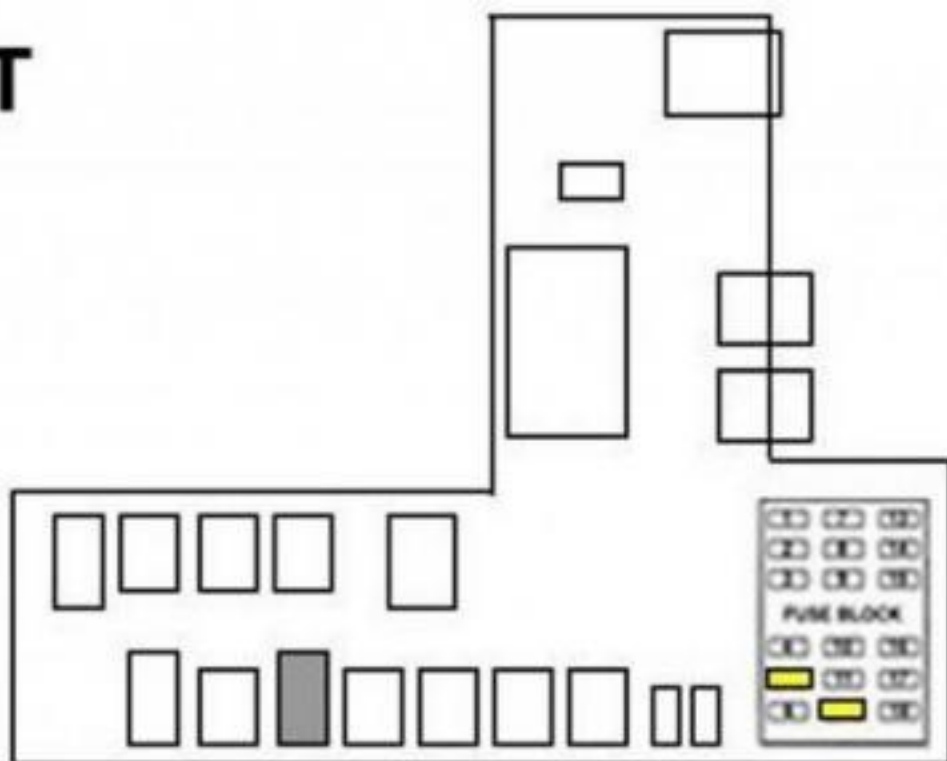
B - BLACK	P - PURPLE	U - BLUE	N - BROWN
G - GREEN	R - RED	W - WHITE	O - ORANGE
K - PINK	S - SLATE	Y - YELLOW	LG - LIGHT GREEN



DOOR & INTERIOR LIGHT WIRING CIRCUIT

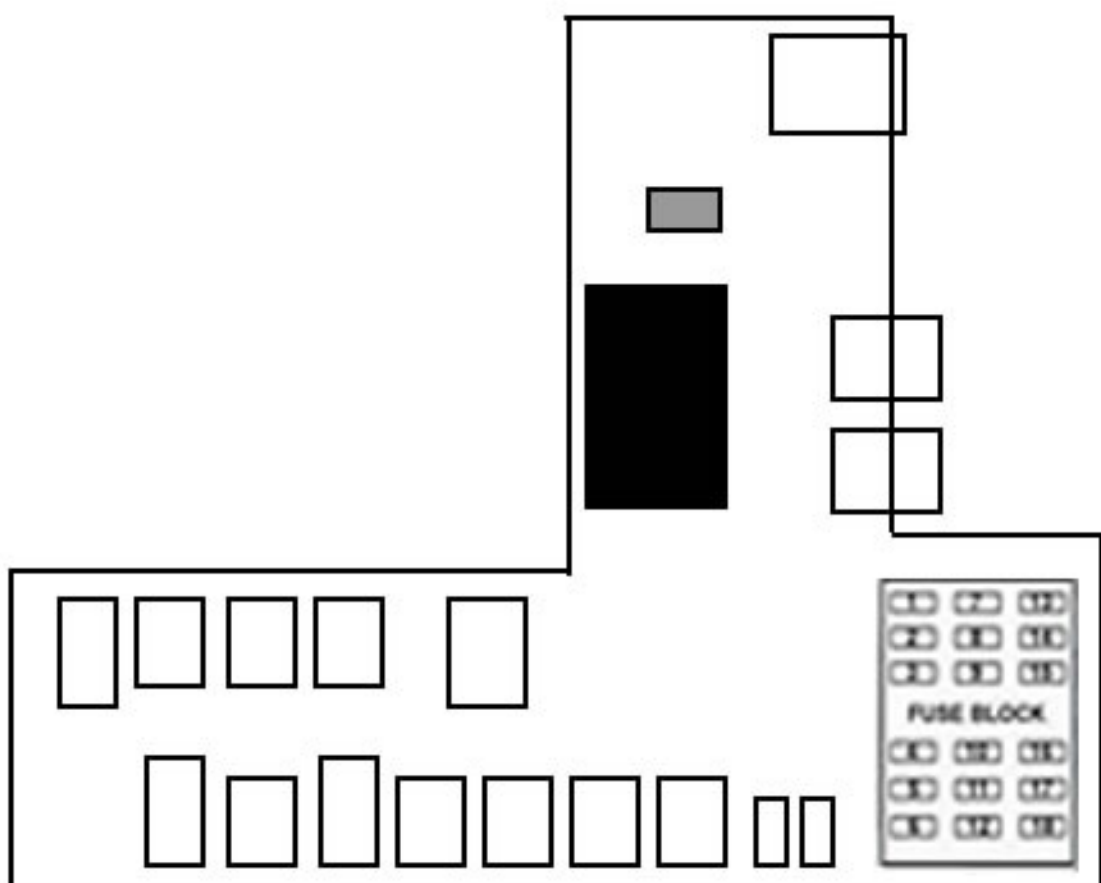
THE HIGHLIGHTED ITEMS IN THE RELAY COMPARTMENT DIAGRAM TO THE RIGHT ARE THE ITEMS OUTLINED IN THIS DIAGRAM.

B - BLACK	P - PURPLE	U - BLUE	N - BROWN
G - GREEN	R - RED	W - WHITE	O - ORANGE
K - PINK	S - SLATE	Y - YELLOW	LG - LIGHT GREEN

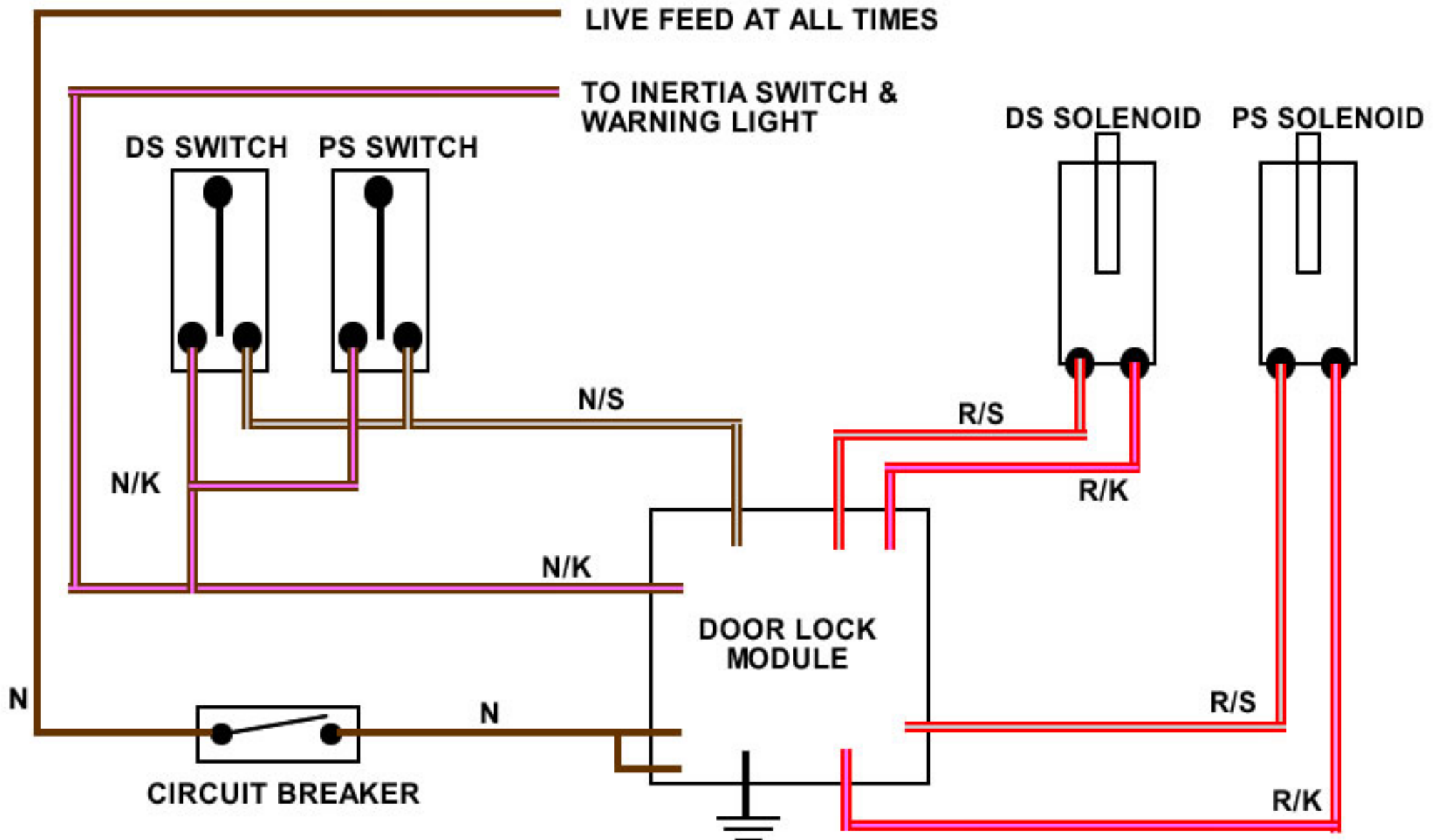


DOOR LOCK CIRCUIT

THE HIGHLIGHTED ITEMS IN THE RELAY COMPARTMENT DIAGRAM TO THE RIGHT ARE THE ITEMS OUTLINED IN THIS DIAGRAM.



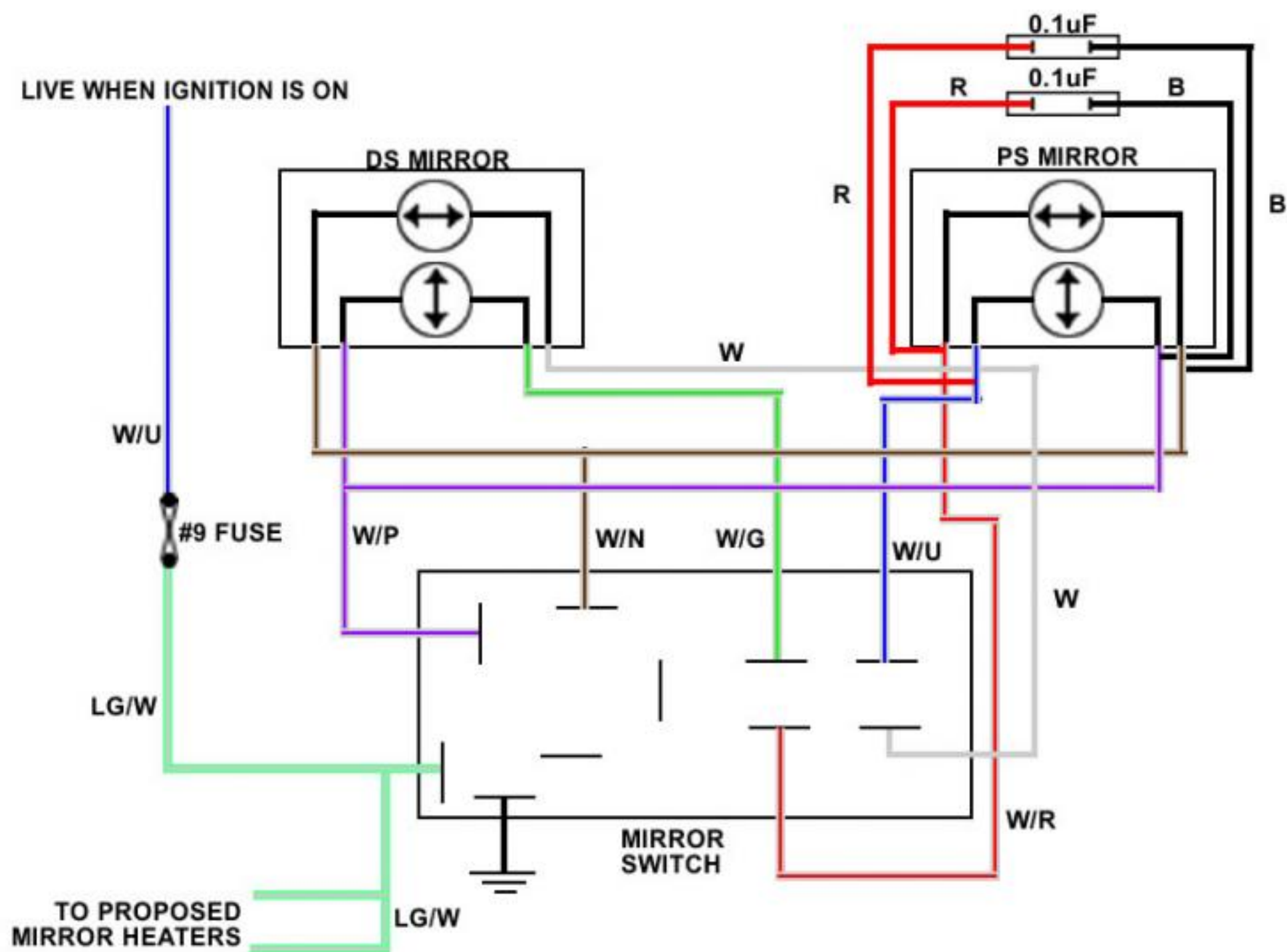
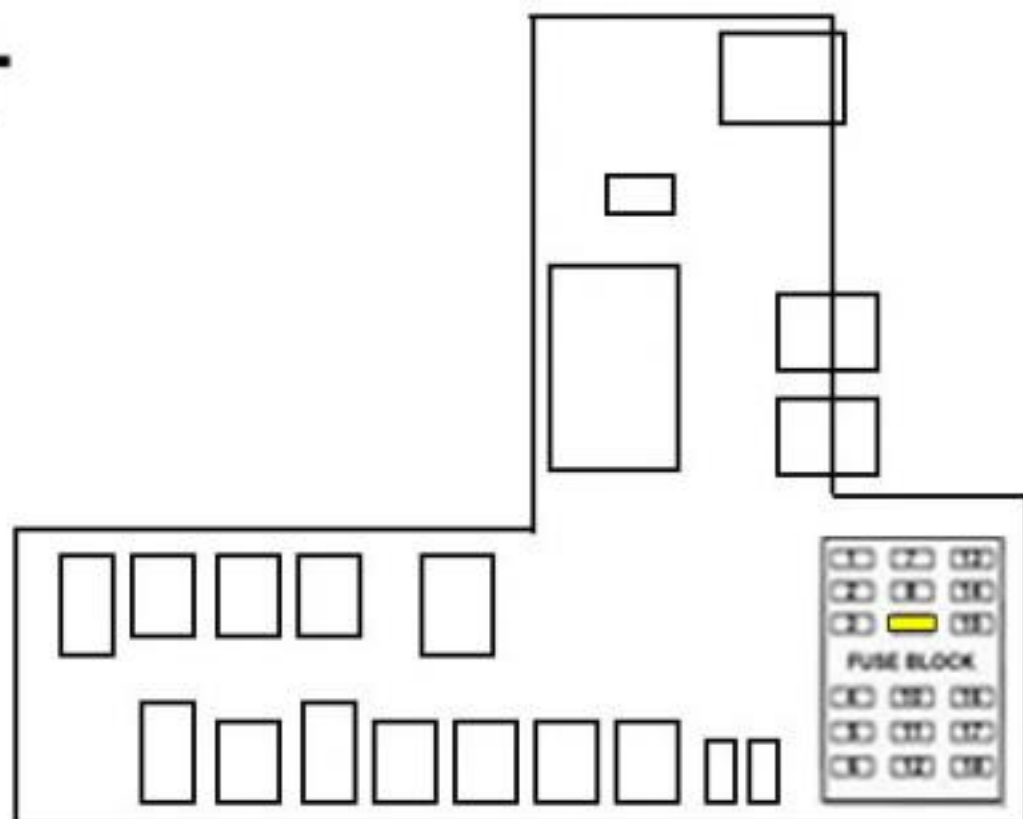
- | | | | |
|-----------|------------|------------|------------------|
| B - BLACK | P - PURPLE | U - BLUE | N - BROWN |
| G - GREEN | R - RED | W - WHITE | O - ORANGE |
| K - PINK | S - SLATE | Y - YELLOW | LG - LIGHT GREEN |



DOOR MIRROR CIRCUIT

THE HIGHLIGHTED ITEMS IN THE RELAY COMPARTMENT DIAGRAM TO THE RIGHT ARE THE ITEMS OUTLINED IN THIS DIAGRAM.

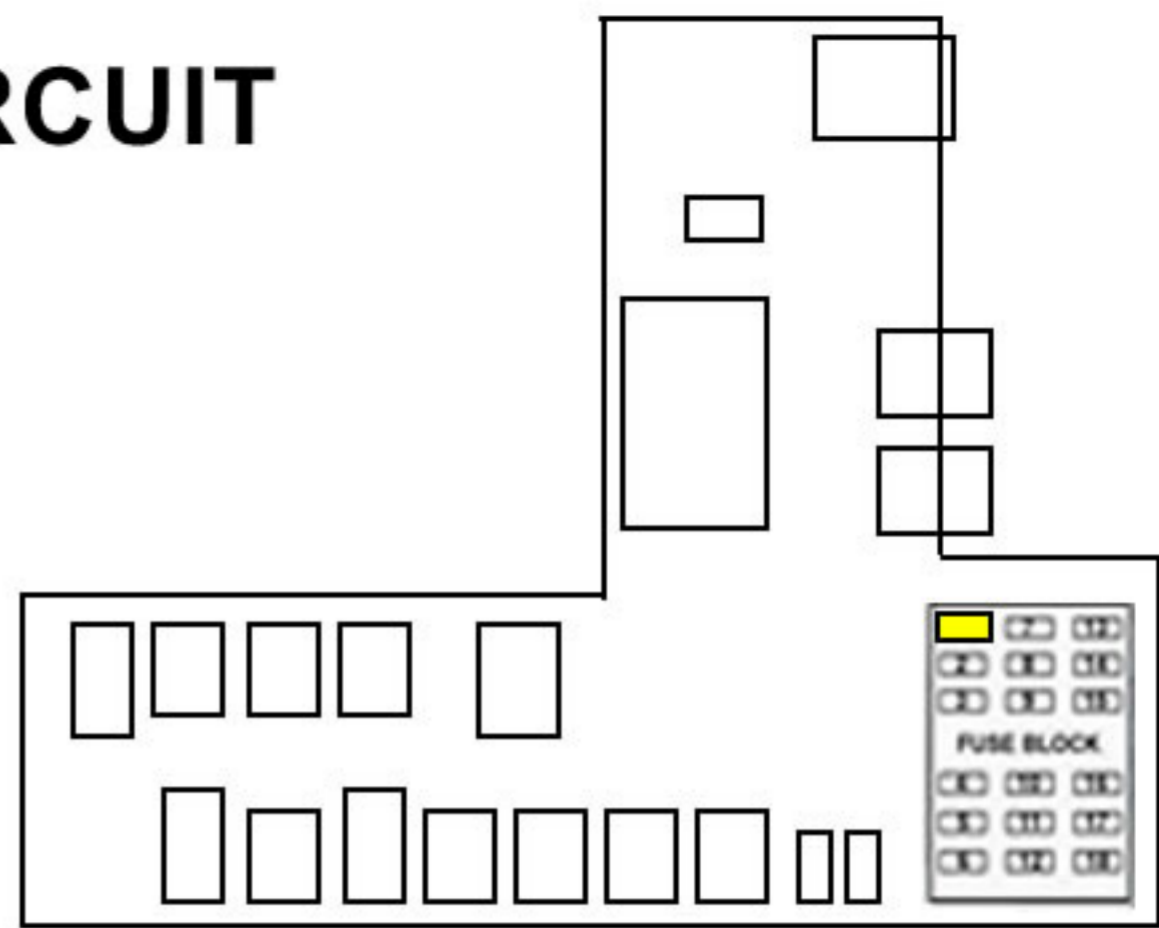
B - BLACK P - PURPLE U - BLUE N - BROWN
 G - GREEN R - RED W - WHITE O - ORANGE
 K - PINK S - SLATE Y - YELLOW LG - LIGHT GREEN



ELECTRICAL IGNITION CIRCUIT

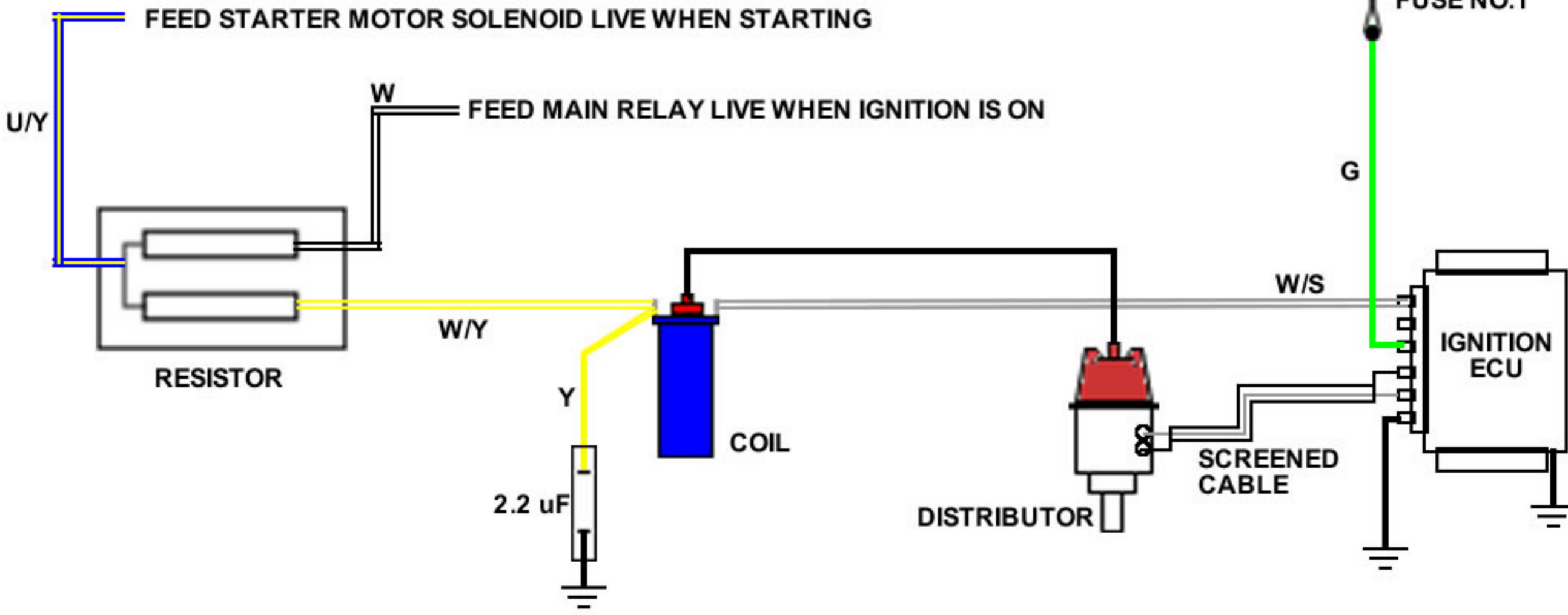
THE HIGHLIGHTED ITEMS IN THE RELAY COMPARTMENT DIAGRAM TO THE RIGHT ARE THE ITEMS OUTLINED IN THIS DIAGRAM.

B - BLACK	P - PURPLE	U - BLUE	N - BROWN
G - GREEN	R - RED	W - WHITE	O - ORANGE
K - PINK	S - SLATE	Y - YELLOW	LG - LIGHT GREEN



FEED MAIN RELAY LIVE WHEN IGNITION IS ON

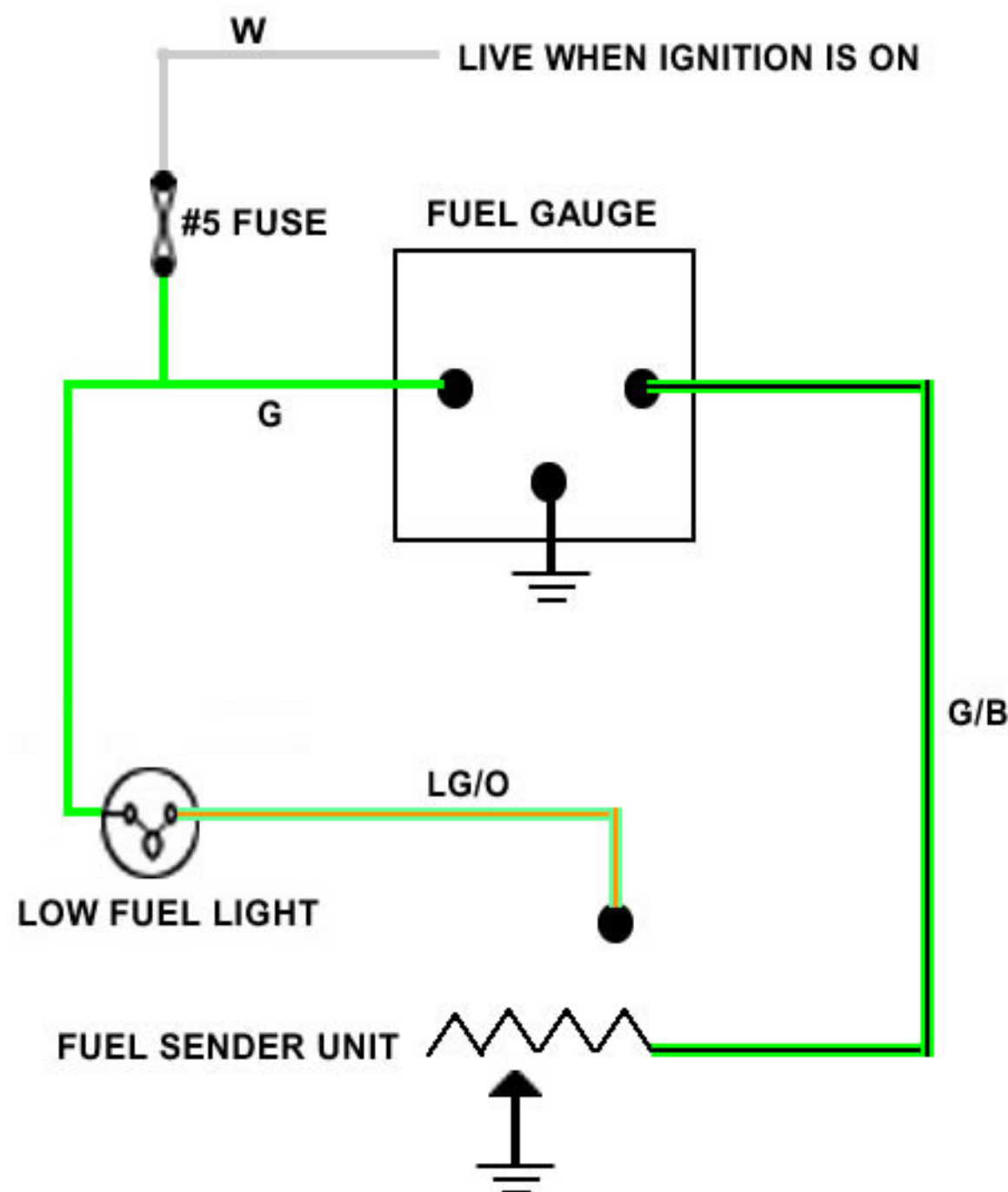
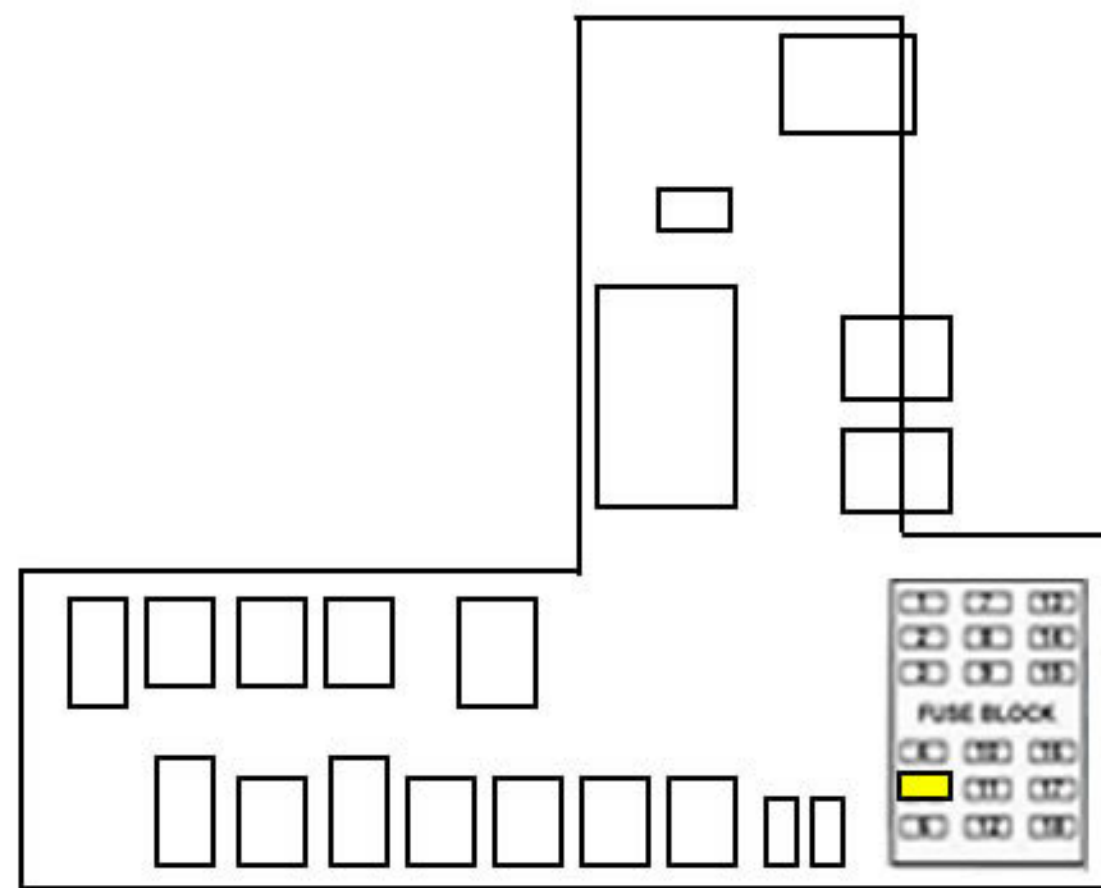
FEED STARTER MOTOR SOLENOID LIVE WHEN STARTING



FUEL GAUGE CIRCUIT

THE HIGHLIGHTED ITEMS IN THE RELAY COMPARTMENT DIAGRAM TO THE RIGHT ARE THE ITEMS OUTLINED IN THIS DIAGRAM.

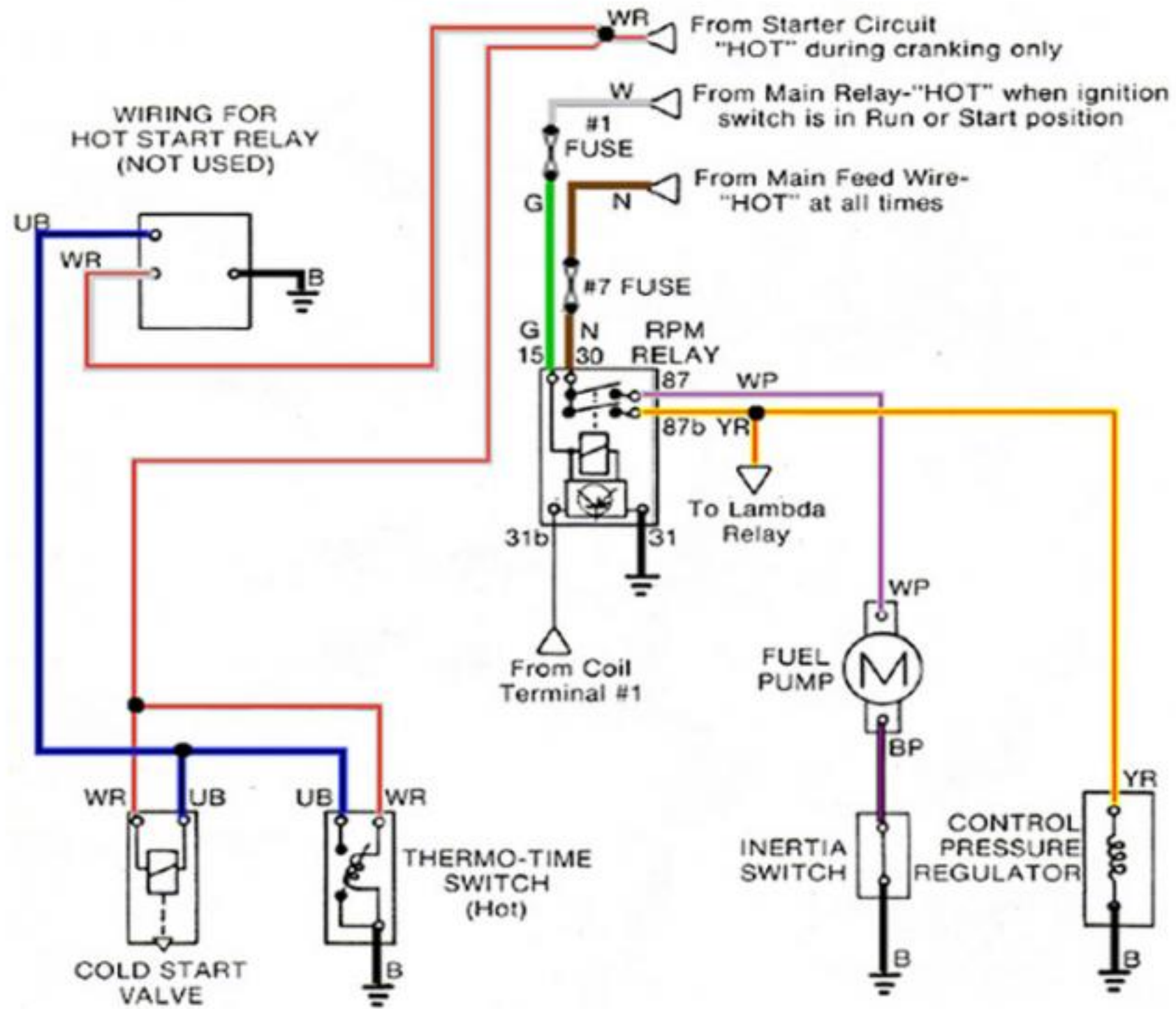
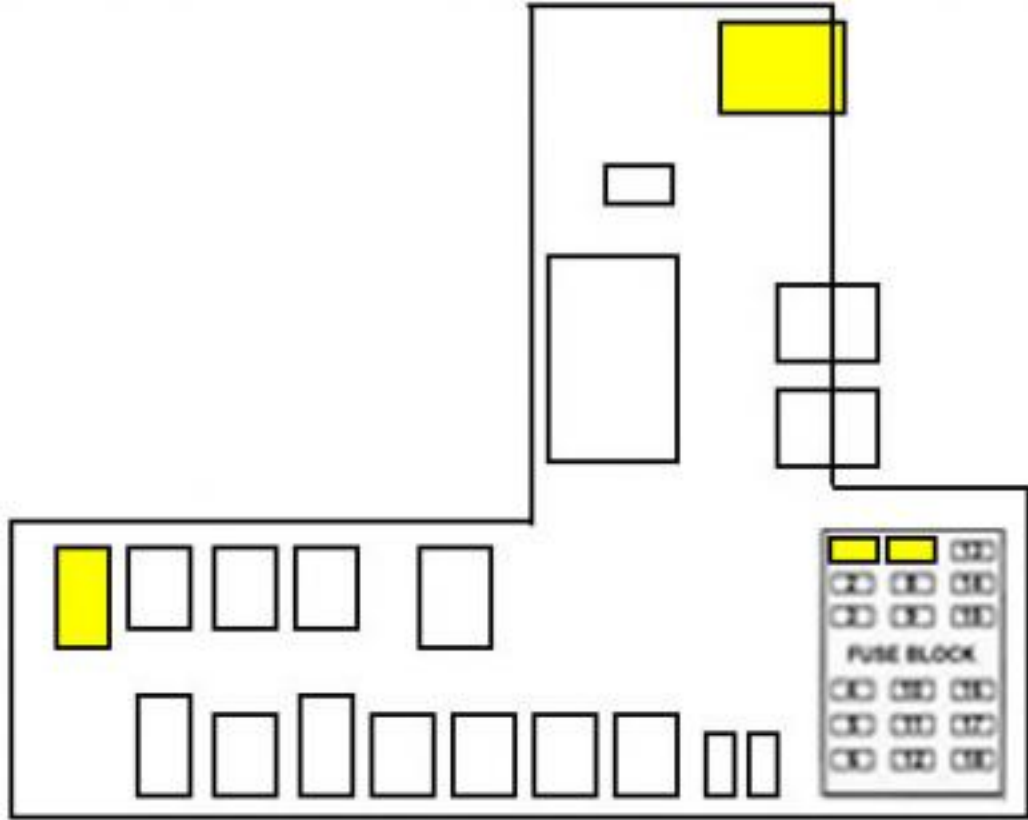
B - BLACK	P - PURPLE	U - BLUE	N - BROWN
G - GREEN	R - RED	W - WHITE	O - ORANGE
K - PINK	S - SLATE	Y - YELLOW	LG - LIGHT GREEN



FUEL PUMP CIRCUIT

THE HIGHLIGHTED ITEMS IN THE RELAY COMPARTMENT DIAGRAM TO THE RIGHT ARE THE ITEMS OUTLINED IN THIS DIAGRAM.

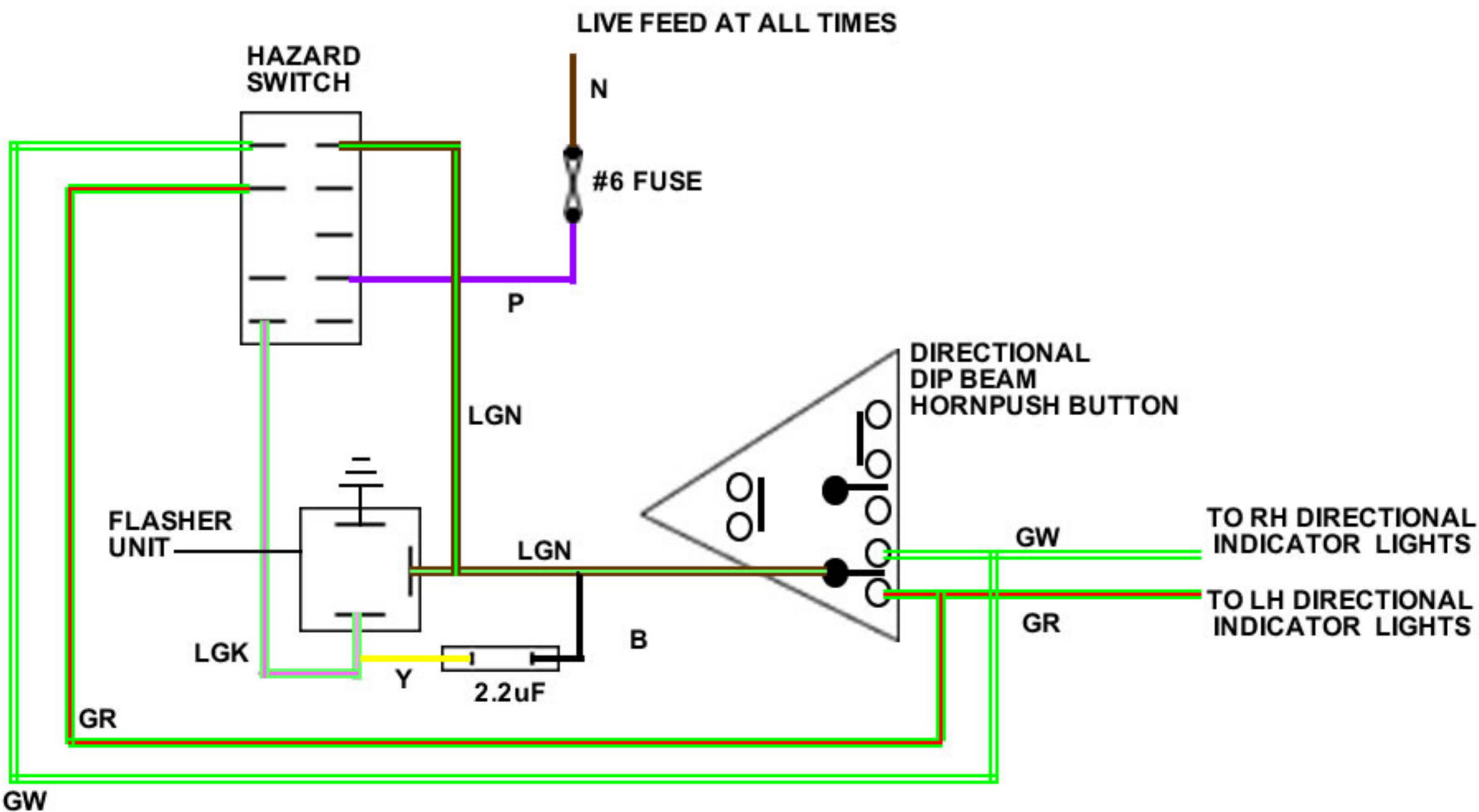
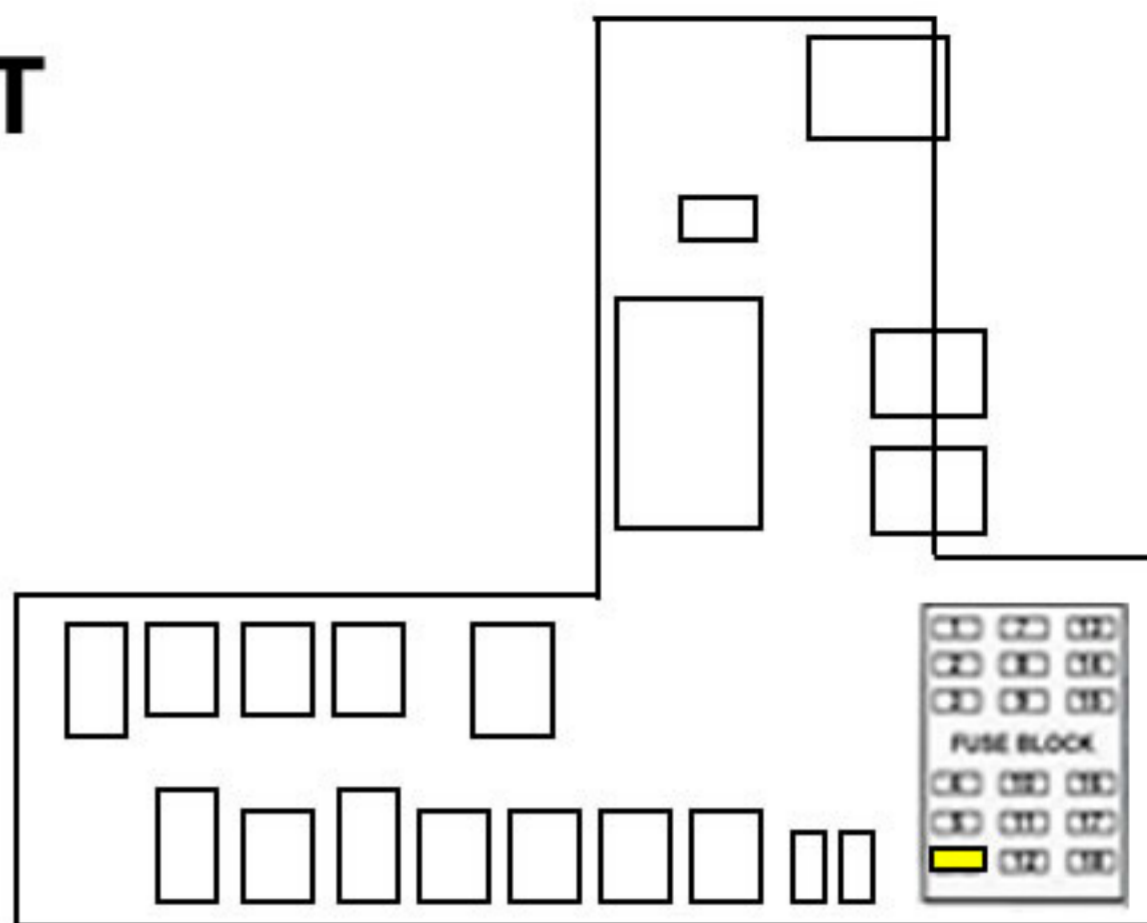
- | | | | |
|-----------|------------|------------|------------------|
| B - BLACK | P - PURPLE | U - BLUE | N - BROWN |
| G - GREEN | R - RED | W - WHITE | O - ORANGE |
| K - PINK | S - SLATE | Y - YELLOW | LG - LIGHT GREEN |



HAZARD WIRING CIRCUIT

THE HIGHLIGHTED ITEMS IN THE RELAY COMPARTMENT DIAGRAM TO THE RIGHT ARE THE ITEMS OUTLINED IN THIS DIAGRAM.

B - BLACK	P - PURPLE	U - BLUE	N - BROWN
G - GREEN	R - RED	W - WHITE	O - ORANGE
K - PINK	S - SLATE	Y - YELLOW	LG - LIGHT GREEN

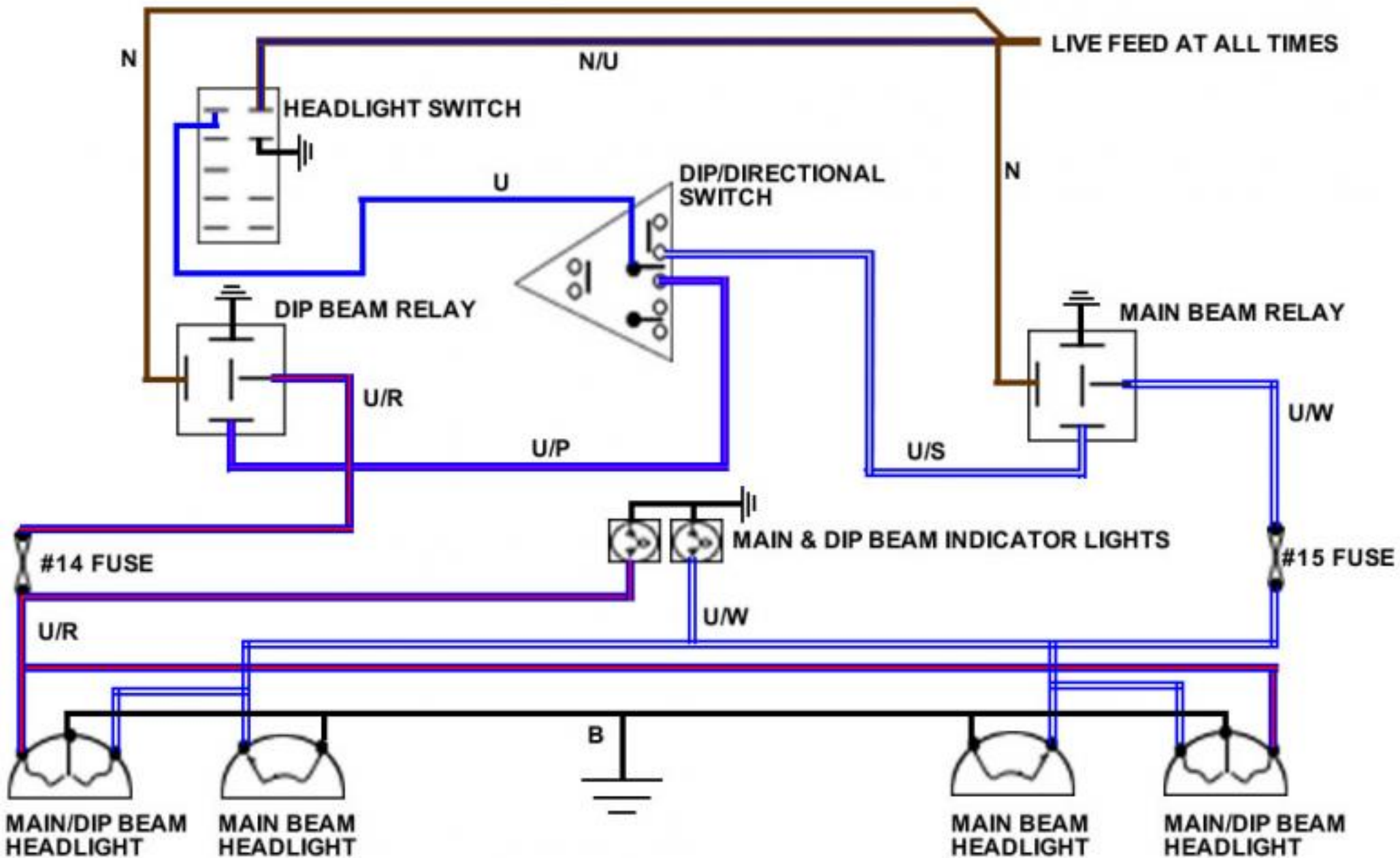
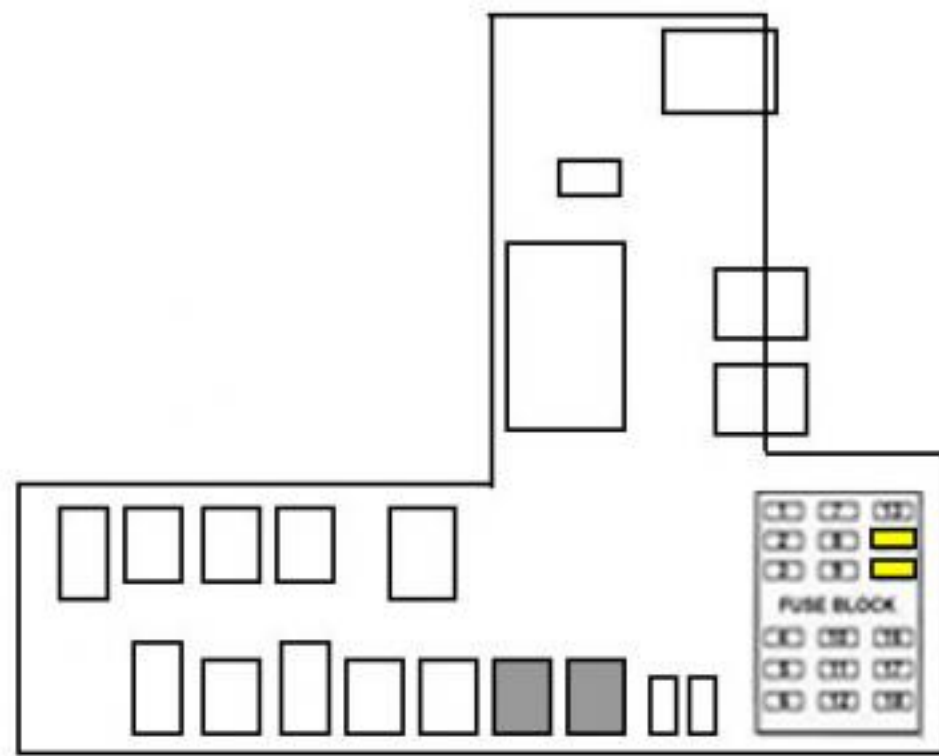


GW

HEADLAMP CIRCUIT

THE HIGHLIGHTED ITEMS IN THE RELAY COMPARTMENT DIAGRAM TO THE RIGHT ARE THE ITEMS OUTLINED IN THIS DIAGRAM.

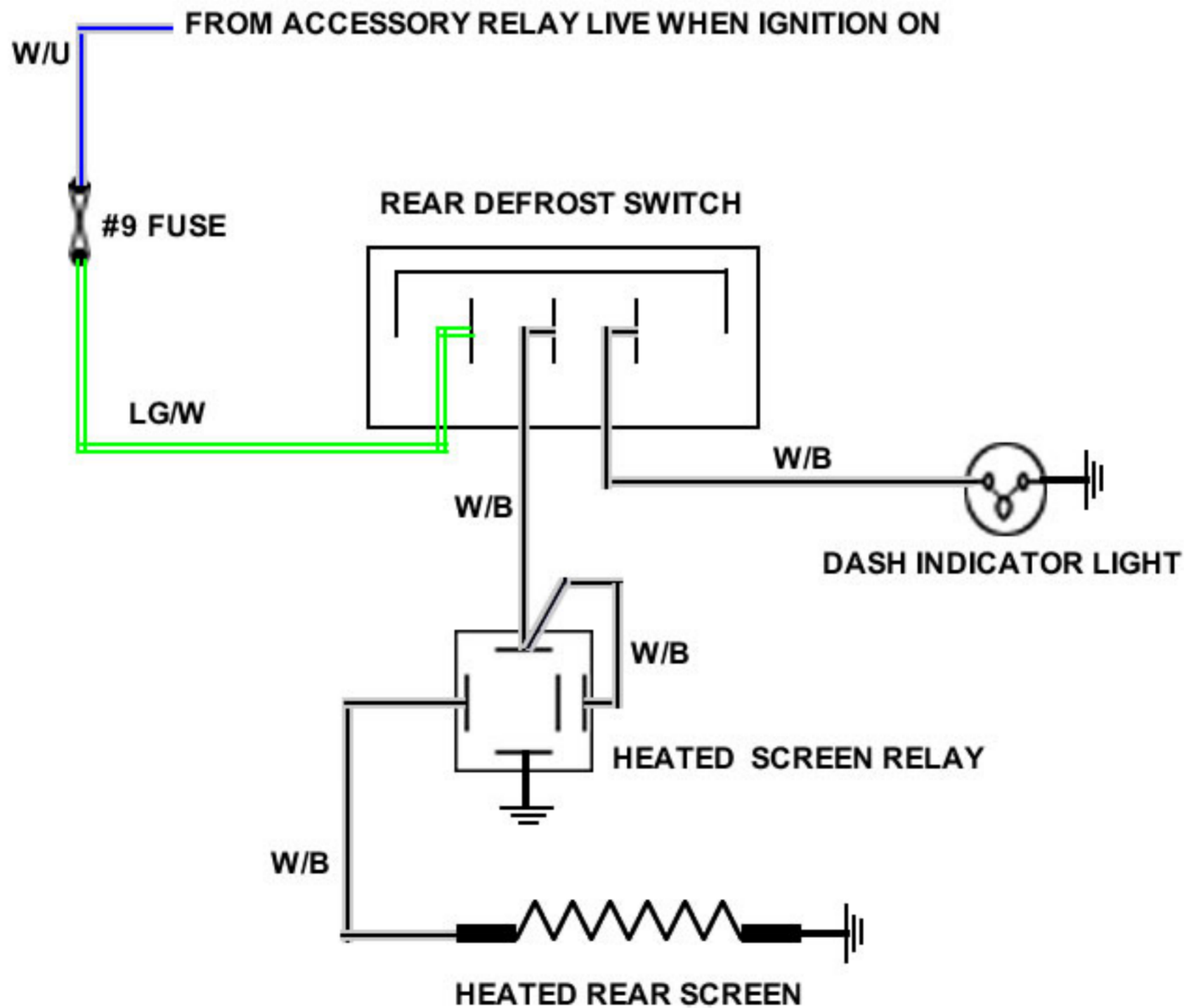
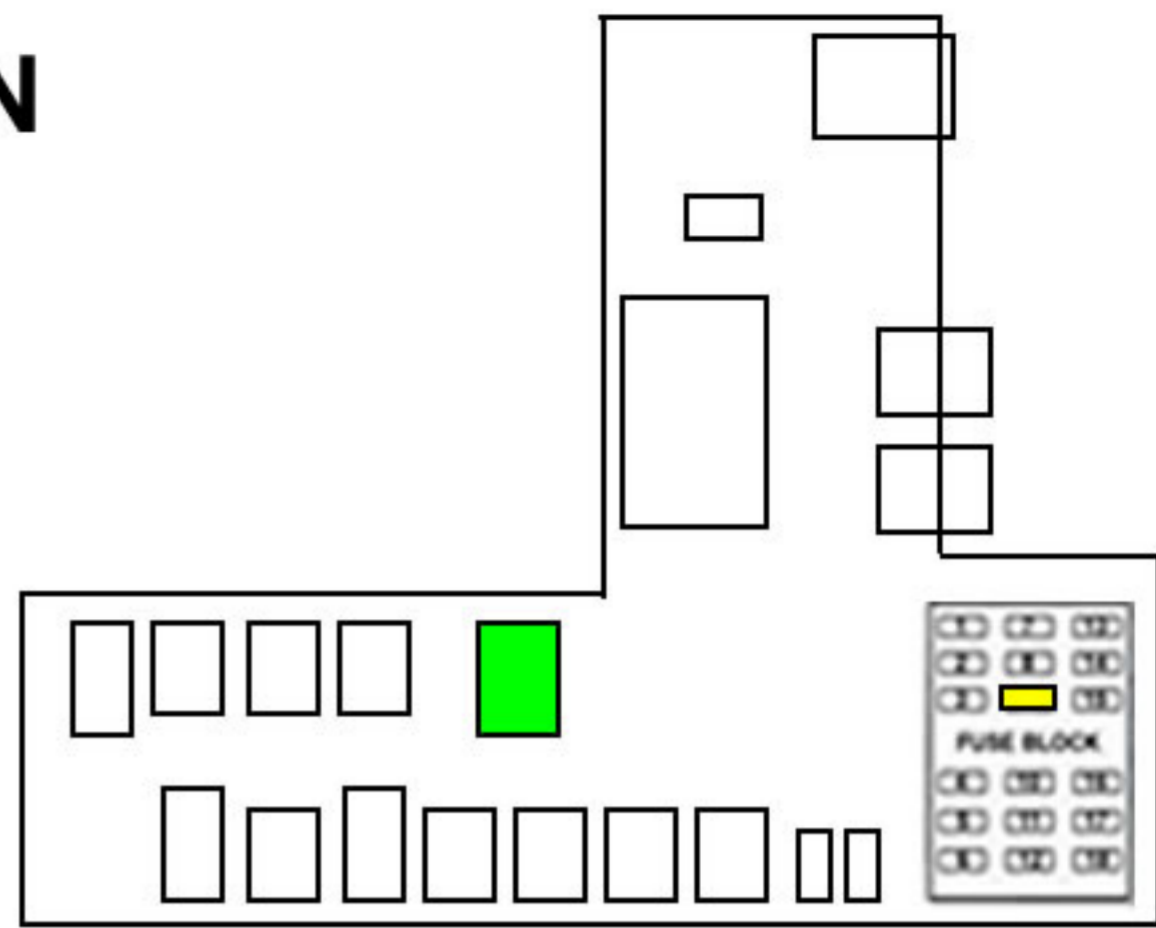
B - BLACK	P - PURPLE	U - BLUE	N - BROWN
G - GREEN	R - RED	W - WHITE	O - ORANGE
K - PINK	S - SLATE	Y - YELLOW	LG - LIGHT GREEN



HEATED REAR SCREEN WIRING CIRCUIT

THE HIGHLIGHTED ITEMS IN THE RELAY COMPARTMENT DIAGRAM TO THE RIGHT ARE THE ITEMS OUTLINED IN THIS DIAGRAM.

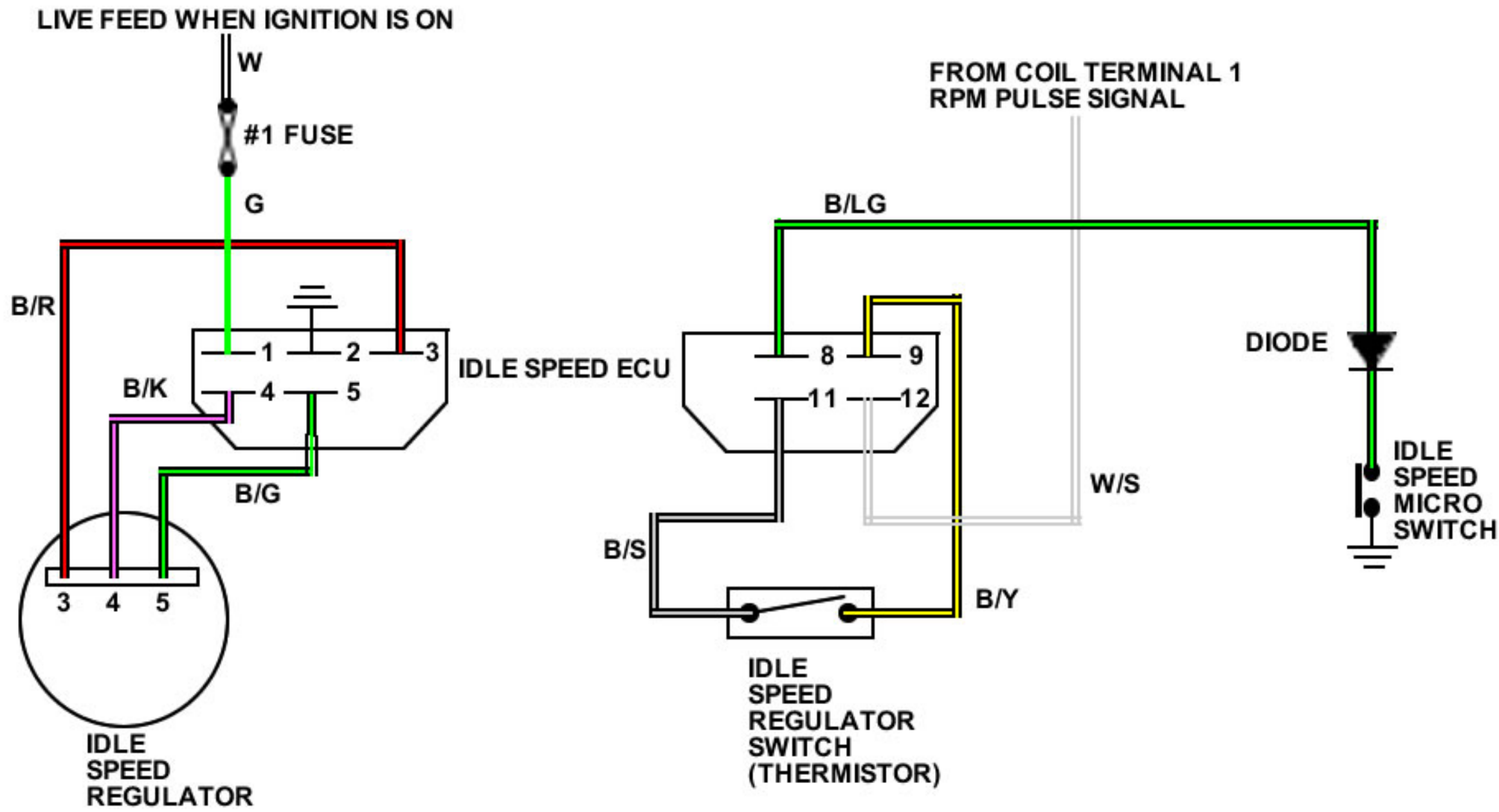
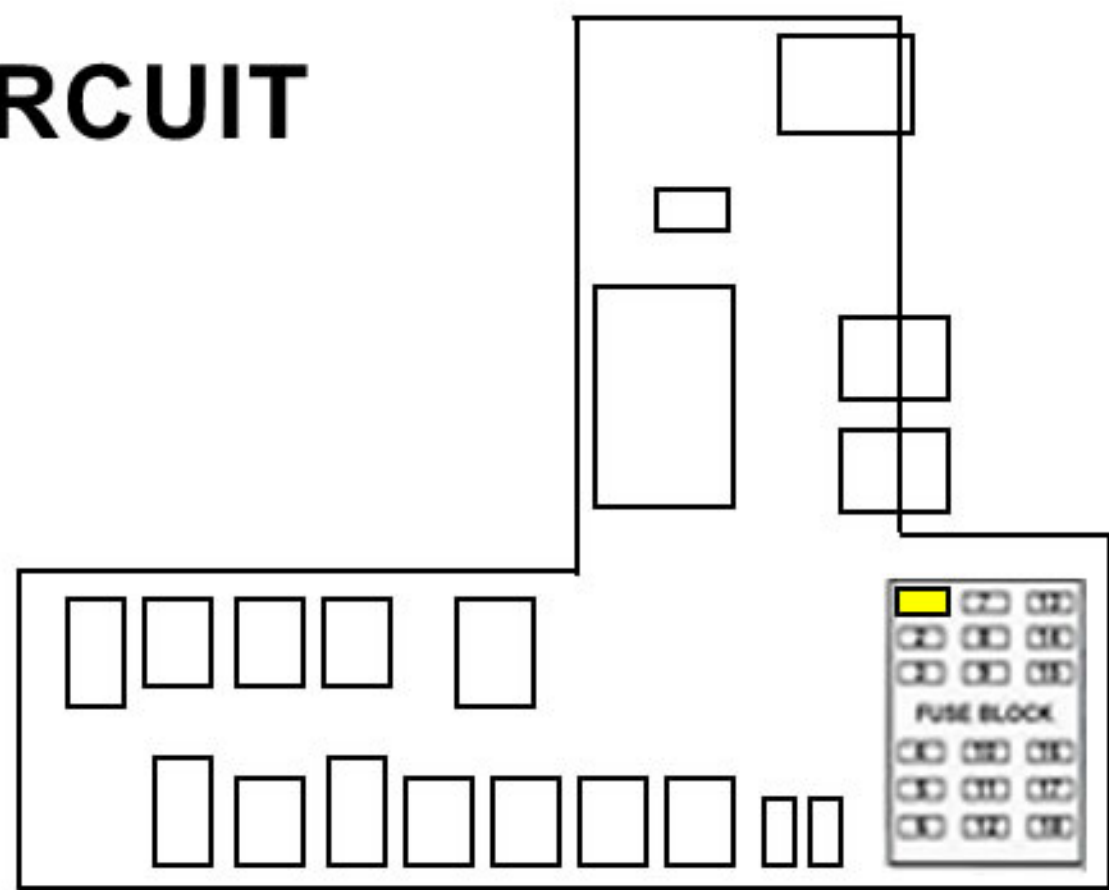
B - BLACK	P - PURPLE	U - BLUE	N - BROWN
G - GREEN	R - RED	W - WHITE	O - ORANGE
K - PINK	S - SLATE	Y - YELLOW	LG - LIGHT GREEN



IDLE SPEED CONTROL CIRCUIT

THE HIGHLIGHTED ITEMS IN THE RELAY COMPARTMENT DIAGRAM TO THE RIGHT ARE THE ITEMS OUTLINED IN THIS DIAGRAM.

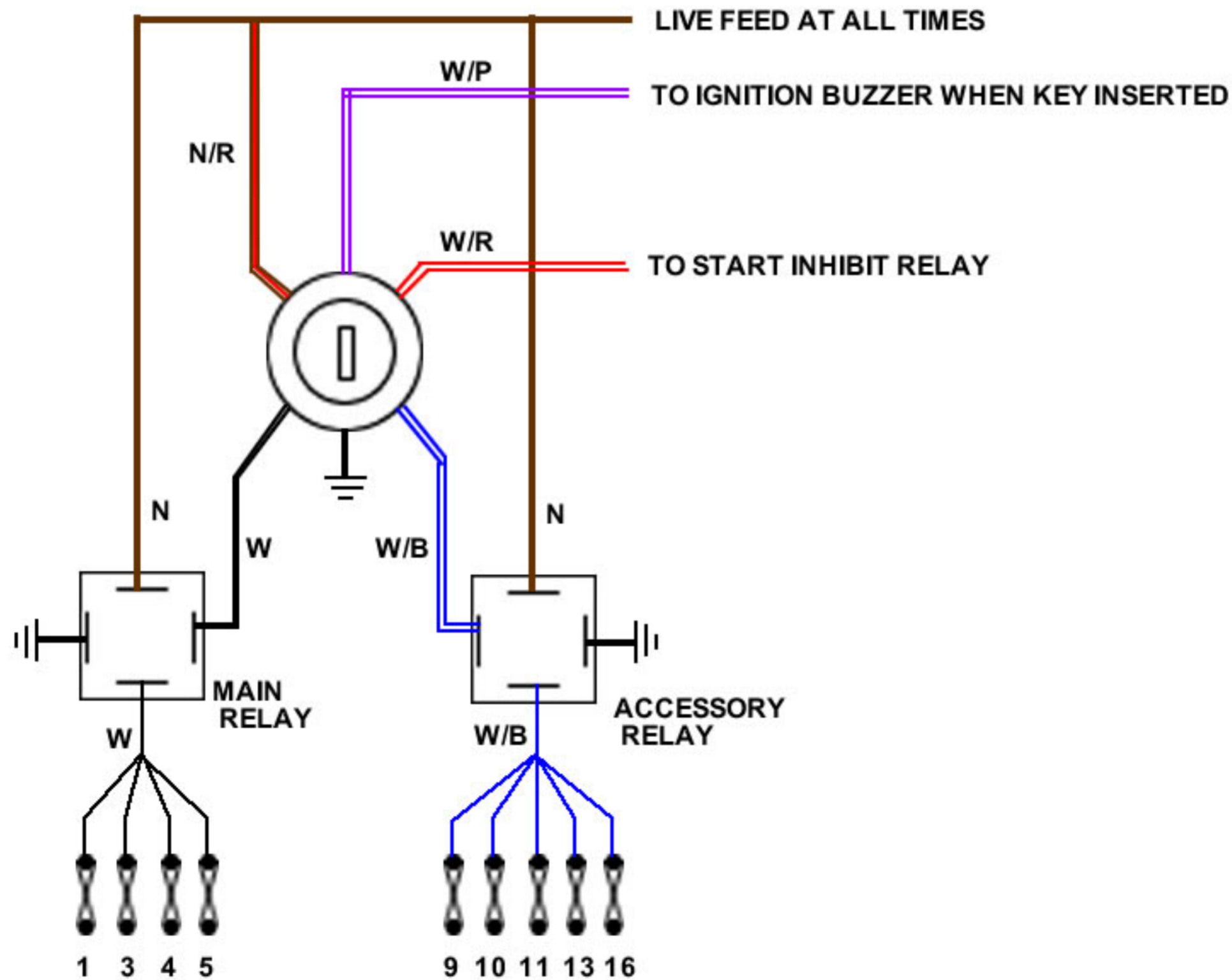
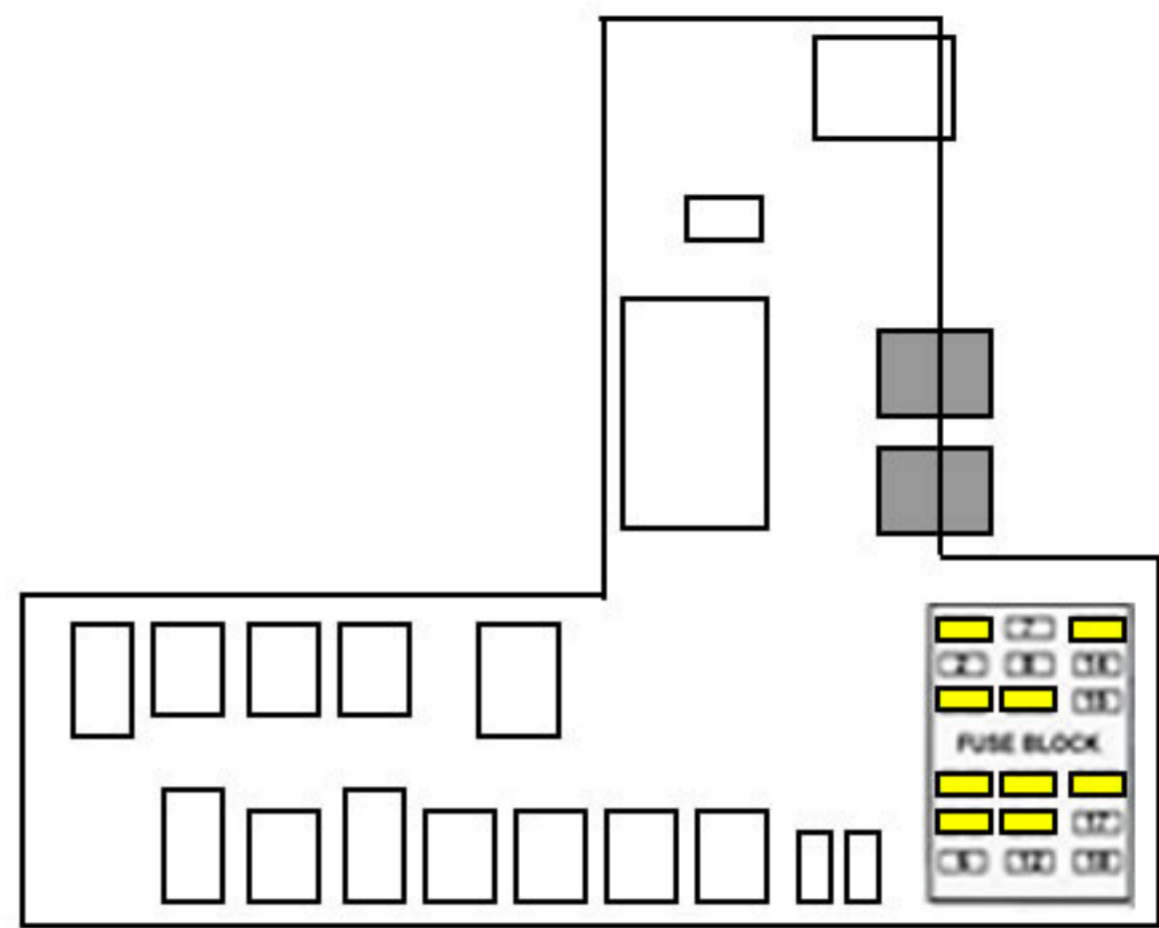
- | | | | |
|-----------|------------|------------|------------------|
| B - BLACK | P - PURPLE | U - BLUE | N - BROWN |
| G - GREEN | R - RED | W - WHITE | O - ORANGE |
| K - PINK | S - SLATE | Y - YELLOW | LG - LIGHT GREEN |



IGNITION CIRCUIT

THE HIGHLIGHTED ITEMS IN THE RELAY COMPARTMENT DIAGRAM TO THE RIGHT ARE THE ITEMS OUTLINED IN THIS DIAGRAM.

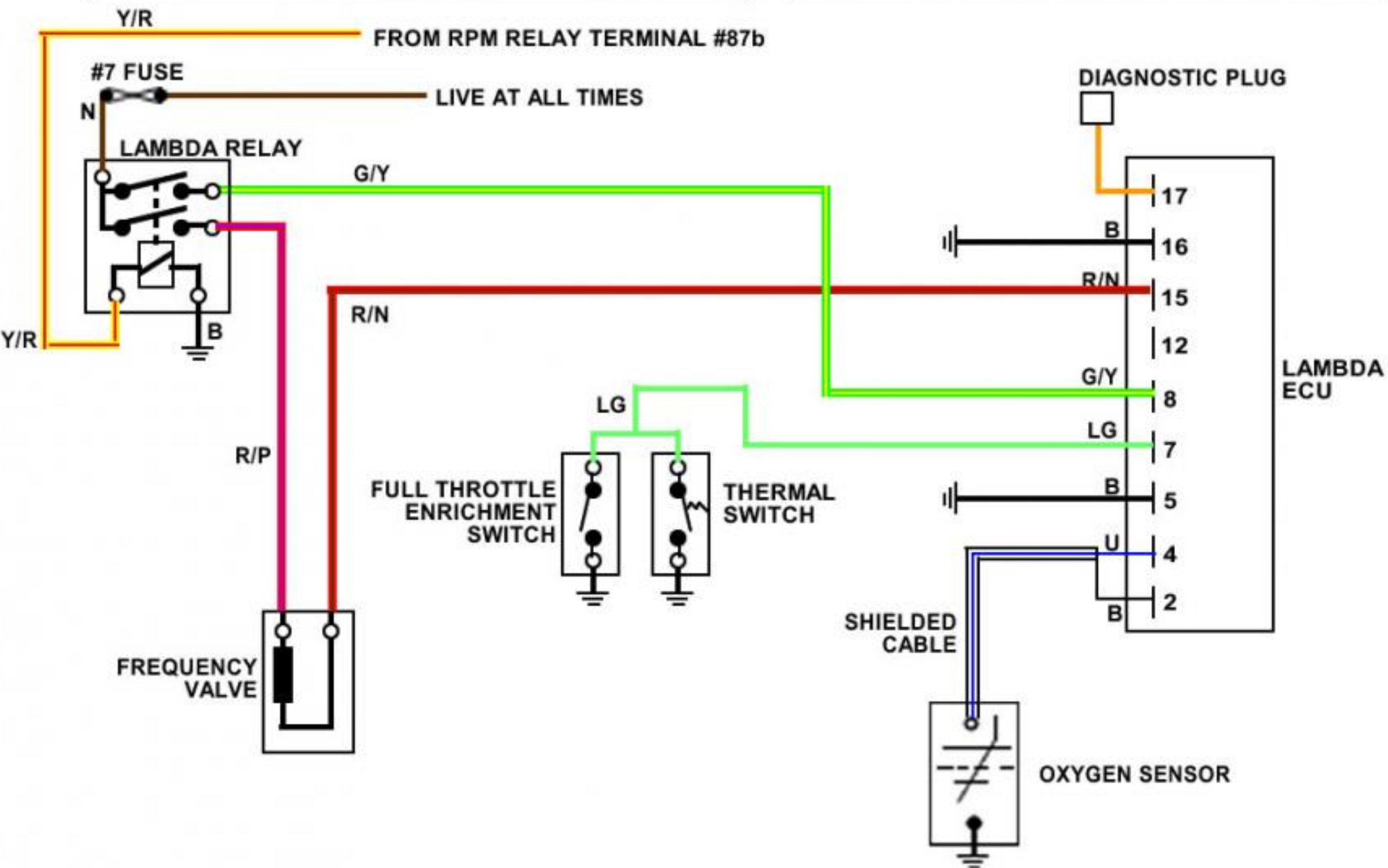
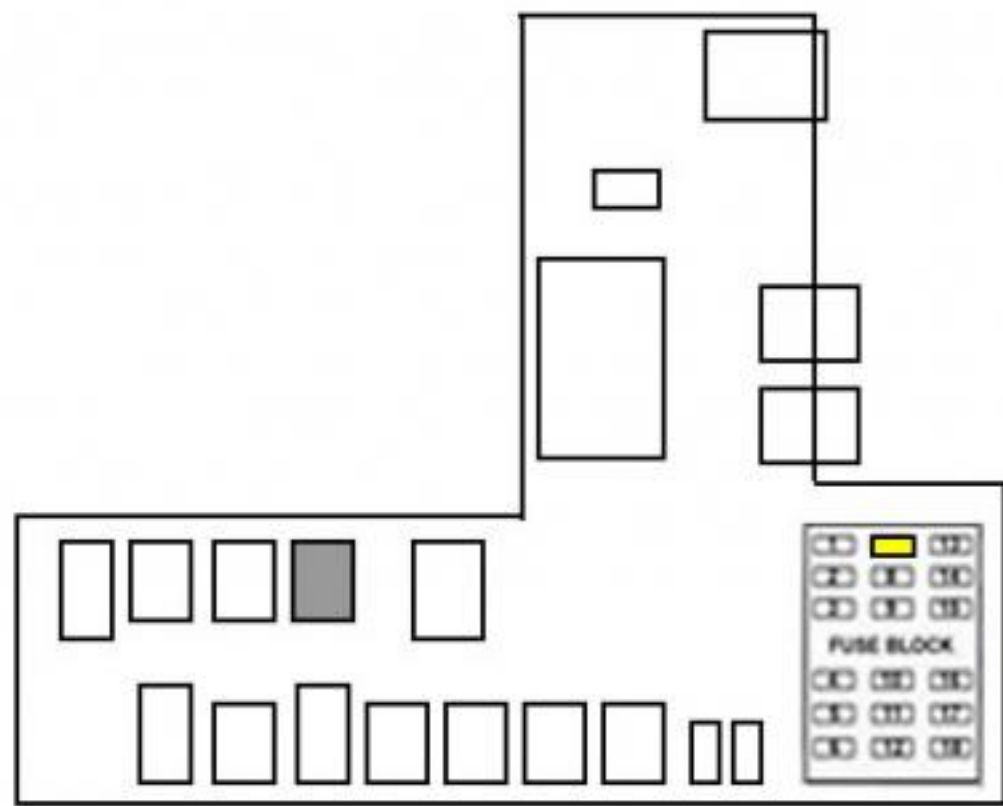
- | | | | |
|-----------|------------|------------|------------------|
| B - BLACK | P - PURPLE | U - BLUE | N - BROWN |
| G - GREEN | R - RED | W - WHITE | O - ORANGE |
| K - PINK | S - SLATE | Y - YELLOW | LG - LIGHT GREEN |



LAMBDA CIRCUIT

THE HIGHLIGHTED ITEMS IN THE RELAY COMPARTMENT DIAGRAM TO THE RIGHT ARE THE ITEMS OUTLINED IN THIS DIAGRAM.

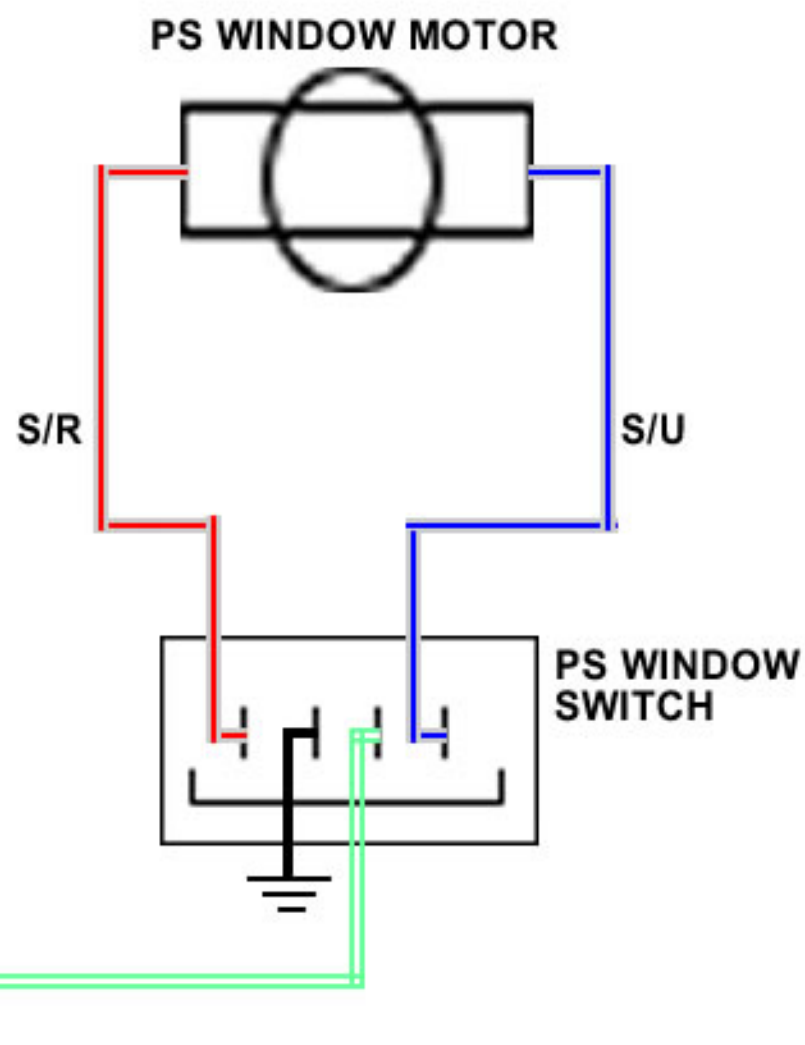
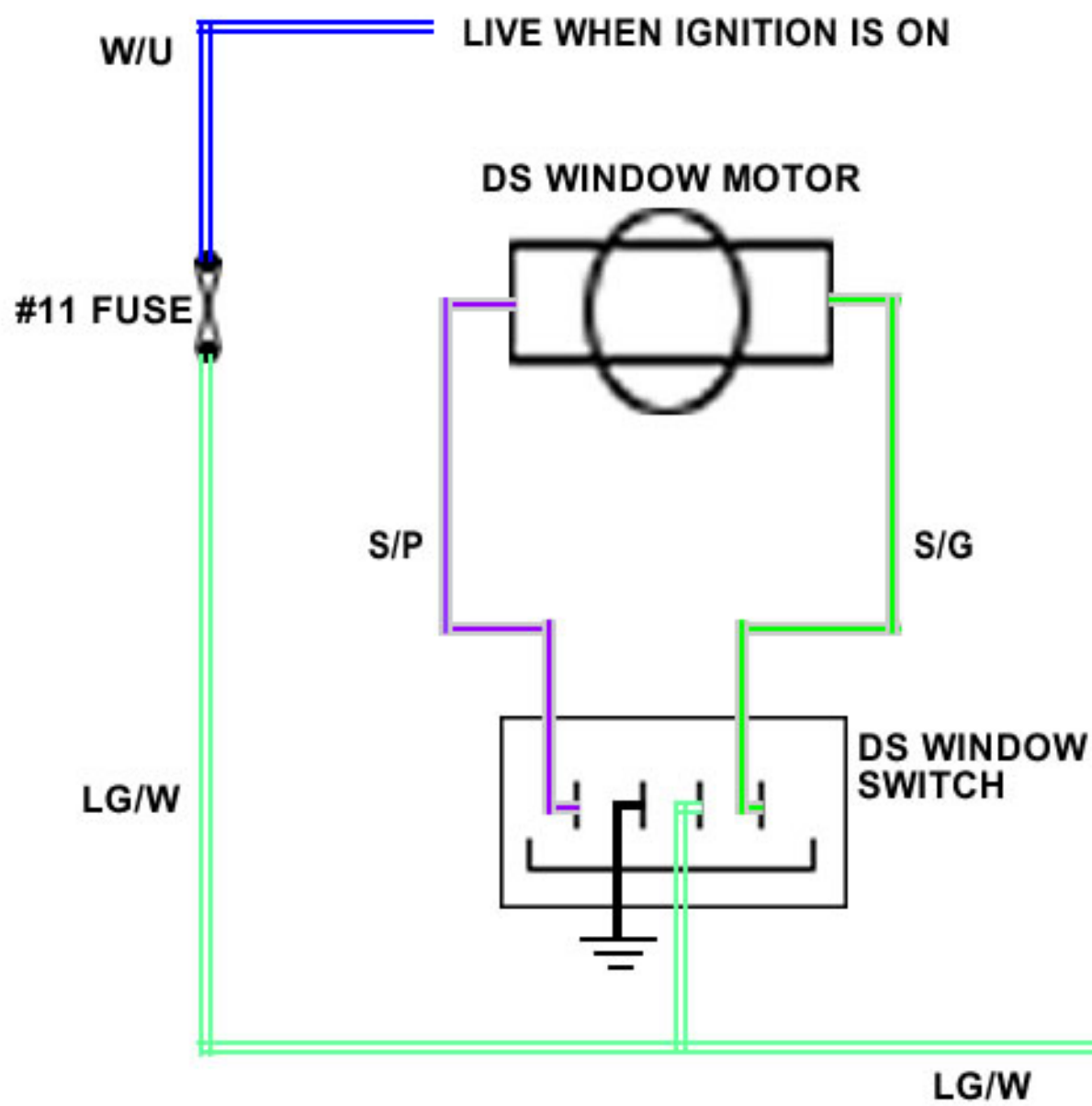
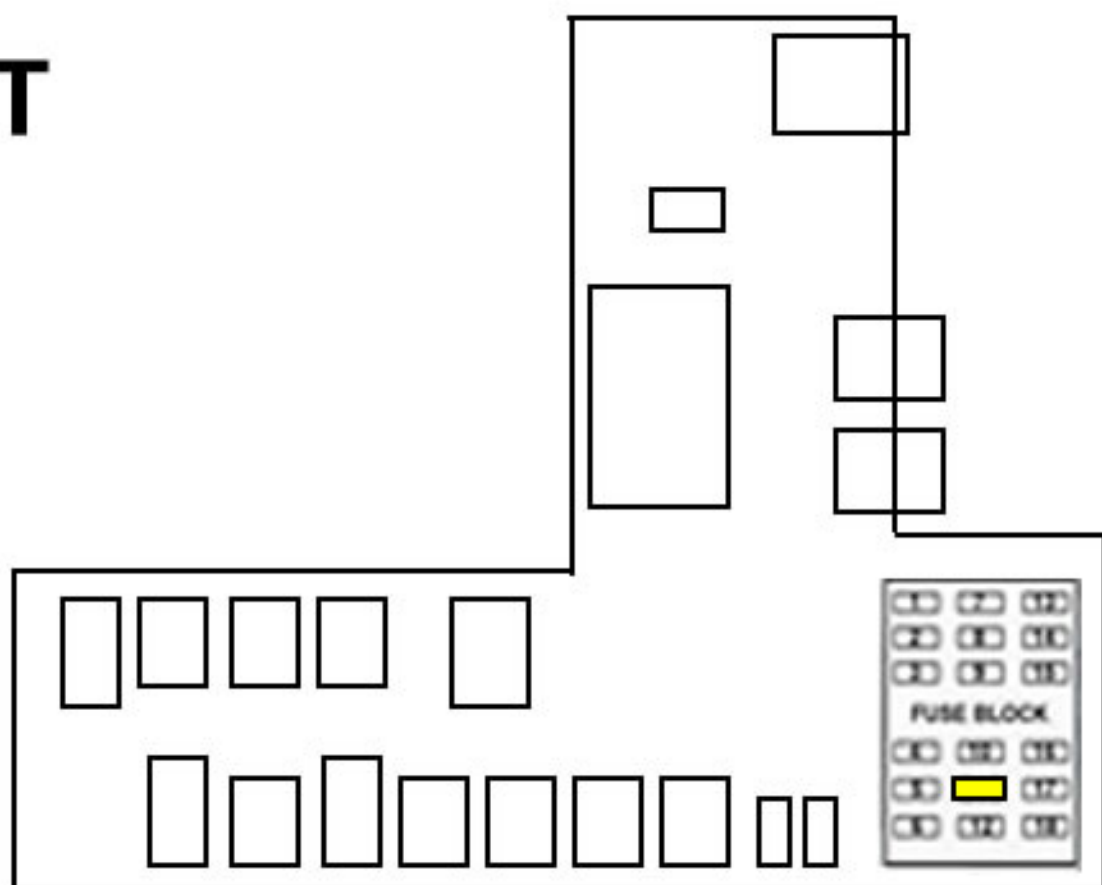
B - BLACK P - PURPLE U - BLUE N - BROWN
 G - GREEN R - RED W - WHITE O - ORANGE
 K - PINK S - SLATE Y - YELLOW LG - LIGHT GREEN



POWER WINDOW CIRCUIT

THE HIGHLIGHTED ITEMS IN THE RELAY COMPARTMENT DIAGRAM TO THE RIGHT ARE THE ITEMS OUTLINED IN THIS DIAGRAM.

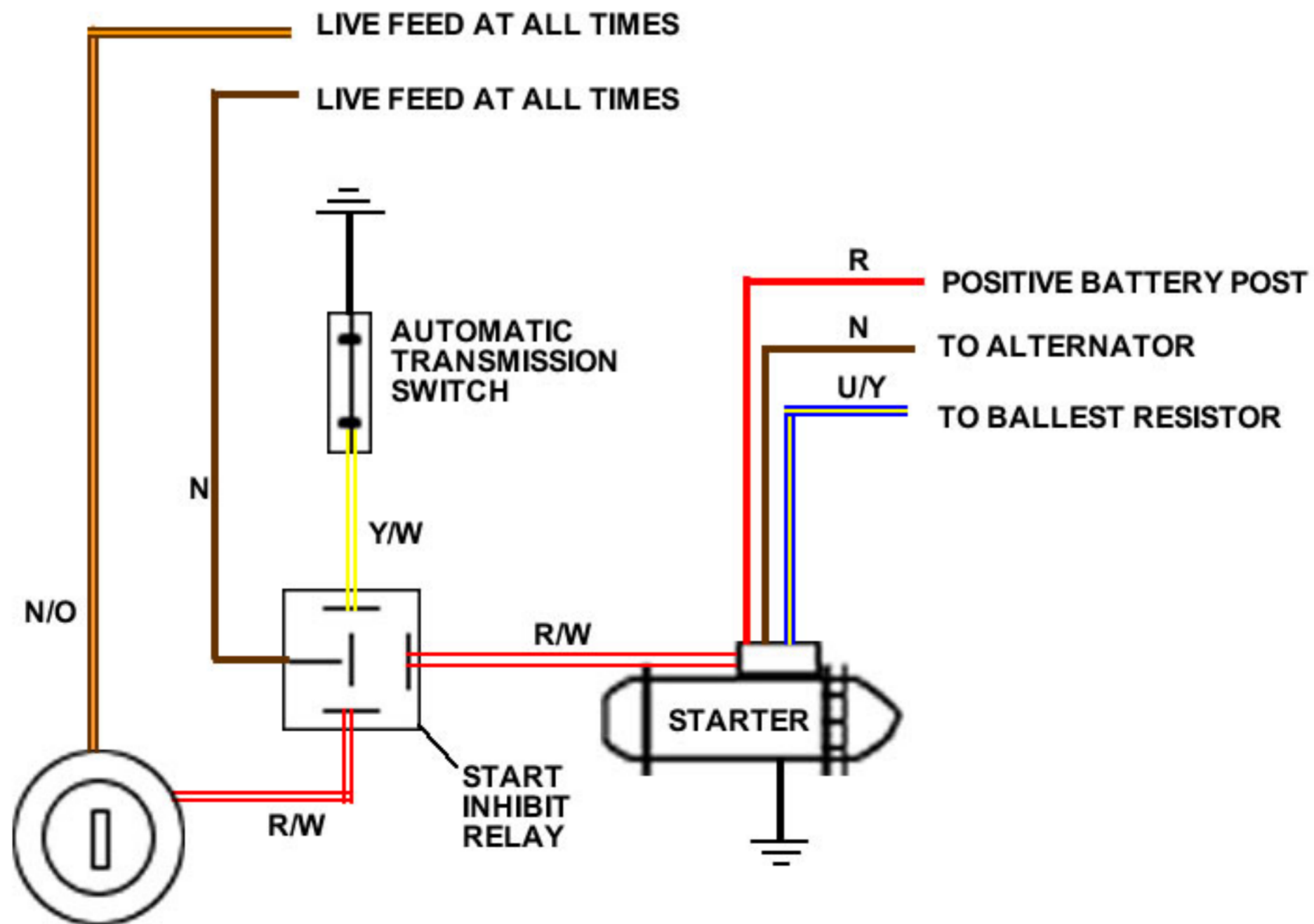
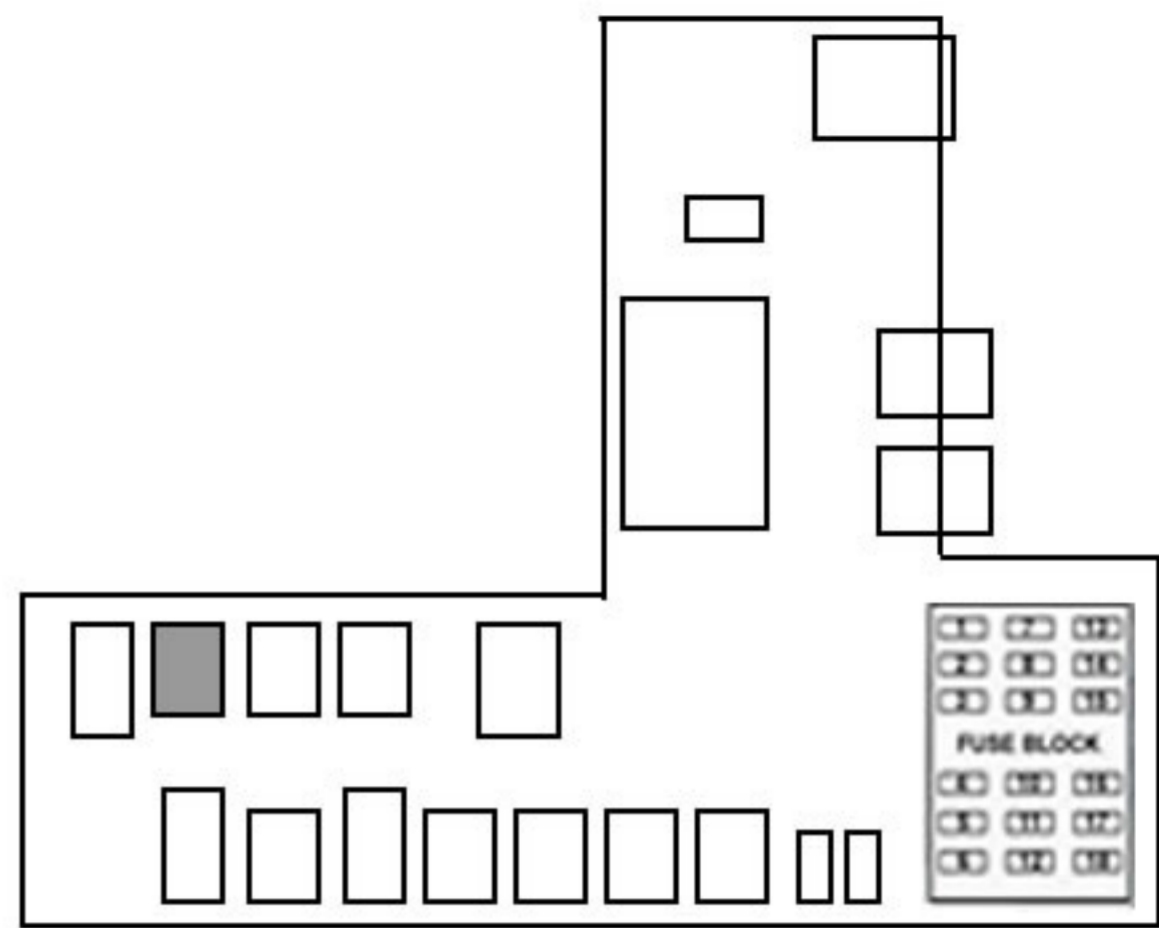
- | | | | |
|-----------|------------|------------|------------------|
| B - BLACK | P - PURPLE | U - BLUE | N - BROWN |
| G - GREEN | R - RED | W - WHITE | O - ORANGE |
| K - PINK | S - SLATE | Y - YELLOW | LG - LIGHT GREEN |



STARTER CIRCUIT

THE HIGHLIGHTED ITEMS IN THE RELAY COMPARTMENT DIAGRAM TO THE RIGHT ARE THE ITEMS OUTLINED IN THIS DIAGRAM.

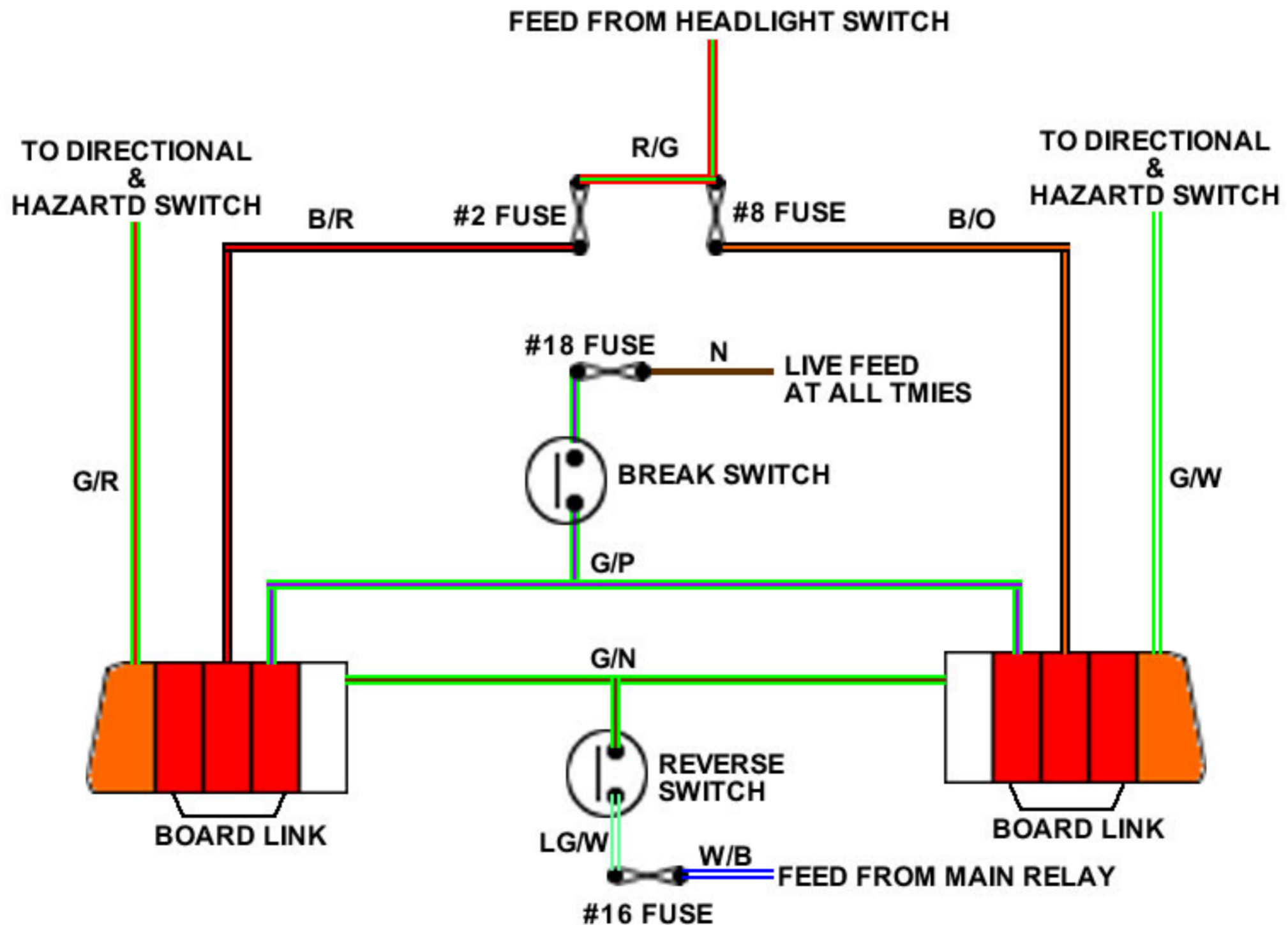
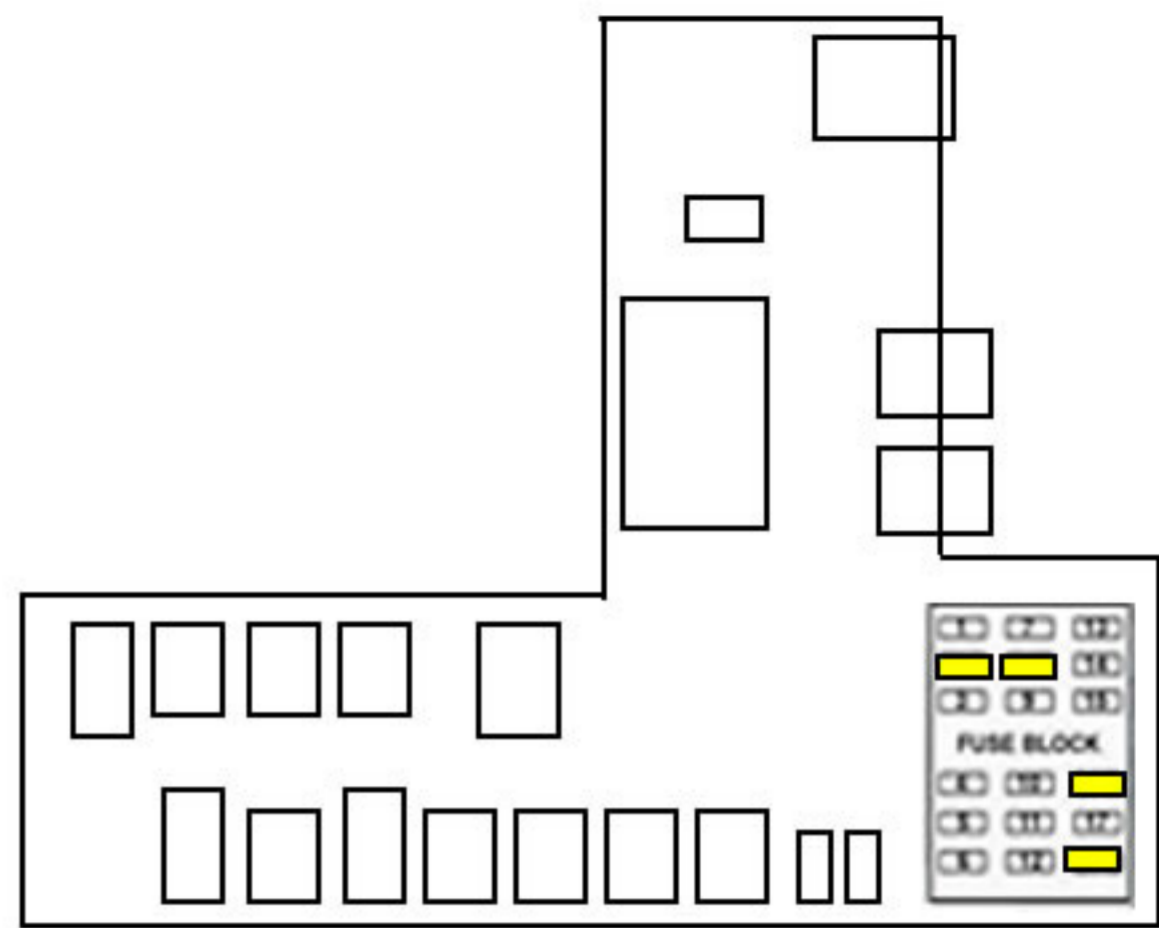
B - BLACK	P - PURPLE	U - BLUE	N - BROWN
G - GREEN	R - RED	W - WHITE	O - ORANGE
K - PINK	S - SLATE	Y - YELLOW	LG - LIGHT GREEN



TAIL LIGHT CIRCUIT

THE HIGHLIGHTED ITEMS IN THE RELAY COMPARTMENT DIAGRAM TO THE RIGHT ARE THE ITEMS OUTLINED IN THIS DIAGRAM.

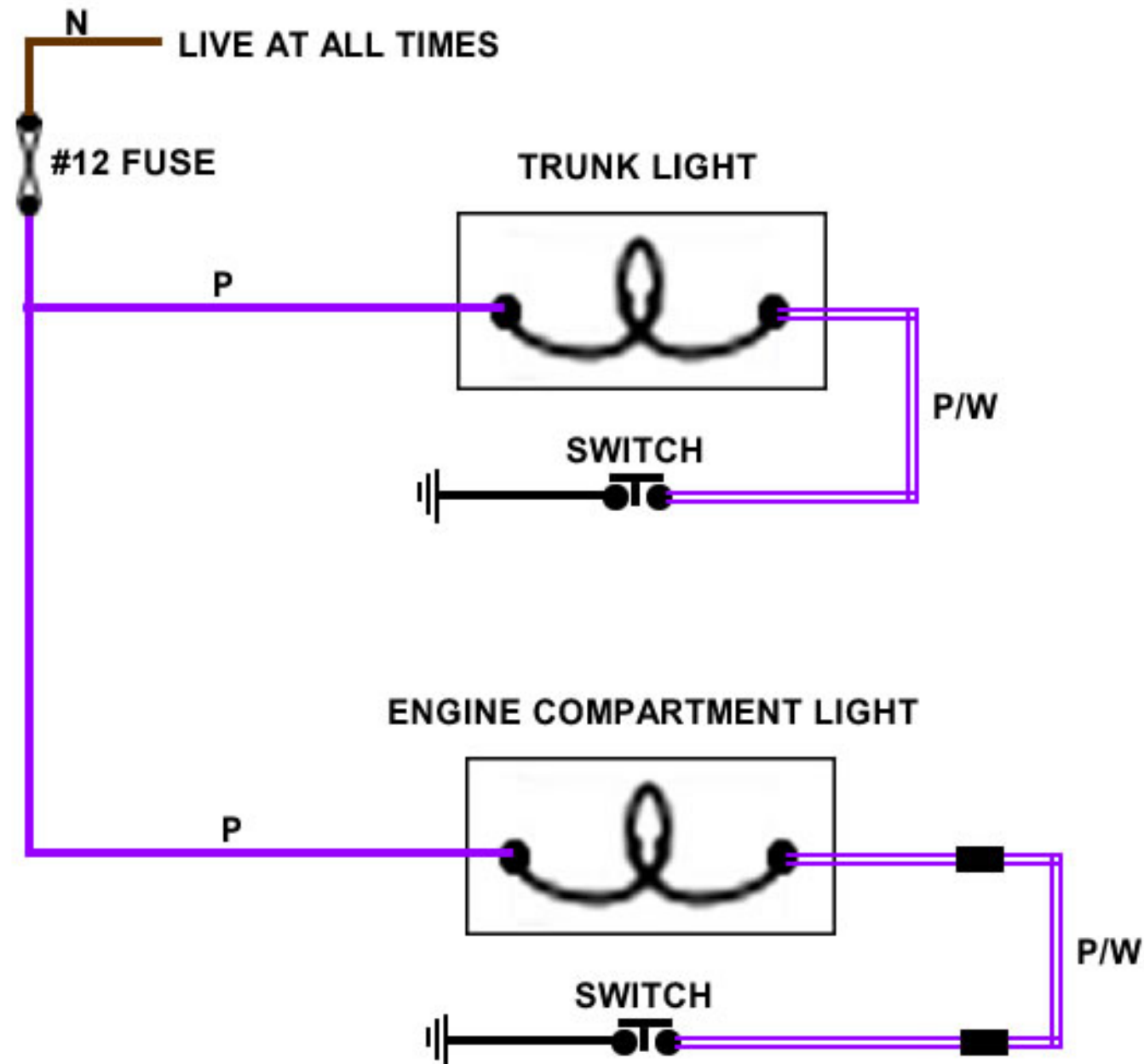
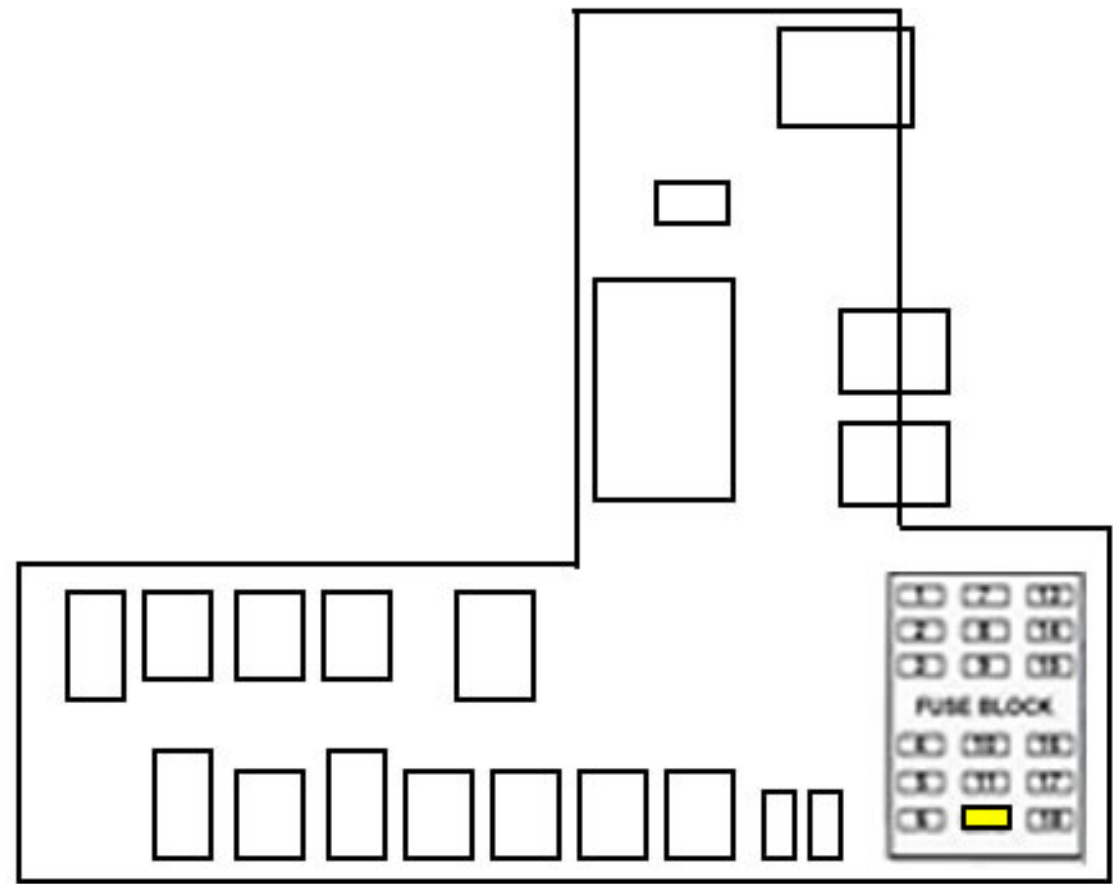
B - BLACK P - PURPLE U - BLUE N - BROWN
 G - GREEN R - RED W - WHITE O - ORANGE
 K - PINK S - SLATE Y - YELLOW LG - LIGHT GREEN



TRUNK & ENGINE COMPARTMENT LIGHT CIRCUIT

THE HIGHLIGHTED ITEMS IN THE RELAY COMPARTMENT DIAGRAM TO THE RIGHT ARE THE ITEMS OUTLINED IN THIS DIAGRAM.

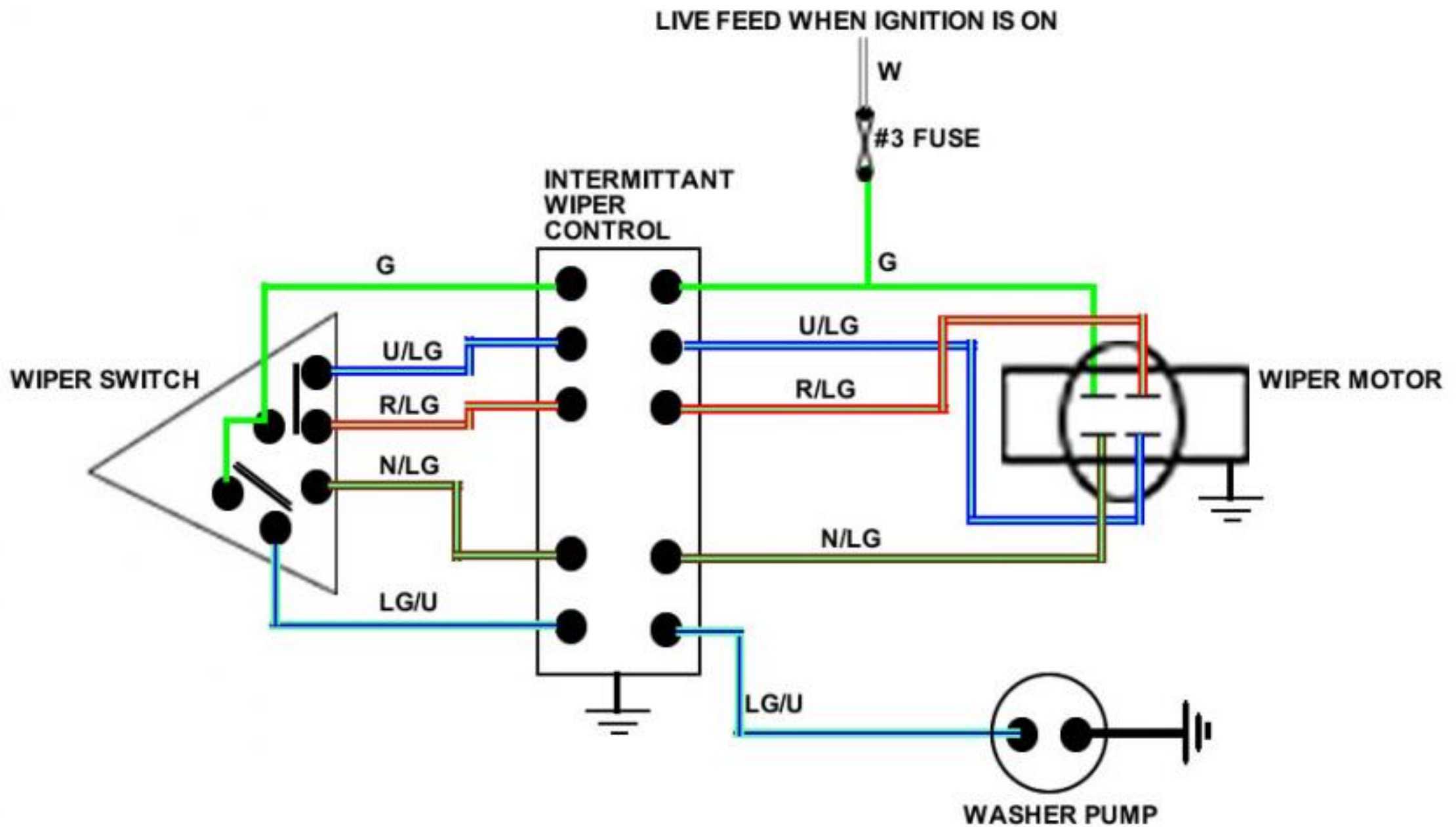
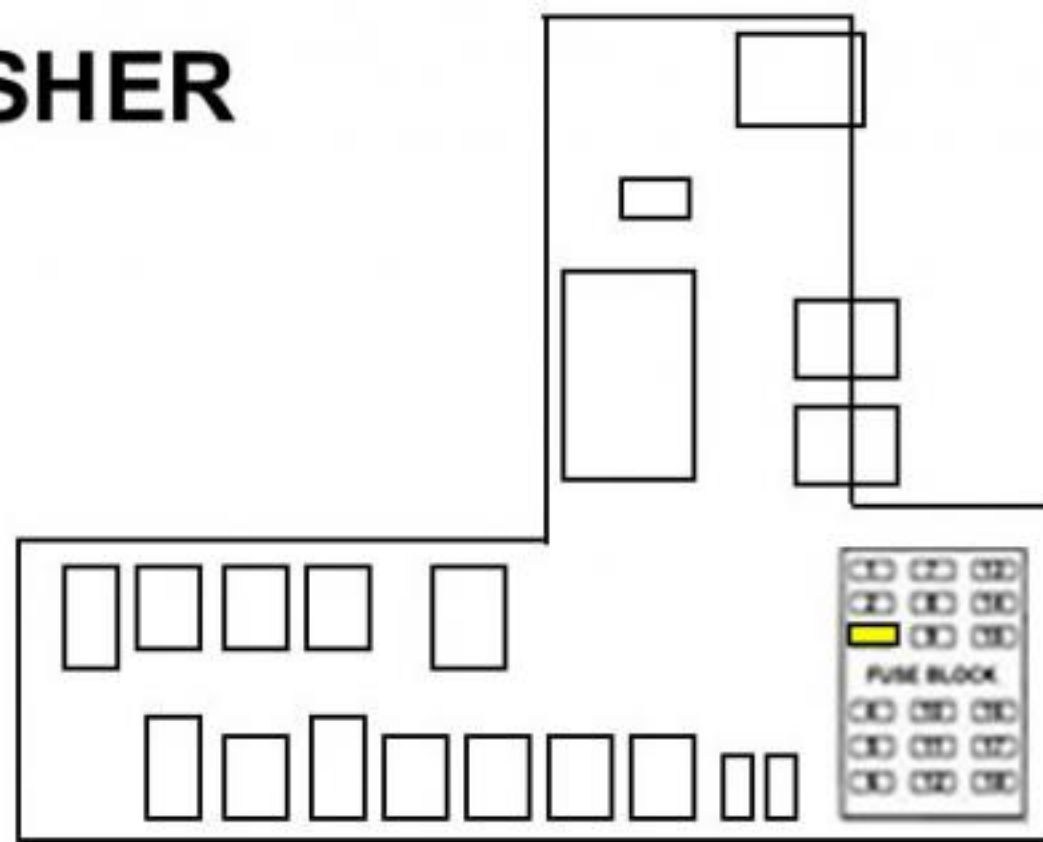
B - BLACK	P - PURPLE	U - BLUE	N - BROWN
G - GREEN	R - RED	W - WHITE	O - ORANGE
K - PINK	S - SLATE	Y - YELLOW	LG - LIGHT GREEN



WINDSHIELD WIPER & WASHER CIRCUIT

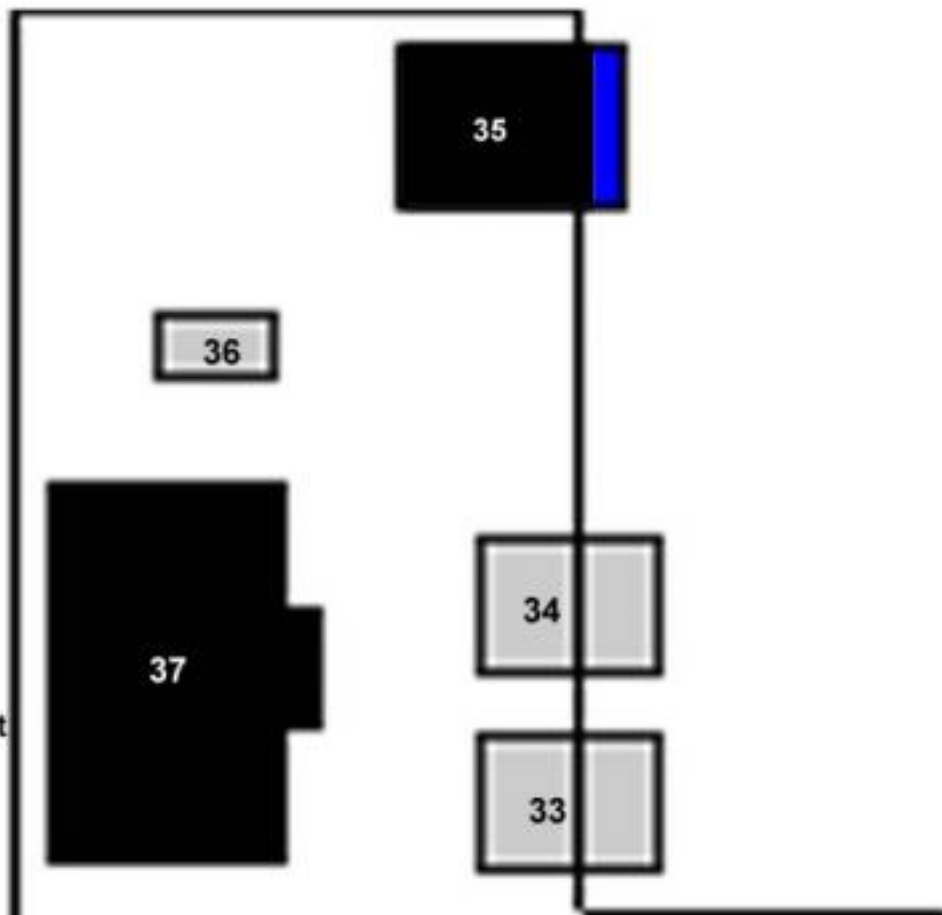
THE HIGHLIGHTED ITEMS IN THE RELAY COMPARTMENT DIAGRAM TO THE RIGHT ARE THE ITEMS OUTLINED IN THIS DIAGRAM.

B - BLACK	P - PURPLE	U - BLUE	N - BROWN
G - GREEN	R - RED	W - WHITE	O - ORANGE
K - PINK	S - SLATE	Y - YELLOW	LG - LIGHT GREEN



FUSES

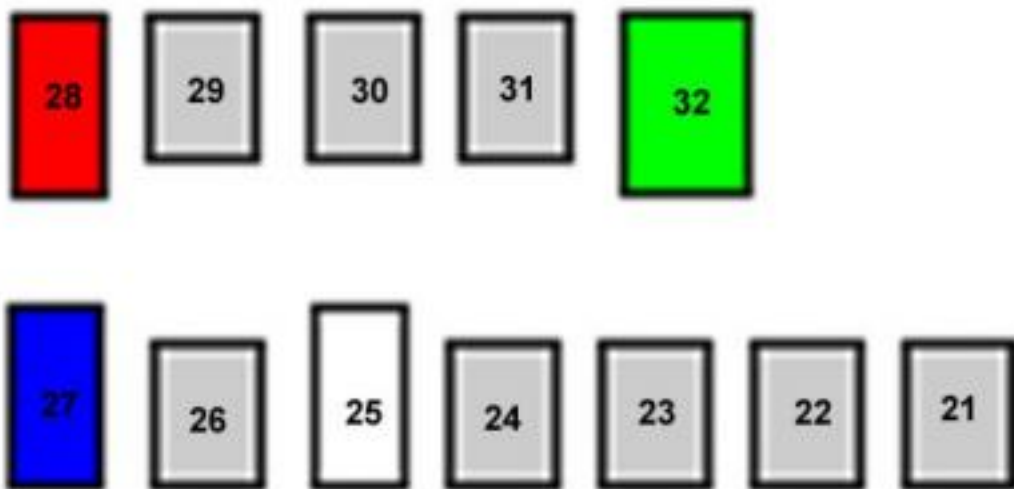
- #1 -RPM relay, distributor, vacuum solenoid, ignition ECU and idle ECU
- #2 -DS tail lamps, side lamps, front parking lamp and license plate lamp
- #3 -Windshield wiper and washer motor
- #4 -Directional indicator and stop light switch
- #5 -All dash instruments and indicators, service interval counter
- #6 -Hazard warning switch, horns and buzzer, logic box
- #7 -Lambda relay, lambda ECU, frequency valve, fuel pump and control pressure regulator
- #8 -PS tail lamp, side lamps, front parking lamp, license plate lamp, cigar lighter lamp, instrument illumination lamps, main light switch lamp and digital clock lamp
- #9 -Heated rear window and electrical mirrors
- #10 -A/C mode switch and door lock warning lamp
- #11 -Radio clock, gear selector lamp, A/C panel lamps and power windows
- #12 -Diagnostic plug, engine compartment lamp, luggage lamp, glove box lamp, door lamps, interior lamps, and interior delay unit
- #13 -Automatic transmission
- #14 -Low beam headlamps
- #15 -High beam headlamps
- #16 -Reverse lamps
- #17 -Cigar lighter and clocks
- #18 -Stop lamps



FUSE AMPERAGE

- = 10 AMP
- = 20 AMP
- = 30 AMP

1	7	13
2	8	14
3	9	15
4	10	16
5	11	17
6	12	18



RELAYS

- | | | |
|-----------------------------------|--------------------------------------|-------------------------------|
| #19 -Blower motor breaker, 30Amp | #26 -Cooling fan relay | #33 -Main relay |
| #20 -Cooling fan breaker, 40Amp | #27 -Fan fail relay | #34 -Accessory relay |
| #21 -Low beam relay | #28 -A/C panel illumination resistor | #35 -RPM relay |
| #22 -High beam relay | #29 -Starter relay | #36 -Door lock breaker, 25Amp |
| #23 -Blower motor 3rd speed relay | #30 -A/C panel illumination relay | #37 -Door lock module |
| #24 -Blower motor 4th speed relay | #31 -Lambda relay | |
| #25 -Interior lamp delay unit | #32 -Rear defrost timer | |