

WESTBRASS

Fine Decorative Plumbing Since 1935



WESTBRASS

Fine Decorative Plumbing Since 1935

01
19

FINISH AND PRICING GROUP CHART

Standard Finishes Usually ships in 3 - 10 days

Price Group I



26
Polished
Chrome

Price Group II

Special Finishes

Usually ships in 3 - 4 weeks
Check Stock List or Call for Availability



01
PVD Polished
Brass



03
Polished
Brass



05
Polished
Nickel



07
Satin Nickel



11
Antique
Copper



12
Oil Rubbed
Bronze



20
Stainless
Steel



50
Powder
Coat White



62
Powder Coat
Flat Black

These sample colors portray our finish color and texture only within the limitations of printing and photography. Further color variations from differences in base material, polishing and plating are also expected. We reserve the right to make changes and deletions in finishes and products without notice.

TABLE OF CONTENTS

Terms & Conditions iv
 Care & Maintenance and Warranty v



KITCHENS

Kitchen Faucets 1
 Disposer Accessories 2 - 3
 Kitchen & Bar Sink Drains 4 - 5
 Disposal Air Switches 6
 Air Gaps 7 - 8
 Pure Water Taps & Accessories 9 - 10
 Hot Water Dispensers 11 - 13
 Soap/Lotion Dispensers 14



BATHROOMS

Stops & Supplies 16 - 17
 Water Closet Supply Kits 18 - 19
 Angle Stop Kits 20 - 23
 Flex Lines 24
 Pedestal Kits 25
 P-Traps 26
 Construction Accessories 27 - 30
 Gas Lines & Valves 31
 Tubular Drain Products 32
 Lavatory Drains 33 - 35
 Exposed Tub Supply Kits 36



SHOWERS

Shower Arms with Flanges 37
 90° Rain Shower Arms 38
 Ceiling Arms 39
 Adjustable Spray Shower Heads 39
 Bathroom Faucets 40
 Remodel Plates 41
 Hand Shower Accessories 42
 Tub Spouts 43 - 44
 Shower Drain Trims 45 - 47



Bath Tub Waste & Overflows

Ball Joint Linear Fact Sheet 48
 Linear Overflow & Fully Finished 49 - 50
 Linear Overflow Low Profile Sch 40 51 - 52
 Patented Deep Soak Overflow 52 - 56
 Ball Joint Overflow Fully Finished 57
 Illusionary Brass Tip-Toe with Ball Joint 58
 Semi-Exposed Bathwaste & Overflows 59
 Illusionary Brass Bath Waste & Overflow 60
 Illusionary Sch. 40 Overflows 61
 Illusionary All Exposed Overflows 62
 Specialty Bath Waste & Overflows 63
 Brass Bath Waste & Overflow 64 - 71
 Poly-Tubular Bath Waste & Overflow 72 - 73
 ABS & PVC Sch. 40 Bath Wastes 74 - 75
 Waste & Overflow Trim Kits 76 - 80
 Patented Deep Soak Kits 81
 Illusionary Plumber's Pack Sch. 40 82
 Sch. 40 Plumber's Pack 83
 Bath Waste Accessories 84
 ABS & PVC Sch. 40 Cable Wastes 85 - 87

Index 88 - 93

TERMS AND CONDITIONS

Pricing

Prices indicated are Manufacturer Suggested Retail Prices.

Due to increasing costs of brass, raw and finishing materials, prices and specifications are subject to change without notice. Westbrass notifies all customers of pricing errors upon purchase order entry. Any pricing disputes must be settled before the product has shipped. All prices are indicated in United States currency and will be invoiced at prices prevailing at the time of order. Price Lists are available by contacting Westbrass.

Terms

Net 30 days. A service charge of 1.5% per month (18% APR) will be charged on all invoices outstanding over 30 days.

Freight

All orders will be shipped prepaid and billed except for COD customers; unless the customer wishes to use third party billing. Shipments are F.O.B. Los Angeles, CA. Full freight is allowed on shipments of \$1200.00 net invoice value, within the continental USA. Full freight is allowed on shipments of \$1,500.000 net invoice value to Hawaii and Alaska. Freight is not allowed on shipments of displays. Shipper reserves the right to ship by method of our choosing.

Minimum Order

Our minimum order is \$50.00 net per order. Charges will be added to orders of less than \$50.00 to bring the order to the minimum billing of not more than \$10.

Liability

Our liability on any claim, including claims of defective design, workmanship or materials is limited to replacement by shipment of items from our plant, refund or a combination thereof as we determine. Buyer agrees irrevocably to the jurisdiction of the California Courts over its person in the event of litigation. Service of process may be made as provided by California Law or shall be considered effective if sent by certified or registered mail, return receipt requested, postage prepaid.

Claims

Please check your order immediately upon receipt. All claims for shortages, overages, incorrect product, billing errors, etc., must be made within **5 business days of receipt of goods.**

Returns

Goods cannot be returned without prior authorization and must have a Returned Materials Authorization Number (RMA #) attached with the product. Items sent back to Westbrass without prior authorization will be rejected and returned at the customer's cost. Returns for non-defective merchandise are subject to a minimum 25% restocking fee. Returns Materials Authorization (RMA) must be requested in writing by fax, email or mail within **30 days of delivery.** All refunds are subject to inspection of the returned merchandise. Credit will not be issued, under any circumstances, until after the item has been received and inspected. Non-defective returns must be received in saleable condition. No returns on special or custom orders. All returns must be made freight prepaid by sender and the sender must assume all responsibility for shipping. Westbrass reserves the right to limit and/or refuse any returns at their discretion.

Damaged or Lost Shipments

Items damaged in transit must be rejected upon delivery and immediately returned to Westbrass in its original box. Westbrass will be responsible for filing claims with the carrier. Damaged or lost shipments must be reported within 72 hours of receipt to the shipper of the product in question.

With the exception of living finishes, all Westbrass decorative finishes are protected by the strongest finish treatments available while maintaining their luxurious appearance. While some finishes are more durable than others, no finish is indestructible. Polished Chrome, Satin Nickel and PVD Polished Brass finishes are the most durable. All other finishes are electroplated; some are then coated to enhance the gloss and durability. "Living" finishes are uncoated, designed to be exposed to the air and other elements, with the intention to age and change in their natural beauty. All of our finishes, plated and living, require some care in use.

TO CLEAN:

Do not allow your product to come into contact with any cleansers fortified with ammonia, bleach, grease - cutters or other surfactant chemicals. Soft Scrub®, Dawn Liquid Soap®, Palmolive® or any other combined cleaners contain certain chemical components that will dissolve and remove the finish's protective coating, and eventually the finish itself. Use only plain warm water and mild soap on a soft cloth or sponge. Avoid using any sponge with a scouring pad to clean your product. It is not necessary to rub hard to remove spots.

TO PROTECT:

An occasional application of Carnauba wax (without cleaners), like that found in Flitz Faucet Wax®, Turtle Wax for Clear Coat Car Finishes® or McGuire's Premium Wax®, will enhance the finish lustre, reduce hard water spots and add an extra layer of protection to your finish.

WARRANTY

Drain and Strainer Finishes:

All sink and tub/shower drains, strainers and other trims have a **1 year warranty**:

(01) PVD Polished Brass	(07) Satin Nickel	(26) Polished Chrome
(03) Polished Brass	(12) Oil Rubbed Bronze	(50) Powder Coat White
(05) Polished Nickel	(20) Stainless Steel	(62) Powder Coat Flat Black
(11) Antique Copper		

Functional Warranty:

The functionality of all products is warranted for a period of **one year**. All warranties are guaranteed to the original purchaser only. Product problems attributable to abuse, misuse, improper installation, hard water, neglected maintenance or accidental damage are not covered by this warranty. Modifying the product in any way voids the warranty. The use of plumber's putty on our products also voids the warranty. Silicone sealing compounds should be used instead. No repairs

or replacements will be made under such circumstances except at customer's expense. Liability under warranties expressed or implied is limited to repair or replacement of defective goods only. In no event will Westbrass be liable for incidental or consequential damages (such as labor charges).

This warranty does not cover labor charges, whether based on breach of express or implied warranty, breach of contract, negligence or any other legal theory.

KITCHENS





Two Handle Hi-Arc Faucet with Side Spray

WAS01-

- 2 handle kitchen faucet with 360 degree swivel spout
- Replaceable washerless valve design opens and closes in 1/4-turn
- ADA compliant handles
- Sleek side-spray design for rinsing vegetables and dishes
- 1/2 in. IPS mounting nipples for hot and cold water inlets
- Exceeds AB 1953 regulations

PCH -26
SST -20
ORB -12

Single Handle Pull Out Spray 3-Hole Faucet

WAS15-

- Single handle kitchen faucet
- Replaceable washerless valve design opens and closes using Peerless parts
- 1/2 in. IPS mounting nipples for hot and cold
- Wand toggles between spray and stream
- Quiet, fiber reinforced pull-out hose
- ADA compliant handle

PCH -26
SST -20
ORB -12



Two Handle Non-Metallic Faucet Less Spray

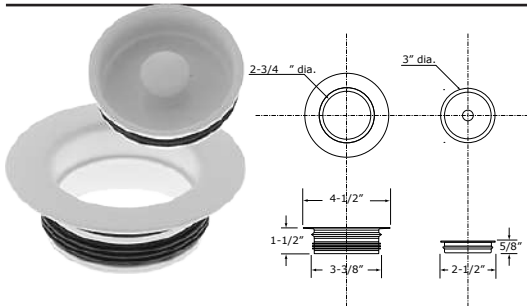
NM2K-26

- 2-acrylic handle kitchen faucet
- Replaceable washerless valve design opens and closes in 1/4-turn
- 1/2 in. IPS mounting nipples for hot and cold
- Exceeds AB 1953 regulations
- 7-47028-54450-1

PCH



DISPOSAL REPLACEMENT COVERS



Universal Replacement Disposal Trim

D2091-

- Universal replacement Styrene disposal flange
- Stopper included
- Pushes into existing disposal flange
- Available in -03 Polished Brass, -07 Satin Nickel, -26 Polished Chrome, -50 White, -54 Black, and -65 Biscuit

ALL FINISHES

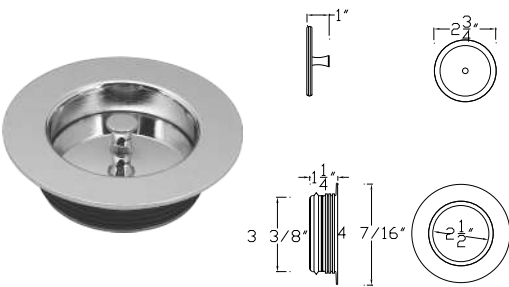


Decorative Brass Disposal Trim

D212-

- Universal replacement disposal flange
- Stopper included
- Pushes into existing disposal flange
- Seals to ring using o-rings
- No plumbing required
- 4-7/16" rim diameter
- Super heavy duty cast brass

26
01, 07, 11,
12, 20, 50



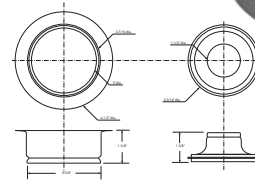
GARBAGE DISPOSAL FLANGES AND STOPPERS

POLISHED BRASS (01 OR 03), POLISHED NICKEL (05), SATIN NICKEL (07), ANTIQUE COPPER (11), OIL RUBBED BRONZE (12), POLISHED CHROME(26), WHITE (50), AND FLAT BLACK (62)

In-Sink-Erator Disposal Flange and Stopper

D2089-

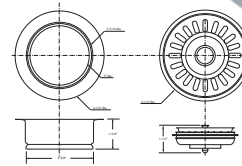
- In-Sink-Erator style disposal trim set 26
- Flange and stopper (D208 & D209) 01, 05, 07, 11, 12, 20, 50, 62
- 1-5/8" deep flange
- Fits most ISE, Emerson, Kenmore, and Grainger waste disposals
- Brass construction



ISE Disposal Flange and Strainer Basket

D2089SEV-

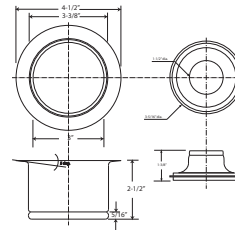
- In-Sink-Erator style disposal trim set 26
- Flange and strainer (D208 & D209S) 01, 05, 07, 12, 20, 50, 62
- 1-5/8" deep flange
- Fits most ISE, Emerson, Kenmore, and Grainger waste disposals
- Push/pull removable stopper strainer



Extra Deep ISE Disposal Flange and Stopper

D2082-

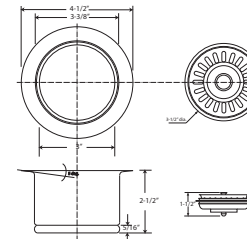
- In-Sink-Erator style extra deep disposal trim set 26
- Flange and stopper (D2081 & D209) 01, 05, 07, 12, 20, 50, 62
- 2-5/8" deep flange
- Fits most ISE, Emerson, Kenmore, and Grainger waste disposals
- Brass construction



Extra Deep ISE Disposal Flange and Strainer

D2082S-

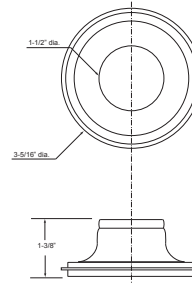
- In-Sink-Erator style extra deep disposal trim set 26
- Flange and strainer (D2081 & D209S) 01, 05, 07, 12, 62
- 2-5/8" deep flange
- Fits most ISE, Emerson, Kenmore & Grainger
- Removable Stopper for easy cleaning



In-Sink-Erator Disposal Stopper

D209-

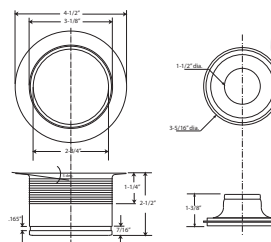
- In-Sink-Erator style disposal topper only 26
- Fits D208, D2081, D2082 and D2089 styles 01, 05, 07, 11, 12, 20, 50, 62
- Fits most ISE, Emerson, Kenmore, and Grainger waste disposals
- Brass construction



EZ-Mount Disposal Flange and Stopper

D2105-

- Waste King style disposal trim set 26
- Flange and stopper (D2103 & D2104) 07, 11, 12, 20, 62
- Fits sinks up to 1" thick
- Fits most continuous feed disposals from Waste King, G.E., Eliminator, Fridgidair, Tappan, Whirlaway, Joneca Commodore, Titan, Waste Made, and Westinghouse disposers.



DISPOSAL TRIM AND SINK STRAINERS

POLISHED BRASS (01 OR 03), POLISHED NICKEL (05), SATIN NICKEL (07), ANTIQUE COPPER (11), OIL RUBBED BRONZE (12), POLISHED CHROME(26), WHITE (50), AND FLAT BLACK (62)



Two Pack D213 Basket Strainers

D2135-

- Large wing nut style kitchen sink basket and strainer 26
- Brass nuts and washers included 01, 05, 07, 11, 12, 20, 50, 62
- Fits 3-1/2" opening - 4-3/8" rim diameter
- 2-9/16" tall
- Solid brass construction
- Turn wing nut to restrict draining



Two Pack D214 Basket Strainers

D2145-

- Large post style kitchen sink basket and strainer 26
- Brass nuts and washers included 01, 05, 07, 11, 12, 20, 50, 62
- Fits 3-1/2" opening - 4-3/8" rim diameter
- 2-9/16" tall
- Solid brass construction
- Turn post and push to restrict draining



Two Pack D213 Basket and D2089 Disposer

D2155-

- Large wing nut style kitchen sink basket 26
- Brass nuts and washers included 01, 05, 07, 11, 12, 20, 50, 62
- Fits 3-1/2" opening - 4-3/8" rim diameter
- Turn wing nut to restrict draining
- In-Sink-Erator style disposal trim set
- Fits most ISE, Emerson, Kenmore, and Grainger waste disposals



Two Pack D214 Basket and D2089 Disposer

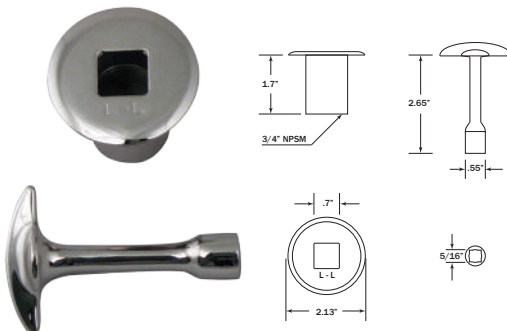
D2165-

- Large wing nut style kitchen sink basket 26
- Brass nuts and washers included 01, 05, 07, 11, 12, 20, 50, 62
- Fits 3-1/2" opening - 4-3/8" rim diameter
- Turn post and push to restrict draining
- In-Sink-Erator style disposal trim set
- Fits most ISE, Emerson, Kenmore, and Grainger waste disposals

Log Lighter Trim Kit

R500-

- Log lighter key and flange 26
- Arrowhead brass style 01, 05, 07, 11, 12, 20, 50, 62
- 5/16" Key port
- Fits 3/4" NPSM Valves



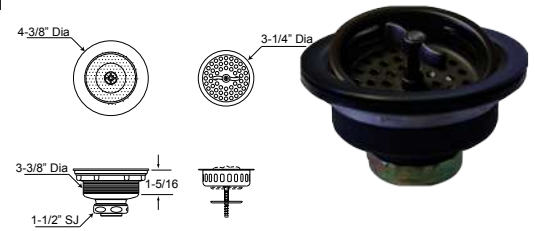
KITCHEN AND BAR SINK STRAINERS

POLISHED BRASS (01 OR 03), POLISHED NICKEL (05), SATIN NICKEL (07), ANTIQUE COPPER (11), OIL RUBBED BRONZE (12), POLISHED CHROME(26), WHITE (50), AND FLAT BLACK (62)

Wing Nut Basket Strainer

D213-

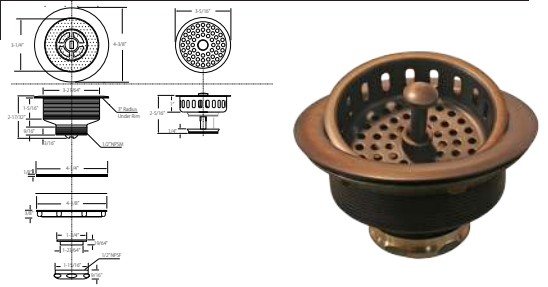
- Large wing nut style kitchen sink strainer 26
- Brass nuts and washers included 01, 05, 07,
- Fits 3-1/2" opening - 4-3/8" rim diameter 11, 12, 20,
- 2-9/16" tall 50, 62
- Solid brass construction
- Turn wing nut to restrict draining



Post Basket Strainer

D214-

- Large post style kitchen sink basket strainer 26
- Brass nuts and washers included 01, 05, 07,
- Fits 3-1/2" opening - 4-3/8" rim diameter 11, 12, 20,
- 2-9/16" tall 50, 62
- Solid brass construction
- Turn post and push to restrict draining



Plastic Basket Strainer

D2143P-

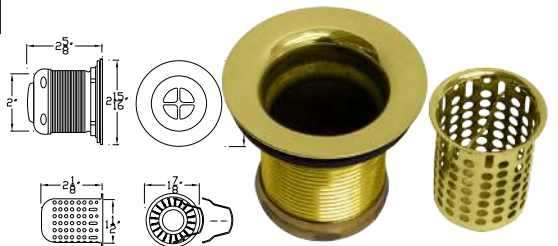
- Large polypropylene post style kitchen sink basket and strainer All
- Fits 3-1/2" opening - 4-3/8" rim diameter
- Available in -26 Polished Chrome, -03 Polished Brass, -07 Satin Nickel, -50 White, -51 Almond, and -54 Black, and -65 Biscuit



Junior Basket Strainer

D218-

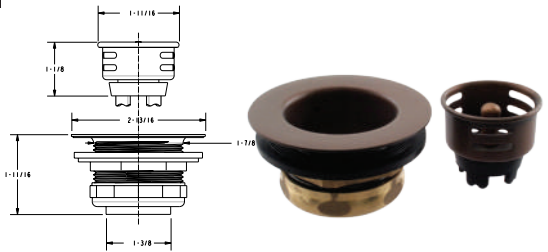
- Junior basket strainer for bar sink 26
- Brass basket, nuts and washers included 01, 05, 07,
- Fits 2-1/4" opening - 2-15/16" rim diameter 11, 12, 62
- 2-5/8" tall
- Solid brass



Midget Duo Post Strainer

D220-

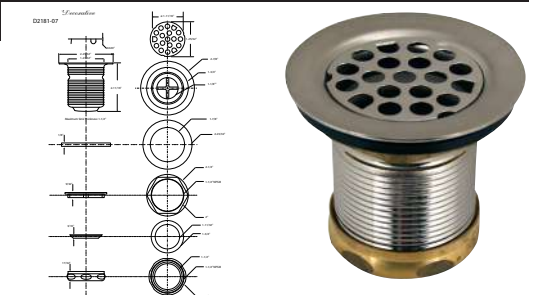
- Midget duo basket strainer for bar sink 26
- Post style basket, nuts and washers included 03, 05, 07,
- Fits 2-1/4" opening 11, 12, 50,
- 2-7/8" rim diameter 62
- 1-3/8" tall
- Solid brass



Grid Style Junior Basket Strainer

D2181-

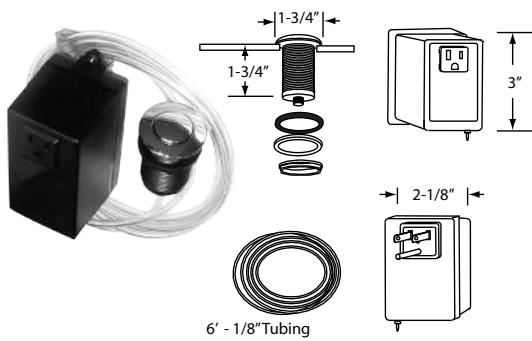
- Junior grid strainer for bar sink 26
- Brass snap in grid 01, 05, 07,
- Fits 2-1/4" opening 12, 20, 50,
- 2-15/16" rim diameter 62
- 2-5/8" tall
- Solid brass



DISPOSAL AIR SWITCHES

WASTEMASTER™
by WESTBRASS

POLISHED BRASS (01 OR 03), POLISHED NICKEL (05), SATIN NICKEL (07), ANTIQUE COPPER (11), OIL RUBBED BRONZE (12), POLISHED CHROME(26), WHITE (50), AND FLAT BLACK (62)

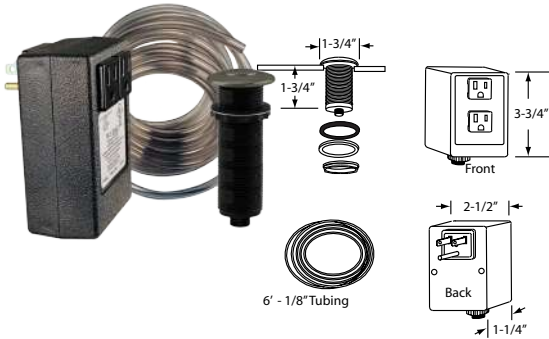


Air Switch and Single Outlet Control Box

ASB-

- Sink top disposal switch
- Single outlet remote on/off switch
- Heavy duty button and flange
- No-shock control box and 6 foot hose
- Improves safe disposal operation
- Eliminates shock hazard

26
05, 07, 12,
20

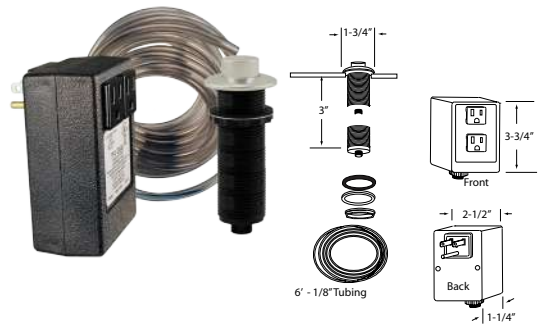


Air Switch and Dual Outlet Control Box

ASB-2B3-

- Sink top disposal switch
- Dual outlet remote on/off switch
- Heavy duty button and flange
- Control box toggles between two outlets
- Improves safe disposal operation
- Eliminates shock hazard

26
01, 05, 07,
11, 12, 20,
50, 62

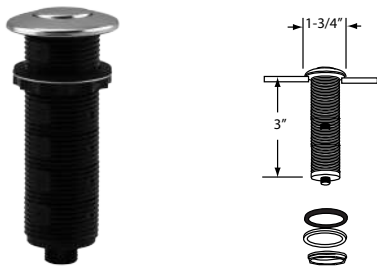


Raised Button Air Switch and Dual Outlet Box

ASB-2RB3-

- Sink top disposal switch
- Dual outlet remote on/off switch
- Heavy duty button and flange
- Control box toggles between two outlets
- Eliminates shock hazard for safe disposal operation
- Raised button makes operation easier

26
01, 05, 07,
11, 12, 20,
50, 62

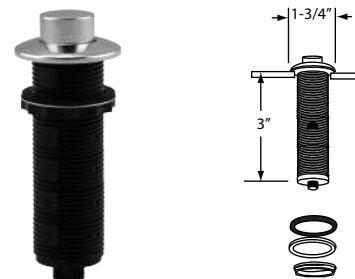


Replacement Air Switch Trim

ASB-B3-

- Garbage disposal air bellows and trim
- Metal button and flange
- 3" shaft fits 2-1/2" thick decks
- Replaces most manufacturers including: Franke, In-Sink-Erator, G.E., and Waste King

26
01, 05, 07,
11, 12, 20,
50, 62



Raised Button Replacement Air Switch Trim

ASB-RB3-

- Garbage disposal air bellows and trim
- Heavy duty button and flange
- Raised button makes operation easier
- 3" shaft fits 2-1/2" thick decks
- Replaces most manufacturers including: Franke, In-Sink-Erator, G.E., and Waste King

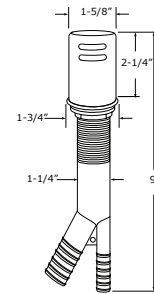
26
01, 05, 07,
11, 12, 20,
50, 62

POLISHED BRASS (01 OR 03), POLISHED NICKEL (05), SATIN NICKEL (07), ANTIQUE COPPER (11), OIL RUBBED BRONZE (12), POLISHED CHROME(26), WHITE (50), AND FLAT BLACK (62)

Air Gap Kit with Standard Brass Cap

D200-

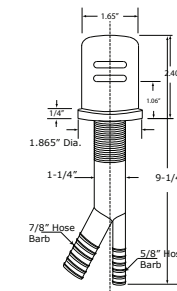
- Standard air gap cap with plastic body included 26
- 1-5/8" cap diameter 03, 05, 07,
- 2-1/4" cap height 11, 12, 20,
- 9" overall height with plastic body 50, 62
- Stamped brass cap with plastic body



Air Gap Kit with Skirted Brass Cap

D200-1-

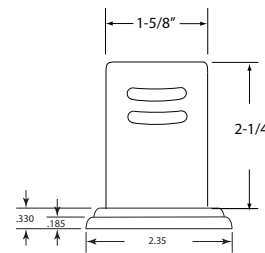
- Heavy duty air gap cap with plastic body included 26
- 1-3/4" cap diameter and 2-3/4" cap height 03, 05, 07,
- 9" overall height with plastic body 11, 12, 20,
- Cap covers entire air gap body and installs flush to sink 50, 62
- Cap covers entire air gap body and installs flush to sink
- Hides nut on sink for a cleaner finish



Air Gap Kit with Decorative Brass Skirt

D200F-1-

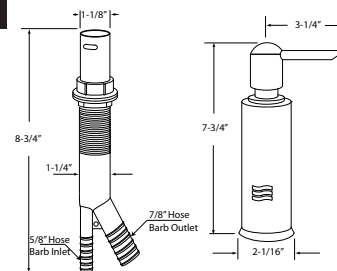
- 2-1/4" base diameter 26
- 2-3/4" cap height 05, 07, 11,
- Fits all standard air gap bodies 12, 20, 50
- Cap covers entire air gap body to install flush to sink
- Hides plastic nut on sink



Air Gap Kit with Soap/Lotion Dispenser

D2170P-

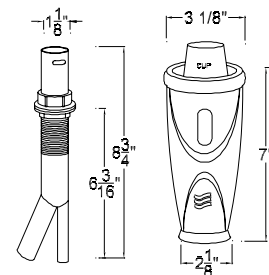
- Combination air gap/soap dispenser PCH
- Corrosion resistant plastic SNI
- Snap on top
- 7-3/4" overall height
- 3-1/4" Spout projection
- Plastic cap with plastic body



Air Gap Kit with Cup Dispenser

D201CD-

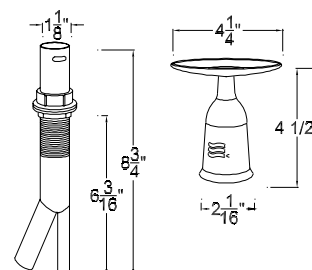
- Air gap combination kit with cup dispenser PCH
- All plastic snap-on body dispenser with metal spring SNI
- Plastic air gap body included
- Available in Polished Chrome and Satin Nickel



Air Gap Kit with Utility Tray

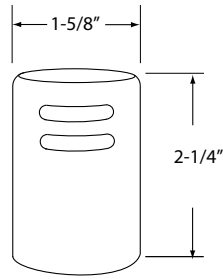
D201ST-

- Air gap combination kit with utility tray PCH
- Perfect for holding rings, soap or sponge SNI
- Corrosion resistant, all plastic snap-on tray
- Plastic air gap body included
- Available in Polished Chrome and Satin Nickel



AIR GAP CAPS

POLISHED BRASS (01 OR 03), POLISHED NICKEL (05), SATIN NICKEL (07), ANTIQUE COPPER (11), OIL RUBBED BRONZE (12), POLISHED CHROME(26), WHITE (50), AND FLAT BLACK (62)

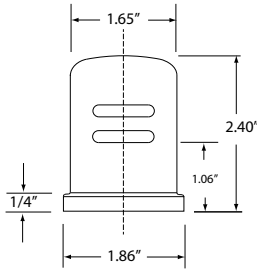


Standard Brass Air Gap Cap

D201-

- Standard air gap cap only
- 1-5/8" cap diameter
- 2-1/4" cap height
- Stamped brass

26
03, 05, 07,
11, 12, 20,
50, 62

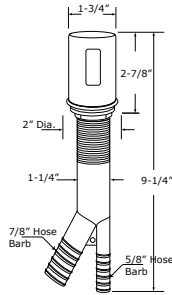


Skirted Brass Air Gap Cap

D201-1-

- 1-3/4" cap diameter
- 2-3/4" cap height
- Fits all standard air gap bodies
- Cap covers entire air gap body to install flush to sink
- Hides nut on sink

26
03, 05, 07,
11, 12, 20,
50, 62

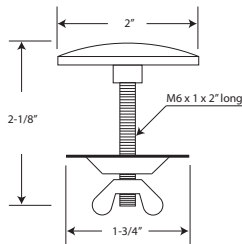


Plastic Air Gap Kit with Cap

D200P-

- Plastic air gap cap with plastic body included
- 1-3/4" cap diameter and 2-3/4" cap height
- 9" overall height with plastic body
- Chrome, White and Almond only

CP
AL
WH



Sink Hole Cover

D202-

- Heavy brass top disk
- Solid 2" threaded rod with wing nut
- Reversible washer fits thin or thick sinks
- 2" cover diameter
- Covers unused sink holes
- Low profile easier to clean than deck plates

26
03, 05, 07,
11, 12, 20,
50, 62



Replacement Air Gap Soap/Lotion Dispenser

D2170P-NAG-

- Air gap/soap dispenser
- Corrosion resistant plastic
- Snap on top
- 7-3/4" overall height
- 3-1/4" Spout projection
- Plastic cap with plastic body

26
07



Replacement Air Gap Utility Tray Cover

D201ST-NAG-

- Combination kit with utility tray
- Perfect for holding rings, soap or sponge
- Corrosion resistant, all plastic snap-on tray
- Covers air gap body
- Available in Polished Chrome and Satin Nickel

26
07

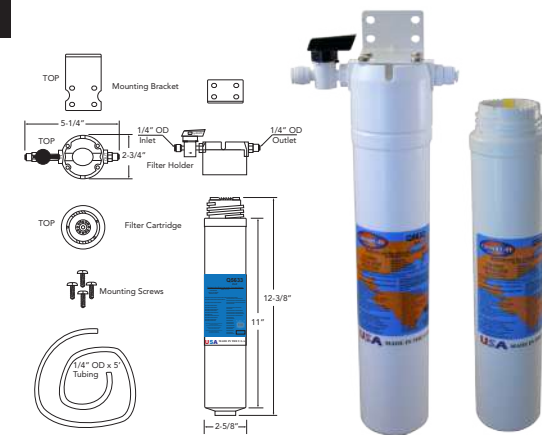
WATER DISPENSER ACCESSORIES

POLISHED BRASS (01 OR 03), POLISHED NICKEL (05), SATIN NICKEL (07), ANTIQUE COPPER (11), OIL RUBBED BRONZE (12), POLISHED CHROME(26), WHITE (50), AND FLAT BLACK (62)

Pure Water Filter

FRO-100

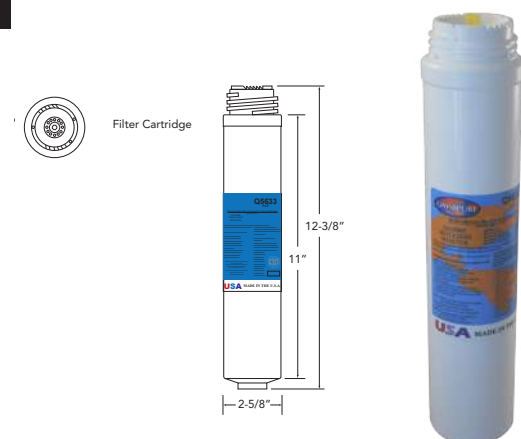
- Water conserving pure water filter
- 12" single stage carbon block element
- 1/4" compression tube inlet & outlet
- Produced from NSF certified components
- Replacement cartridge included
- Creates cleaner, fresher tasting water



Replacement Filter for F-100

FRO-1R

- 12" replacement filter for FRO-100
- Quick and easy mounting system
- Operating pressure up to 120 psi
- 1/2 GPM flow rate
- 1500 gallon capacity
- Creates cleaner, fresher tasting water



Quick Heating Tank - Enameled - Shock Block

QHT-1FPV

- Quick & Hot instant hot water tank
- With Shock Block valve
- 5/8 gallon stainless steel tank
- 1300 Watts - delivers up to 100 cups per hour
- Plugs into standard (115V) wall outlet
- 140° - 190° fingertip temperature adjustable
- Required for all hot or hot/cold water dispensers



Quick Heating Tank - Stainless - Shock Block

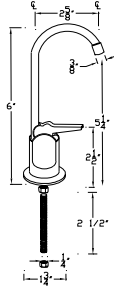
QHT-3FPV

- Quick & Hot instant hot water tank
- With Shock Block valve
- 5/8 gallon stainless steel tank
- 1300 Watts - delivers up to 100 cups per hour
- Plugs into standard (115V) wall outlet
- 140° - 190° fingertip temperature adjustable
- Required for all hot or hot/cold water dispensers
- Classic Stainless Steel casing



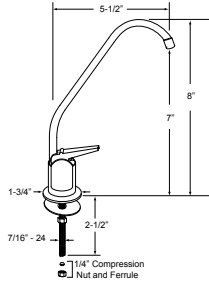
PURE WATER TAPS

POLISHED BRASS (01 OR 03), POLISHED NICKEL (05), SATIN NICKEL (07), ANTIQUE COPPER (11), OIL RUBBED BRONZE (12), POLISHED CHROME(26), WHITE (50), AND FLAT BLACK (62)



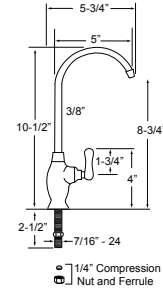
6" Touch-Flo Pure Water Dispenser D203-NL-

- Touch-Flo style pure water faucet 26
- 2-5/8" spout projection, 6-1/2" overall height 01, 05, 07,
- 1/4" compression tube inlet 11, 12, 20,
- Single black plastic handle 50, 62
- Spring piston handle assembly
- Solid brass construction



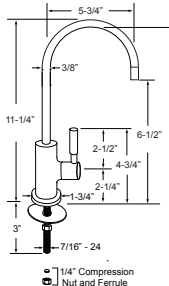
45° Touch-Flo Pure Water Dispenser D2031-NL-

- Touch-Flo style pure water faucet 26
- 5-1/2" 45-degree extended spout projection 01, 05, 07,
- 8" overall height 11, 12, 50,
- 1/4" compression tube inlet 62
- Spring piston handle assembly
- Solid brass construction



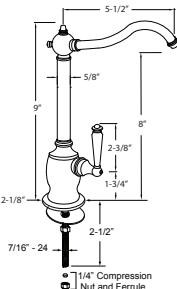
Classic Lever Handle Cold Water Dispenser D2033-NL-

- Ceramic disc pure water faucet 26
- 10" classic lever handle design 01, 05, 07,
- 1/4" compression tube inlet 11, 12, 50,
- 1/4-turn ceramic disc cartridge 62
- Cold water only, cannot use hot water tank
- Solid brass construction



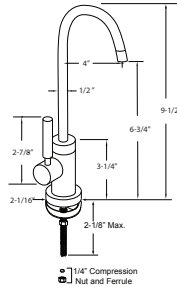
Contemporary Cold Water Dispenser D2036-NL-

- 5" spout projection, 11-1/4" overall height 26
- Single lever handle, cold water faucet only 01, 05, 07,
- 1/4" compression tube inlet 11, 12, 20,
- 1/4-turn ceramic disc cartridge 62
- Cannot be installed with hot water tank
- Solid brass construction



Victorian Cold Water Dispenser D2035-NL-

- 5-1/2" spout projection, 9" overall height 26
- Single lever handle, cold water faucet only 05, 07, 12
- 1/4" compression tube inlet
- 1/4-turn ceramic disc cartridge
- Cannot be installed with hot water tank
- Solid brass construction



Contemporary Cold Water Dispenser D2037-NL-

- 5" spout projection, 10" overall height 26
- Single lever handle, cold water faucet only 07
- 1/4" compression tube inlet
- 1/4-turn ceramic disc cartridge
- Cannot be installed with hot water tank
- Solid brass construction



INSTANT HOT WATER DISPENSER KITS

POLISHED BRASS (01 OR 03), POLISHED NICKEL (05), SATIN NICKEL (07), ANTIQUE COPPER (11), OIL RUBBED BRONZE (12), POLISHED CHROME(26), WHITE (50), AND FLAT BLACK (62)

Calorah Hot Water Dispenser Kit

D261HFB-

- Single handle hot water dispenser & tank 26
- With Shock Block valve 07, 11, 12
- Traditional styling
- Auto-off handle function
- Santoprene hot water tube
- 1/4" copper supply lines
- 5/8 gallon tank with 60 cups/hour delivery



Docalorah Hot/Cold Water Dispenser Kit

D262HFB-

- Two handle hot and cold water dispenser & tank 26
- With Shock Block valve 07, 11, 12
- Traditional styling
- Auto-off hot and locking cold handles
- Santoprene hot water tube
- 1/4" copper supply lines
- 5/8 gallon tank with 60 cups/hour delivery



Velosah Hot Water Dispenser Kit

D271HFB-

- Single handle hot water dispenser & tank 26
- With Shock Block valve 07
- Contemporary styling
- Auto-off handle function
- Santoprene hot water tube
- 1/4" copper supply lines
- 5/8 gallon tank with 60 cups/hour delivery



Develosah Hot/Cold Water Dispenser Kit

D272HFB-

- Two handle hot and cold water dispenser & tank 26
- With Shock Block valve 07, 11, 12
- Contemporary styling
- Auto-off hot and locking cold handles
- Santoprene hot water tube
- 1/4" copper supply lines
- 5/8 gallon tank with 60 cups/hour delivery



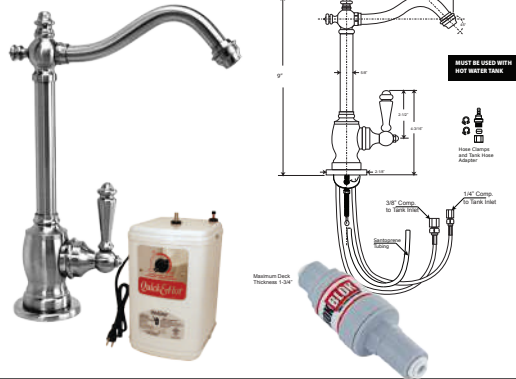
PREMIUM WATER TAP COLLECTIONS

POLISHED BRASS (01 OR 03), POLISHED NICKEL (05), SATIN NICKEL (07), ANTIQUE COPPER (11), OIL RUBBED BRONZE (12), POLISHED CHROME(26), WHITE (50), AND FLAT BLACK (62)

Victorian Hot Water Dispenser Kit

D204HFP-

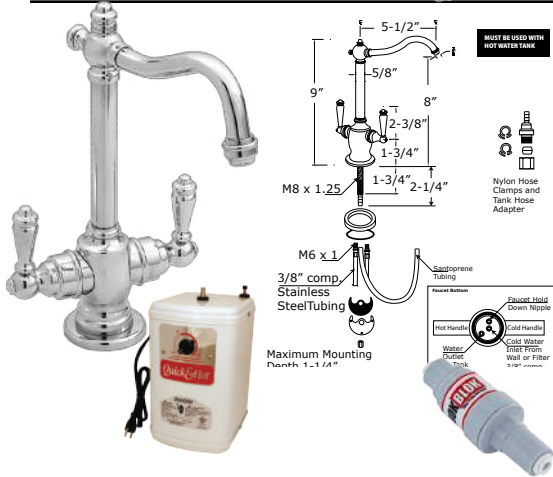
- 5-1/2" spout projection, 9-1/4" overall height 26
- With Shock Block valve 05, 07, 12
- Single lever handle, hot water faucet
- 1-3/8" hole size
- 1/4-turn ceramic disc cartridge
- Includes QHT-1 hot water tank
- Solid brass faucet with stainless steel tank



Victorian Hot/Cold Water Dispenser Kit

D205HFP-

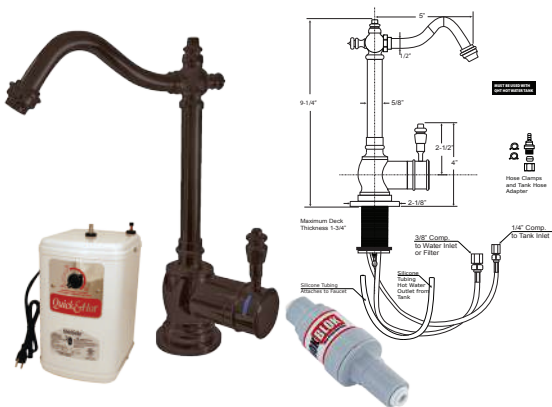
- 5-1/2" spout projection, 9-1/4" overall height 26
- With Shock Block valve 05, 07, 12
- Dual lever handle, hot & cold water faucet
- 1-3/8" hole size
- 1/4-turn ceramic disc cartridges
- Includes QHT-1 hot water tank
- IWC-1 chiller is optional
- Solid brass faucet with stainless steel tank



Victorian Single Handle Hot/Cold Kit

D207HFP-

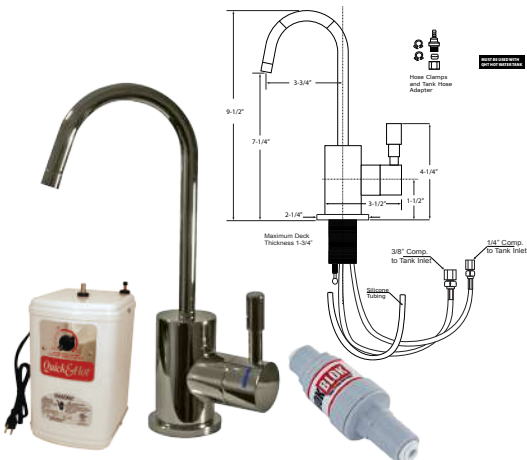
- 5" spout projection, 9-1/4" overall height 26
- With Shock Block valve 05, 07, 12
- Single lever handle, hot & cold water faucet
- 1-3/8" hole size, 1-3/4" maximum deck thickness
- Ceramic disc cartridge
- Locking mechanism for instant hot water
- Includes QHT-1 hot water tank
- IWC-1 chiller is optional
- Solid brass faucet with stainless steel tank



Contemporary Single Handle Hot/Cold Kit

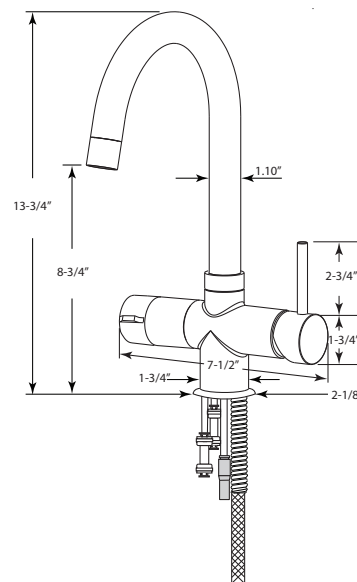
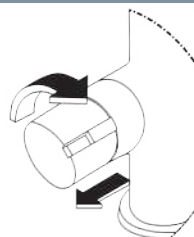
D2071HFP-

- 5-1/2" spout projection, 16" overall height 26
- With Shock Block valve 05, 07, 12
- Single lever handle, hot & cold water faucet
- 1-3/8" hole size
- Ceramic disc cartridge
- Includes QHT-1 hot water tank
- IWC-1 chiller or FRO-1 Filter is optional
- Solid brass faucet with stainless steel tank





HOT WATER HANDLE OPERATION



Contemporary Hot/Cold Water Faucet Kit

D282HFP-26

- 3-1/4" spout projection, 10-5/8" overall height
- ADA approved Lever handle controls hot and cold, house water flow
- 1-3/8" hole size
- Lever operated instant hot switch, prevents tender hands from inadvertent scalding
- Includes QHT-1 hot water tank with Shock Block valve
- Swivel spout for easy access to pots and pans
- Solid brass faucet with stainless steel tank
- Optional extra: FRO-100 for filtration requirements

26



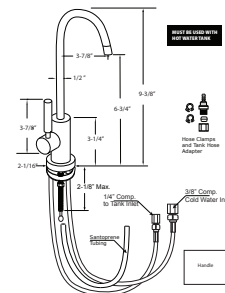
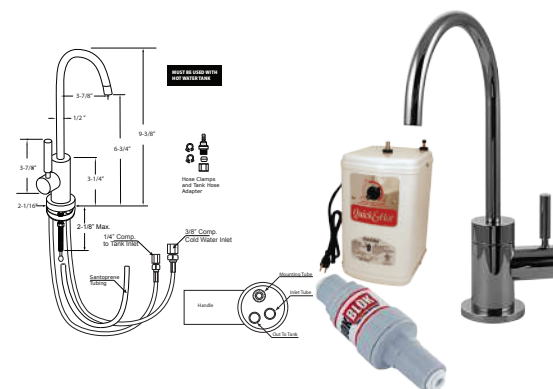
Contemporary Hot Water Dispenser Kit

D2041HFP-

- 5" spout projection, 10-3/4" overall height
- With Shock Block valve
- Single lever handle
- 1-3/8" hole size
- 1/4-turn ceramic disc cartridge
- Includes QHT-1 hot water tank
- Solid brass faucet with stainless steel tank

26

05, 07, 12



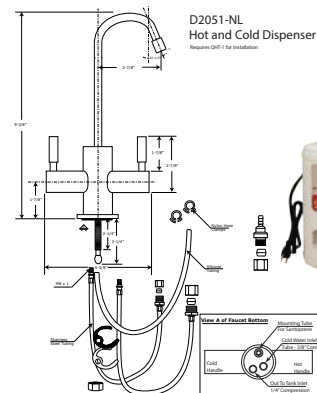
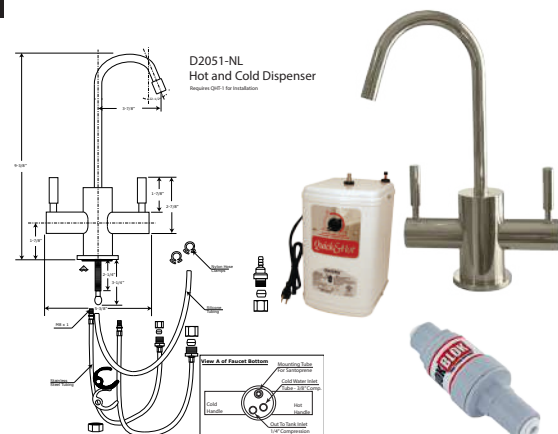
Contemporary Hot/Cold Water Dispenser Kit

D2051HFP-

- 3-1/4" spout projection, 10-5/8" overall height
- With Shock Block valve
- Dual lever handles
- 1-3/8" hole size
- 1/4-turn ceramic disc cartridges
- Includes QHT-1 hot water tank
- IWC-1 chiller is optional
- Solid brass faucet with stainless steel tank

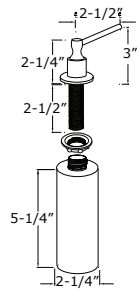
26

05, 07, 12



SOAP/LOTION DISPENSERS

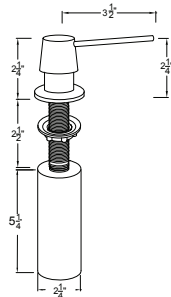
POLISHED BRASS (01 OR 03), POLISHED NICKEL (05), SATIN NICKEL (07), ANTIQUE COPPER (11), OIL RUBBED BRONZE (12), POLISHED CHROME(26), WHITE (50), AND FLAT BLACK (62)



Standard Soap/Lotion Dispenser

D217-

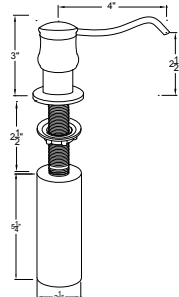
- Standard style soap and lotion dispenser 26
- 3" dispenser height 01, 05, 07,
- 2-1/2" center-to-center spout 11, 12, 50,
- 1-3/8" sink hole size 62
- 12 oz. plastic bottle included
- Solid brass head & body with plastic pump



Heavy Duty Soap/Lotion Dispenser

D2171-

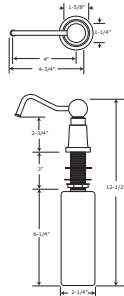
- Heavy duty style soap and lotion dispenser 26
- 2-1/4" dispenser height 07, 12
- 3-1/2" center-to-center spout
- 1-3/8" sink hole size
- 12 oz. plastic bottle included
- Solid brass head & body with plastic pump



Dynasty Soap/Lotion Dispenser

D2172-

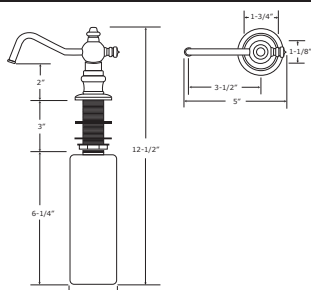
- Dynasty style soap and lotion dispenser 26
- 3" dispenser height 07, 12, 50
- 4" center-to-center spout
- 1-3/8" sink hole size
- 12 oz. plastic bottle included
- Solid brass head & body with plastic pump



Country Soap/Lotion Dispenser

D2175-

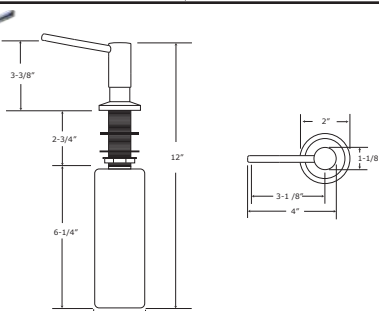
- Ball head with curved spout 26
- 3-1/2" dispenser height 05, 07, 12
- 4" center-to-center spout
- 1-3/8" sink hole size, fits thick countertops
- 12 oz. plastic bottle included
- Solid brass head & body with plastic pump



Victorian Soap/Lotion Dispenser

D2176-

- Decorative finial style head 26
- 3-1/4" dispenser height 01, 05, 07,
- 3-1/2" center-to-center spout 12
- 1-3/8" sink hole size
- 12 oz. plastic bottle included
- Solid brass head & body with plastic pump



Contemporary Soap/Lotion Dispenser

D2178-

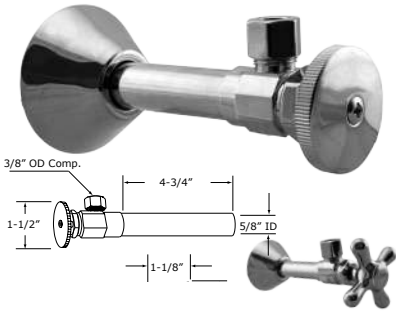
- Heavy duty soap and lotion dispenser 26
- 3-3/8" dispenser height 05, 07, 12
- 2-3/4" center-to-center spout
- 1-3/8" sink hole size
- 12 oz. plastic bottle included
- Solid brass head & body with plastic pump

BATHROOMS



STOPS & SUPPLIES

POLISHED BRASS (01 OR 03), POLISHED NICKEL (05), SATIN NICKEL (07), ANTIQUE COPPER (11), OIL RUBBED BRONZE (12), POLISHED CHROME(26), WHITE (50), AND FLAT BLACK (62)

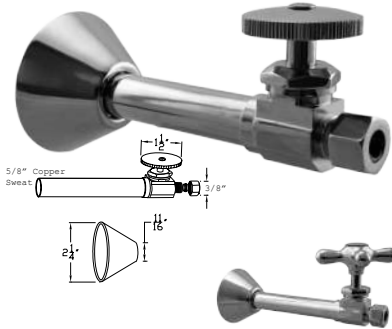


Angle Stop, 1/2" Copper Sweat

D1112-

- Angle stop with 5" copper extension 26
- 1/2" nominal copper sweat inlet 01, 05, 07,
- 3/8" OD compression outlet 08, 12
- 11/16" ID bell flange (D12912) included
- New England style

D1112X- (Cross Handle)



Straight Stop, 1/2" Copper Sweat

D1114-

- Straight stop with 5" copper extension 26
- 1/2" nominal copper sweat inlet 01, 05, 07,
- 3/8" OD compression outlet 08, 12
- 11/16" ID bell flange (D12912) included
- New England style

D1114X- (Cross Handle)

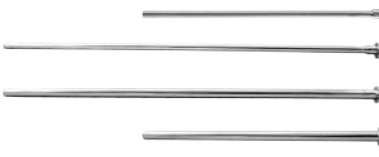


1/2" IPS Pipe Nipples

-26 Chrome

01, 05, 07, 11, 12, 50, 62

- D12104 1/2" x 4" IPS pipe nipple
- D12106 1/2" x 6" IPS pipe nipple
- D12108 1/2" x 8" IPS pipe nipple
- D12112 1/2" x 12" IPS pipe nipple
- D12119 1/2" x 19" IPS pipe nipple
- D12124 1/2" x 24" IPS pipe nipple
- D12136 1/2" x 36" IPS pipe nipple
- D12148 1/2" x 48" IPS pipe nipple



Flat Head Toilet Supply Risers

-26 Chrome

03, 05, 07, 11, 12, 50, 62

- D123 3/8" x 12" Supply Tube
- D124 3/8" x 20" Supply Tube
- D125 1/2" x 12" Supply Tube
- D126 1/2" x 20" Supply Tube



Bullnose Faucet Supply Risers

-26 Chrome

03, 05, 07, 11, 12, 50, 62

- D119 3/8" x 12" Supply Tube
- D120 3/8" x 20" Supply Tube
- D121 1/2" x 12" Supply Tube
- D122 1/2" x 20" Supply Tube



Corrugated Faucet Supply Risers

-26 Chrome

03, 05, 07, 11, 12

- D112 3/8" x 9" Supply Tube
- D113 3/8" x 12" Supply Tube
- D1131 3/8" x 15" Supply Tube
- D114 3/8" x 20" Supply Tube
- D115 1/2" x 09" Supply Tube
- D116 1/2" x 12" Supply Tube
- D117 1/2" x 15" Supply Tube
- D118 1/2" x 20" Supply Tube

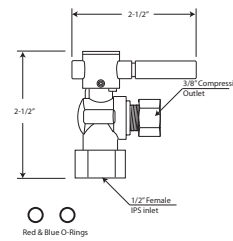
Includes 1/2" Faucet Cone, 1/2" Thread-on and 7/8 Toilet Ballcock Washer

POLISHED BRASS (01 OR 03), POLISHED NICKEL (05), SATIN NICKEL (07), ANTIQUE COPPER (11), OIL RUBBED BRONZE (12), POLISHED CHROME(26), WHITE (50), AND FLAT BLACK (62)

1/4-Turn Angle Stop, 1/2" IPS - Lever Handle

D103BL-

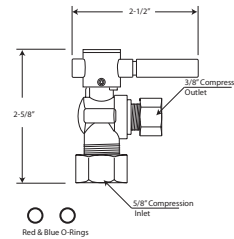
- 1/4-turn ball valve angle stop 26
- 1/2" IPS inlet 07, 12
- 3/8" OD compression outlet
- Lever handle
- Lead free brass construction



1/4-Turn Angle Stop, 5/8" OD - Lever Handle

D105BL-

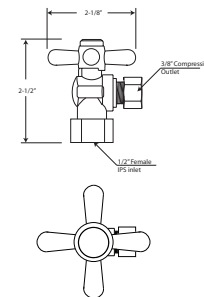
- 1/4-turn ball valve angle stop 26
- 1/2" copper pipe compression (5/8" OD) inlet 07, 12
- 3/8" OD compression outlet
- Lever handle
- Lead free brass construction



1/4-Turn Angle Stop, 1/2" IPS - Cross Handle

D103BX-

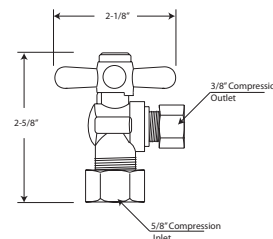
- 1/4-turn ball valve angle stop 26
- 1/2" IPS inlet 07, 12
- 3/8" OD compression outlet
- Cross handle
- Lead free brass construction



1/4-Turn Angle Stop, 5/8" OD Inlet - Cross Handle

D105BX-

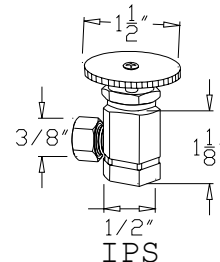
- 1/4-turn ball valve angle stop 26
- 1/2" copper pipe compression (5/8" OD) inlet 07, 12
- 3/8" OD compression outlet
- Cross handle
- Lead free brass construction



Angle Stop, 1/2" Nom. Copper - Round Handle

D103-

- Angle stop 26
- 1/2" IPS pipe inlet 03, 05, 07,
- 3/8" OD compression outlet 11, 12, 62
- Round Handle

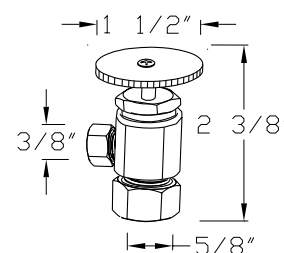


D103X- (Cross Handle)

Angle Stop, 1/2" Nom. Copper - Round Handle

D105-

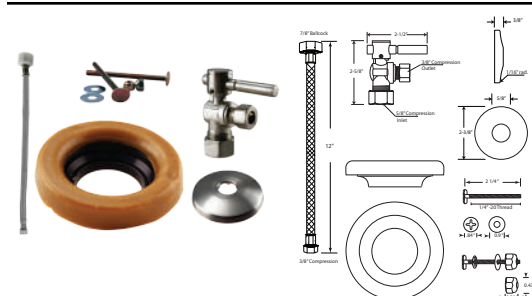
- Angle stop 26
- 1/2" nominal compression inlet (5/8" OD) 01, 03, 05,
- 3/8" OD compression outlet 07, 11, 12
- Round Handle



D105X- (Cross Handle)

LEVER HANDLE 1/4 - TURN ANGLE STOP KITS

POLISHED BRASS (01 OR 03), POLISHED NICKEL (05), SATIN NICKEL (07), ANTIQUE COPPER (11), OIL RUBBED BRONZE (12), POLISHED CHROME(26), WHITE (50), AND FLAT BLACK (62)



Lever Handle Ball Valve Toilet Kit & Wax Ring

D1612TBL-

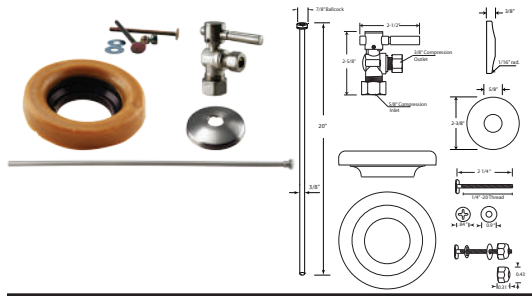
- 3/8" comp. x 7/8" ballcock x 12" stainless steel braided flex line 26
- 1/2" nom. comp. x 3/8" comp. angle stop (D105BL) 07
- 5/8" ID sure grip brass flange (D128)
- Flanged urethane wax ring (D6033-40)
- 2 ea. brass closet bolts, nuts, and washers



Lever Handle Ball Valve Toilet Kit & Wax Ring

D1613TBL-

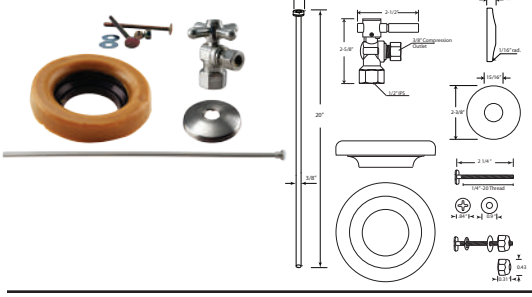
- 3/8" comp. x 7/8" ballcock x 12" stainless steel braided flex line 26
- 1/2" IPS x 3/8" comp. angle stop (D103BL) 07
- 1/2" IPS sure grip brass flange (D129)
- Flanged urethane wax ring (D6033-40)
- 2 ea. brass closet bolts, nuts, and washers



Lever Handle Ball Valve Toilet Kit & Wax Ring

D1614TBL-

- 3/8" comp. x 7/8" flat head ballcock x 20" annealed brass toilet supply line (D124) 26
- 1/2" nom comp. x 3/8" comp. angle stop (D105BL) 07, 12
- 1/2" IPS sure grip brass flange (D128)
- Flanged urethane wax ring (D6033-40)
- 2 ea. brass closet bolts, nuts and washers



Lever Handle Ball Valve Toilet Kit & Wax Ring

D1615TBL-

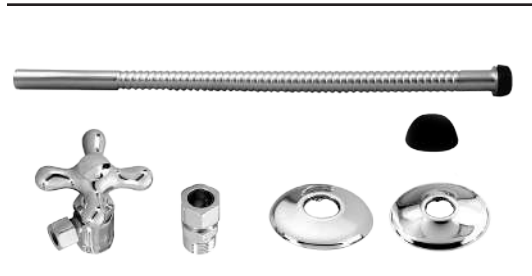
- 3/8" comp. x 7/8" Flat Head ballcock x 20" annealed brass toilet supply line (D124) 26
- 1/2" IPS x 3/8" comp. angle stop (D103BL) 07, 12
- 1/2" IPS sure grip brass flange (D129)
- Flanged urethane wax ring (D6033-40)
- 2 ea. brass closet bolts, nuts and washers



Wax Ring with Flange Only

D0133-40

- Urethane wax ring toilet bowl gasket
- With universal 3" or 4" rubber boot



Universal Toilet Kit w/Cross Handle

D1712T-

- Universal traditional style toilet kit includes:
- 1/2" OD x 12" corrugated riser (D116) 26
 - 5/8" ID sure grip brass flange (D128) 01, 05, 07,
 - 1/2" IPS sure grip brass flange (D129) 12
 - 1/2" IPS x 1/2" OD comp. angle stop (D1021X)
 - 1/2" IPS x compression adapter

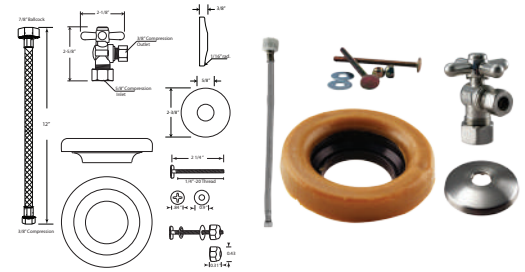
CROSS HANDLE 1/4 - TURN ANGLE STOP KITS

POLISHED BRASS (01 OR 03), POLISHED NICKEL (05), SATIN NICKEL (07), ANTIQUE COPPER (11), OIL RUBBED BRONZE (12), POLISHED CHROME(26), WHITE (50), AND FLAT BLACK (62)

Cross Handle Ball Valve Toilet Kit & Wax Ring

D1612TBX-

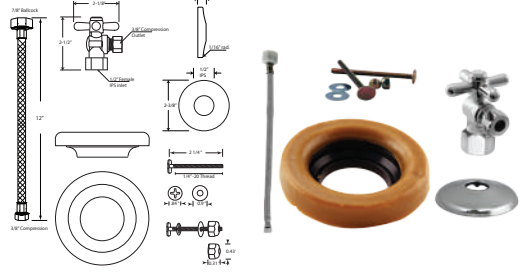
- 3/8" comp. x 7/8" ballcock x 12" stainless steel braided flex line 26
- 1/2" nom. comp. x 3/8" comp. angle stop (D105BX) 07
- 5/8" ID sure grip brass flange (D128)
- Flanged urethane wax ring (D6033-40)
- 2 ea. brass closet bolts, nuts and washers



Cross Handle Ball Valve Toilet Kit & Wax Ring

D1613TBX-

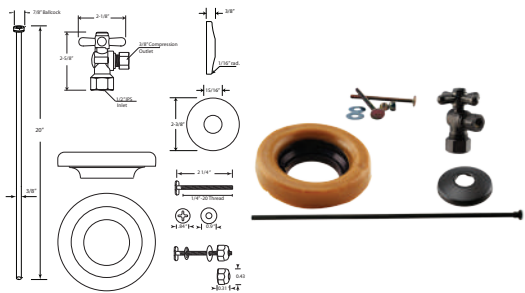
- 3/8" comp. x 7/8" ballcock x 12" stainless steel braided flex line 26
- 1/2" IPS x 3/8" comp. angle stop (D103BX) 07
- 1/2" IPS sure grip brass flange (D129)
- Flanged urethane wax ring (D6033-40)
- 2 ea. brass closet bolts, nuts and washers



Cross Handle Ball Valve Toilet Kit & Wax Ring

D1614TBX-

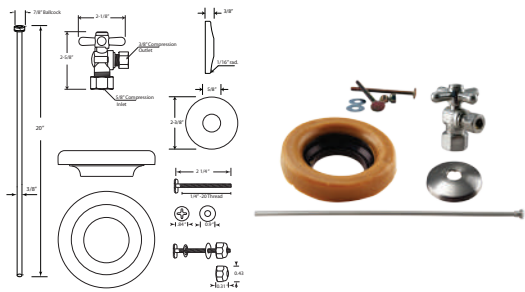
- 3/8" comp. x 7/8" flat head ballcock x 20" annealed brass toilet supply line (D124) 26
- 1/2" comp. x 3/8" comp. angle stop (D105BX) 07, 12
- 1/2" IPS sure grip brass flange (D128)
- Flanged urethane wax ring (D6033-40)
- 2 ea. brass closet bolts, nuts and washers



Cross Handle Ball Valve Toilet Kit & Wax Ring

D1615TBX-

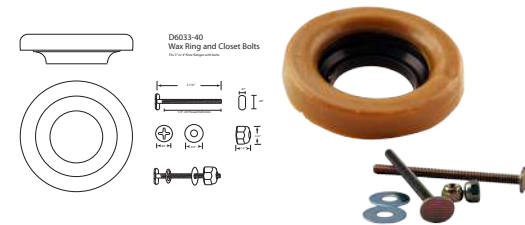
- 3/8" comp. x 7/8" Flat Head ballcock x 20" annealed brass toilet supply line (D124) 26
- 1/2" IPS x 3/8" comp. angle stop (D103BX) 07, 12
- 1/2" IPS sure grip brass flange (D129)
- Flanged urethane wax ring (D6033-40)
- 2 ea. brass closet bolts, nuts and washers



Wax Ring with Flange and Closet Bolts

D6033-40

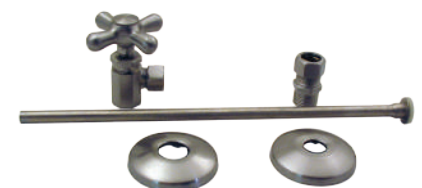
- Urethane wax ring toilet bowl gasket
- With universal 3" & 4" rubber boot
- Brass oval head closet bolts included



Universal Toilet Kit w/Cross Handle

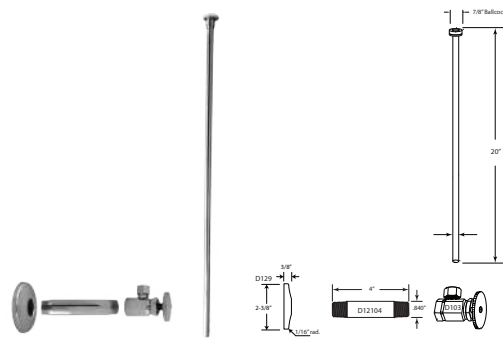
D1812T-

- Universal traditional style toilet kit includes: 26
- 1/2" OD x 12" flat head riser (D125) 01, 05, 07,
 - 5/8" ID sure grip brass flange (D128) 12, 50, 62
 - 1/2" IPS sure grip brass flange (D129)
 - 1/2" IPS x 1/2" OD comp. angle stop (D1021X)
 - 1/2" IPS x compression adapter



ROUND HANDLE IPS ANGLE STOP KITS

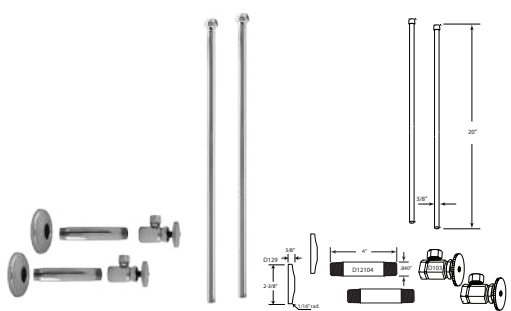
POLISHED BRASS (01 OR 03), POLISHED NICKEL (05), SATIN NICKEL (07), ANTIQUE COPPER (11), OIL RUBBED BRONZE (12), POLISHED CHROME(26), WHITE (50), AND FLAT BLACK (62)



1/2" IPS x 3/8" Flat Head Riser Toilet Kit - Round

D103KFH-

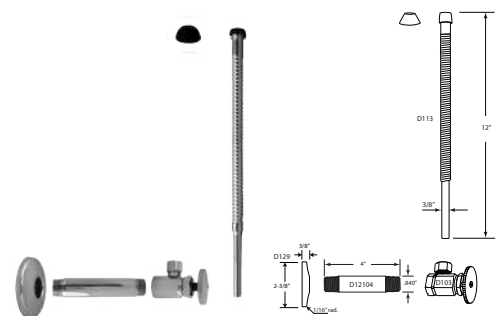
- 1/2" IPS inlet 26
- 3/8" OD compression outlet 01, 05, 07, 12, 50, 62
- Round handle compression stop (D103)
- 3/8" x 20" flat head toilet riser (D124)
- 1/2" IPS x 4" nipple (D12104)
- 1/2" IPS sure grip flange (D129)



1/2" IPS x 3/8" Bullnose Riser Faucet Kit - Round

D103KBN-

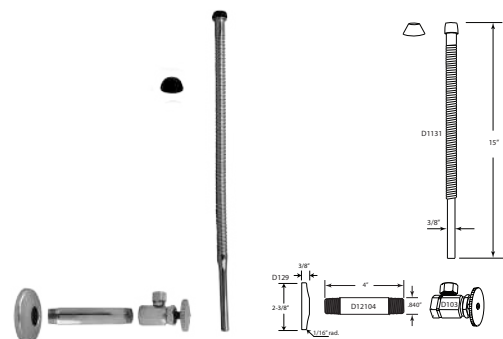
- 1/2" IPS inlet 26
- 3/8" OD compression outlet 01, 05, 07, 12, 50, 62
- 2 ea. round handle compression stops (D103)
- 2 ea. 3/8" x 20" bullnose faucet risers (D120)
- 2 ea. 1/2" IPS x 4" nipples (D12104)
- 2 ea. 1/2" IPS sure grip flanges (D129)



1/2" IPS x 3/8" x 12" Corrugated Riser Kit - Round

D103K12-

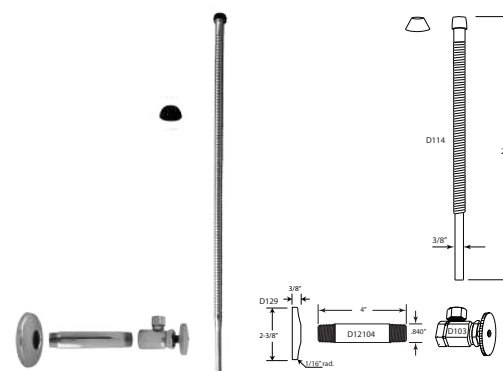
- 1/2" IPS inlet 26
- 3/8" OD compression outlet 01, 05, 07, 12
- Round handle compression stop (D103)
- 3/8" x 12" corrugated riser (D113)
- 1/2" IPS x 4" nipple (D12104)
- Includes 1/2" faucet and 7/8" toilet cone washers
- 1/2" IPS sure grip flange (D129)



1/2" IPS x 3/8" x 15" Corrugated Riser Kit - Round

D103K15-

- 1/2" IPS inlet 26
- 3/8" OD compression outlet 01, 05, 07, 12
- Round handle compression stop (D103)
- 3/8" x 15" corrugated riser (D1131)
- 1/2" IPS x 4" nipple (D12104)
- Includes 1/2" faucet and 7/8" toilet cone washers
- 1/2" IPS sure grip flange (D129)



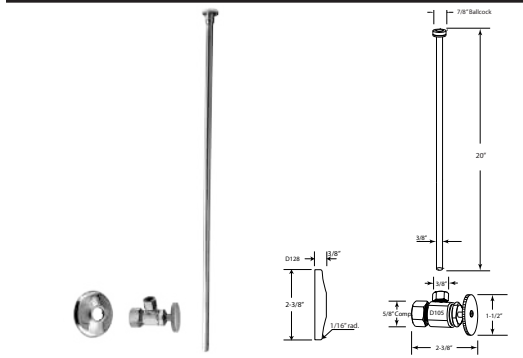
1/2" IPS x 3/8" x 20" Corrugated Riser Kit - Round

D103K20-

- 1/2" IPS inlet 26
- 3/8" OD compression outlet 01, 05, 07, 12
- Round handle compression stop (D103)
- 3/8" x 20" corrugated riser (D114)
- 1/2" IPS x 4" nipple (D12104)
- Includes 1/2" faucet and 7/8" toilet cone washers
- 1/2" IPS sure grip flange (D129)

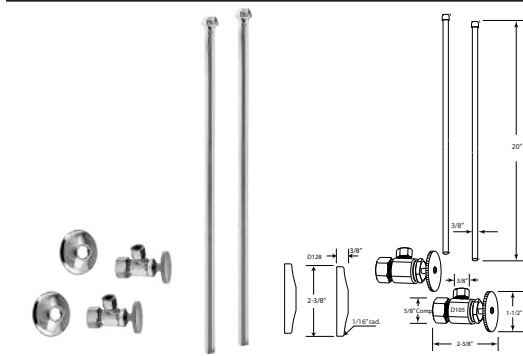
ROUND HANDLE COMPRESSION INLET ANGLE STOP KITS

POLISHED BRASS (01 OR 03), POLISHED NICKEL (05), SATIN NICKEL (07), ANTIQUE COPPER (11), OIL RUBBED BRONZE (12), POLISHED CHROME(26), WHITE (50), AND FLAT BLACK (62)



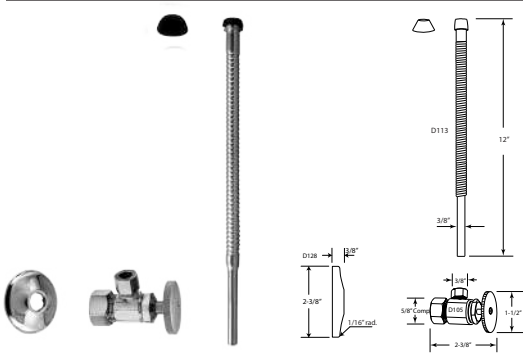
1/2" Nom. x 3/8" Flat Head Riser Toilet Kit - Round D105KFH-

- 1/2" nominal compression (5/8" OD) inlet 26
- 3/8" OD compression outlet 01, 05, 07, 12, 50, 62
- Round handle compression stop (D105)
- 3/8" x 20" flat head toilet riser (D124)
- 1/2" nominal sure grip flange (D128)



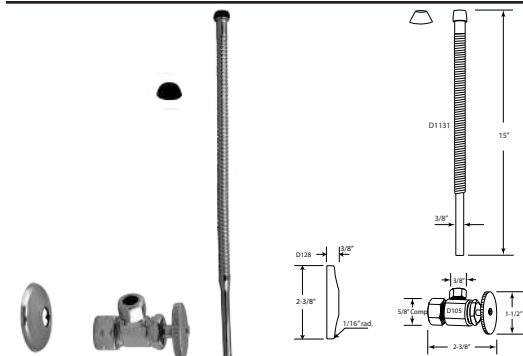
1/2" Nom. x 3/8" Bullnose Riser Faucet Kit - Round D105KBN-

- 1/2" nominal compression (5/8" OD) inlet 26
- 3/8" OD compression outlet 01, 05, 07, 12, 50, 62
- 2 ea. round handle compression stops (D105)
- 2 ea. 3/8" x 20" bullnose faucet risers (D120)
- 2 ea. 1/2" nominal sure grip flanges (D128)



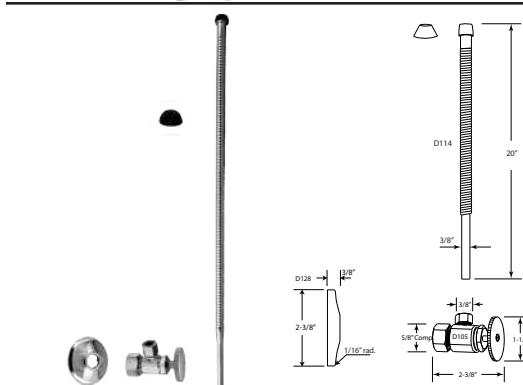
1/2" Nom. x 3/8" x 12" Corrugated Riser Kit - Round D105K12-

- 1/2" nominal compression (5/8" OD) inlet 26
- 3/8" OD compression outlet 01, 05, 07, 12
- Round handle compression stop (D105)
- 3/8" x 12" corrugated riser (D113)
- Includes 1/2" and 7/8" cone washers
- Use for faucet or toilet
- 1/2" nominal sure grip flange (D128)



1/2" Nom. x 3/8" x 15" Corrugated Riser Kit - Round D105K15-

- 1/2" nominal compression (5/8" OD) inlet 26
- 3/8" OD compression outlet 01, 05, 07, 12
- Round handle compression stop (D105)
- 3/8" x 15" corrugated riser (D1131)
- Includes 1/2" and 7/8" cone washers
- Use for faucet or toilet
- 1/2" nominal sure grip flange (D128)



1/2" Nom. x 3/8" x 20" Corrugated Riser Kit - Round D105K20-

- 1/2" nominal compression (5/8" OD) inlet 26
- 3/8" OD compression outlet 01, 05, 07, 12
- Round handle compression stop (D105)
- 3/8" x 20" corrugated riser (D114)
- Includes 1/2" and 7/8" cone washers
- Use for faucet or toilet
- 1/2" nominal sure grip flange (D128)

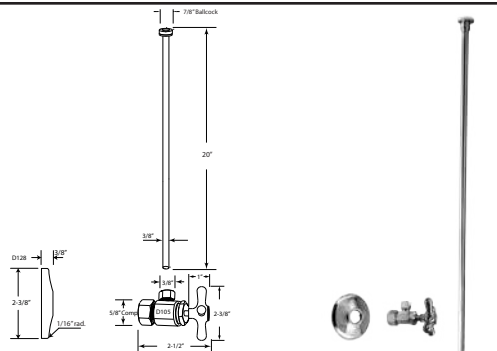
CROSS HANDLE COMPRESSION INLET ANGLE STOP KITS

POLISHED BRASS (01 OR 03), POLISHED NICKEL (05), SATIN NICKEL (07), ANTIQUE COPPER (11), OIL RUBBED BRONZE (12), POLISHED CHROME (26), WHITE (50), AND FLAT BLACK (62)

1/2" Nom. x 3/8" Flat Head Riser Toilet Kit - Cross

D105KFHX-

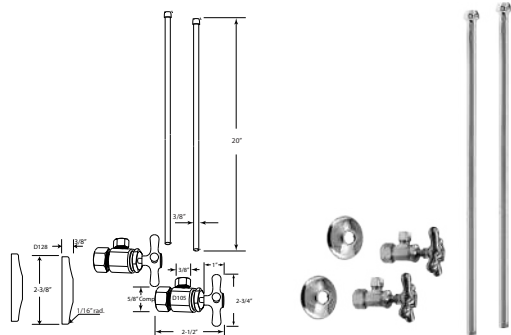
- 1/2" nominal compression (5/8" OD) inlet 26
- 3/8" OD compression outlet 01, 05, 07,
- Cross handle compression stop (D105X) 12, 50, 62
- 3/8" x 20" flat head toilet riser (D124)
- 1/2" nominal sure grip flange (D128)



1/2" Nom. x 3/8" Bullnose Riser Faucet Kit - Cross

D105KBNX-

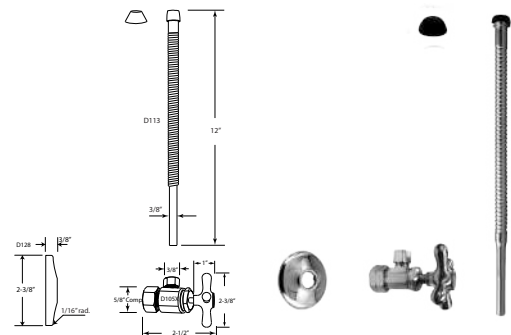
- 1/2" nominal compression (5/8" OD) inlet 26
- 3/8" OD compression outlet 01, 05, 07,
- 2 ea. cross handle compression stops (D105X) 12, 50, 62
- 2 ea. 3/8" x 20" bullnose faucet risers (D120)
- 2 ea. 1/2" nominal sure grip flanges (D128)



1/2" Nom. x 3/8" x 12" Corrugated Riser Kit - Cross

D105K12X-

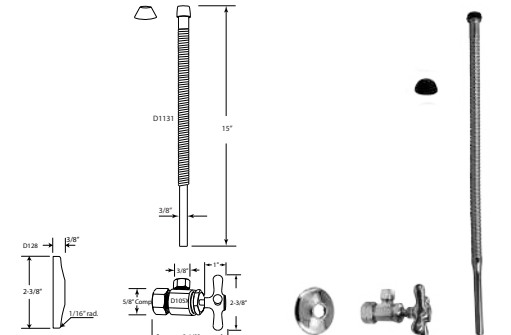
- 1/2" nominal compression (5/8" OD) inlet 26
- 3/8" OD compression outlet 01, 05, 07,
- Cross handle compression stop (D105X) 12
- 3/8" x 12" corrugated riser (D113)
- Includes 1/2" and 7/8" cone washers
- Use for faucet or toilet
- 1/2" nominal sure grip flange (D128)



1/2" Nom. x 3/8" x 15" Corrugated Riser Kit - Cross

D105K15X-

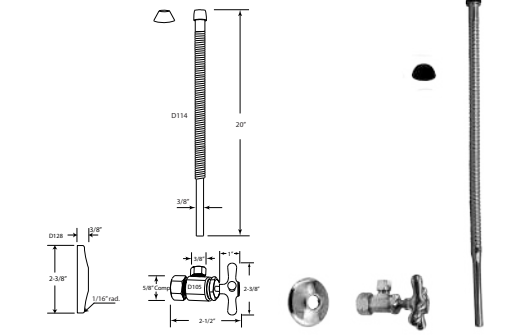
- 1/2" nominal compression (5/8" OD) inlet 26
- 3/8" OD compression outlet 01, 05, 07,
- Cross handle compression stop (D105X) 12
- 3/8" x 15" corrugated riser (D1131)
- Includes 1/2" and 7/8" cone washers
- Use for faucet or toilet
- 1/2" nominal sure grip flange (D128)



1/2" Nom. x 3/8" x 20" Corrugated Riser Kit - Cross

D105K20X-

- 1/2" nominal compression (5/8" OD) inlet 26
- 3/8" OD compression outlet 01, 05, 07,
- Cross handle compression stop (D105X) 12
- 3/8" x 20" corrugated riser (D114)
- Includes 1/2" and 7/8" cone washers
- Use for faucet or toilet
- 1/2" nominal sure grip flange (D128)



WATER SUPPLY LINES

POLISHED BRASS (01 OR 03), POLISHED NICKEL (05), SATIN NICKEL (07), ANTIQUE COPPER (11), OIL RUBBED BRONZE (12), POLISHED CHROME(26), WHITE (50), AND FLAT BLACK (62)

Toilet Supply Lines with Plastic Ballcock Nut

T0938	3/8" x 7/8 Ballcock x 9"
T1238	3/8" x 7/8 Ballcock x 12"
T1638	3/8" x 7/8 Ballcock x 16"



Toilet Supply Lines with Plastic Ballcock Nut

T0922	1/2" x 7/8 Ballcock x 9"
T1222	1/2" x 7/8 Ballcock x 12"
T1622	1/2" x 7/8 Ballcock x 16"



Toilet Supply Lines with Brass Ballcock Nut

T1238B	3/8" x 7/8 Brass Ballcock x 12"
T1638B	3/8" x 7/8 Brass Ballcock x 16"



Toilet Supply Lines with Brass Ballcock Nut

T1222B	1/2" x 7/8 Brass Ballcock x 12"
T1622B	1/2" x 7/8 Brass Ballcock x 16"



3/8" Sink Supply Lines

S1238	3/8" comp. x 1/2" FIP x 12"
S1638	3/8" comp. x 1/2" FIP x 16"
S2038	3/8" comp. x 1/2" FIP x 20"
S2438	3/8" comp. x 1/2" FIP x 24"



1/2" Sink Supply Lines

S1222	1/2" FIP x 1/2" FIP x 12"
S1622	1/2" FIP x 1/2" FIP x 16"
S2022	1/2" FIP x 1/2" FIP x 20"
S2422	1/2" FIP x 1/2" FIP x 24"



Washing Machine Supply Lines

S48WMH	3/4" Hose x 48" SS
S60MWH	3/4" Hose x 60" SS
S72MWH	3/4" Hose x 72" SS



Elbow Washing Machine Supply Lines

S48WMHE	3/4" Hose x 48" SS with Ell
S60MWHE	3/4" Hose x 60" SS with Ell
S72MWHE	3/4" Hose x 72" SS with Ell



Corrugated Stainless Steel Water Heater Connector

S12WHC	3/4" FIP x 12"
S15WHC	3/4" FIP x 15"
S18WHC	3/4" FIP x 18"
S24WHC	3/4" FIP x 24"



UNIVERSAL PEDESTAL LAVATORY KITS

POLISHED BRASS (01 OR 03), POLISHED NICKEL (05), SATIN NICKEL (07), ANTIQUE COPPER (11), OIL RUBBED BRONZE (12), POLISHED CHROME(26), WHITE (50), AND FLAT BLACK (62)

Round Handle Corrugated Pedestal Kit

D1538L-

- 2 ea. 1/2" nom. x 3/8" OD comp. stops (D105) 26
- 2 ea. 3/8" OD x 20" corrugated risers (D114) 01, 05, 07,
- 2 ea. faucet cone washers 12
- 2 ea. thread-on faucet cone washers
- 2 ea. 5/8" ID sure grip brass flanges (D128)
- 1-1/2" x 1-1/2" or 1-1/4" P-trap & flange (D400-1)



Cross Handle LA Pedestal Kit

D1638L-

- 2 ea. 3/8" OD x 20" corrugated risers (D114) 26
- 2 ea. 5/8" ID sure grip brass flanges (D128) 01, 05, 07,
- 2 ea. 1/2" IPS sure grip brass flanges (D129) 12
- 2 ea. 1/2" IPS x 3/8" OD comp. angle stops (D103X)
- 2 ea. 1/2" IPS x compression adapters
- 1-1/2" x 1-1/2" LA style P-trap (D402NE-1)



Cross Handle Victorian Pedestal Kit

D1738L-

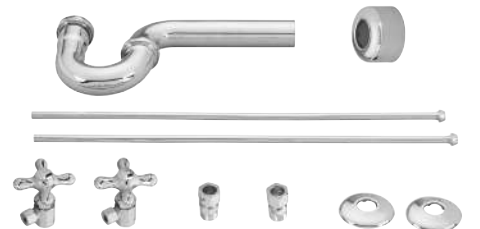
- 2 ea. 3/8" OD x 20" corrugated risers (D114) 26
- 2 ea. 5/8" ID sure grip brass flanges (D128) 01, 05, 07,
- 2 ea. 1/2" IPS sure grip brass flanges (D129) 12
- 2 ea. 1/2" IPS x 3/8" OD comp. angle stops (D103X)
- 2 ea. 1/2" IPS x compression adapters
- 1-1/2" x 1-1/2" or 1-1/4" P-trap & flange (D400-1)



Cross Handle Traditional Pedestal Kit

D1838L-

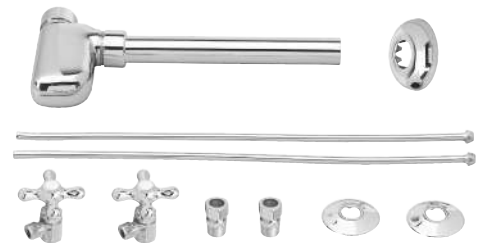
- 2 ea. 3/8" OD x 20" bullnose risers (D120) 26
- 2 ea. 5/8" ID sure grip brass flanges (D128) 01, 05, 07,
- 2 ea. 1/2" IPS sure grip brass flanges (D129) 12, 50, 62
- 2 ea. 1/2" IPS x 3/8" OD comp. angle stops (D103X)
- 2 ea. 1/2" IPS x compression adapters
- 1-1/2" x 1-1/2" or 1-1/4" P-trap & flange (D400-1)



Cross Handle European Pedestal Kit

D1938L-

- 2 ea. 3/8" OD x 20" bullnose risers (D120) 26
- 2 ea. 5/8" ID sure grip brass flanges (D128) 01, 05, 07,
- 2 ea. 1/2" IPS sure grip brass flanges (D129) 12, 62
- 2 ea. 1/2" IPS x 3/8" OD comp. angle stops (D103X)
- 2 ea. 1/2" IPS x compression adapters
- 1-1/4" x 1-1/4" European flat trap (D4053-1)



European Iron Pipe Pedestal Kit

D19103BXK- or D19103BLK-

- 2 ea. 3/8" OD x 20" bullnose risers (D120) 26
- 2 ea. 1/2" IPS sure grip brass flanges (D129) 03, 05, 07,
- 2 ea. 1/2" IPS x 3/8" OD 1/4-turn angle stops (D103BX or D103BL depending on handle) 12, 62
- 1-1/4" x 1-1/4" European flat trap (D4053-1)



D19103BXK-12

D19103BLK-07

P-TRAPS WITH BOX FLANGES

POLISHED BRASS (01 OR 03), POLISHED NICKEL (05), SATIN NICKEL (07), ANTIQUE COPPER (11), OIL RUBBED BRONZE (12), POLISHED CHROME(26), WHITE (50), AND FLAT BLACK (62)



D19105BLK-26

D19105B XK-12

European Copper Pipe Pedestal Kit

D19105B XK- or D19105BLK-

- 2 ea. 3/8" OD x 20" bullnose risers (D120) 26
- 2 ea. 5/8" sure grip brass flanges (D128) 03, 05, 07,
- 2 ea. 1/2" Nom. x 3/8" OD 1/4-turn angle stops (D105BX or D105BL depending on handle) 12, 62
- 1-1/4" x 1-1/4" European flat trap (D4053-1)

1-1/2" x 1-1/2" P-Trap with Box Flange

D400-1-



- Standard P-trap with flange 26
- 1-1/2" x 1-1/2" 03, 05, 07,
- D409 high box flange included 12, 50, 62
- 17 gauge brass
- Slip joint nuts included

1-1/4" x 1-1/4" P-Trap with Box Flange

D401-1-



- Standard P-trap with flange 26
- 1-1/4" x 1-1/4" 03, 05, 07,
- D4091 high box flange included 12, 50, 62
- 17 gauge brass
- Slip joint nuts included

1-1/2" x 1-1/4" P-Trap with Box Flange

D4011-1-



- Reduced neck standard P-trap 26
- 1-1/2" x 1-1/4" 03, 05, 07,
- D409 high box flange included 12, 50, 62
- 17 gauge brass
- Slip joint nuts included

1-1/2 x 1-1/2 or 1-1/4 P-Trap for PVC or ABS

D402NE-1-



- New England style P-trap 26
- For use with ABS or PVC drain, waste & vent 03, 05, 07,
- 1-1/2" x 1-1/2" or 1-1/4" J-bend 12, 50, 62
- 6" cover tube, D4094 high box flange
- Sch. 40 1-1/2" PVC male adapter included
- Brass

1-1/4" x 1-1/4" Flat Euro Trap w/Box Flange

D4053-1-



- European style flat trap 26
- 1-1/4" x 1-1/4" 03, 05, 07,
- D4091 high box flange included 12, 62
- Cast brass trap body
- 17 gauge brass tube

CONSTRUCTION ACCESSORIES

POLISHED BRASS (01 OR 03), POLISHED NICKEL (05), SATIN NICKEL (07), ANTIQUE COPPER (11), OIL RUBBED BRONZE (12), POLISHED CHROME(26), WHITE (50), AND FLAT BLACK (62)

1-1/2" x 1-1/2" Ground Joint P-Trap & Flange

D400G- (502800G)

- Ground joint P-trap with bell flange -RAW
- 1-1/2" x 1-1/2" 17 gauge brass -26
- Brass slip joint nuts included Chrome



1-1/2" x 1-1/2" LA Code Trap & Flange

D402LA- 1-1/2 x 1-1/2

-RAW

D403LA- 1-1/2 x 1-1/4

-26
Chrome

- Ground joint trap 1-1/2 FIP inlet
- Brass slip joint nuts included



1-1/2" Female Desanko Fitting

112FDF Female End

112MDF Male End

- 1-1/2 Cast brass trap adapter fitting Rough
- Brass ferrule and nut included Brass



1-1/2" 2-Part Continuous Waste LA Code

D430- (549800)

- Side outlet waste fitting -RAW
- 1-1/2" x 1-1/2" -26
- 17 gauge brass Chrome
- Brass slip joint nuts & poly washers included



1-1/2" Slip Joint Wye w/ 7/8" Branch

D432- 1-1/2" Slip Joint (705820) -RAW

Chrome -26

D422T-26 1-1/4" Thread One End -26
Chrome Only

- 7/8" brass branch 20 gauge brass tube



1-1/2" x 16" Double End Slip Joint Extension

D42116- 1-1/4"

D42316- 1-1/2" (796962B or 584850) -RAW

- Cut length to fit -26
- 17 gauge brass tube Chrome
- Brass slip joint nuts & poly washers included



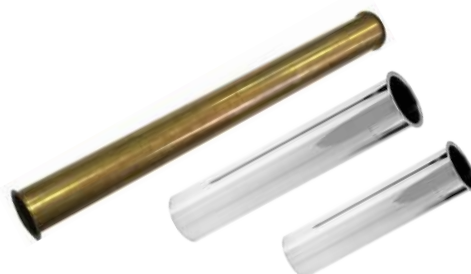
1-1/2" 17 Ga. Flanged Tailpiece RAW -26

D416- 1-1/2 x 8

D417- 1-1/2 x 12

D4171- 1-1/2 x 16 Double End
(789982 or 578870)

- Cut length to fit
- 17 Gauge



CONSTRUCTION ACCESSORIES

POLISHED BRASS (01 OR 03), POLISHED NICKEL (05), SATIN NICKEL (07), ANTIQUE COPPER (11), OIL RUBBED BRONZE (12), POLISHED CHROME(26), WHITE (50), AND FLAT BLACK (62)



Post Style Stainless Steel Basket Strainer S412BS

- Large push style kitchen sink strainer
- Zinc slip joint nuts and washers included
- Fits 3-1/2" opening
- 4-1/2" rim diameter
- Stainless Steel construction

Stainless
Steel



Easy Connect Stainless Steel Basket Strainer IEODS (EODBS)

- Large push style kitchen sink strainer
- Brass slip joint nuts and washers included
- Fits 3-1/2" opening
- 4-1/2" rim diameter
- Stainless Steel construction

Stainless
Steel



Double Cup Chrome Basket Strainer DCBS

- Large push style kitchen sink strainer
- Zinc slip joint nuts and washers included
- Fits 3-1/2" opening
- 4-1/2" rim diameter
- Chromed Stainless Steel construction

Stainless
Steel



Air Gap Kit with Standard Brass Cap D200-26

- Standard air gap cap with plastic body included
- 1-5/8" cap diameter
- 2-1/4" cap height
- 9" overall height with plastic body
- Stamped brass cap with plastic body

26



Air Gap Kit with Standard Brass Cap D200P-

- Plastic air gap cap with plastic body included
- 1-5/8" cap diameter
- 2-1/4" cap height
- 9" overall height with plastic body

-CP
-WH
-AL



1/2 Inch Sure Grip Flange

D128-26 5/8" OD (1/2" Copper) 26

D129-26 1/2" IPS (1/2" Iron Pipe) 26

- Low Pattern Flange
- Steel stamped
- 2-1/2" Exterior diameter

1/4-Turn Angle Stop, 5/8" OD - Lever Handle

KTCR19XC

- 5/8" compression (1/2" Nominal Copper Pipe) Chrome
- Domestic quarter turn stop
- 3/8" compression Outlet
- Precision machined brass ball with PTFE seats
- UPC and IAPMO approved
- NSF-61 AB 1953 approved



1/4-Turn Angle Stop, 5/8" OD - Lever Handle

G2CR19XC

- 5/8" compression (1/2" Nominal Copper Pipe) Chrome
- Domestic quarter turn stop
- 3/8" compression Outlet
- UPC and IAPMO approved
- NSF-61 AB 1953 approved



1/2" Copper x 3/8" Comp. Angle Stop

I3341

- 5/8" compression (1/2" Nominal Copper Pipe) Chrome
- Imported quarter turn stop
- 3/8" compression Outlet
- UPC and IAPMO approved
- NSF-61 AB 1953 approved



PEX Angle Stops

SSP42A-G PEX x 1/4" Comp.

Chrome

SSP43A-G PEX x 3/8" Comp.

Chrome

- 1/2" insert inlet
- Chrome plated brass
- 1/4-Turn oval handle
- cUPC and NSF-61 certified



Push Fit Angle Stops

SSPF42A-G 1/2" x 1/4" Comp.

Chrome

SSPF43A-G 1/2" x 3/8" Comp.

Chrome

- 1/2" push fit for Copper, CPVC or PEX
- Chrome plated brass
- 1/4-Turn lever handle
- cUPC and NSF-61 certified



PEX 3/4" Hose Washing Machine Valves

211-44046 PEX COLD Handle

Rough

211-44146 PEX HOT Handle

Rough

- 1/2" Insert inlet
- Rough brass - not for potable water
- 1/4-Turn lever handle
- cUPC and NSF-7 certified



CONSTRUCTION ACCESSORIES



Access Panel with Screwdriver Latch

DWPCSDL-12 (12" x 12")

DWPCSDL-14 (14" x 14")

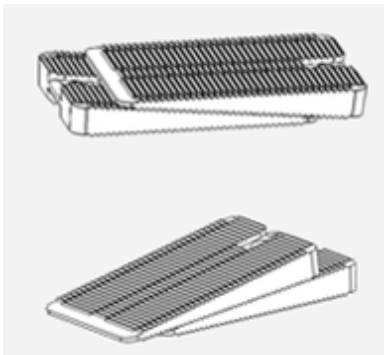
- Elmdor Stoneman Drywall Access panel
- Screwdriver latch for secure locking
- Hidden Piano hinge for security
- 16 gauge primed galvanized steel construction

Wobble Wedges

HARD (Hard Wedge Clear)

SOFT (Soft Wedge White)

- 75 piece per box
- Tapered leveling Shim
- Great for leveling toilet bowls and bath cabinets



Wax Ring with Flange and Bolts

D6033-40

- Urethane wax ring toilet bowl gasket
- With universal 3" & 4" rubber boot
- Brass oval head closet bolts included



GAS SUPPLY VALVES AND LINES

GAS VALVES AND SUPPLY LINES

POLISHED BRASS (01 OR 03), POLISHED NICKEL (05), SATIN NICKEL (07), ANTIQUE COPPER (11), OIL RUBBED BRONZE (12), POLISHED CHROME(26), WHITE (50), AND FLAT BLACK (62)

1/4-Turn Gas Valve Straight Stop Forged Brass

3812GV	3/8 Flare x 1/2 FIP
1212GV	1/2 Flare x 1/2 FIP
5834GV	15/16 Flare x 3/4 FIP

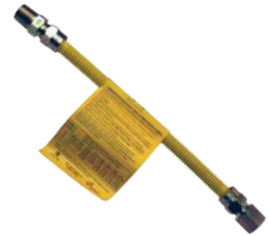


1/4-Turn Gas Valve Angled Stop

3812AGV	3/8 Flare x 1/2 FIP
1212AGV	1/2 Flare x 1/2 FIP
5834AGV	15/16 Flare x 3/4 FIP

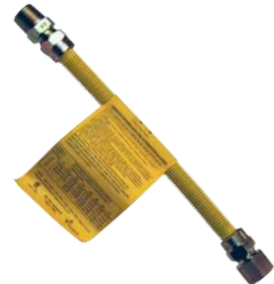
3/8" Diameter Gas Flex Coated Dryer Lines

3812GC	3/8" x 12"
3818GC	3/8" x 18"
3824GC	3/8" x 24"
3830GC	3/8" x 30"
3836GC	3/8" x 36"
3848GC	3/8" x 48"
3860GC	3/8" x 60"
3872GC	3/8" x 72"



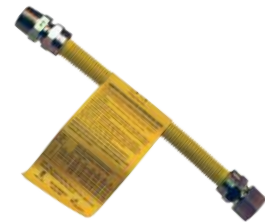
1/2" Diameter Gas Flex Water Heater Lines

1212GC	1/2" x 12"
1218GC	1/2" x 18"
1224GC	1/2" x 24"
1230GC	1/2" x 30"
1236GC	1/2" x 36"
1248GC	1/2" x 48"
1260GC	1/2" x 60"
1272GC	1/2" x 72"



5/8" Diameter Gas Flex Coated Range/Stove Lines

5818GC	15/16" x 18"
5824GC	15/16" x 24"
5830GC	15/16" x 30"
5836GC	15/16" x 36"
5848GC	15/16" x 48"
5860GC	15/16" x 60"
5872GC	15/16" x 72"



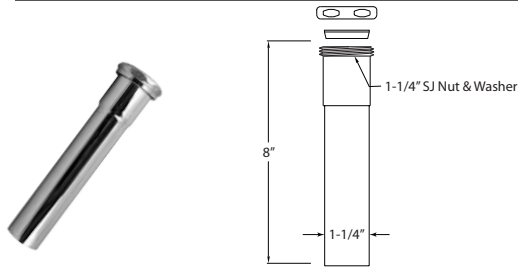
1" Diameter Gas Flex Tankless Water Heater Lines

118GC	1" x 18"
124GC	1" x 24"
130GC	1" x 30"
136GC	1" x 36"
148GC	1" x 48"



TUBULAR DRAIN PRODUCTS

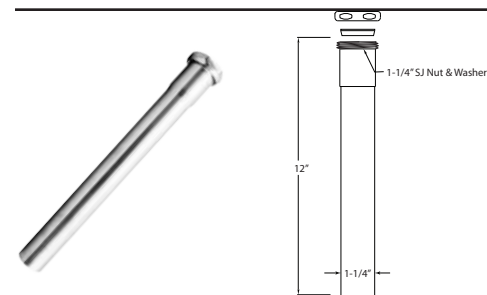
POLISHED BRASS (01 OR 03), POLISHED NICKEL (05), SATIN NICKEL (07), ANTIQUE COPPER (11), OIL RUBBED BRONZE (12), POLISHED CHROME(26), WHITE (50), AND FLAT BLACK (62)



1-1/4" X 8" OD Slip Joint Extension Tube

D420-

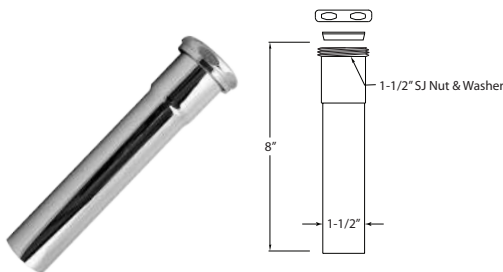
- 1-1/4" OD Tubular 26
- 8" Long 03, 05,
- Slip Joint Nut and Washer 07, 12,
- Solid Brass 20, 50,
- All exposed style 62
- 17 gauge tube



1-1/4" X 12" OD Slip Joint Extension Tube

D421-

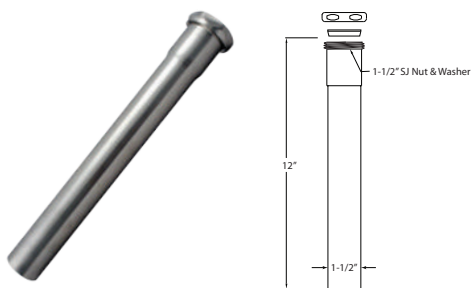
- 1-1/4" OD Tubular 26
- 12" Long 03, 05,
- Slip Joint Nut and Washer 07, 12,
- Solid Brass 20, 50,
- All exposed style 62
- 17 gauge tube



1-1/2" X 8" Finished Extension

D422-

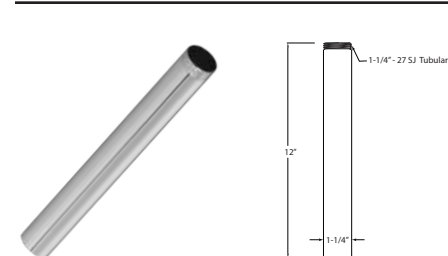
- 1-1/2" OD Tubular 26
- 8" Long 03, 05,
- Slip Joint Nut and Washer 07, 12,
- Solid Brass 20, 50,
- All exposed style 62
- 17 gauge tube



1-1/2" X 12" Finished Extension

D423-

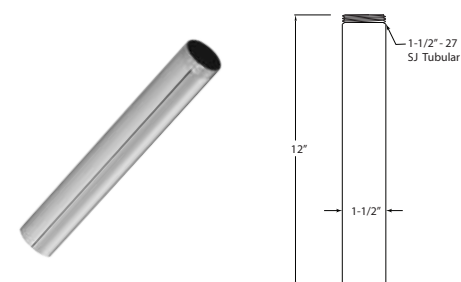
- 1-1/2" OD Tubular 26
- 12" Long 03, 05,
- Slip Joint Nut and Washer 07, 12,
- Solid Brass 20, 50,
- All exposed style 62
- 17 gauge tube



1-1/4" OD x 12" Tailpiece

D419-

- Tailpiece with both ends threaded 26
- 1-1/4" OD tubing 03 05, 07,
- 12" length 12, 50, 62
- Brass



1-1/2" OD x 12" Tailpiece

D41912-

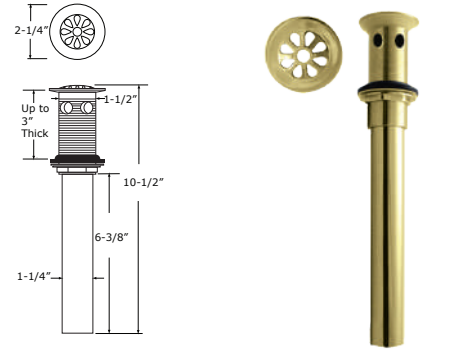
- Tailpiece with threaded end 26
- 1-1/2" OD tubing 03, 05, 07,
- 12" length 12, 50, 62
- Brass RAW

POLISHED BRASS (01 OR 03), POLISHED NICKEL (05), SATIN NICKEL (07), ANTIQUE COPPER (11), OIL RUBBED BRONZE (12), POLISHED CHROME(26), WHITE (50), AND FLAT BLACK (62)

High-Flow Grid Drain with Overflow Holes

D411A-

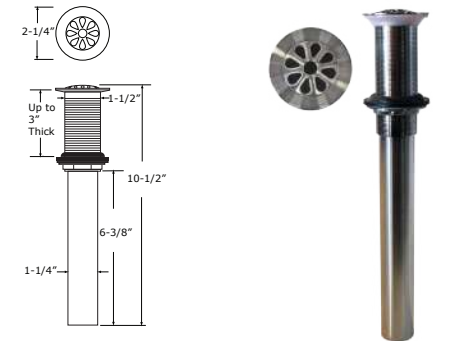
- Rapid draining raised grid design 26
- **Fully finished for exposed installation** 01, 05, 07,
- With overflow holes 12, 50, 62
- Fits 1-1/2" opening with 1-1/4" tailpiece
- 3-1/2" threading for thick sinks
- Brass construction



High-Flow Grid Drain, No Overflow Holes

D411A-1-

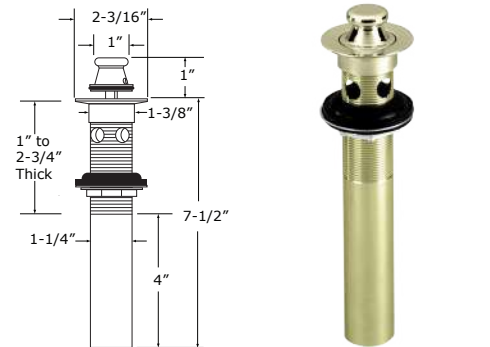
- Rapid draining raised grid design 26
- **Fully finished for exposed installation** 01, 05, 07,
- Without overflow holes 12, 50, 62
- Fits 1-1/2" opening with 1-1/4" tailpiece
- 3-1/2" threading for thick sinks
- Brass construction



Lift & Turn Lav Drain with Overflow Holes

D410-

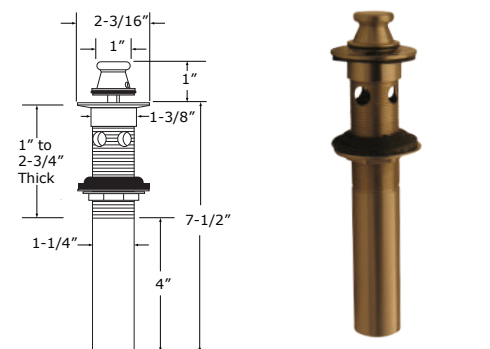
- Lift & turn lavatory drain 26
- Unfinished body for below counter installation 01, 05, 07,
- With overflow holes 12, 50, 62
- Fits 1-1/2" opening with 1-1/4" tailpiece
- Use D410SP for thin sink applications
- Brass construction



Lift & Turn Lav Drain with Overflow Holes

D410-2-

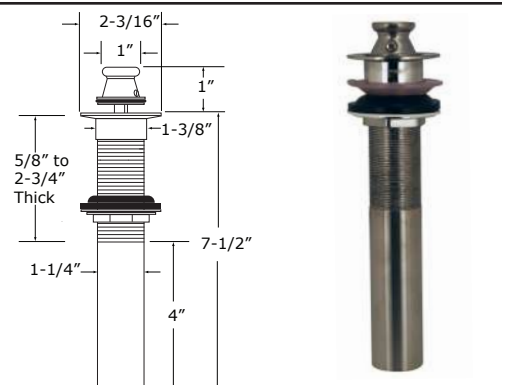
- Lift & turn lavatory drain 26
- **Fully finished for exposed installation** 01, 05, 07,
- With overflow holes 12, 50, 62
- Fits 1-1/2" opening with 1-1/4" tailpiece
- Use D410SP for thin sink applications
- Brass construction



Lift & Turn Lav Drain, No Overflow Holes

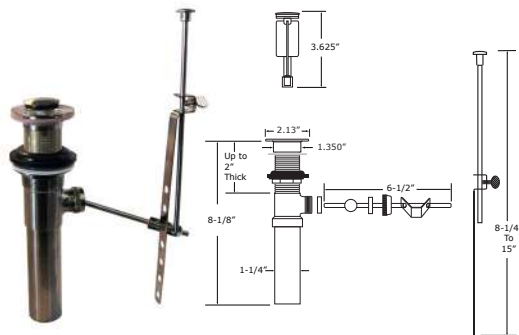
D410-12-

- Lift & turn lavatory drain 26
- **Fully finished for exposed installation** 01, 05, 07,
- Without overflow holes 12, 50, 62
- Fits 1-1/2" opening with 1-1/4" tailpiece
- Use D410SP for thin sink applications
- Brass construction



LAVATORY SINK DRAINS

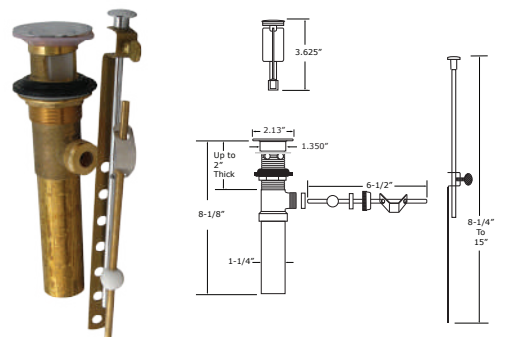
POLISHED BRASS (01 OR 03), POLISHED NICKEL (05), SATIN NICKEL (07), ANTIQUE COPPER (11), OIL RUBBED BRONZE (12), POLISHED CHROME(26), WHITE (50), AND FLAT BLACK (62)



Pop-up Lav Drain, No Overflow Holes

D412-12-

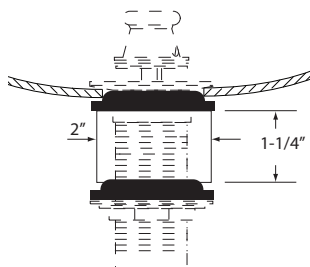
- Pop-up style lavatory drain 26
- **Fully finished for exposed installation** 07, 12
- Strap, horizontal rod, and lift rod included
- Without overflow holes
- Fits 1-1/2" opening with 1-1/4" tailpiece
- Brass construction



Pop-up Lav Drain with Overflow Holes

D412-2-

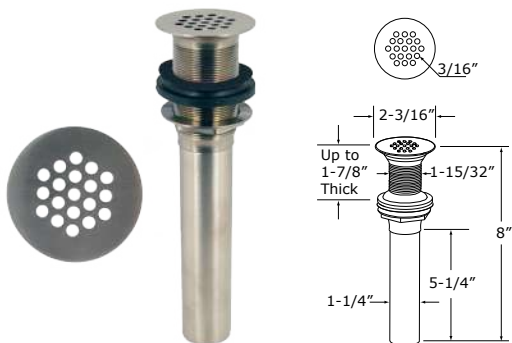
- Pop-up style lavatory drain 26
- **Fully finished for exposed installation** 03, 05, 07, 12, 50, 62
- Strap, horizontal rod, and lift rod included
- With overflow holes
- Fits 1-1/2" opening with 1-1/4" tailpiece
- Brass construction



Mounting Spacer for Thin Sinks

D410SP-

- Lavatory spacer kit for thin sinks 26
- Use with D410, D411, and D412 series 01, 05, 07, 12, 50, 62
- Do not use with D410A, E or Z series
- Includes mack basin gasket
- Finished brass



Grid Strainer Lav Drain, No Overflow Holes

D411-12-

- Grid style lavatory drain 26
- 19 hole grid 01, 05, 07, 12, 50, 62
- **Fully finished for exposed installation**
- Without overflow holes
- Fits 1-1/2" opening with 1-1/4" tailpiece
- Brass construction



Grid Strainer Lav Drain with Overflow Holes

D411-2-

- Grid style lavatory drain 26
- 19 hole grid 01, 05, 07, 12, 50, 62
- **Fully finished for exposed installation**
- With overflow holes
- Fits 1-1/2" opening with 1-1/4" tailpiece
- Brass construction

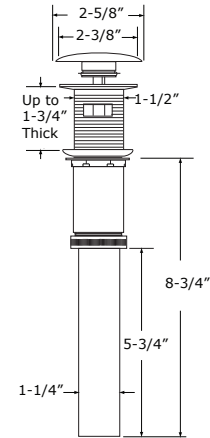
LAVATORY SINK DRAINS

POLISHED BRASS (01 OR 03), POLISHED NICKEL (05), SATIN NICKEL (07), ANTIQUE COPPER (11), OIL RUBBED BRONZE (12), POLISHED CHROME(26), WHITE (50), AND FLAT BLACK (62)

Euro Mushroom Lav Drain with Overflow

D410A-

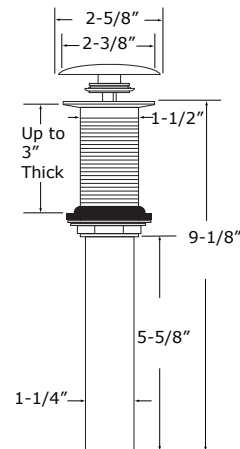
- European mushroom push-down lavatory drain 26
- Push in stopper to seal water 01, 05, 07, 12, 50, 62
- **Fully finished for exposed installation**
- With overflow holes
- Fits 1-1/2" opening with 1-1/4" tailpiece
- Brass construction



Euro Mushroom Lav Drain, No Overflow

D410A-1-

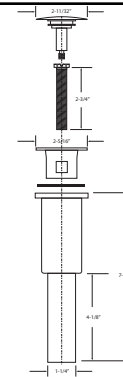
- European mushroom push-down lavatory drain 26
- Push in stopper to seal water 01, 05, 07, 12, 50, 62
- **Fully finished for exposed installation**
- Without overflow holes
- Fits 1-1/2" opening with 1-1/4" tailpiece
- Brass construction



Universal Fixed Umbrella Lav Drain

D410Z-

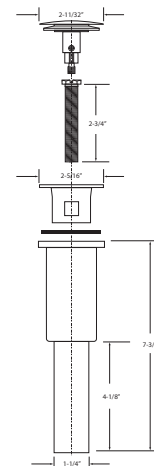
- Replaces grid drains - stopper does not seal 26
- **Fully finished for exposed installation** 01, 05, 07, 12, 50, 62
- Fits extra-thin sheet metal sinks
- Fits sinks up to 2-3/4" thick
- Fits 1-1/2" - 1-5/8" opening - 1-1/4" tailpiece
- Heavy brass construction



Universal Umbrella Lav Drain

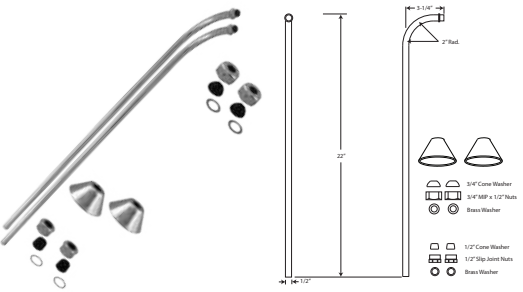
D410E-

- European umbrella push-down stopper 26
- **Fully finished for exposed installation** 01, 05, 07, 12, 50, 62
- Fits extra-thin sheet metal sinks
- Fits sinks up to 2-3/4" thick
- Fits 1-1/2" to 1-5/8" opening
- Uses 1-1/4" tailpiece
- Heavy brass construction



EXPOSED TUB SUPPLY KIT

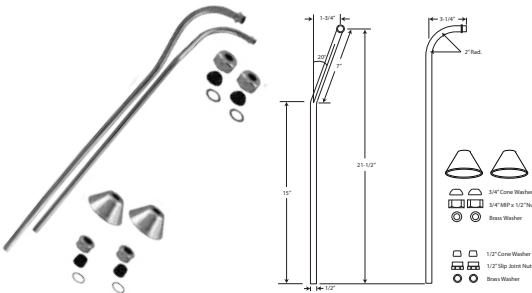
POLISHED BRASS (01 OR 03), POLISHED NICKEL (05), SATIN NICKEL (07), ANTIQUE COPPER (11), OIL RUBBED BRONZE (12), POLISHED CHROME(26), WHITE (50), AND FLAT BLACK (62)



Single Offset Bath Supply

D135-

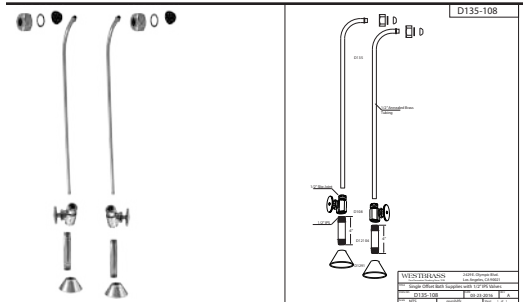
- Two 1/2" SJ nuts and washers 26
- Two 3/4" tub faucet nuts and washers 01, 05, 07, 11, 12
- Two 1/2" OD bell flanges
- Measures 1/2" OD x 22" long - trimmable
- **Fully finished for exposed installation**
- Use when H & C roughed-in at 4" centers



Double Offset Bath Supply

D136-

- Two 1/2" SJ nuts and washers 26
- Two 3/4" tub faucet nuts and washers 01, 05, 07, 11, 12
- Two 1/2" OD bell flanges
- Measures 1/2" OD x 22" long - trimmable
- **Fully finished for exposed installation**
- Use when H & C roughed-in at 8" centers

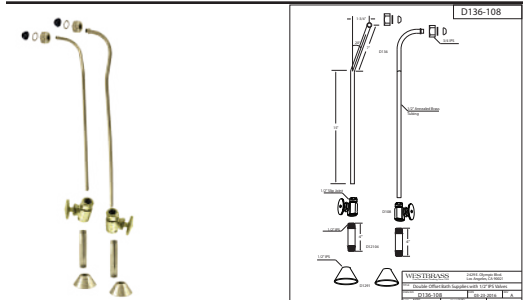


1/2" IPS Stops & Single Offset Bath Supply

D135-108-

- Single Offset Bath Supply D135- 26
- Two D108- 1/2" IPS x 1/2" Slip Joint 01, 05, 07, 11, 12
- Two D1291- 1/2" OD bell flanges
- Two D12104- 1/2" nipples

D135-108X- (Cross Handles)

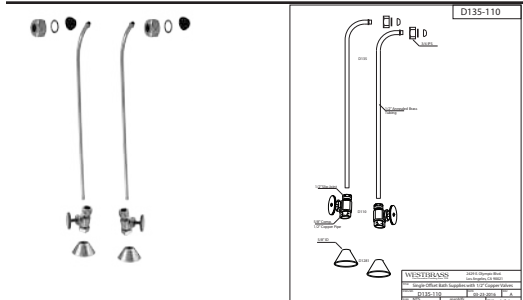


1/2" IPS Stops & Double Offset Bath Supply

D136-108-

- Dual Offset Bath Supply D136- 26
- Two D108- 1/2" IPS x 1/2" Slip Joint 01, 05, 07, 11, 12
- Two D1291- 1/2" OD bell flanges
- Two D12104- 1/2" nipples

D136-108X- (Cross Handles)

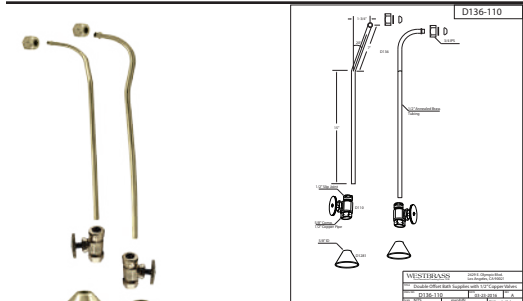


1/2" Copper Stops & Single Offset Bath Supply

D135-110-

- Single Offset Bath Supply D135- 26
- Two D110- 1/2" Copper x 1/2" Slip Joint 01, 05, 07, 12
- (5/8" Nominal Comp.)
- Two D1281- 5/8" OD bell flanges

D135-110X- (Cross Handles)



1/2" Copper Stops & Double Offset Bath Supply

D136-110-

- Dual Offset Bath Supply D136- 26
- Two D110- 1/2" Copper x 1/2" Slip Joint 01, 05, 07, 11, 12
- (5/8" Nominal Comp.)
- Two D1281- 5/8" OD bell flanges

D136-110X- (Cross Handles)

SHOWER ARMS WITH FLANGES

POLISHED BRASS (01 OR 03), POLISHED NICKEL (05), SATIN NICKEL (07), ANTIQUE COPPER (11), OIL RUBBED BRONZE (12), POLISHED CHROME(26), WHITE (50), AND FLAT BLACK (62)

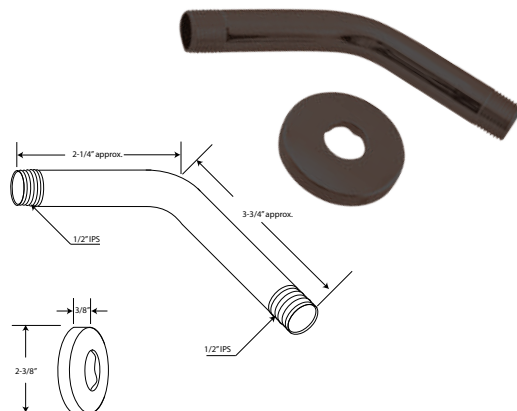
1/2" x 6" Shower Arm with Sure Grip Flange

D300-1-

- Wall mounted 6" shower arm with flange
- 2-1/2" diameter sure grip flange (D304)
- 1/2" IPS inlet and outlet
- 6" length arm
- Lead-free brass

26

01, 05, 07,
12, 50, 62



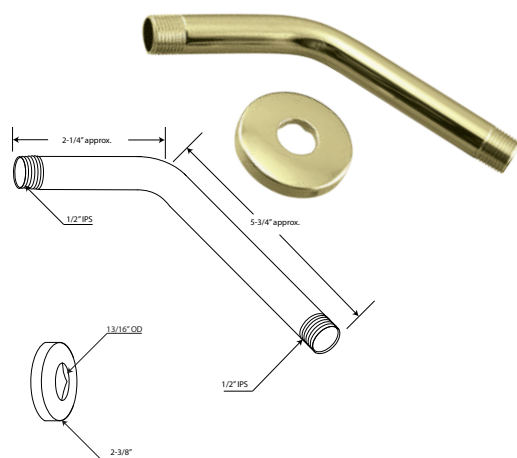
1/2" x 8" Shower Arm with Sure Grip Flange

D301-1-

- Wall mounted 8" shower arm with flange
- 2-1/2" diameter sure grip flange (D304)
- 1/2" IPS inlet and outlet
- 8" length arm
- Lead-free brass

26

01, 05, 07,
12, 50, 62



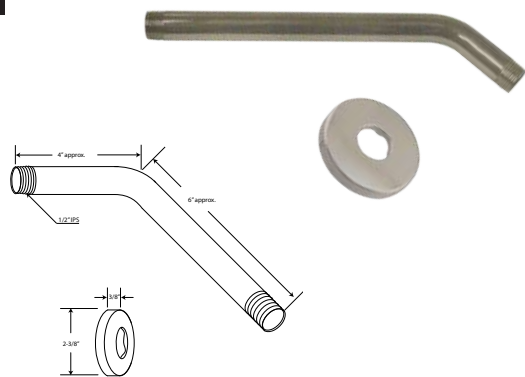
1/2" x 10" Shower Arm with Sure Grip Flange

D302-1-

- Wall mounted 10" shower arm with flange
- 2-1/2" diameter sure grip flange (D304)
- 1/2" IPS inlet and outlet
- 10" length arm
- Lead-free brass

26

01, 05, 07,
12, 50, 62



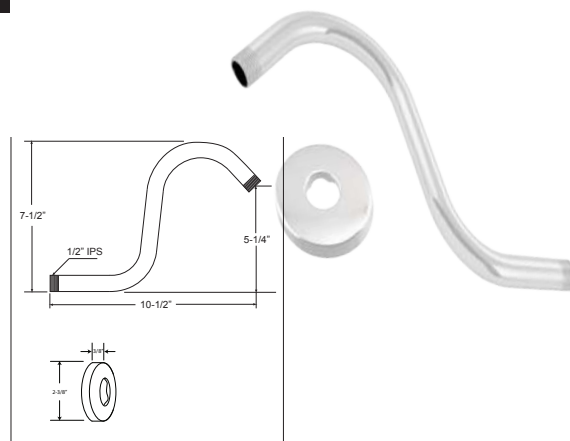
1/2" x 8" S-Shower Arm with Sure Grip Flange

D303-81-

- Wall mounted "S" shaped shower arm with flange
- 2-1/2" diameter sure grip flange (D304)
- 1/2" IPS inlet and outlet
- Arm raises shower head 8"
- Lead-free brass

26

01, 05, 07,
12, 50, 62



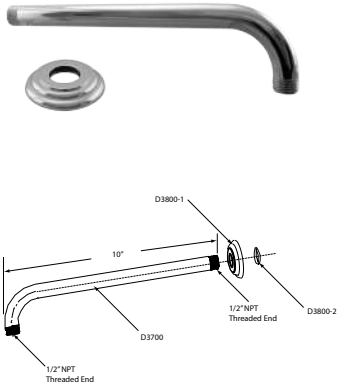
90° RAIN SHOWER ARMS

POLISHED BRASS (01 OR 03), POLISHED NICKEL (05), SATIN NICKEL (07), ANTIQUE COPPER (11), OIL RUBBED BRONZE (12), POLISHED CHROME(26), WHITE (50), AND FLAT BLACK (62)

1/2" x 10" 90° Rain Shower Arm & Flange

D3700-1- (formerly D3710)

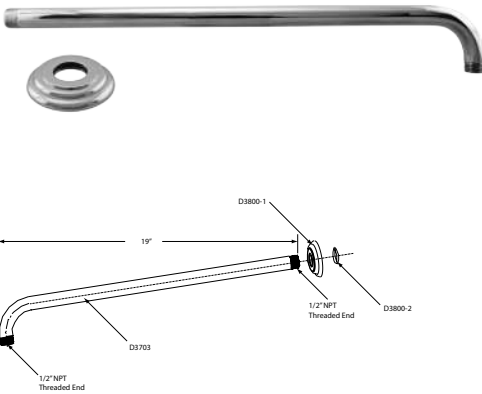
- Wall mounted 90-degree rain shower arm with decorative flange 26
- 1/2" male IPS inlet and outlet 01, 05, 07, 12
- 10" length arm
- Heavy duty decorative flange included (D3800)
- Lead-free brass



1/2" x 19" 90° Rain Shower Arm & Flange

D3703-1- (formerly D3719)

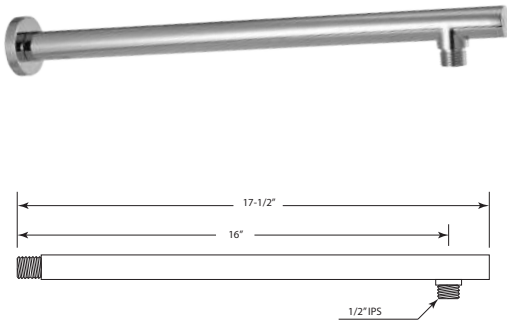
- Wall mounted 90-degree rain shower arm with decorative flange 26
- 1/2" male IPS inlet and outlet 01, 05, 07, 12
- 19" length arm
- Heavy duty decorative flange included (D3800)
- Lead-free brass



1/2" x 16" Round 90° Rain Shower Arm & Flange

D3711-

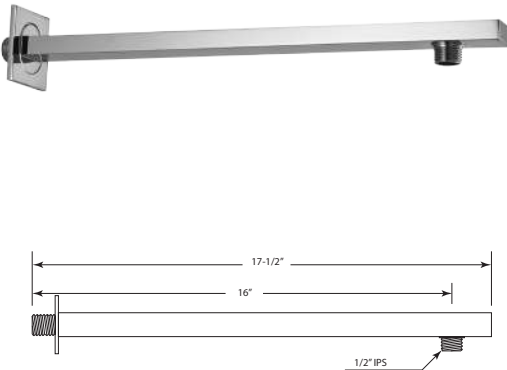
- Wall mounted 90-degree rain shower arm 26
- Round decorative flange 07
- 1/2" male IPS inlet and outlet
- 16" to outlet
- 17-1/2" overall length
- Round escutcheon included



1/2" x 16" Square 90° Rain Shower Arm & Flange

D3712-

- Wall mounted 90-degree rain shower arm 26
- Square decorative flange 07
- 1/2" male IPS inlet and outlet
- 16" to outlet
- 17-1/2" overall length
- Square escutcheon included



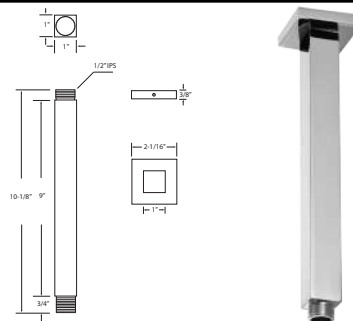
CEILING SHOWER ARMS & FLANGES

POLISHED BRASS (01 OR 03), POLISHED NICKEL (05), SATIN NICKEL (07), ANTIQUE COPPER (11), OIL RUBBED BRONZE (12), POLISHED CHROME(26), WHITE (50), AND FLAT BLACK (62)

Square Ceiling Shower Arm & Flange

D3609S-

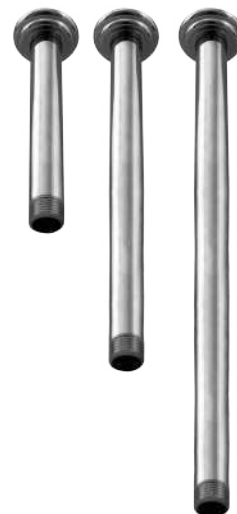
- 9" long square ceiling shower arm 26
- 1/2" male IPS inlet and outlet 07
- 1" square tube
- Set screw mounted zinc square flange
- Lead-free brass shower arm



1/2" Ceiling Arms with Heavy Duty Flanges

26 01, 05, 07, 12, 50, 62

- D3604A-** 1/2" x 4" ceiling arm & D3800 flange
- D3606A-** 1/2" x 6" ceiling arm & D3800 flange
- D3608A** 1/2" x 8" ceiling arm & D3800 flange
- D3612A-** 1/2" x 12" ceiling arm & D3800 flange
- D3619A-** 1/2" x 19" ceiling arm & D3800 flange
- D3624A-** 1/2" x 24" ceiling arm & D3800 flange
- D3636A-** 1/2" x 36" ceiling arm & D3800 flange
- D3648A-** 1/2" x 48" ceiling arm & D3800 flange



Chatham Style 2-1/4" Diameter Shower Head

D306-

- Chatham style small spray diverter shower head 26
- 2-1/4" diameter 03, 06, 12,
- 1/2" IPS inlet with pivot 50,
- 6 spray holes and 1-1/2" spray ring
- 2.5 gallons per minute restrictor



Adjustable Style 6-Jet Shower Head

D308-

- Medium spray diverter shower head 26
- 2-1/4" diameter 03, 05, 07,
- 1/2" IPS inlet with pivot 12
- 6 spray jets
- 2.5 gallons per minute with restrictor
- Adjusts from full spray to narrow stream
- Replaceable nozzles



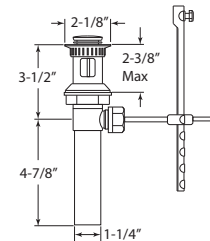
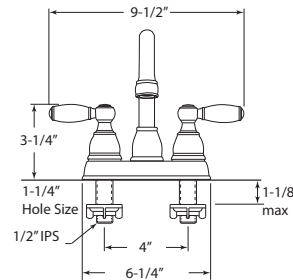
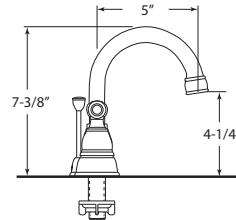
BATHROOM FAUCETS

POLISHED BRASS (01 OR 03), POLISHED NICKEL (05), SATIN NICKEL (07), ANTIQUE COPPER (11), OIL RUBBED BRONZE (12), POLISHED CHROME(26), WHITE (50), AND FLAT BLACK (62)



Hi-Arc 4" Centerset Lavatory Faucet WAS00X-

- Ergonomic blade handles for easy control 26
- Hi-Arc rotating spout for superior accessibility 07, 12
- 3-Hole, 4 inch centerset with pop-up
- ADA compliant
- Water efficient, meeting CALGreen standards
- Washerless cartridge application
- Maximum deck: 1 inch - 1-1/4 inch hole size



2-Handle Acrylic Non-Metallic 4" Centerset Pop-Up NM2BP-26

- 2 round acrylic handles for easy metering 26
- With pop-up assembly
- Low arc fixed spout
- Lead free non-metallic body
- Washerless cartridges for long life
- NSF 61.9 and UPC certified
- IAPMO listed



1-Handle Acrylic Non-Metallic 4" Centerset Pop-Up NM1BRP-26

- With pop-up assembly 26
- 1/2 inch IPS pipe inlets
- Mounts with gasket for a tight seal
- Easily fixes to sink with plastic nuts
- Aerator controlled for easy cleaning
- 2.2 GPM flow rate for water saving
- Fixed spout

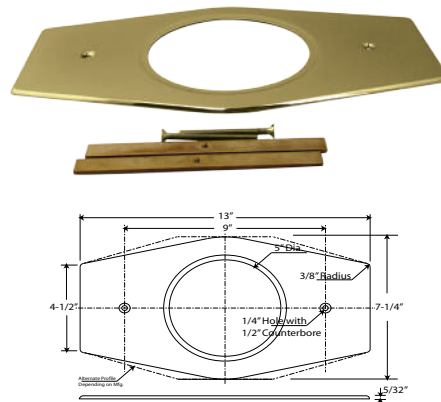
TUB AND SHOWER WALL COVER TRIMS

POLISHED BRASS (01 OR 03), POLISHED NICKEL (05), SATIN NICKEL (07), ANTIQUE COPPER (11), OIL RUBBED BRONZE (12), POLISHED CHROME(26), WHITE (50), AND FLAT BLACK (62)

1-Hole Remodel Plate for Moen and Delta

D502-

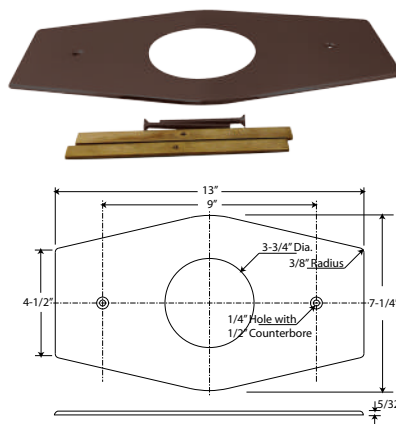
- 1-hole remodel plate 26
- Fits Moen and Delta single handle valves 03, 05, 07,
- Includes two screws and mounting bars 12, 50, 62,
- 13" overall width
- 7-1/2" at tallest point
- 9-1/2" screw-to-screw
- 5-1/2" diameter hole



1-Hole Remodel Plate for Mixet

D503-

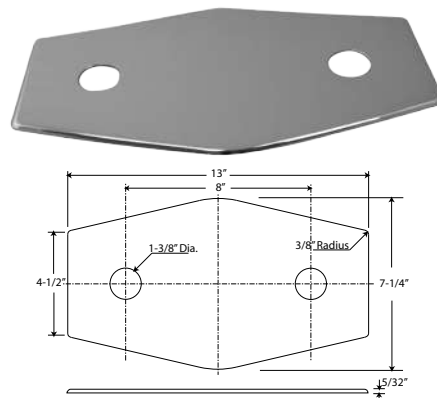
- 1-hole remodel plate 26
- Fits Mixet only 03, 05, 07,
- Includes two screws and mounting bars 12, 50, 62
- 13" overall width
- 7-1/2" at tallest point
- 9-1/2" screw-to-screw
- 3-3/4" diameter hole



2-Hole Remodel Plate

D504-

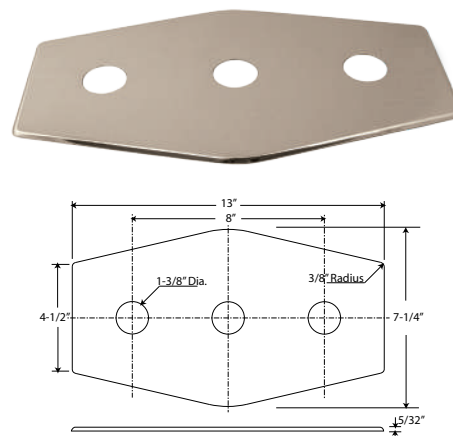
- 2-hole remodel plate 26
- Fits two valve unit 03, 05, 07,
- 13" overall width 12, 50, 62
- 7-1/2" at tallest point
- 1-1/2" diameter holes
- 8" center to center of holes



3-Hole Remodel Plate

D505-

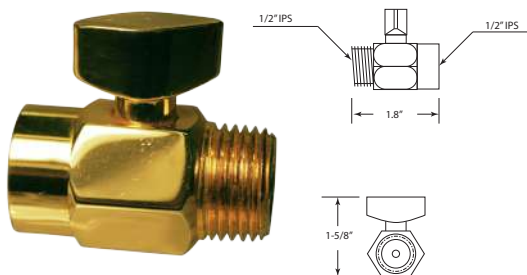
- 3-hole remodel plate 26
- Fits three valve unit with diverter 03, 05, 07,
- 13" overall width 12, 50, 62
- 7-1/2" at tallest point
- 1-1/2" diameter holes
- 8" center to center of outside holes



HAND SHOWER ACCESSORIES AND HOSES

POLISHED BRASS (01 OR 03), POLISHED NICKEL (05), SATIN NICKEL (07), ANTIQUE COPPER (11), OIL RUBBED BRONZE (12), POLISHED CHROME(26), WHITE (50), AND FLAT BLACK (62)

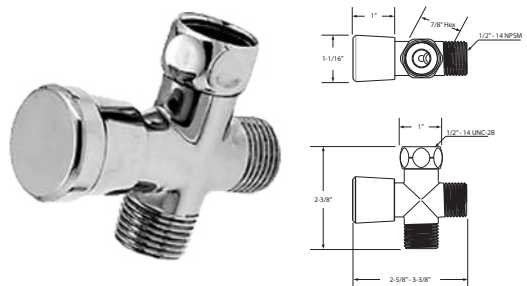
Shower Arm Volume Control



D309-

- 1/2" IPS female x 1/2" IPS male 26
- Adjusts flow from drizzle to full on 01, 05, 07,
- Drizzle protects from scalding - will not shut off 12, 50, 62
- Cannot be used as a positive shut off valve by law
- Excellent water saving device

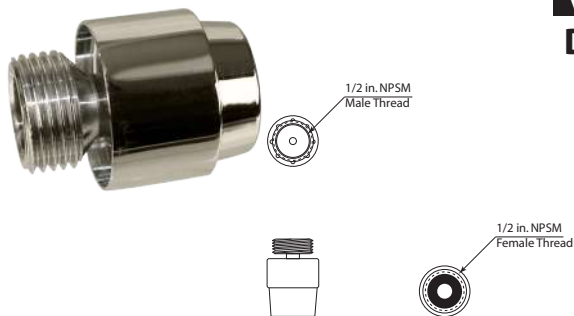
1/2" Diverter Valve for Shower Arm



D348-

- Diverter valve for shower arm 26
- 1/2" IPS inlet mounts to shower arm 01, 05, 07,
- 1/2" IPS outlet in front for shower head 12, 50, 62
- 1/2" IPS outlet on side for hand shower hose
- Slide switch selects between shower heads

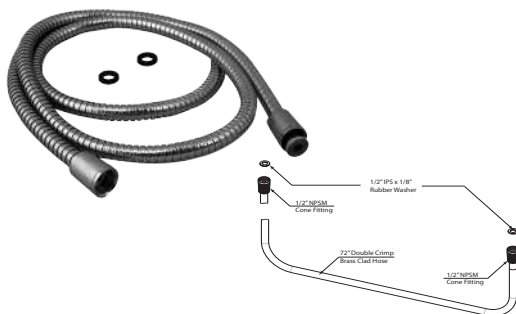
Vacuum Breaker for Hand Shower



D354-

- Hand shower vacuum breaker 26
- Simple inline design fits most hand showers 01, 05, 07,
- 1/2" female IPS inlet connects to shower wand 12
- 1/2" male IPS outlet connects to hose
- Prevents water supply contamination

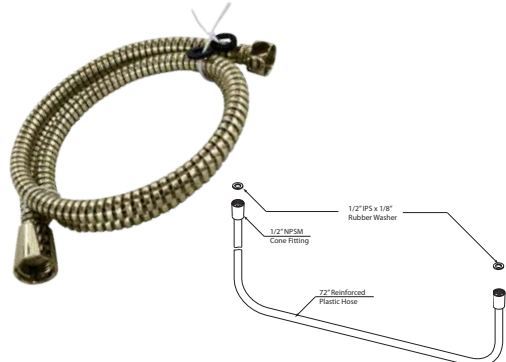
72" Brass Shower Hose



D355-

- Double-crimped brass hose exterior 26
- Knurled 1/2" cone fittings for secure mounting PLT
- PVC liner for maximum durability
- Polished chrome and Platinum only

72" Superflex Shower Hose

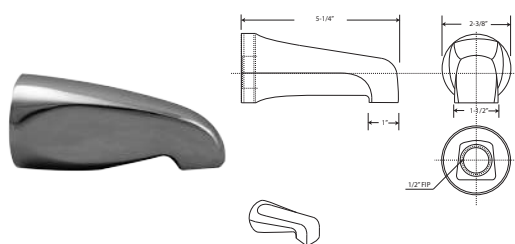


D355P-

- Easily cleaned smooth hose exterior PB
- 1/2" cone fittings for secure mounting SN
- Kink free hose with swivel ends
- Polished Brass and Satin Nickel only

POLISHED BRASS (01 OR 03), POLISHED NICKEL (05), SATIN NICKEL (07), ANTIQUE COPPER (11), OIL RUBBED BRONZE (12), POLISHED CHROME(26), WHITE (50), AND FLAT BLACK (62)

5-1/2" Brass Tub Spout

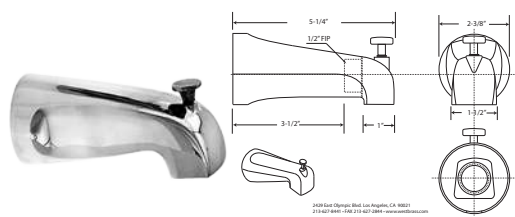


D310-

- Tub spout
- 5-1/2" reach
- Rear threads
- Fits 1/2" IPS
- Brass construction

26
03, 05, 07,
12, 50, 62

5" Brass Nose Diverter Tub Spout

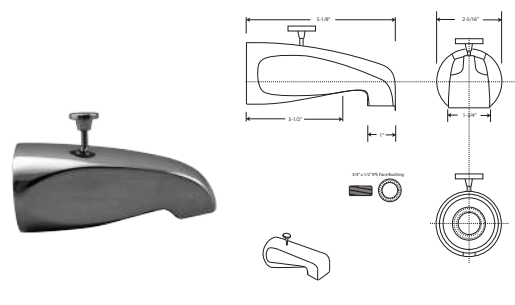


D311-

- Diverter tub spout
- 5" reach
- Nose threads
- Fits 1/2" IPS
- Brass construction

26
03 05, 07,
12, 50, 62

5-1/2" Brass Rear Diverter Tub Spout

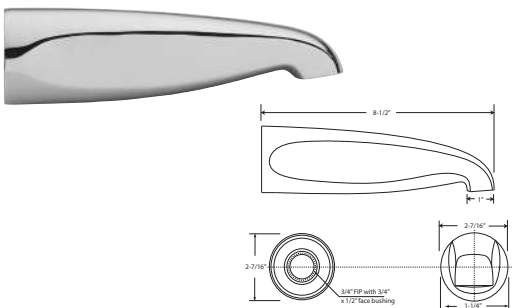


D3112-

- Tub spout
- 5-1/2" reach
- Rear threads
- Fits 1/2" IPS or 3/4" IPS with brass bushing
- Brass construction

26
03, 05, 07,
12, 50, 62

8-1/2" Brass Tub Spout

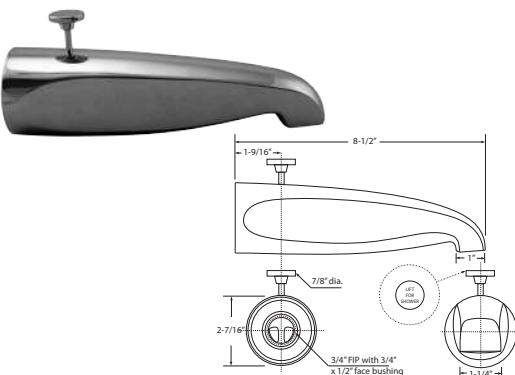


D3101-

- Tub spout
- 8-1/2" reach
- Rear threads
- Fits 1/2" IPS or 3/4" IPS with brass bushing
- Brass construction

26
03, 05, 07,
12, 50

8-1/2" Brass Rear Diverter Tub Spout



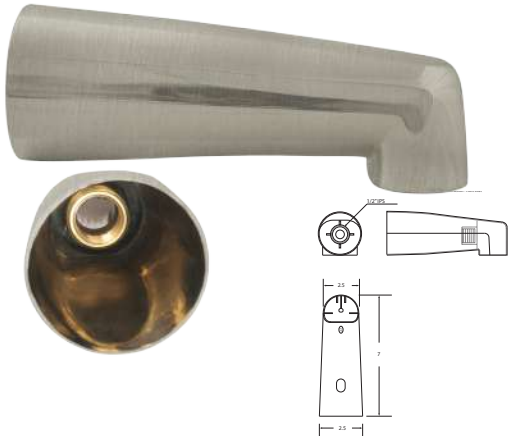
D3111-

- Diverter tub spout
- 8-1/2" reach
- Rear threads
- Fits 1/2" IPS or 3/4" IPS with brass bushing
- Brass construction

26
07, 62

7 INCH TUB SPOUTS

POLISHED BRASS (01 OR 03), POLISHED NICKEL (05), SATIN NICKEL (07), ANTIQUE COPPER (11), OIL RUBBED BRONZE (12), POLISHED CHROME(26), WHITE (50), AND FLAT BLACK (62)



7" Extended Tub Spout

E507-1F-

- Tub spout, 7 inch reach
- 1/2 in. IPS front threads
- Fits 1/2 in. nipple
- Zinc construction

26
05, 06, 12V

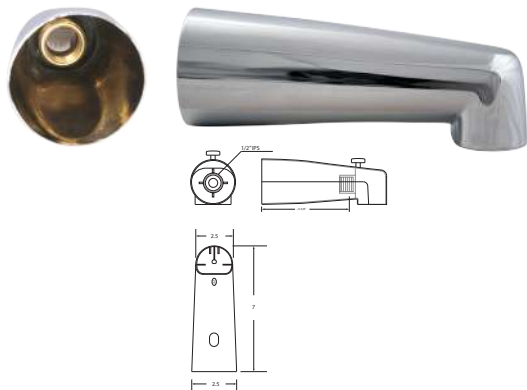


7" Extended Tub Spout for Copper Pipe

D5074-1F-

- Tub spout, 7 inch reach
- 1/2 in. copper nipple
- Fits 1/2 in. copper stub out
- Zinc construction

26

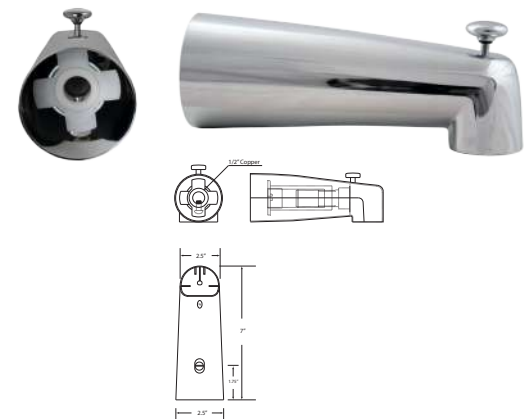


7" Extended Diverter Tub Spout

E507D-1F-

- Diverter tub spout, 7 inch reach
- 1/2 in. IPS front threads
- Fits 1/2 in. nipple
- Zinc construction

26



7" Extended Diverter Tub Spout for Copper

E5074D-1F-

- Diverter tub spout, 7 inch reach
- 1/2 in. copper nipple
- Fits 1/2 in. copper stub out
- Zinc construction

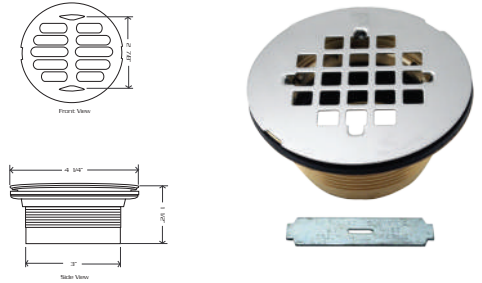
26

POLISHED BRASS (01 OR 03), POLISHED NICKEL (05), SATIN NICKEL (07), ANTIQUE COPPER (11), OIL RUBBED BRONZE (12), POLISHED CHROME(26), WHITE (50), AND FLAT BLACK (62)

Brass Compression Shower Drain

D206B-

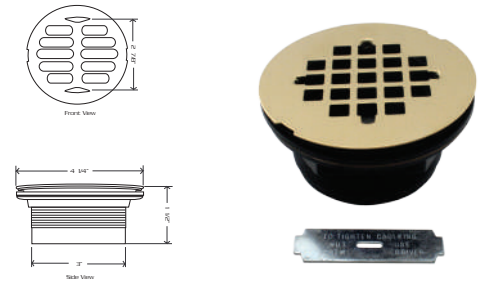
- Brass body shower drain 26
- Brass or stainless steel grate 01, 05, 07,
- Fits 2" ABS or PVC pipe 12, 50, 62
- Uses keyed rubber compression gasket
- Drain rim fully covered by grate



PVC Compression Shower Drain

D206P-

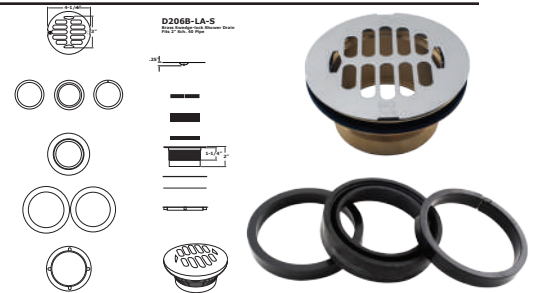
- Plastic body shower drain 26
- Brass or stainless steel grate 01, 05, 07,
- Fits 2" ABS or PVC pipe 12, 50, 62
- Uses keyed rubber compression gasket
- Drain rim fully covered by grate



Brass Swedge-Lock Shower Drain

D206B-LAS-

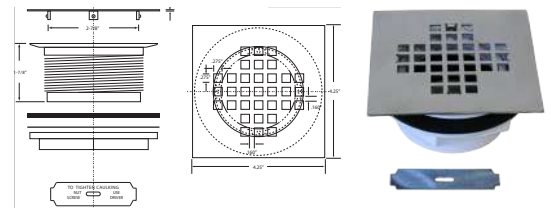
- Brass body shower drain 26
- Brass or stainless steel grate 01, 05, 07,
- Fits 2" ABS or PVC pipe 12, 50, 62
- Uses driven no-caulk rubber swedge lock
- Drain rim fully covered by grate



Square PVC Compression Shower Drain

D206PS-

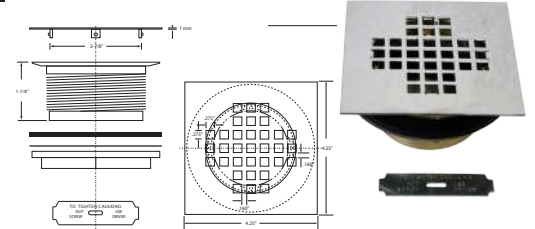
- Square brass grate pushes onto body 26
- Fits 2" ABS or PVC pipes 07, 12
- Uses keyed rubber compression gasket
- Drain rim fully covered by grate
- Solid brass grate and PVC body



Square Cast Brass Compression Shower Drain

D206BS-

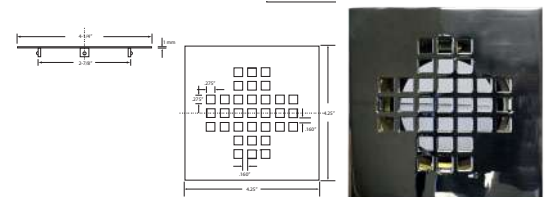
- Square brass grate pushes onto body 26
- Fits 2" ABS or PVC pipes 07, 12, 50
- Uses keyed rubber compression gasket
- Drain rim fully covered by grate
- Solid brass grate and body



Square Shower Drain Cover

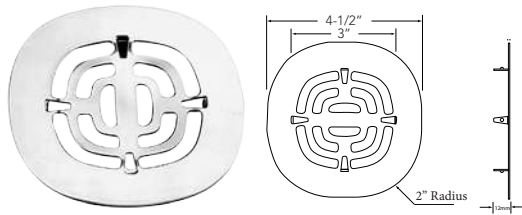
D206-SQG-

- Square solid brass grate pushes onto body 26
- Fits 2" 206-B drains 07, 12, 50



SHOWER DRAIN COVER TRIMS

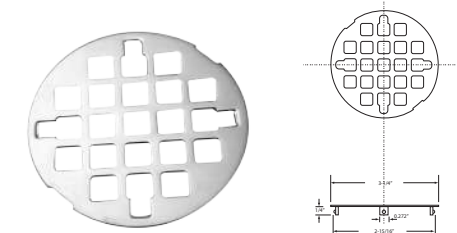
POLISHED BRASS (01 OR 03), POLISHED NICKEL (05), SATIN NICKEL (07), ANTIQUE COPPER (11), OIL RUBBED BRONZE (12), POLISHED CHROME(26), WHITE (50), AND FLAT BLACK (62)



Fiat Snap-in Shower Strainer

D316-

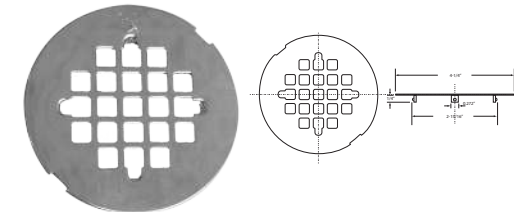
- Fiat style snap-in shower strainer 26
- 4-1/2" x 4-1/2" 03, 05, 07,
- 3-1/8" prong-to-prong 12, 50, 62
- Brass



Casper Snap-in Shower Strainer

D318-

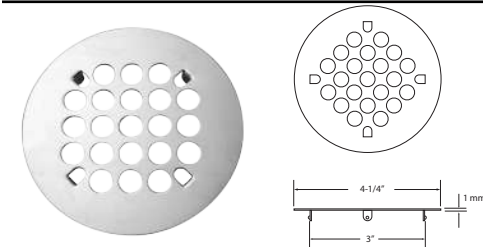
- Casper no. D109 style snap-in shower strainer 26
- 3-1/4" OD 03, 05, 07,
- 2-7/8" prong-to-prong 12, 50, 62
- Brass



Casper Snap-in Shower Strainer

D319-

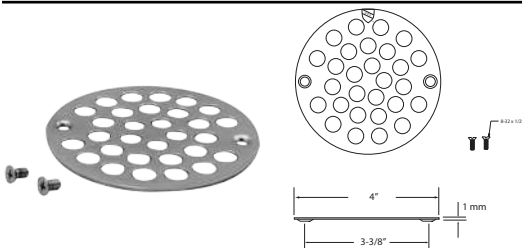
- Casper no. 129 style snap-in shower strainer 26
- 4-1/4" OD 03, 05, 07,
- 2-7/8" prong-to-prong 12, 50, 62
- Brass



Florestone Snap-in Shower Strainer

D3191-

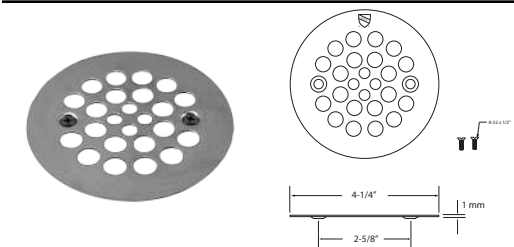
- Florestone style snap-in shower strainer 26
- 4-1/4" OD 03, 05, 07,
- 3" prong-to-prong 12, 50, 62
- Brass



Plastic Oddities Shower Strainer

D3192-

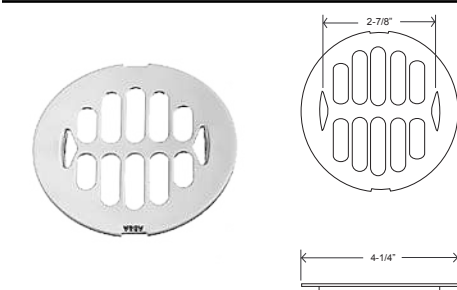
- Plastic Oddities style shower strainer 26
- Screws included 03, 05, 07,
- 4" OD 12, 50, 62
- 3-3/8" hole-to-hole



Plastic Oddities Shower Strainer

D3193-

- Plastic Oddities style shower strainer 26
- Screws included 03, 05, 07,
- 4-1/4" OD 12, 50, 62
- 2-5/8" hole-to-hole



AB&A Snap-in Shower Strainer

D3198-

- American Brass & Aluminum style snap-in shower strainer 26
- 4-1/4" OD 03, 05, 07,
- 2-7/8" prong-to-prong 12, 50, 62
- Brass

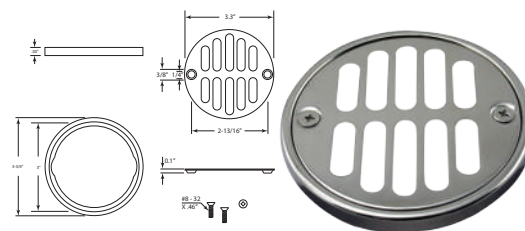
SHOWER DRAIN COVER TRIM

POLISHED BRASS (01 OR 03), POLISHED NICKEL (05), SATIN NICKEL (07), ANTIQUE COPPER (11), OIL RUBBED BRONZE (12), POLISHED CHROME (26), WHITE (50), AND FLAT BLACK (62)

Shower Strainer Set Grill & Crown

D312-

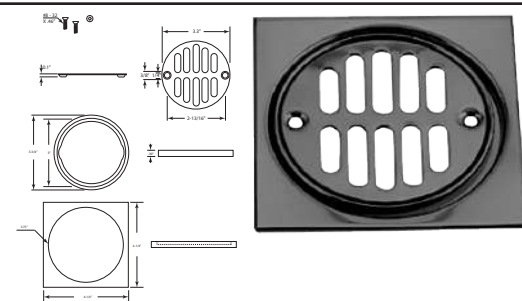
- Deluxe shower drain trim with screws 26
- 2-7/8" hole-to-hole in grate 03, 05, 07,
- 3-1/2" OD crown 12, 50, 62
- Fits Plumbing Products brand and similar 4T style drains



Shower Strainer Set with Tile Square

D313-

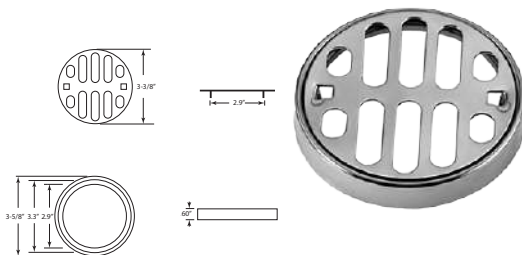
- Deluxe shower drain trim with screws 26
- 4-1/4" OD square 03, 05, 07,
- 2-7/8" hole-to-hole in grate 12, 50, 62
- 3-1/2" OD crown
- Fits Plumbing Products brand and similar 4T style drains



Snap-in Shower Strainer Grill & Crown

D317-

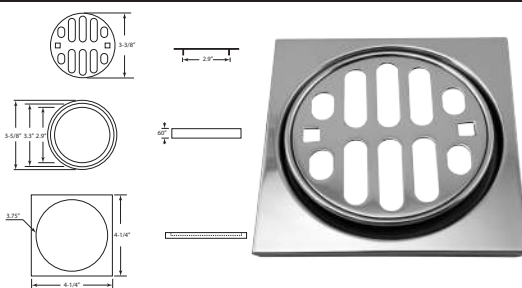
- Frank pattern deluxe shower drain trim with crown, and strainer 26
- 3-1/2" OD crown 03, 05, 07,
- 2-7/8" prong-to-prong of grate 12, 50, 62
- Brass



Snap-in Shower Strainer Grill, Crown & Square

D3171-

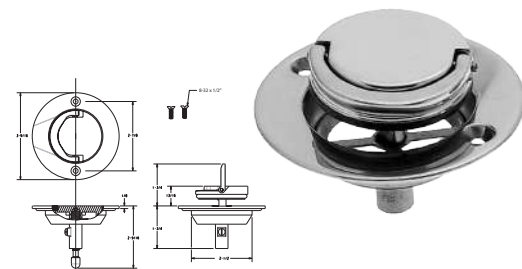
- Frank pattern deluxe shower drain trim with crown, square and strainer 26
- 4-1/4 in. outside square 03, 05, 07,
- 3-1/2" OD crown 12, 50, 62
- 2-7/8" prong-to-prong of grate
- Brass



Roman Tub Drain

D320-

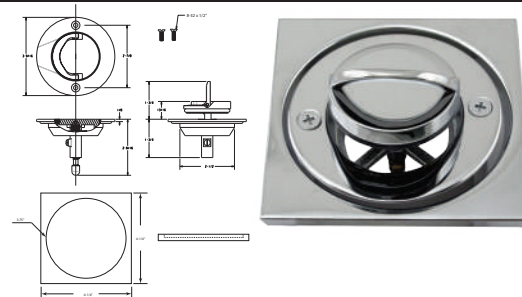
- Roman tub drain top only 26
- 2-7/8" hole center to center 03, 05, 07,
- Two 8-32 x 1/2" screws included 12, 62
- Solid brass
- Fits Oatey #151, Casper #140, and Plumbing Products EZ-Test 2 or equivalent drains



Roman Tub Drain with D315 Tile Square

D3201-

- Roman tub drain top only with tile square 26
- 2-7/8" hole center to center 03, 05, 07,
- Two 8-32 x 1/2" screws included 12
- 4-1/4" square (D315)
- Fits Oatey #151, Casper #140, and Plumbing Products EZ-Test 2 or equivalent drains



22" Linear Overflow Bath Waste

This exquisite brass drain features a linear overflow shape, allowing the tub to maintain that modern elegance reflected by true lines and curves. The tub drain uses a European tip-toe drain for a stylish, modern, and classic overflowing appearance.

Press drain to close, press again to open. 17 gauge brass tubes making this ideal for extra deep or very long tub runs. Finished trim - unfinished rough-in.

- 1-1/2 in. unfinished brass tubular bath waste assembly
- 22 in. maximum make-up with 17 gauge brass tubes
- European tip-toe push drain for tub closure
- Low profile for narrow tub rims
- Fits a standard bath drain with a linear overflow
- Finished trim - unfinished rough-in
- Includes 3 in. tailpiece, cast brass tee and elbows
- ADA approved drain closure



Satin Nickel
07



Oil Rubbed
Bronze 12



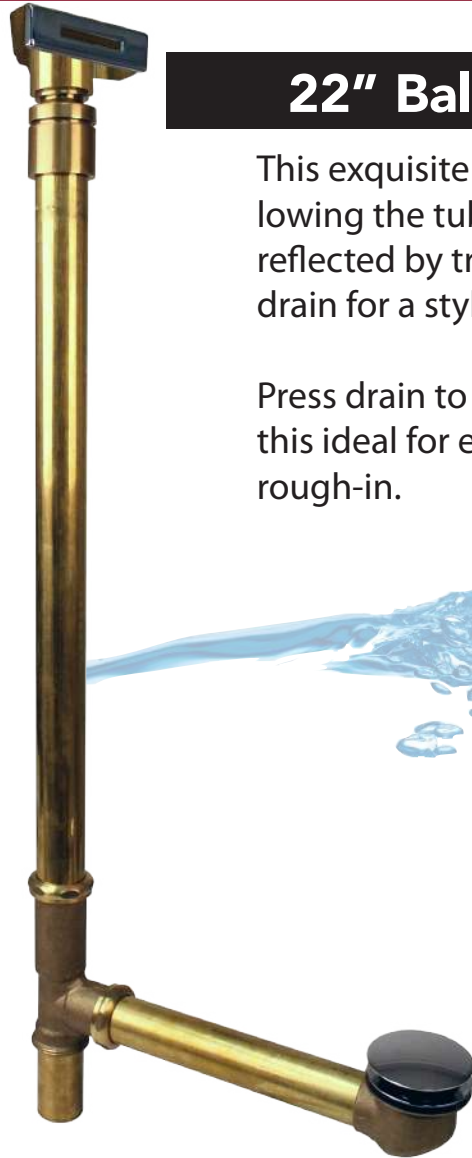
Polished
Chrome 26



22" Ball Joint Linear Overflow Bath Waste

This exquisite brass drain features a linear overflow with Ball Joint, allowing the tub to effectively seal and maintain that modern elegance reflected by true lines and curves. The tub drain uses a European tip-toe drain for a stylish, modern, and classic overflowing appearance.

Press drain to close, press again to open. 17 gauge brass tubes making this ideal for extra deep or very long tub runs. Finished trim - unfinished rough-in.



- 1-1/2 in. unfinished brass tubular bath waste assembly
- 22 in. maximum make-up with 17 gauge brass tubes
- European tip-toe push drain for tub closure
- Low profile for narrow tub rims
- Fits a standard bath drain with a linear overflow
- Finished trim - unfinished rough-in
- Includes 3 in. tailpiece, cast brass tee and elbows
- ADA approved drain closure



Satin Nickel
07



Oil Rubbed
Bronze 12



Polished
Chrome 26



22" Fully Finished Linear Balljoint Tip-Toe Bath Waste & Overflow

The Linear bathwaste overflow by Westbrass features a sleek, linear overflow cover which beautifully finishes the inside of the tub rim. The ADA approved toe tap drain is easy to operate; press once to close, and again to open the drain. This drain type is the easiest to use for all bathers.

Fully finished on its exterior, this drain is designed to stand out and accent the bathing well for all exposed installations. The finished ball joint allows the overflow elbow to neatly meet the exterior of the tub, and the hidden screws make the exterior look truly elegant.



- Fully exposed bath waste ball joint elbow
- Concealed silicone gasket familiar to plumbers
- Low profile for narrow tub rims
- Overflow plate seals to bathtub using concealed screws for polished appearance
- Ball joint flexes to a wide variety of angles for perfect installations
- ADA approved oversized tip-toe drain stopper for easy use
- 6 in. finished tailpiece trims to floor using a hi-box flange for easier installation



Satin Nickel
07



Oil Rubbed
Bronze 12



Polished
Chrome 26



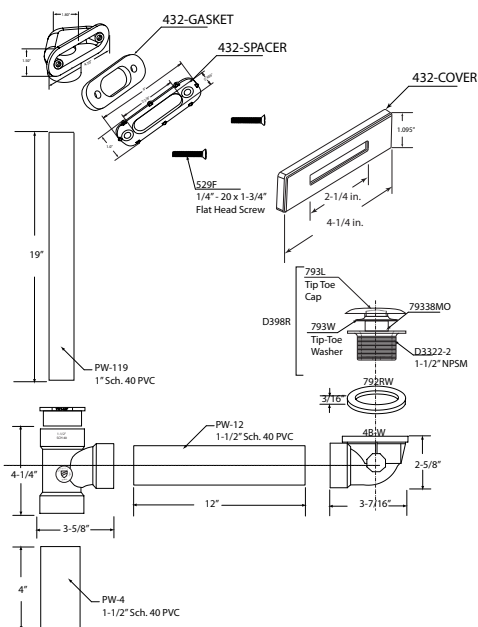
LINEAR OVERFLOW LOW PROFILE

POLISHED BRASS (01 OR 03), POLISHED NICKEL (05), SATIN NICKEL (07), ANTIQUE COPPER (11), OIL RUBBED BRONZE (12), POLISHED CHROME(26), WHITE (50), AND FLAT BLACK (62)

Linear Sch 40 PVC Waste & Overflow

D493244SLD-

- 22-1/2" maximum make-up tub waste
- 1" overflow tube with linear spacer
- ADA approved tip-toe drain trim for easy sealing
- Sleek, oversized tip-toe cover
- Includes 19", 12" and 4" cut able pipes

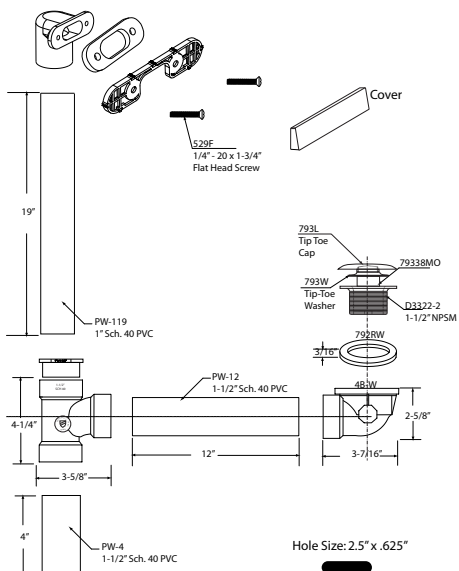


HEAD SHOT

Linear Sch 40 PVC Hidden Waste & Overflow

493244HLD-

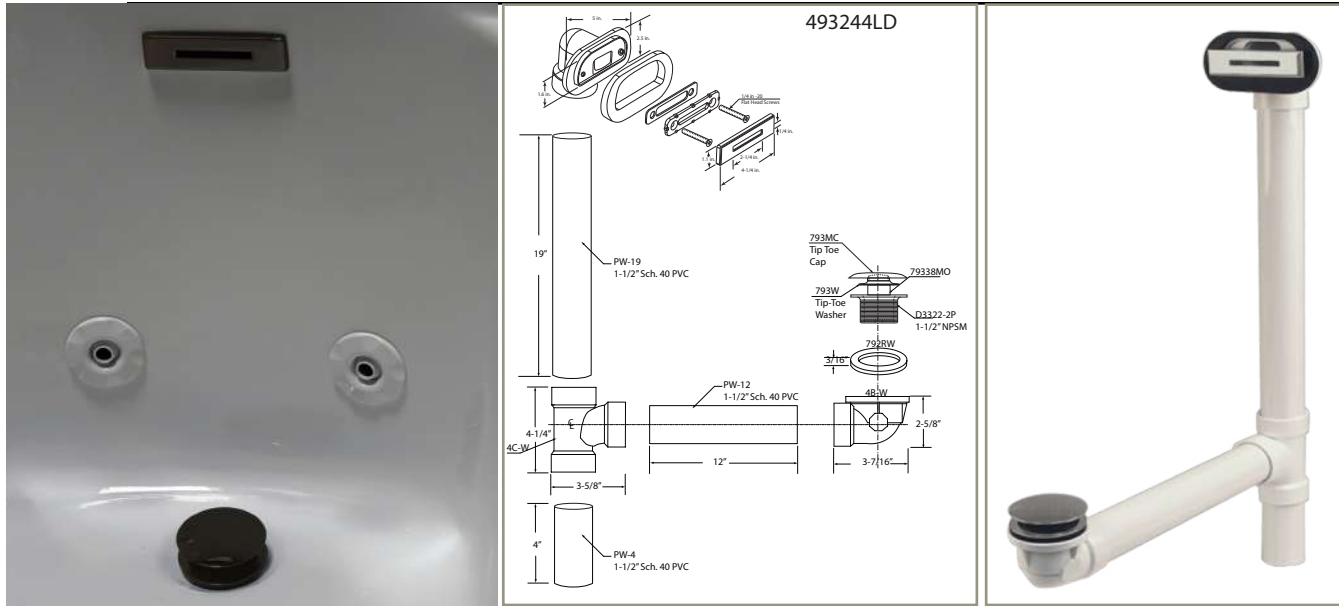
- 22-1/2" maximum make-up tub waste
- 1" overflow tube with linear spacer
- Hidden overflow for a stylish appearance
- ADA approved tip-toe drain trim for easy sealing
- Sleek, oversized tip-toe cover
- Includes 19", 12" and 4" cut able pipes



HEAD SHOT

SPECIALIZED DRAINS

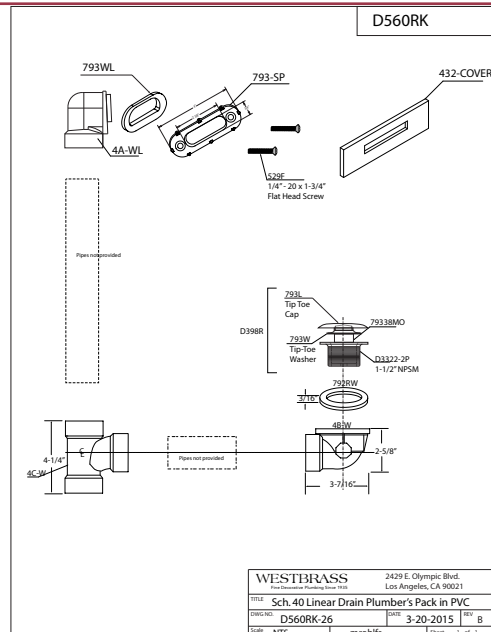
POLISHED BRASS (01 OR 03), POLISHED NICKEL (05), SATIN NICKEL (07), ANTIQUE COPPER (11), OIL RUBBED BRONZE (12), POLISHED CHROME(26), WHITE (50), AND FLAT BLACK (62)



Linear Overflow Sch 40 Bath Waste & Overflow

D493244LD-

- Stylish, Modern, Linear Drain
- Classic, clean overflow appearance
- Modern styling fits today's hi-end tubs
- 3/8 x 3-1/2 inch tub groove required
- Solvent weld using Primer and PVC Cement
- European tip-toe push drain for tub closure
- Easy to use, press once to close and again to open
- ADA approved drain closure
- Sch. 40 PVC non-corroding pipe
- Glue in pipe with finished trim



Linear Overflow Sch 40 Plumber's Pack

D560RK-

- Stylish, Modern, Linear Drain
- Classic, clean overflow appearance
- Modern styling fits today's hi-end tubs
- 3/8 x 3-1/2 inch tub groove required
- Solvent weld using Primer and PVC Cement
- European tip-toe push drain for tub closure
- Easy to use, press once to close and again to open
- ADA approved drain closure
- Sch. 40 PVC non-corroding pipe
- Sch. 40 pipe not included

Patented Deep Soak-Closing Overflow

This exquisite PVC drain features a closing overflow, allowing the tub to be, "over-filled" for that **extra deep soak**; required to ease both mind and body.

The drain can be used in 3 ways. Fill your tub and use as normal overflow (Fig. 1). Rotate the overflow once and your tub can fill higher (Fig. 2). Rotate again, and the water can completely cover the overflow for the ultimate in luxurious bathing (Fig. 3). The tub drain uses

a European tip-toe drain. Easy to use: press once to close and again to open. Sch. 40 PVC non-corroding fittings and pipes glue together for complete adjustability, making this ideal for extra deep or very long runs.



Figure 1

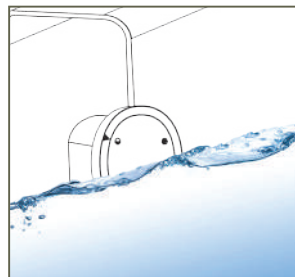


Figure 2

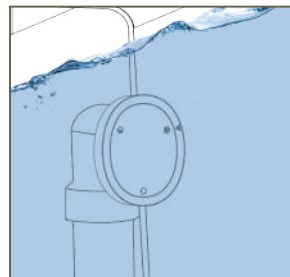


Figure 3

- 1-1/2 in. Sch. 40 PVC pipes and fittings
- European tip-toe push drain for tub closure
- Fits standard tub openings
- Glue in pipe with finished trim
- Rotating overflow for extra-deep tub soak
- ADA approved drain closure
- No-hole round overflow faceplate



Satin Nickel
07



Oil Rubbed
Bronze 12



Polished
Chrome 26



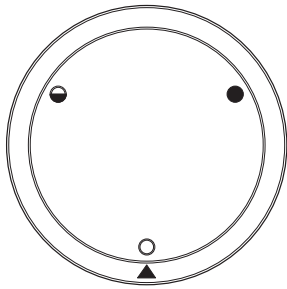
Powder Coat
White 50



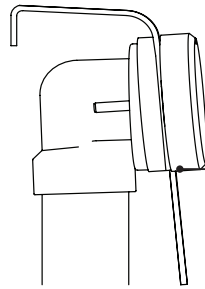
PATENTED DEEP SOAK OPERATION

Drain Operation Fonctionnement du drain Operación de drenaje

Step 1 Étape Paso

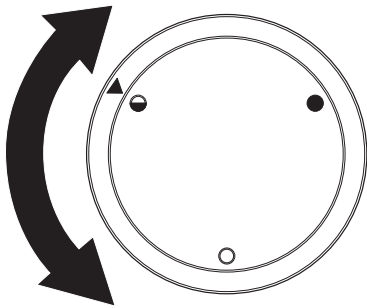


For a Normal Soak; position the handle so that the arrow is as shown below.
Pour une imprégnation normal position la poignée afin que la flèche est comme indiqué ci-dessous.
Para una posición normal emparar la palanca para que la flecha como se muestra a continuación.

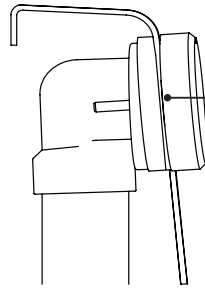


Normal Soak Water Level.
Normal trempez niveau de l'eau.
Remoje normal Nivel de agua.

Step 2 Étape Paso

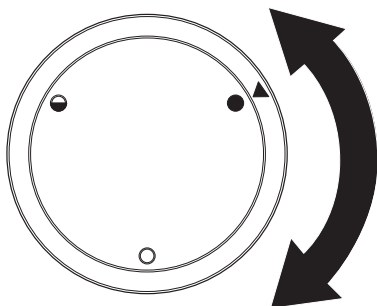


For a Deeper Soak; position the handle so that the arrow is as shown below.
Pour une profonde trempez position la poignée afin que la flèche est comme illustré ci-dessous.
Para obtener una posición profunda emparar la palanca para que la flecha como se muestra a continuación.



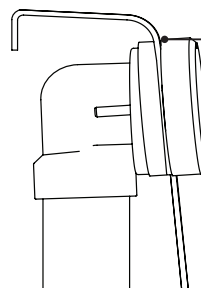
Deep Soak Water Level.
Profonde trempez niveau de l'eau.
Remoje profundo nivel de agua.

Step 3 Étape Paso



To close the Overflow position the handle so that the arrow is as shown below.
Pour fermer le débordement tendre la poignée afin que la flèche est comme indiqué ci-dessous.
Para cerrar el desbordamiento punto-cue la manija para que la flecha como se muestra a continuación.

Do not fill the bathtub up to the Overflow Closed position, then get into the bath. You can displace the water and cause water damage.
Ne pas remplir la baignoire jusqu'à la position fermée de dépassement de capacité, puis obtenir dans la baignoire. Vous pouvez déplacer l'eau et entraîner dommages causés par l'eau.
No se debe llenar la bañera hasta el desbordamiento punto-cue cerrado, a continuación, entrar en el baño. Puede desplazar el agua y causar daños causados por el agua.



Overflow Closed Water Level.
Dépassement de niveau d'eau fermée.
Desbordamiento Cerrado Nivel del Agua.

Deep Soak Brass with Tip-Toe Overflow

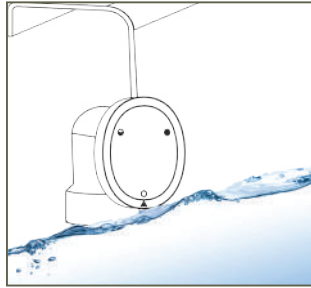


Figure 1

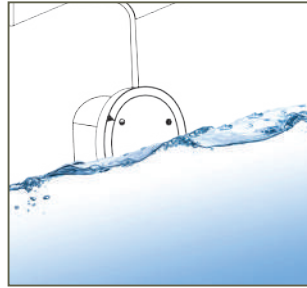


Figure 2

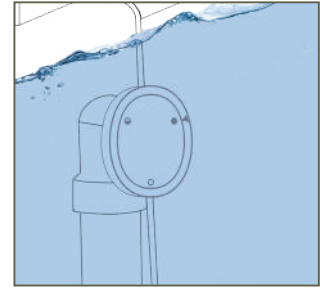


Figure 3

- Rotating overflow for extra-deep tub soak
- Turn once to partially close and again to completely close the overflow
- Overflow plate seals to bathtub using concealed screws for a more polished appearance.
- ADA approved oversized tip-toe drain stopper for easy use, press once to close and again to open drain.

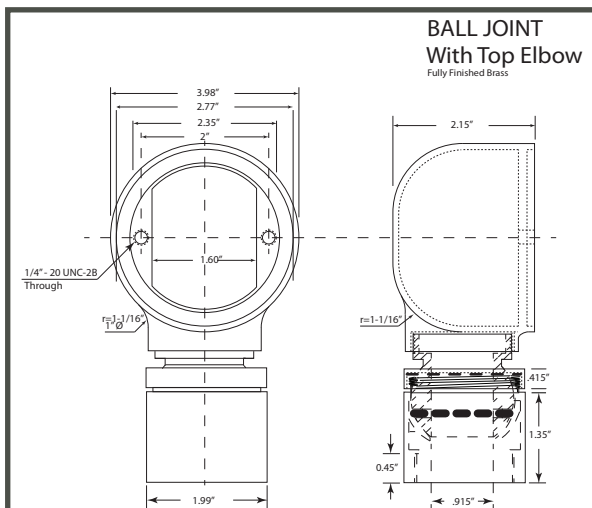
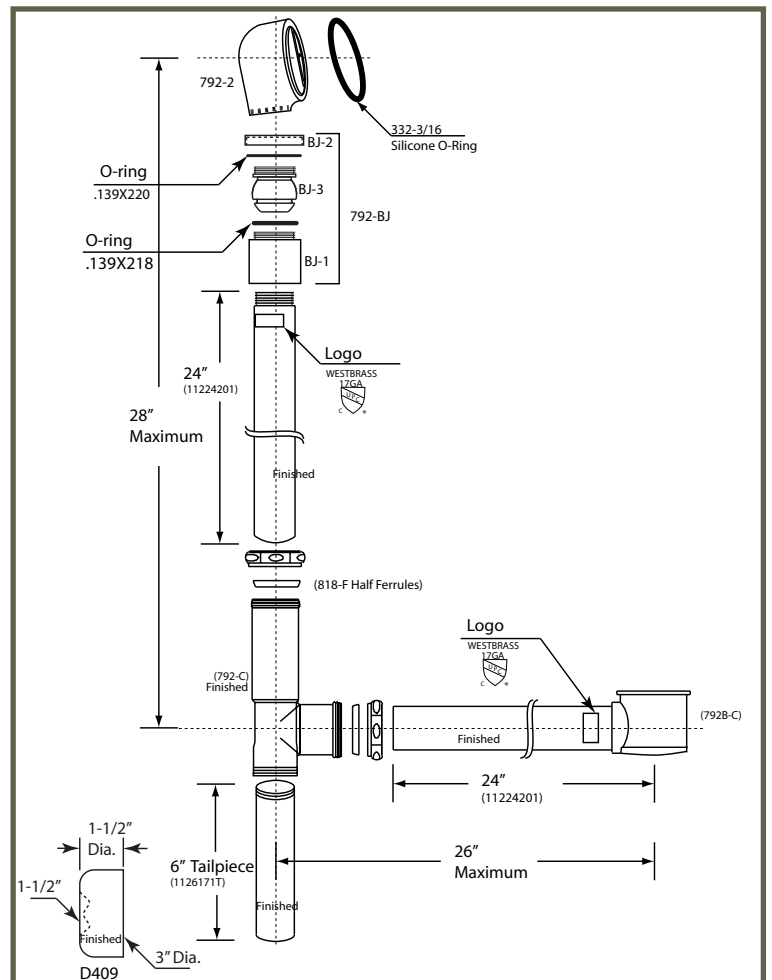
Satin Nickel
07Oil Rubbed
Bronze 12Polished
Chrome 26Powder Coat
White 50

BALL JOINT OVERFLOW FOR FULLY FINISHED INSTALLATIONS



- Fully exposed bathwaste & balljoint elbow
- Fits 1-1/2 in. finished brass tubing
- Low profile for narrow tub rims and tight spaces
- Concealed gasket installation familiar to most plumbers
- Fits single hole or dual hole installations with adapter
- Compression seal using ferrules
- Uses the no-hole illusionary overflow cover
- Can use single or dual hole covers
- Flexes to a wide variety of angles to fit most tubs

*Greater Flexibility
A Sleek Design for All
Exposed Installations*

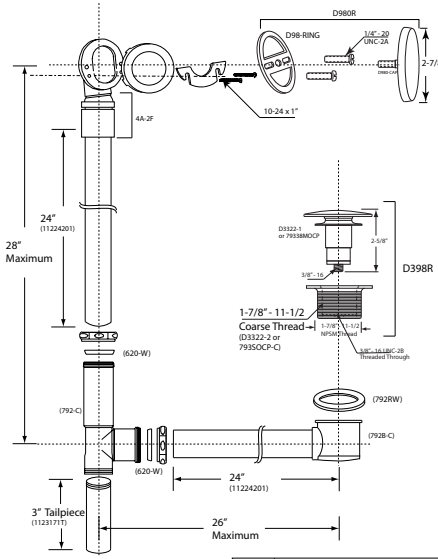


BRASS TIP-TOE WITH BALL JOINT

28" Illusionary Tip-Toe with Ball Joint

D326HBJ- (7982420HBJ)

- 28" maximum make-up tub waste 26
- Ball Joint for overflow adjustability 05, 07,
- Illusionary faceplate - No Holes 12, 50,
- 1-1/2" oversized tip-toe drain plug 62
- ADA approved drain plug
- Trim parts finished & includes 3" tailpiece
- 17 ga. brass tubes & cast brass fittings

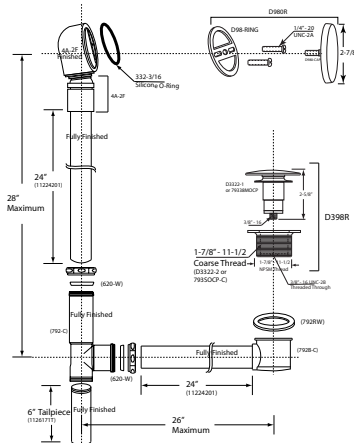


Meets ADA Requirements for Accessibility

28" Finished Illusionary Tip-Toe with Ball Joint

D326124HKBJ-

- 28" maximum make-up tub waste 26
- 24" trimmable overflow and waste tube 05, 07,
- Ball Joint for overflow adjustability 12, 50,
- Elbow hides overflow screws - finished look 62
- Illusionary faceplate - No Holes
- 1-1/2" oversized tip-toe drain plug
- ADA approved drain plug
- Fully finished, includes 6" tailpiece & flange
- 17 ga. brass tubes & cast brass fittings



Meets ADA Requirements for Accessibility

SEMI-EXPOSED BRASS BATH WASTE

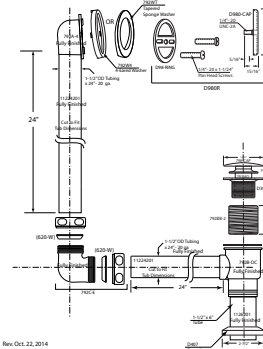
POLISHED BRASS (01 OR 03), POLISHED NICKEL (05), SATIN NICKEL (07), ANTIQUE COPPER (11), OIL RUBBED BRONZE (12), POLISHED CHROME(26), WHITE (50), AND FLAT BLACK (62)



Semi-Exposed Tip-Toe Direct Connect

7932420HRDC-

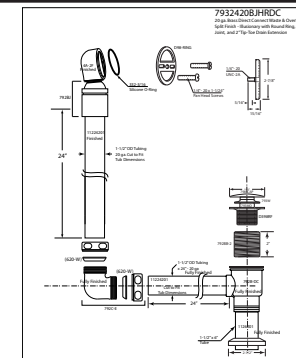
- 24" maximum make-up tub waste
- 1-1/2" tip-toe drain plug
- Illusionary faceplate - No-holes
- Semi-Exposed style
- All exposed parts finished
- 17 gauge brass for under floor drain
- Includes high box flange for arm



Semi-Exposed Balljoint Tip-Toe D.C.

7932420BJHRDC-

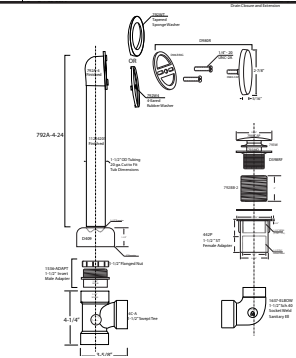
- 24" maximum make-up tub waste
- 1-1/2" tip-toe drain plug
- Illusionary faceplate - No-holes
- Semi-Exposed style
- All exposed parts finished
- 17 gauge brass for under floor drain
- Includes high box flange for arm



Semi-Exposed Tip-Toe BW&O

493144HRH-

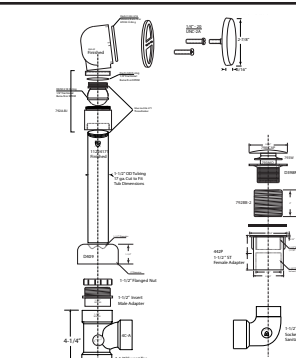
- 22-1/2" maximum make-up tub waste
- 1-1/2" tip toe drain plug
- Illusionary faceplate - No Holes
- Semi-exposed style
- All exposed parts finished
- ABS under floor drain
- 17 gauge exposed brass tube
- ABS pipe not included



Semi-Exposed Balljoint Tip-Toe BW&O

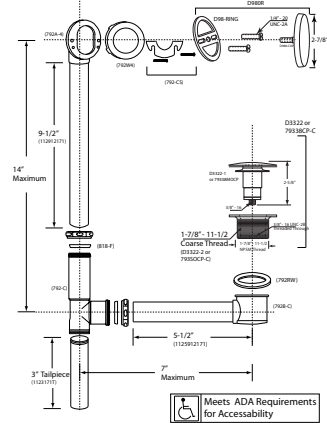
493144HRHBJ-

- 22-1/2" maximum make-up tub waste
- 1-1/2" tip toe drain plug
- Illusionary faceplate - No Holes
- Semi-exposed style
- All exposed parts finished with balljoint
- ABS under floor drain
- 17 gauge exposed brass tube
- ABS pipe not included



ILLUSIONARY BRASS BATH WASTE & OVERFLOW

POLISHED BRASS (01 OR 03), POLISHED NICKEL (05), SATIN NICKEL (07), ANTIQUE COPPER (11), OIL RUBBED BRONZE (12), POLISHED CHROME(26), WHITE (50), AND FLAT BLACK (62)

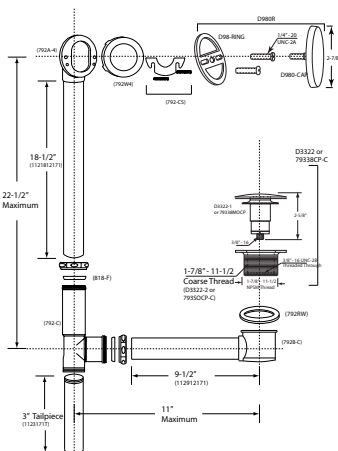


14" Illusionary Tip-Toe

D325H- (79317H-)

- 14" maximum make-up tub waste
- Illusionary faceplate - No Holes
- 1-1/2" oversized tip-toe drain plug
- ADA approved closure
- Trim parts finished
- Includes 3" tailpiece
- 17 ga. brass tubes
- Cast brass tee and elbows

26
05, 07,
12, 50,
62

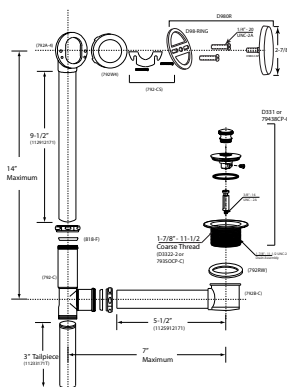


22" Illusionary Tip-Toe

D326H- (7931817H-)

- 22-1/2" maximum make-up tub waste
- Illusionary faceplate - No Holes
- 1-1/2" oversized tip-toe drain plug
- ADA approved closure
- Trim parts finished & includes 3" tailpiece
- 17 gauge brass tubes
- Cast brass tee and elbows

26
05, 07,
12, 50,
62

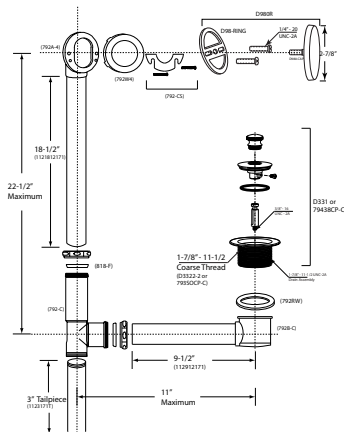


14" Illusionary Lift & Turn

D321H- (79417H-)

- 14" maximum make-up tub waste
- 1-1/2" lift & turn plug
- Illusionary faceplate - No Holes
- Trim parts finished
- Includes 3" tailpiece
- 17 gauge brass tubes
- Cast brass tee and elbows

26
05, 07,
12, 50,
62



22" Illusionary Lift & Turn

D322H- (7941817H-)

- 22-1/2" maximum make-up tub waste
- 1-1/2" lift & turn plug
- Illusionary faceplate - No Holes
- Trim parts finished
- Includes 3" tailpiece
- 17 gauge brass tubes
- Cast brass tee and elbows

26
05, 07,
12, 50,
62

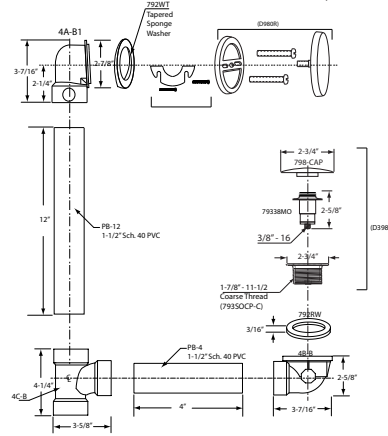
ILLUSIONARY SCH. 40 WASTE & OVERFLOWS

POLISHED BRASS (01 OR 03), POLISHED NICKEL (05), SATIN NICKEL (07), ANTIQUE COPPER (11), OIL RUBBED BRONZE (12), POLISHED CHROME(26), WHITE (50), AND FLAT BLACK (62)

ABS Illusionary Tip-Toe

493144H-

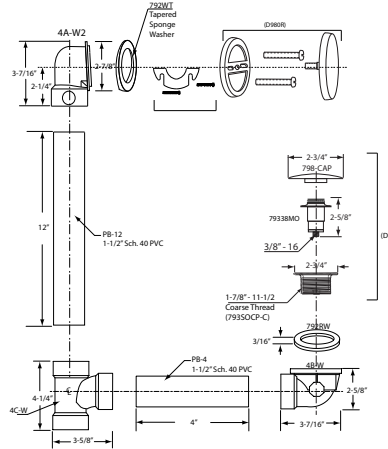
- 14" maximum make-up tub waste 26
- Illusionary faceplate - No Holes 05, 07,
- 1-1/2" oversized tip-toe drain plug 12, 50,
- ADA approved stopper 62
- Trim parts finished
- Includes 4" tailpiece
- Sch. 40 ABS tee, pipe and elbows



PVC Illusionary Tip-Toe

493244H-

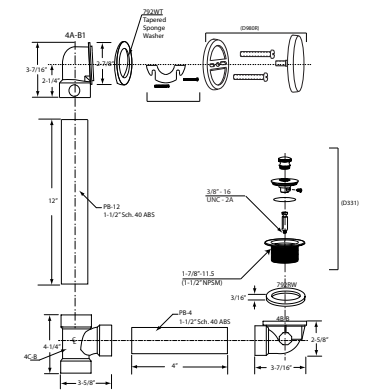
- 14" maximum make-up tub waste 26
- Illusionary faceplate - No Holes 05, 07,
- 1-1/2" oversized tip-toe drain plug 12, 50,
- ADA approved stopper 62
- Trim parts finished
- Includes 4" tailpiece
- Sch. 40 PVC tee, pipe and elbows



ABS Illusionary Lift & Turn

494144H-

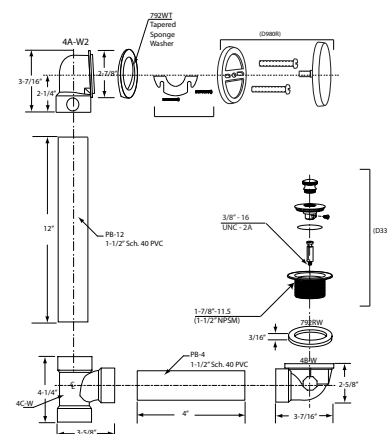
- 14" maximum make-up tub waste 26
- Illusionary faceplate - No Holes 05, 07,
- 1-1/2" pull & drain plug 12, 50
- Positive drain seal
- Trim parts finished
- Includes 4" tailpiece
- Sch. 40 ABS tee, pipe and elbows



PVC Illusionary Lift & Turn

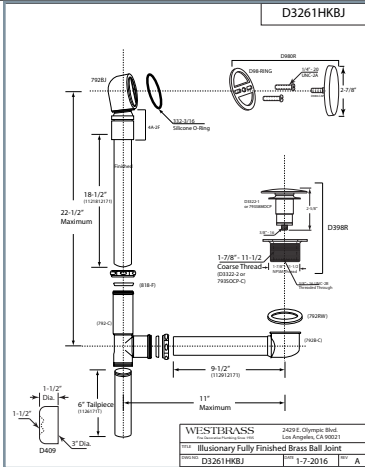
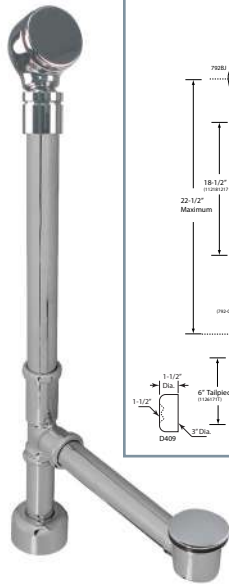
494244H-

- 14" maximum make-up tub waste 26
- Illusionary faceplate - No Holes 05, 07,
- 1-1/2" pull & drain plug 12, 50
- Positive drain seal
- Trim parts finished
- Includes 4" tailpiece
- Sch. 40 PVC tee, pipe and elbows



ALL EXPOSED ILLUSIONARY BRASS BATH WASTE

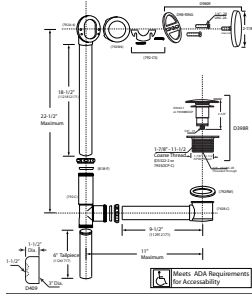
POLISHED BRASS (01 OR 03), POLISHED NICKEL (05), SATIN NICKEL (07), ANTIQUE COPPER (11), OIL RUBBED BRONZE (12), POLISHED CHROME(26), WHITE (50), AND FLAT BLACK (62)



22" All Exposed Illusionary Tip-Toe

D3261HKBJ-

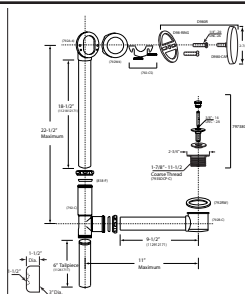
- 22-1/2" maximum make-up - 17 gauge brass tubes 26
- Oversized tip-toe drain plug for sleek coverage 03, 05,
- ADA approved drain closure 07, 12,
- Illusionary faceplate - No ugly holes 50, 62
- All exposed style with all parts finished
- Includes 6" tailpiece
- High box sure-grip flange for base
- Cast brass drain elbow, tee and nuts
- Machined brass ball-joint adjusts to any tub
- Cast brass overflow elbow with hidden silicone washer



22" All Exposed Illusionary Tip-Toe

D3261HK-

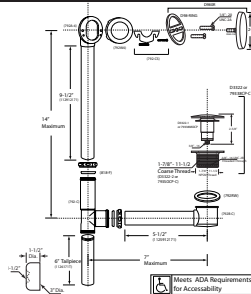
- 22-1/2" maximum make-up - 17 gauge brass tubes 26
- 1-1/2" tip toe drain plug - ADA approved 03, 05,
- Illusionary faceplate - No Holes 07, 12,
- All exposed style with all parts finished 50, 62
- Includes 6" tailpiece
- High box flange for base



22" All Exposed Pull & Drain

D3265HK-

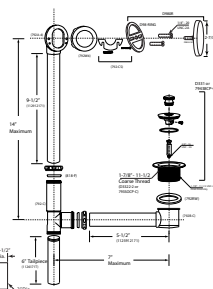
- 22-1/2" maximum make-up - 17 gauge brass tubes 26
- 1-1/2" pull & drain plug 03, 05,
- Illusionary faceplate - No Holes 07, 12,
- All exposed style - all parts finished 50, 62
- Includes 6" tailpiece
- High box flange for base



14" All Exposed Illusionary Tip-Toe

D3251HK-

- 14" maximum make-up - 17 gauge brass tubes 26
- Illusionary faceplate - No Holes 03, 05,
- 1-1/2" oversized tip-toe drain plug 07, 12,
- ADA approved drain plug 50, 62
- All exposed style - all parts finished
- Includes 6" tailpiece and high box flange for base



14" All Exposed Pull & Drain

D3211HK-

- 14" maximum make-up - 17 gauge brass tubes 26
- 1-1/2" pull & drain plug 03, 05,
- Illusionary faceplate - No Holes 07, 12,
- All exposed style - all parts finished 50, 62
- Includes 6" tailpiece
- High box flange for base

SPECIALTY BATH WASTE & OVERFLOW

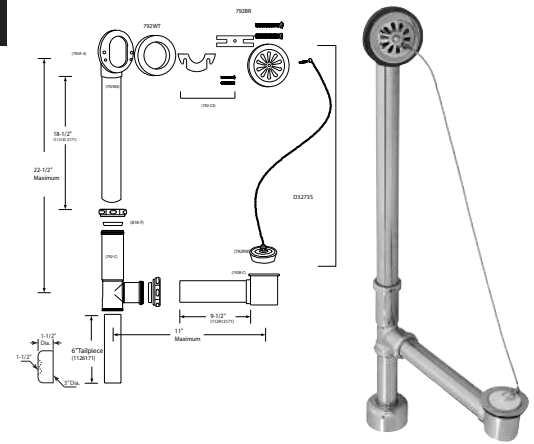
POLISHED BRASS (01 OR 03), POLISHED NICKEL (05), SATIN NICKEL (07), ANTIQUE COPPER (11), OIL RUBBED BRONZE (12), POLISHED CHROME(26), WHITE (50), AND FLAT BLACK (62)

All Exposed Chain & Stopper

D3242K- (7951817-)

- 22-1/2" maximum make-up tub waste
- 1-1/2" chain & stopper drain plug
- Old style brass grid faceplate
- All exposed style with all parts finished
- Includes 6" tailpiece and high box flange
- 17 gauge brass tubes

26
03, 05,
07, 12,
20

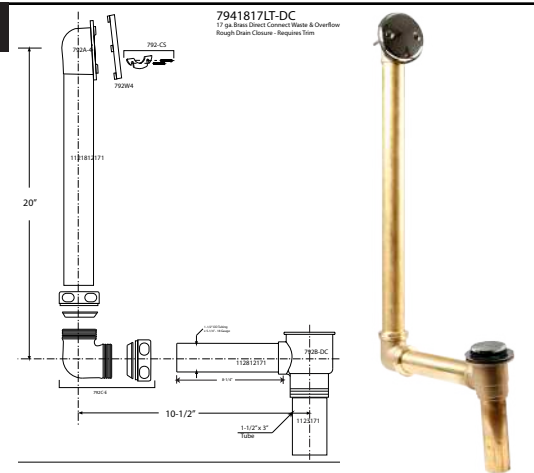


Direct Connect Waste & Overflow

7931817-DC-

- 18" maximum make-up tub waste
- Direct connect shoe outlet
- ADA approved tip-toe drain trim for easy sealing
- 17 gauge brass tubes

26
03, 05,
07, 12



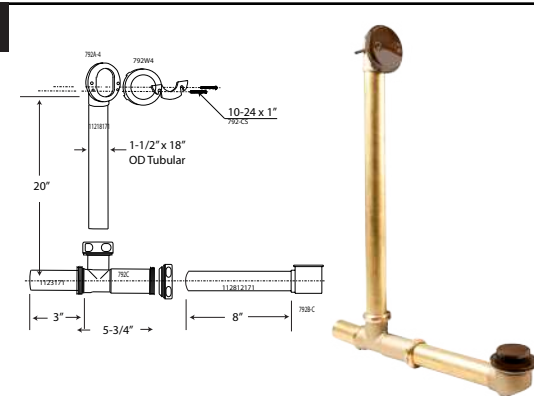
7941817LT-DC Rough only

Above Floor Waste & Overflow

7931817-AF-

- 18" maximum make-up tub waste
- 17 gauge brass above floor tee outlet
- Uses two-hole faceplate
- ADA approved tip-toe drain trim for easy sealing

26
03, 05,
07, 12



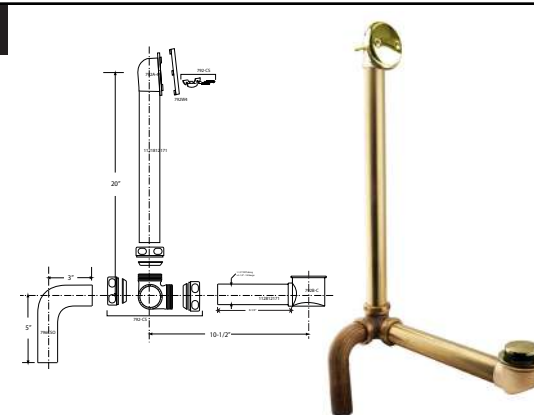
7941817LT-AF Rough only

Side Outlet Waste & Overflow

7931817-SO-

- 18" maximum make-up tub waste
- 17 gauge brass side outlet elbow
- Uses two-hole faceplate
- ADA approved tip-toe drain trim for easy sealing

26
03, 05,
07, 12



7941817LT-SO Rough Only

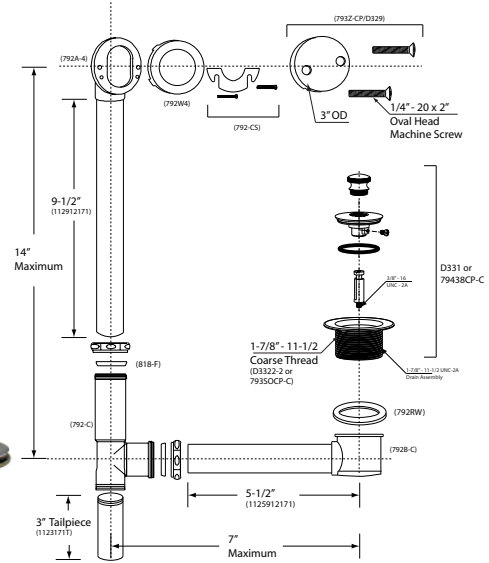
TWIST & CLOSE BATH WASTE & OVERFLOW

POLISHED BRASS (01 OR 03), POLISHED NICKEL (05), SATIN NICKEL (07), ANTIQUE COPPER (11), OIL RUBBED BRONZE (12), POLISHED CHROME(26), WHITE (50), AND FLAT BLACK (62)

17 Gauge Twist & Close Bathwaste

D321- (79417)

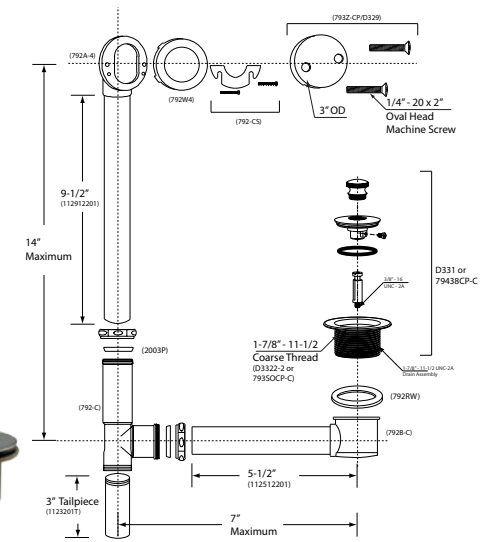
- 14" maximum make-up tub waste 26
- 1-1/2" twist & close drain plug 01, 05,
- Two-hole faceplate 07, 12,
- Trim only finished 20, 50,
- Heavy duty metal construction 62
- 17 gauge brass tubes



20 Gauge Twist & Close Bathwaste

D321-20G- (79420)

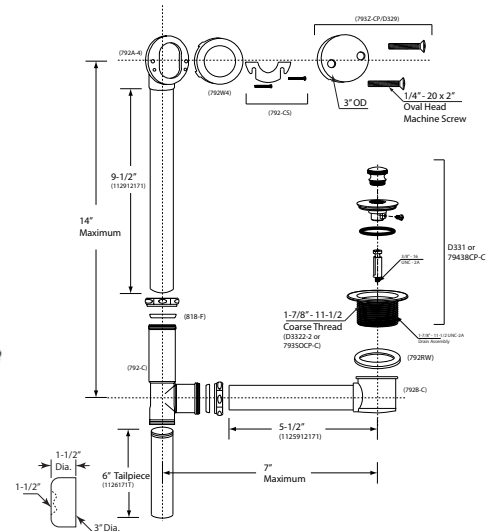
- 14" maximum make-up tub waste 26
- 1-1/2" twist & close drain plug 01, 05,
- Two-hole faceplate 07, 12,
- Heavy duty metal construction 20, 50,
- 20 gauge brass tubes 62



Fully Finished 17 Gauge Twist & Close Bathwaste

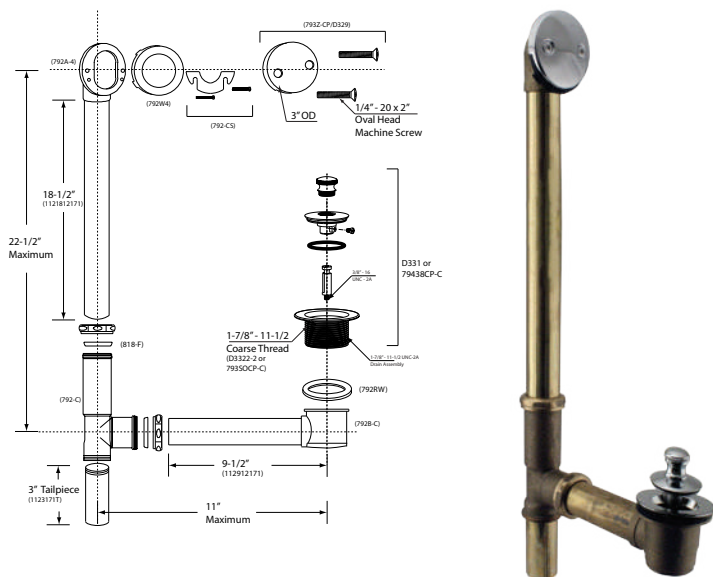
D3211K-

- 14" maximum make-up tub waste 26
- 1-1/2" twist & close drain plug 03, 05,
- Two hole faceplate 07, 12,
- All exposed style 20, 50,
- All parts finished 62
- Includes 6" tailpiece
- High box flange
- 17 gauge brass tubes



TWIST & CLOSE BATH WASTE & OVERFLOW

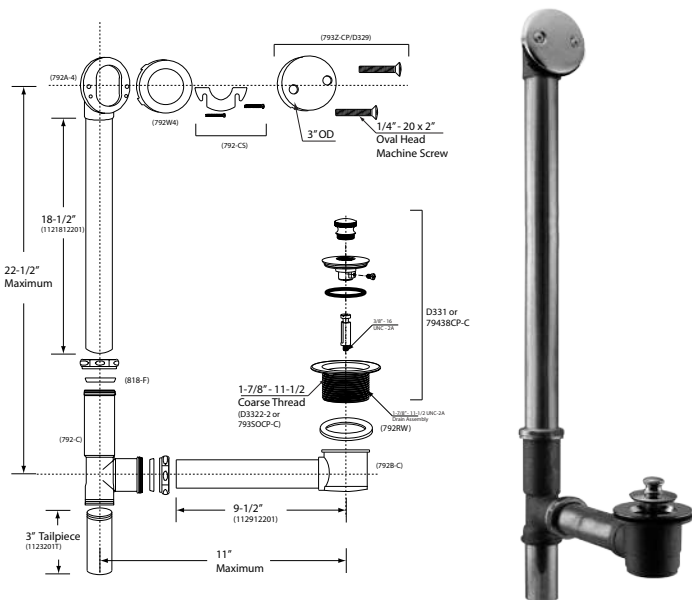
POLISHED BRASS (01 OR 03), POLISHED NICKEL (05), SATIN NICKEL (07), ANTIQUE COPPER (11), OIL RUBBED BRONZE (12), POLISHED CHROME(26), WHITE (50), AND FLAT BLACK (62)



17 Gauge Twist & Close Bathwaste

D322- (7941817)

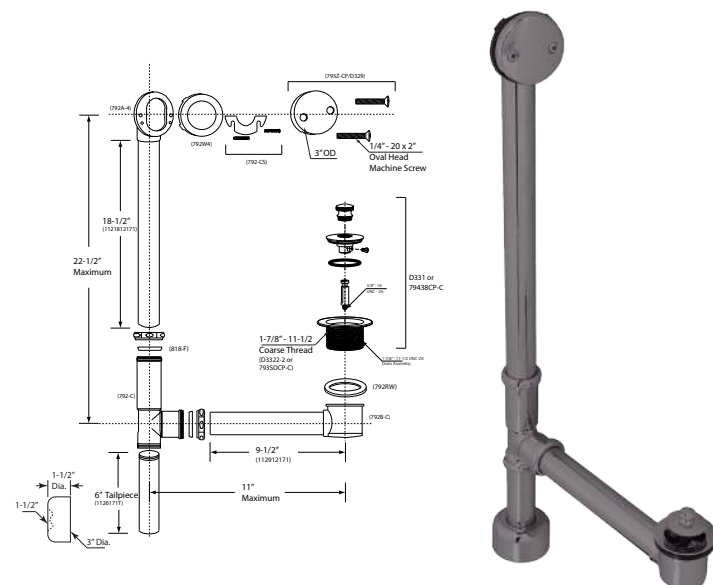
- 22-1/2" maximum make-up tub waste 26
- 1-1/2" twist & close drain plug 01, 05, 07, 12,
- Two-hole faceplate 20, 50, 62
- Trim only finished
- Heavy duty metal construction
- 17 gauge brass tubes



20 Gauge Twist & Close Bathwaste

D322-20G- (7941820)

- 22-1/2" maximum make-up tub waste 26
- 1-1/2" twist & close drain plug 01, 05, 07, 12,
- Two-hole faceplate 20, 50, 62
- Trim only finished
- Heavy duty metal construction
- 20 gauge brass tubes



Fully Finished 17 gauge Twist & Close Bathwaste

D3221K-

- 22-1/2" maximum make-up tub waste 26
- 1-1/2" twist & close drain plug 03, 05, 07, 12,
- Two-hole faceplate 20, 50, 62
- All exposed style
- All parts finished
- Includes 6" tailpiece
- High box flange
- 17 gauge brass tubes

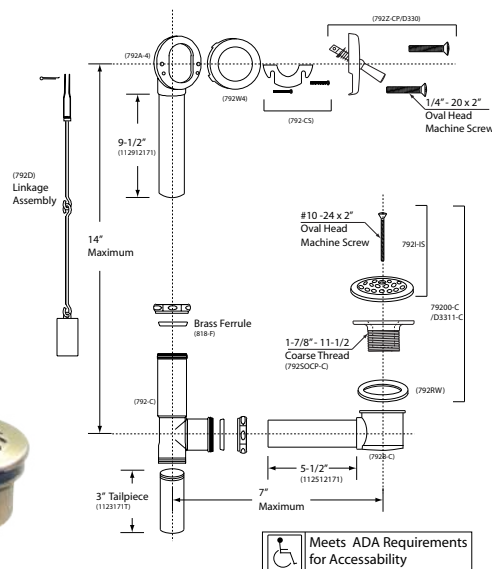
TRIP LEVER BATH WASTE & OVERFLOW

POLISHED BRASS (01 OR 03), POLISHED NICKEL (05), SATIN NICKEL (07), ANTIQUE COPPER (11), OIL RUBBED BRONZE (12), POLISHED CHROME(26), WHITE (50), AND FLAT BLACK (62)

17 Gauge Trip Lever Bathwaste

D323- (79217)

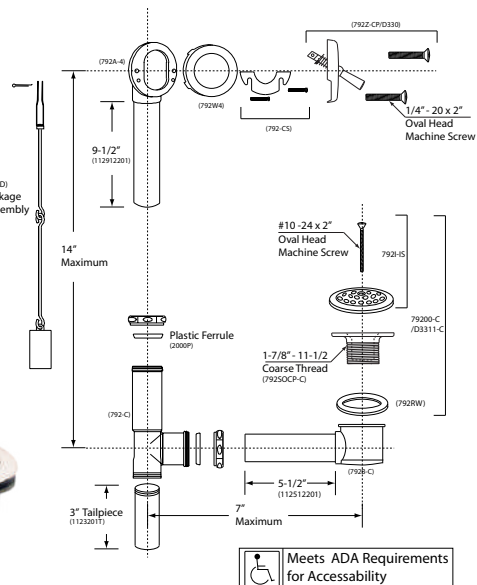
- 14" maximum make-up tub waste 26
- 1-1/2" beehive grid drain plug 01, 05, 07, 12, 20, 50, 62
- Trip lever faceplate
- Trim only finished
- Heavy duty metal construction
- 17 gauge brass tubes



20 Gauge Trip Lever Bathwaste

D323-20G- (79220)

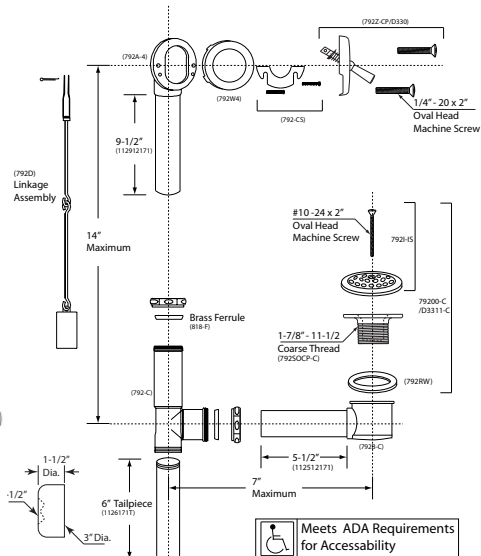
- 14" maximum make-up tub waste 26
- 1-1/2" beehive grid drain plug 01, 05, 07, 12, 20, 50, 62
- Trip lever faceplate
- Trim only finished
- Heavy duty metal construction
- 20 gauge brass tubes



Fully Finished 17 Gauge Trip Lever Bathwaste

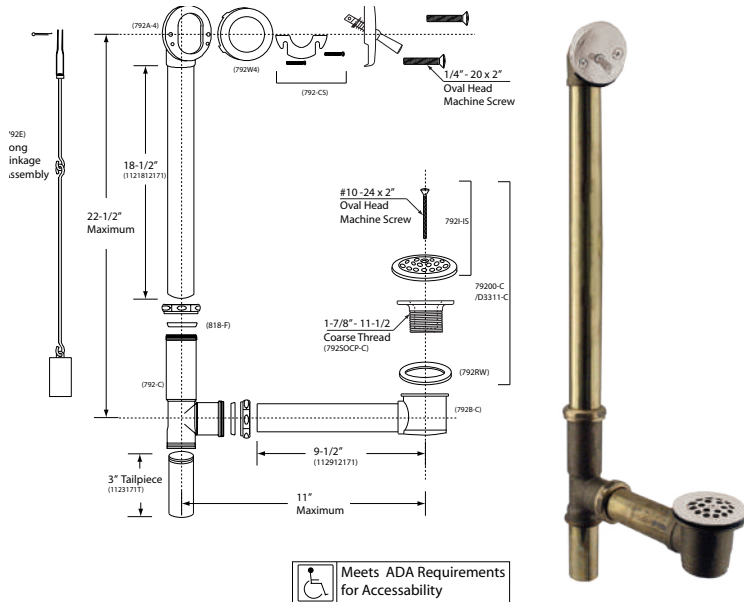
D3231K-

- 14" maximum make-up tub waste 26
- 1-1/2" beehive grid drain plug 03, 05, 07, 12, 20, 50, 62
- Trip lever faceplate
- All exposed style
- All parts finished
- Includes 6" tailpiece
- High box flange
- 17 gauge brass tubes



TRIP LEVER BATH WASTE & OVERFLOW

POLISHED BRASS (01 OR 03), POLISHED NICKEL (05), SATIN NICKEL (07), ANTIQUE COPPER (11), OIL RUBBED BRONZE (12), POLISHED CHROME(26), WHITE (50), AND FLAT BLACK (62)

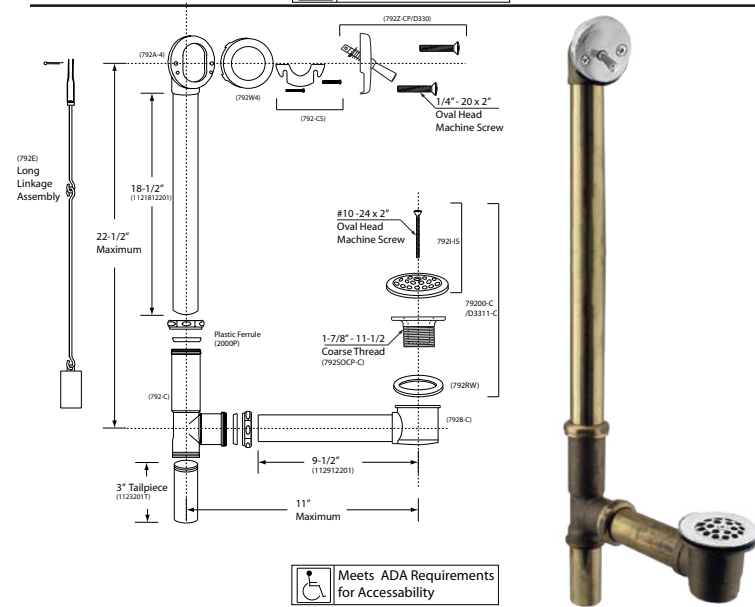


17 Gauge Trip Lever Bathwaste

D324- (7921817)

- 22-1/2" maximum make-up tub waste 26
- 1-1/2" beehive grid drain plug 01, 05, 07, 12,
- Trip lever faceplate 20, 50, 62
- Trim only finished
- Heavy duty metal construction
- 17 gauge brass tubes

Meets ADA Requirements for Accessibility

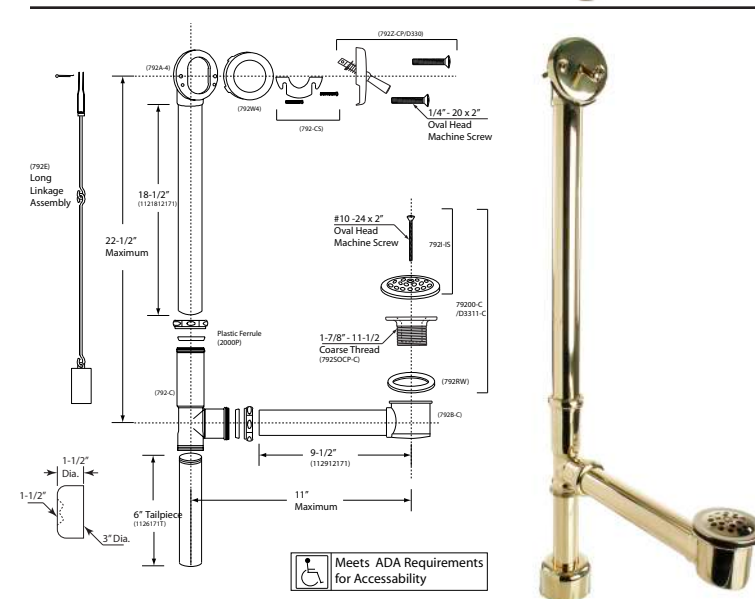


20 Gauge Trip Lever Bathwaste

D324-20G- (7921820)

- 22-1/2" maximum make-up tub waste 26
- 1-1/2" beehive grid drain plug 01, 05, 07, 12,
- Trip lever faceplate 20, 50, 62
- Trim only finished
- Heavy duty metal construction
- 20 gauge brass tubes

Meets ADA Requirements for Accessibility



Fully Finished 17 Gauge Trip Lever Bathwaste

D3241K-

- 22-1/2" maximum make-up tub waste 26
- 1-1/2" beehive grid drain plug 03, 05, 07, 12,
- Trip lever faceplate 20, 50, 62
- All exposed style
- All parts finished
- Includes 6" tailpiece
- High box flange
- 17 gauge brass tubes

Meets ADA Requirements for Accessibility

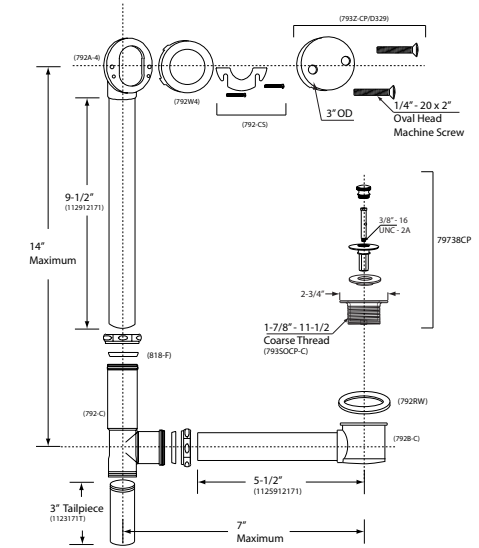
PULL & DRAIN BATH WASTE & OVERFLOW

POLISHED BRASS (01 OR 03), POLISHED NICKEL (05), SATIN NICKEL (07), ANTIQUE COPPER (11), OIL RUBBED BRONZE (12), POLISHED CHROME(26), WHITE (50), AND FLAT BLACK (62)

18 Gauge Pull & Drain Bathwaste

D3262- (79717)

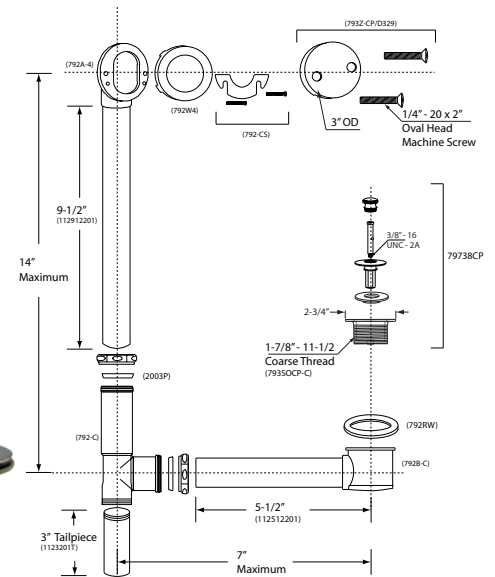
- 14" maximum make-up tub waste 26
- 1-1/2" pull & drain plug (D3324) 03, 05,
- Two-hole faceplate (D328) 07, 12,
- Trim only finished 50, 62
- Heavy duty metal construction
- 20 gauge brass tubes



20 Gauge Pull & Drain Bathwaste

D3262-20G- (79720)

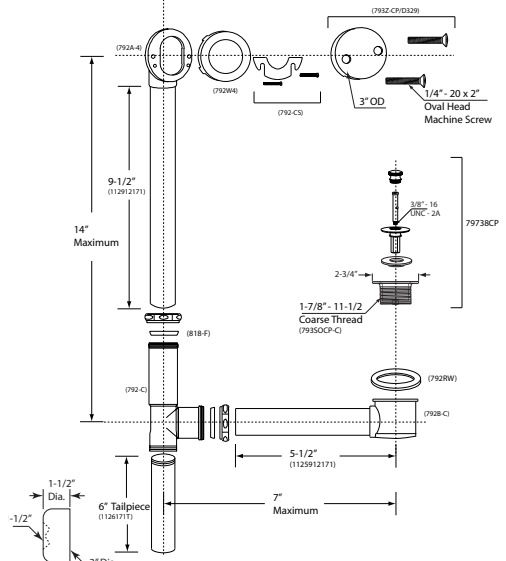
- 14" maximum make-up tub waste 26
- 1-1/2" pull & drain plug (D3324) 03, 05,
- Two-hole faceplate (D328) 07, 12,
- Trim only finished 50, 62
- Heavy duty metal construction
- 20 gauge brass tubes



Fully Finished 17 Gauge Pull & Drain Bathwaste

D3263K-

- 14" maximum make-up tub waste 26
- 1-1/2" pull & drain plug (D3324) 03, 05,
- All exposed style 07, 12,
- All parts finished 50, 62
- Includes 6" tailpiece
- High box flange
- 17 gauge brass tubes



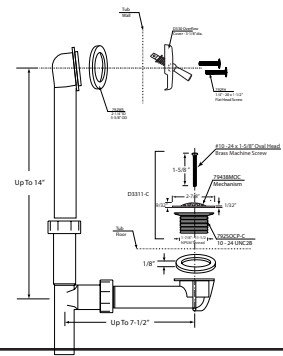
BLACK TUBULAR BATH WASTE & OVERFLOW

POLISHED BRASS (01 OR 03), POLISHED NICKEL (05), SATIN NICKEL (07), ANTIQUE COPPER (11), OIL RUBBED BRONZE (12), POLISHED CHROME(26), WHITE (50), AND FLAT BLACK (62)

1-1/2" Black Tubular Trip Lever BW&O

592144-

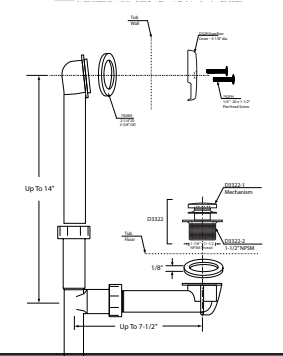
- 1-1/2" coarse beehive drain plug (D3311) 26
- Trip lever faceplate with screws (D330) 03, 05, 07, 12, 20, 50, 62
- Black poly tubes with poly slip joint washers
- Heavy duty metal trim



1-1/2" Black Tubular Tip-Toe BW&O

593144-

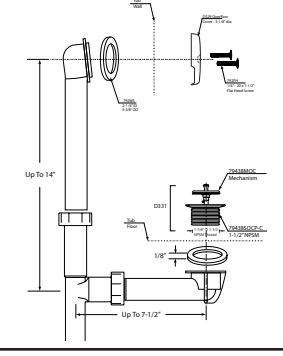
- 1-1/2" tip toe drain plug (D3322) 26
- 2-hole faceplate with screws (D329) 03, 05, 07, 12, 20, 50, 62
- Black poly tubes with poly slip joint washers
- Heavy duty metal trim



1-1/2" Black Tubular Twist & Close BW&O

594144-

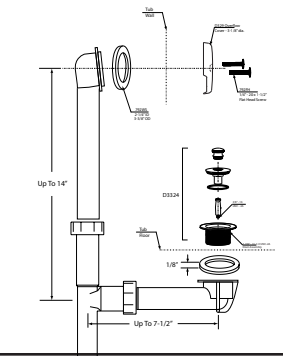
- 1-1/2" twist & close drain plug (D331) 26
- 2-hole faceplate with screws (D329) 03, 05, 07, 12, 20, 50, 62
- Black poly tubes with poly slip joint washers
- Heavy duty metal trim



1-1/2" Black Tubular Pull & Drain BW&O

597144-

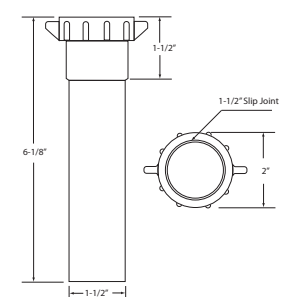
- 1-1/2" pull & drain drain plug (D3324) 26
- 2-hole faceplate with screws (D329) 03, 07, 12, 20, 62
- Black poly tubes with poly slip joint washers
- Heavy duty metal trim



1-1/2" Black Bath Waste Extension Tube

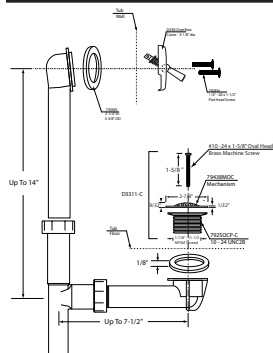
109606

- 1-1/2" poly slip joint tube
- Extends top tube length
- With poly slip joint washer and nut



WHITE TUBULAR BATH WASTE & OVERFLOW

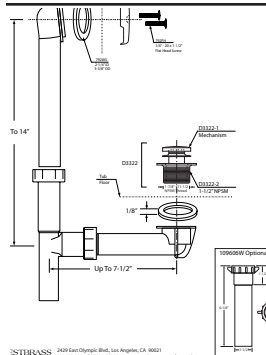
POLISHED BRASS (01 OR 03), POLISHED NICKEL (05), SATIN NICKEL (07), ANTIQUE COPPER (11), OIL RUBBED BRONZE (12), POLISHED CHROME(26), WHITE (50), AND FLAT BLACK (62)



1-1/2" White Tubular Trip Lever BW&O

592244-

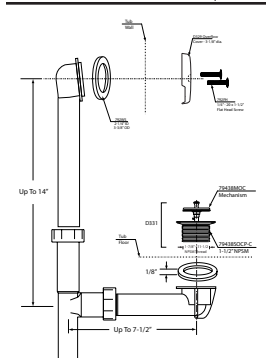
- 1-1/2" coarse thread beehive drain plug (D3311) 26
- Trip lever faceplate with screws (D330) 03, 05, 07, 12, 20, 50
- White poly tubes with poly slip joint washers
- Heavy duty metal trim



1-1/2" White Tubular Tip Toe BW&O

593244-

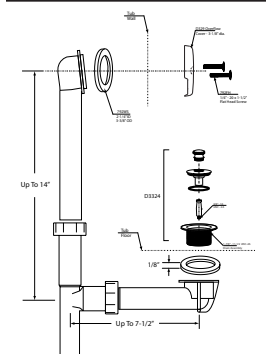
- 1-1/2" tip toe drain plug (D3322) 26
- 2-hole faceplate with screws (D329) 03, 05, 07, 12, 20, 50, 62
- White poly tubes with poly slip joint washers
- Heavy duty metal trim



1-1/2" White Tubular Twist & Close BW&O

594244-

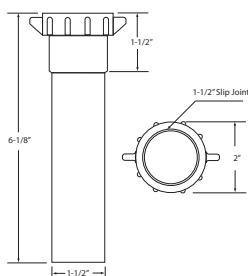
- 1-1/2" twist & close drain plug (D331) 26
- 2-hole faceplate with screws (D329) 03, 05, 07, 12, 20, 50
- White poly tubes with poly slip joint washers
- Heavy duty metal trim



1-1/2" White Tubular Pull & Drain BW&O

597244-

- 1-1/2" pull & drain plug (D3324) 26
- 2-hole faceplate with screws (D329) 03, 07, 12, 20
- White poly tubes with poly slip joint washers
- Heavy duty metal trim



1-1/2" White Bath Waste Extension Tube

109606W

- 1-1/2" poly slip joint tube
- Extends top tube length
- With poly slip joint washer and nut

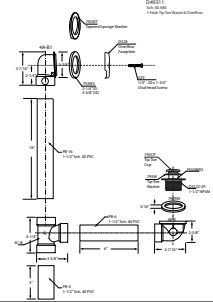
ABS BATH WASTE & OVERFLOWS

POLISHED BRASS (01 OR 03), POLISHED NICKEL (05), SATIN NICKEL (07), ANTIQUE COPPER (11), OIL RUBBED BRONZE (12), POLISHED CHROME(26), WHITE (50), AND FLAT BLACK (62)

1-1/2" Sch. 40 ABS Tip-Toe BW&O

D49311-

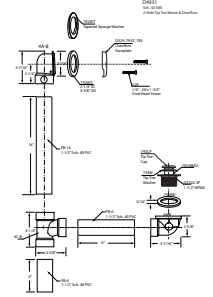
- 1-1/2" tip toe drain plug (D3322) 26
- 1-hole faceplate with screw (D328) 01, 05, 07,
- 12" x 4" ABS tubes, elbow, tee, and shoe 12, 20, 50,
- Heavy duty metal trim 62



1-1/2" Sch. 40 ABS Tip-Toe BW&O

D4931-

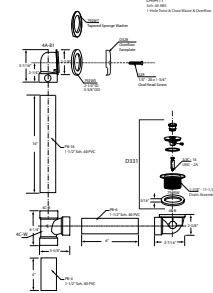
- 1-1/2" tip toe drain plug (D3322) 26
- 2-hole faceplate with screws (D329) 01, 05, 07,
- 12" x 4" ABS tubes, elbow, tee, and shoe 12, 20, 50,
- Heavy duty metal trim 62



1-1/2" Sch. 40 ABS Twist & Close BW&O

D49411-

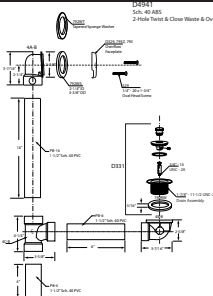
- 1-1/2" twist & close drain plug (D331) 26
- 1-hole faceplate with screw (D328) 01, 05, 07,
- 12" x 4" ABS tubes, elbow, tee, and shoe 12, 20, 50,
- Heavy duty metal trim 62



1-1/2" Sch. 40 ABS Twist & Close BW&O

D4941-

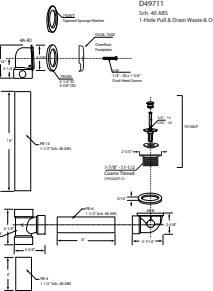
- 1-1/2" twist & close drain plug (D331) 26
- 2-hole faceplate with screws (D329) 01, 05, 07,
- 12" x 4" ABS tubes, elbow, tee, and shoe 12, 20, 50,
- Heavy duty metal trim 62



1-1/2" Sch. 40 ABS Pull & Drain BW&O

D49711-

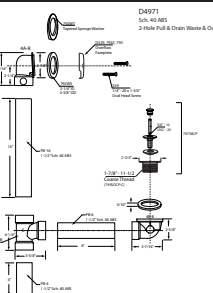
- 1-1/2" pull & drain plug (D3324) 26
- 2-hole faceplate with screws (D329) 03, 05, 07,
- 12" x 4" ABS tubes, elbow, tee, and shoe 12, 20, 50,
- Heavy duty metal trim 62



1-1/2" Sch. 40 ABS Pull & Drain BW&O

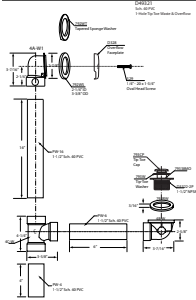
D4971-

- 1-1/2" pull & drain plug (D3324) 26
- 2-hole faceplate with screws (D329) 03, 05, 07,
- 12" x 4" ABS tubes, elbow, tee, and shoe 12, 20, 50,
- Heavy duty metal trim 62



PVC BATH WASTE & OVERFLOWS

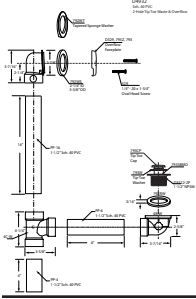
POLISHED BRASS (01 OR 03), POLISHED NICKEL (05), SATIN NICKEL (07), ANTIQUE COPPER (11), OIL RUBBED BRONZE (12), POLISHED CHROME(26), WHITE (50), AND FLAT BLACK (62)



1-1/2" Sch. 40 PVC Tip-Toe BW&O

D49321-

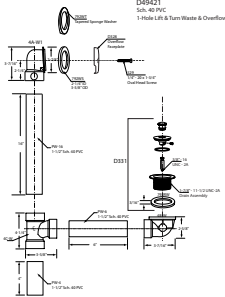
- 1-1/2" tip toe drain plug (D3322) 26
- 1-hole faceplate with screw (D328) 01, 05, 07,
- 12" x 4" PVC tubes, elbow, tee, and shoe 12, 20, 50,
- Heavy duty metal trim 62



1-1/2" Sch. 40 PVC Tip-Toe BW&O

D4932-

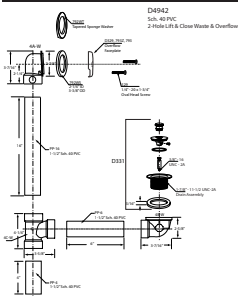
- 1-1/2" tip toe drain plug (D3322) 26
- 2-hole faceplate with screws (D329) 01, 05, 07,
- 12" x 4" PVC tubes, elbow, tee, and shoe 12, 20, 50,
- Heavy duty metal trim 62



1-1/2" Sch. 40 PVC Twist & Close BW&O

D49421-

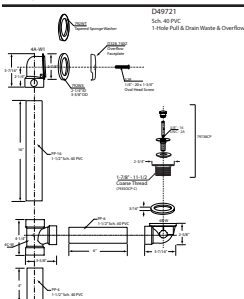
- 1-1/2" twist & close drain plug (D331) 26
- 1-hole faceplate with screw (D328) 01, 05, 07,
- 12" x 4" PVC tubes, elbow, tee, and shoe 12, 20, 50,
- Heavy duty metal trim 62



1-1/2" Sch. 40 PVC Twist & Close BW&O

D4942-

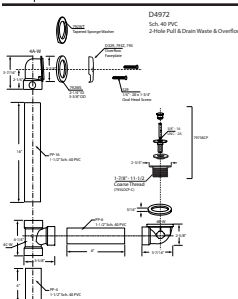
- 1-1/2" twist & close drain plug (D331) 26
- 2-hole faceplate with screws (D329) 01, 05, 07,
- 12" x 4" PVC tubes, elbow, tee, and shoe 12, 20, 50,
- Heavy duty metal trim 62



1-1/2" Sch. 40 PVC Pull & Drain BW&O

D49721-

- 1-1/2" pull & drain plug (D3324) 26
- 2-hole faceplate with screws (D329) 03, 05, 07,
- 12" x 4" PVC tubes, elbow, tee, and shoe 12, 20, 50,
- Heavy duty metal trim 62



1-1/2" Sch. 40 PVC Pull & Drain BW&O

D4972-

- 1-1/2" pull & drain plug (D3324) 26
- 2-hole faceplate with screws (D329) 03, 05, 07,
- 12" x 4" PVC tubes, elbow, tee, and shoe 12, 20, 50,
- Heavy duty metal trim 62

BATH WASTE & OVERFLOW TRIM KITS

POLISHED BRASS (01 OR 03), POLISHED NICKEL (05), SATIN NICKEL (07), ANTIQUE COPPER (11), OIL RUBBED BRONZE (12), POLISHED CHROME(26), WHITE (50), AND FLAT BLACK (62)

Tip Toe Universal Trim Set, 1-Hole

D931K-

- One-hole faceplate (D328) 26
- Tip toe mechanism Group II
- 1-3/8"-16 fine thread strainer (D3323)
- 1-1/2" x 1-3/8" adapter bushing and converter bracket included
- Heavy duty metal trim



Tip Toe Universal Trim Set, 2-Hole

D93K-

- Two-hole faceplate (D329) 26
- Tip toe mechanism 01, 05, 07,
- 1-3/8"-16 fine thread strainer (D3323) 12, 50, 62
- 1-1/2" x 1-3/8" adapter bushing included
- Heavy duty metal trim



Illusionary Tip Toe Universal Trim Set

D98HRK-

- No-hole faceplate (D980R) 26
- ADA approved Tip-toe mechanism 03, 05, 07,
- 1-3/8"-16 fine thread strainer (D331-F) 12, 62
- exterior with adapter busing
- 1-1/2" x 1-3/8" adapter bushing included
- Heavy duty metal trim



Twist & Close Universal Trim Set, 1-Hole

D941K-

- One-hole faceplate (D328) 26
- Twist & close mechanism 01, 05, 07,
- 1-3/8"-16 fine thread strainer (D331-F) 12, 50, 62
- 1-1/2" x 1-3/8" adapter bushing and converter bracket included
- Heavy duty metal trim



Twist & Close Universal Trim Set, 2-Hole

D94K-

- Two-hole faceplate (D329) 26
- Twist & close mechanism 01, 05, 07,
- 1-3/8"-16 fine thread strainer (D331-F) 12, 50, 62
- 1-1/2" x 1-3/8" adapter bushing included
- Heavy duty metal trim



Twist & Close Universal Trim Set, Hidden

D94HK-

- No-hole faceplate (D980R) 26
- Twist & close mechanism 01, 05, 07,
- 1-3/8"-16 fine thread strainer (D331-F) 12, 50, 62
- exterior with adapter busing
- 1-1/2" x 1-3/8" adapter bushing included
- Heavy duty metal trim



BATH WASTE & OVERFLOW TRIM KITS

POLISHED BRASS (01 OR 03), POLISHED NICKEL (05), SATIN NICKEL (07), ANTIQUE COPPER (11), OIL RUBBED BRONZE (12), POLISHED CHROME(26), WHITE (50), AND FLAT BLACK (62)



Tip Toe Trim Set with Coarse Thread Strainer

D93-

- One-hole faceplate (D328) 26
- Tip toe mechanism (D3322) 01, 05, 07, 12, 50, 62
- Coarse thread
- 1-1/2" NPSM (1-7/8" - 11-1/2 UNC) exterior
- Heavy duty metal construction



Tip Toe Trim Set with Coarse Thread Strainer

D93-2-

- Two-hole faceplate (D329) 26
- Tip toe mechanism (D3322) 01, 05, 07, 12, 50, 62
- Coarse thread
- 1-1/2" NPSM (1-7/8" - 11-1/2 UNC) exterior
- Heavy duty metal construction



Round Mushroom Tip Toe Trim Set

D398RK-

- No-hole round faceplate (D980R) 26
- Round mushroom tip toe drain (D398R) 01, 05, 07, 12, 20, 50, 62
- Coarse thread
- 1-1/2" NPSM (1-7/8" - 11-1/2 UNC) exterior
- Heavy duty metal construction



Twist & Close Trim Set with Coarse Thread Strainer

D94-

- One-hole faceplate (D328) 26
- Twist & close mechanism (D331) 01, 05, 07, 12, 50, 62
- Coarse thread
- 1-1/2" NPSM (1-7/8" - 11-1/2 UNC) exterior
- Heavy duty metal construction



Twist & Close Trim Set with Coarse Thread Strainer

D94-2-

- Two-hole faceplate (D329) 26
- Twist & close mechanism (D331) 01, 05, 07, 12, 50, 62
- Coarse thread
- 1-1/2" NPSM (1-7/8" - 11-1/2 UNC) exterior
- Heavy duty metal construction



Twist & Close Trim Set w/ Hidden Overflow

D94H-

- No-hole faceplate (D980R) 26
- Twist & close mechanism (D331) 01, 05, 07, 12, 50, 62
- Coarse thread
- 1-1/2" NPSM (1-7/8" - 11-1/2 UNC) exterior
- Heavy duty metal construction

BATH TUB STRAINERS

POLISHED BRASS (01 OR 03), POLISHED NICKEL (05), SATIN NICKEL (07), ANTIQUE COPPER (11), OIL RUBBED BRONZE (12), POLISHED CHROME(26), WHITE (50), AND FLAT BLACK (62)

Trip Lever Trim Set with Beehive Grid

D92 -

- Two-hole faceplate (D330) 26
- Beehive grid drain (D327) 01, 05, 07,
- Plated brass screws 11, 12, 20,
- Heavy duty metal construction 50, 62



Trip Lever Universal Trim Set

D92K-

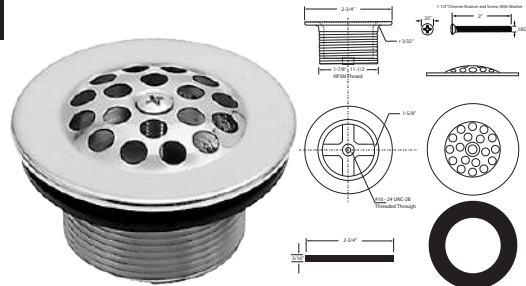
- Trip lever faceplate (D330) 26
- Shoe strainer with grid and screw (D3311-F) 01, 05, 07,
- 1-3/8"-16 fine thread strainer 11, 12, 20,
- 1-1/2" x 1-3/8" adapter bushing 50, 62
- Heavy duty metal construction



1-1/2" Bath Drain with Grid and Screw

D3311-C-

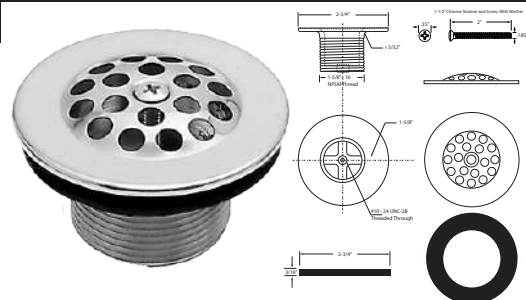
- 1-1/2" beehive strainer style bath drain 26
- Coarse thread 01, 05, 07,
- 1-1/2" NPSM (1-7/8" - 11-1/2 UNC) exterior 12, 20, 50,
- #10 - 24 x 1-5/8" oval head brass screw 62
- Heavy duty metal construction



1-3/8" Bath Drain with Grid and Screw

D3311-F-

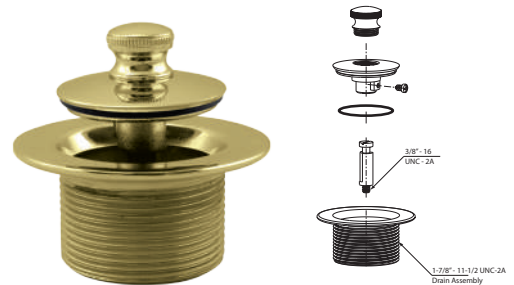
- 1-3/8" beehive strainer style bath drain 26
- Fine thread 01, 05, 07,
- 1-3/8" NPSM (1-5/8" - 16 UNC) exterior 12, 20, 50,
- #10 - 24 x 1-5/8" oval head brass screw 62
- Heavy duty metal construction



1-1/2" Twist & Close Bath Drain

D331-

- 1-1/2" twist & close style bath drain 26
- Coarse thread 01, 05, 07,
- 1-1/2" NPSM (1-7/8" - 11-1/2 UNC) exterior 12, 20, 50,
- Heavy duty metal construction 62



1-3/8" Twist & Close Bath Drain

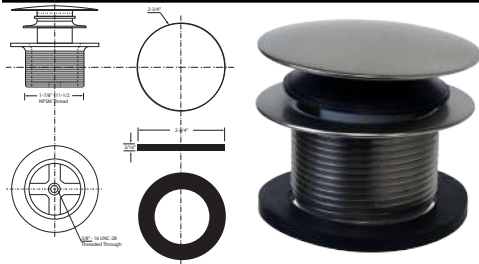
D331-F-

- 1-3/8" twist & close style bath drain 26
- Fine thread 01, 05, 07,
- 1-3/8" NPSM (1-5/8" - 16 UNC) exterior 12, 20, 50,
- Heavy duty metal construction 62



BATH TUB STRAINERS

POLISHED BRASS (01 OR 03), POLISHED NICKEL (05), SATIN NICKEL (07), ANTIQUE COPPER (11), OIL RUBBED BRONZE (12), POLISHED CHROME(26), WHITE (50), AND FLAT BLACK (62)



1-1/2" Round Mushroom Tip-Toe Bath Drain

D398R- 1-1/2" NPSM (1-7/8" - 11-1/2 UNC)

D398R-F- 1-1/4" NPSM (1-5/8" - 16 UNC)

- Tip-Toe style bath drain 26
- European style full cover mushroom cap 01, 05, 07, 12, 50, 62
- Sizes as marked above



1-1/2" Tip-Toe Bath Drain

D3322-

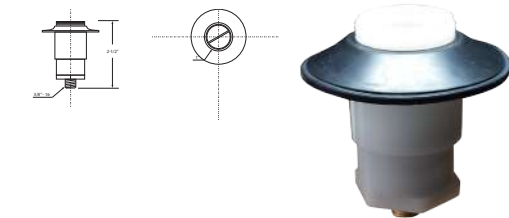
- 1-1/2" tip-toe style bath drain 26
- Coarse thread 01, 05, 07, 12, 50, 62
- 1-1/2" NPSM (1-7/8" - 11-1/2 UNC) exterior
- Heavy duty metal construction



1-3/8" Tip-Toe Bath Drain

D3323-

- 1-3/8" tip-toe style bath drain 26
- Fine thread 01, 05, 07, 12, 50, 62
- 1-3/8" NPSM (1-5/8" - 16 UNC) exterior
- Heavy duty metal construction



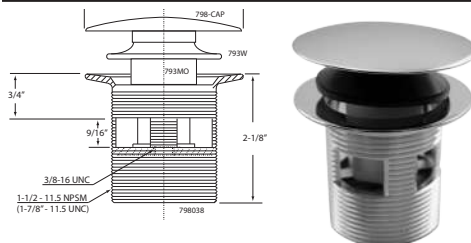
Tip Toe Plunger Only

79338MO (3/8 thread)

- Replacement plunger for D3322, D3323, D398R and D98R
- Less Cap

793516MO (5/16 thread)

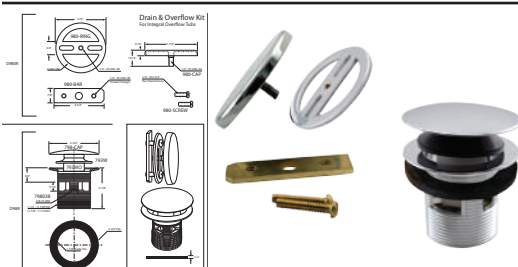
Please Note: These drains only work for bath tubs with integrated overflow channels, cast into the tub shell during the tub manufacturing process.



Integrated Overflow Round Tip-Toe Bath Drain

D98R-

- 1-1/2" round, tip-toe bath drain 26
- European style full cover mushroom cap 01, 05, 07, 12, 50, 62
- Coarse thread strainer
- 1-1/2" NPSM (1-7/8" - 11-1/2 UNC) exterior



Integrated Round Tip-Toe Bath Drain Kit

D98RK-

- 1-1/2" round, tip-toe style bath drain (D98R) 26
- European style full cover mushroom cap 01, 05, 07, 12, 50, 62
- Coarse thread (1-7/8" - 11.5 UNC-2A) exterior
- Round floating overflow cover (D980R)
- Heavy duty metal construction



Straight Adapter - 1-1/2 in.

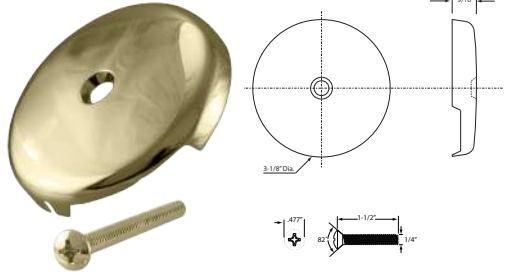
442P (PVC)

- 1-1/2" NPSM (1-7/8"-11.5 UNC-2B)
- Attaches integrated drain to plumbing
- Sch 40 Pipe Fitting

442A (ABS)

BATH WASTE & OVERFLOW TRIM KITS

POLISHED BRASS (01 OR 03), POLISHED NICKEL (05), SATIN NICKEL (07), ANTIQUE COPPER (11), OIL RUBBED BRONZE (12), POLISHED CHROME(26), WHITE (50), AND FLAT BLACK (62)

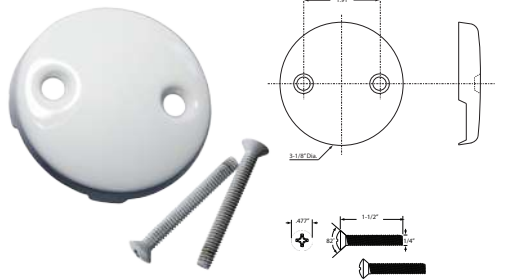


One-Hole Faceplate With Screw

D328-

- One-hole overflow faceplate
- 1/4" - 20 brass screw included
- Heavy duty metal construction

26
01, 05, 07, 12, 20,
50, 62

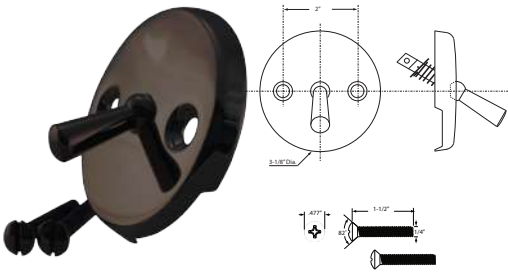


Two-Hole Faceplate With Screws

D329-

- Two-hole overflow faceplate
- Two 1/4" - 20 brass screws included
- Heavy duty metal construction

26
01, 05, 07, 12, 20,
50, 62

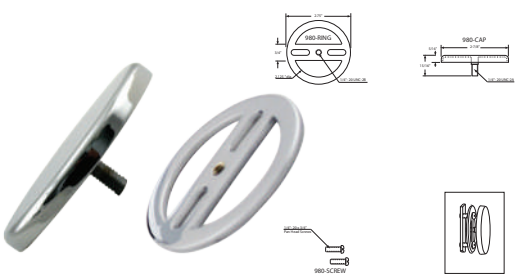


Trip Lever Faceplate With Screws

D330-

- Trip lever overflow faceplate
- Two 1/4" - 20 brass screws included
- Heavy duty metal construction

26
01, 05, 07, 12, 20,
50, 62

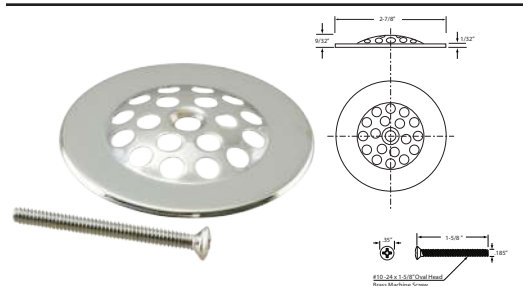


Round Floating Faceplate

D980R-

- No-hole round overflow faceplate
- Adapter fits integrated overflow tubs
- Fits two hole top elbow overflows
- Two screws and mounting ring included
- Solid brass

26
01, 05, 07, 12,
20, 50, 62



Beehive Style Tub Grid with Screw

D327-

- Gerber style tub waste grid
- #10 - 24 x 1-5/8" oval head brass screw
- Heavy duty metal construction

26
01, 05, 07,
12, 20, 50,
62

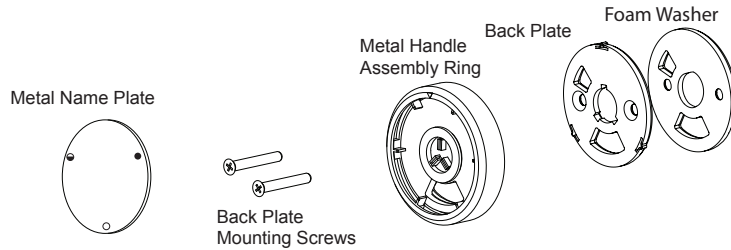
CLOSING NO HOLE OVERFLOW

POLISHED BRASS (01 OR 03), POLISHED NICKEL (05), SATIN NICKEL (07), ANTIQUE COPPER (11), OIL RUBBED BRONZE (12), POLISHED CHROME(26), WHITE (50), AND FLAT BLACK (62)

Patented Closing Metallic Overflow Cover

D493CHM-

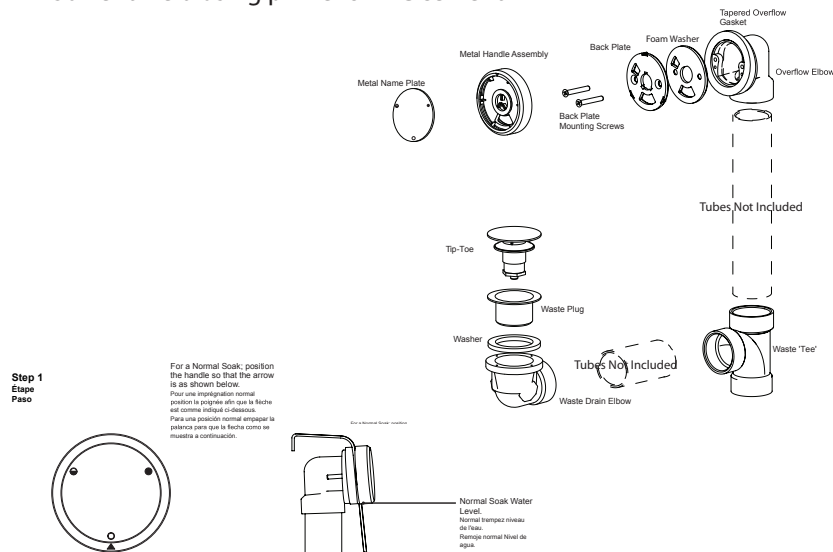
- Fits 2-hole overflow faceplate 26
- Replaces traditional overflow cover 05, 06, 07, 12, 50
- Heavy metallic construction
- Easily installs using a screwdriver



Closing Metallic Overflow Plumber's Pack

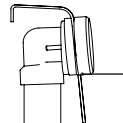
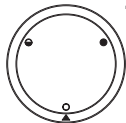
D593CHPM-

- Fits 2-hole overflow faceplate 26
- Replaces traditional overflow cover 05, 06, 07, 12, 50
- Heavy metallic construction
- Oversized tip-toe coverplate
- ADA approved drain
- Tee included
- Solvent weld using primer & PVC cement



Step 1
Etap
Paso

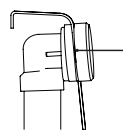
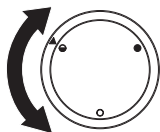
For a Normal Soak, position the handle so that the arrow is as shown below.
Pour une imbibition normale position le poignée afin que la flèche est comme indiqué ci-dessous.
Para una piscinilla normal empujar la palanca para que la flecha como se muestra a continuación.



Normal Soak Water Level.
Normal imbibition niveau de l'eau.
Niveau normal Niveau de agua.

Step 2
Etap
Paso

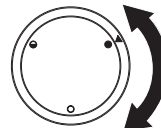
For a Deeper Soak, position the handle so that the arrow is as shown below.
Pour une profonde imbibition position le poignée afin que la flèche est comme illustré ci-dessous.
Para obtener una piscinilla profunda empujar la palanca para que la flecha como se muestra a continuación.



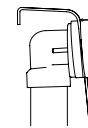
Deep Soak Water Level.
Profonde imbibition niveau de l'eau.
Niveau profonde nivel de agua.

Step 3
Etap
Paso

To close the Overflow position the handle so that the arrow is as shown below.
Pour fermer le débordement fermez le poignée afin que la flèche est comme illustré ci-dessous.
Para cerrar el desbordamiento quite la manija para que la flecha como se muestra a continuación.



Do not fill the bathtub up to the Overflow Closed position, then get into the bath. You can displace the water and cause water damage.
Ne pas remplir la baignoire jusqu'à la position fermée de débordement de capacité, puis obtenir dans la baignoire. Vous pouvez déplacer l'eau et entraîner dommages causés par l'eau.
No se debe llenar la bañera hasta el desbordamiento punto-cerrado, a continuación, entrar en el baño. Puede desplazar el agua y causar daños causados por el agua.



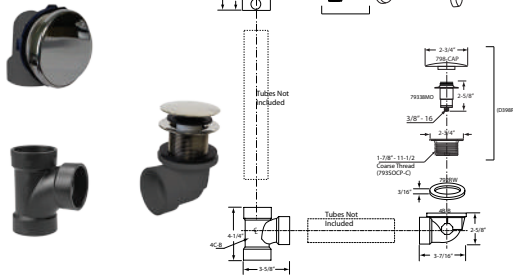
Overflow Closed Water Level.
Débordement de l'eau d'eau fermée.
Desbordamiento Cerrado Nivel del Agua.

ILLUSIONARY OVERFLOW PLUMBER'S PACKS

POLISHED BRASS (01 OR 03), POLISHED NICKEL (05), SATIN NICKEL (07), ANTIQUE COPPER (11), OIL RUBBED BRONZE (12), POLISHED CHROME(26), WHITE (50), AND FLAT BLACK (62)

Illusionary Overflow ABS Plumber's Pack

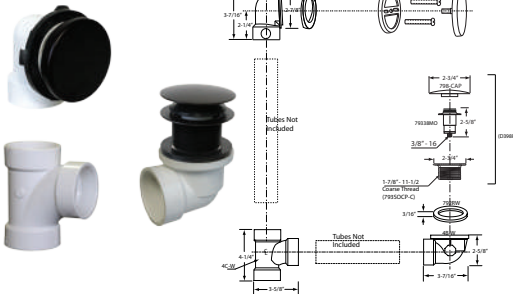
D593AHRK- (D593ARK)



- Fits 2-hole overflow faceplate 26
- Replaces traditional overflow cover 05, 07, 12,
- Heavy metallic construction 50, 62
- Oversized tip-toe coverplate
- ADA approved drain
- Tee included
- Solvent weld using primer & ABS cement

Illusionary Overflow PVC Plumber's Pack

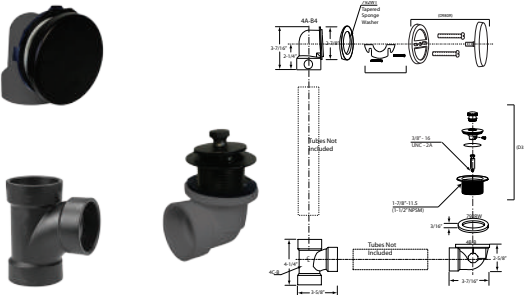
D593PHRK- (D593PRK)



- Fits 2-hole overflow faceplate 26
- Replaces traditional overflow cover 05, 07, 12,
- Heavy metallic construction 50, 62
- Oversized tip-toe coverplate
- ADA approved drain
- Tee included
- Solvent weld using primer & PVC cement

Illusionary Overflow ABS Plumber's Pack

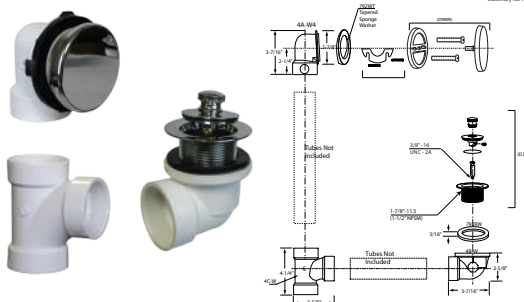
D594AHRK-



- Fits 2-hole overflow faceplate 26
- Replaces traditional overflow cover 05, 07, 12,
- Heavy metallic construction 50, 62
- Pull & Drain tub seal
- Tee included
- Solvent weld using primer & ABS cement

Illusionary Overflow PVC Plumber's Pack

D594PHRK-



- Fits 2-hole overflow faceplate 26
- Replaces traditional overflow cover 05, 07, 12,
- Heavy metallic construction 50, 62
- Pull & Drain tub seal
- Tee included
- Solvent weld using primer & PVC cement

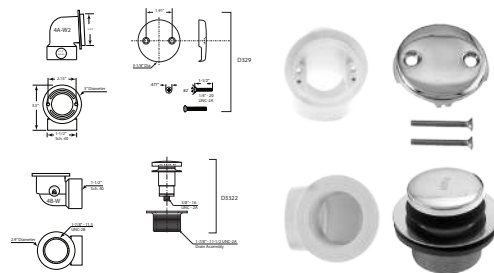
PVC & ABS PLUMBER'S PACKS

POLISHED BRASS (01 OR 03), POLISHED NICKEL (05), SATIN NICKEL (07), ANTIQUE COPPER (11), OIL RUBBED BRONZE (12), POLISHED CHROME(26), WHITE (50), AND FLAT BLACK (62)

1-1/2" Sch. 40 PVC Tip Toe Plumber's Pack

D532-

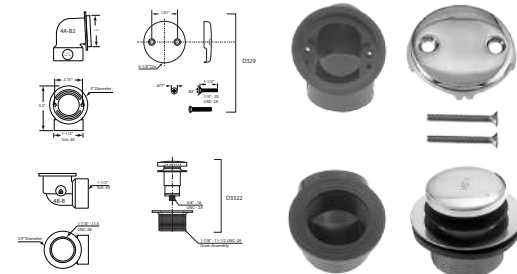
- 1-1/2" tip toe style drain (D3322) 26
- Two-hole faceplate (D329) 01, 05, 07,
- PVC top elbow and shoe elbow included 12, 20, 50,
- Heavy duty metal construction 62
- Tubing & tee not included



1-1/2" Sch. 40 ABS Tip Toe Plumber's Pack

D534-

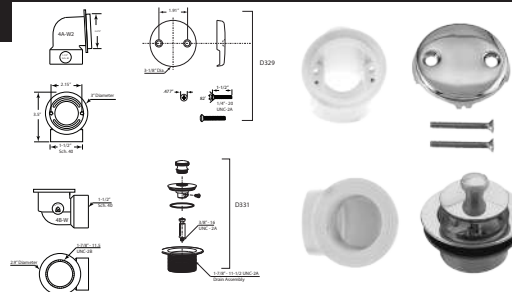
- 1-1/2" tip toe style drain (D3322) 26
- Two-hole faceplate (D329) 01, 05, 07,
- ABS top elbow and shoe elbow included 12, 20, 50,
- Heavy duty metal construction 62
- Tubing & tee not included



1-1/2" Sch. 40 PVC Twist & Close Plumber's Pack

D542-

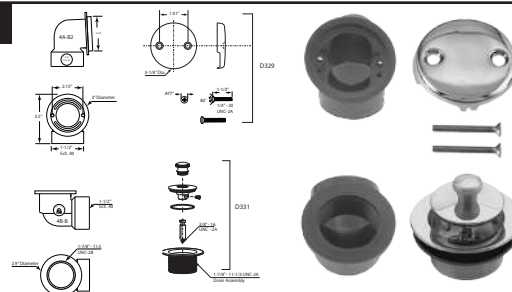
- 1-1/2" twist & close style drain (D331) 26
- Two-hole faceplate (D329) 01, 05, 07,
- PVC top elbow and shoe elbow included 12, 20, 50,
- Heavy duty metal construction 62
- Tubing & tee not included



1-1/2" Sch. 40 ABS Twist & Close Plumber's Pack

D544-

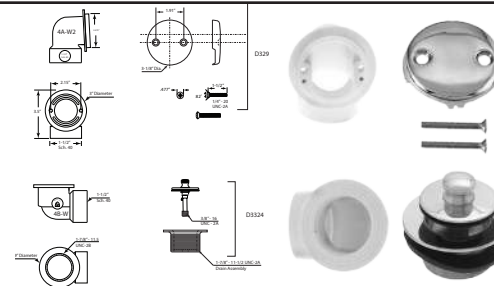
- 1-1/2" twist & close style drain (D331) 26
- Two-hole faceplate (D329) 01, 05, 07,
- ABS top elbow and shoe elbow included 12, 20, 50,
- Heavy duty metal construction 62
- Tubing & tee not included



1-1/2" Sch. 40 PVC Pull & Drain Plumber's Pack

D572-

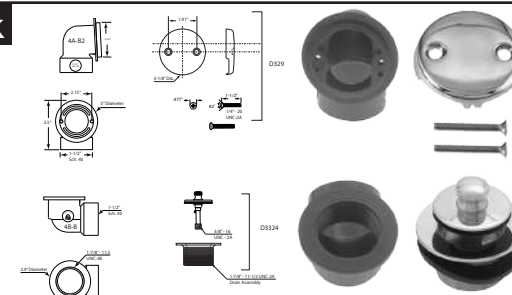
- 1-1/2" pull & drain style drain 26
- Two-hole faceplate (D329) 01, 05, 07,
- PVC top elbow and shoe elbow included 12, 20, 50,
- Heavy duty metal construction 62
- Tubing & tee not included



1-1/2" Sch. 40 ABS Pull & Drain Plumber's Pack

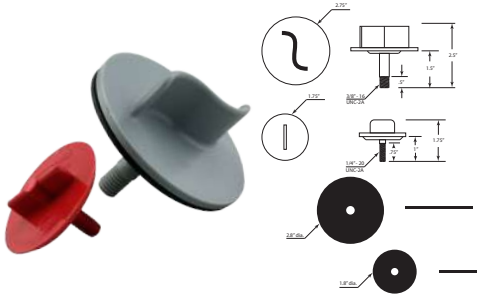
D574-

- 1-1/2" pull & drain style drain 26
- Two-hole faceplate (D329) 01, 05, 07,
- ABS top elbow and shoe elbow included 12, 20, 50,
- Heavy duty metal construction 62
- Tubing & tee not included



BATH WASTE & OVERFLOW

POLISHED BRASS (01 OR 03), POLISHED NICKEL (05), SATIN NICKEL (07), ANTIQUE COPPER (11), OIL RUBBED BRONZE (12), POLISHED CHROME(26), WHITE (50), AND FLAT BLACK (62)



1 - Hole Waste & Overflow Test Kit

TK-1

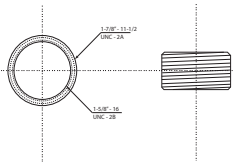
- Pressure test kit for 1-hole overflow installations
- Fits 3/8" - 16 bath shoe strainer threads
- Seals 1-hole, 1/4" - 20 threaded top elbows
- Fits most brass or plastic 1-hole bath wastes



2 - Hole Waste & Overflow Test Kit

TK-2

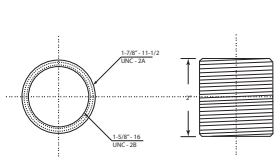
- Pressure test kit for 2-hole overflow installations
- Fits 3/8" - 16 bath shoe strainer threads
- Seals 2-hole, 1/4" - 20 threaded top elbows
- Fits most brass or plastic 2-hole bath wastes



Brass Adapter Bushing

792BB

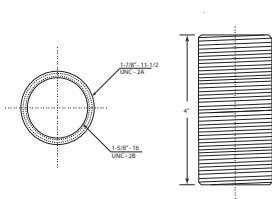
- Converts 1-3/8" fine to 1-1/2" coarse thread
- 1-7/8" - 11-1/2 x 1-5/8" - 16 adapter bushing



Long Brass Adapter Bushing

792BB-2

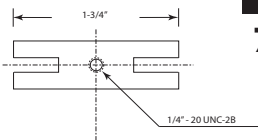
- Converts 1-3/8" fine to 1-1/2" coarse thread
- 1-7/8" - 11-1/2 x 1-5/8" - 16 adapter bushing
- 2 in. long bushing



Long Brass Adapter Bushing

792BB-4

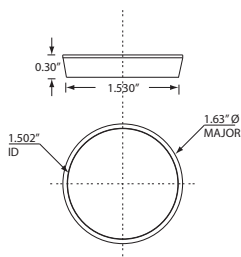
- Converts 1-3/8" fine to 1-1/2" coarse thread
- 1-7/8" - 11-1/2 x 1-5/8" - 16 adapter bushing
- 4 in. long bushing



Top Elbow Converter Bracket

792BR

- Converts two hole elbow for 1-hole faceplates



Brass Half Ferrule

818-F

- Brass compression ferrule
- Can be soldered for commercial applications
- Can be used in all brass tube kits

ABS CABLE DRIVEN BATH WASTE & OVERFLOWS

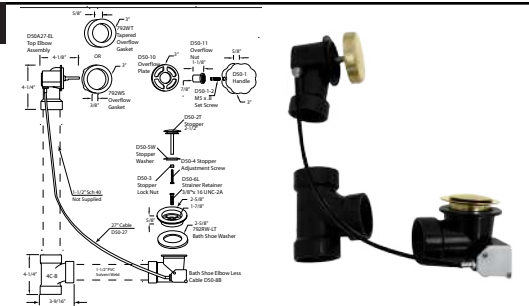
POLISHED BRASS (01 OR 03), POLISHED NICKEL (05), SATIN NICKEL (07), ANTIQUE COPPER (11), OIL RUBBED BRONZE (12), POLISHED CHROME(26), WHITE (50), AND FLAT BLACK (62)

1-1/2" Sch. 40 ABS Cable Driven BW&O

D50A27-

- 1-1/2" schedule 40 ABS cable driven bath waste 26
- 27" cable - trim includes brass handle, back plate, pop-up, and strainer plate 01, 05, 07, 12, 20, 50,
- All glue type - tubes not included 62

D50A27-LT less trim

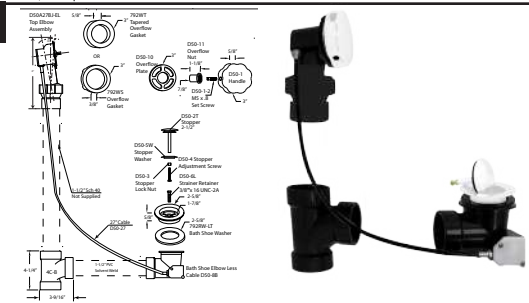


1-1/2" Sch. 40 ABS Ball Joint Cable Driven BW&O

D50A27BJ-

- 1-1/2" schedule 40 ABS cable driven bath waste 26
- 27" cable - trim includes brass handle, back plate, pop-up, and strainer plate 01, 05, 07, 12, 20, 50,
- All glue type - tubes not included 62

D50A27BJ-LT less trim

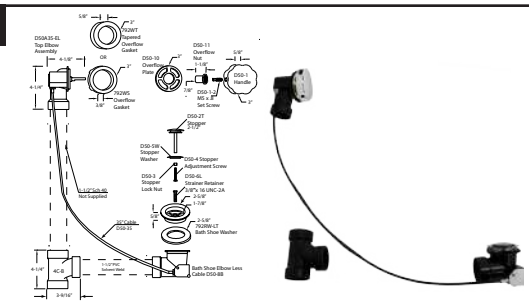


1-1/2" Sch. 40 ABS Cable Driven BW&O

D50A35-

- 1-1/2" schedule 40 ABS cable driven bath waste 26
- 35" cable - trim includes brass handle, back plate, pop-up, and strainer plate 01, 05, 07, 12, 20, 50,
- All glue type - tubes not included 62

D50A35-LT less trim

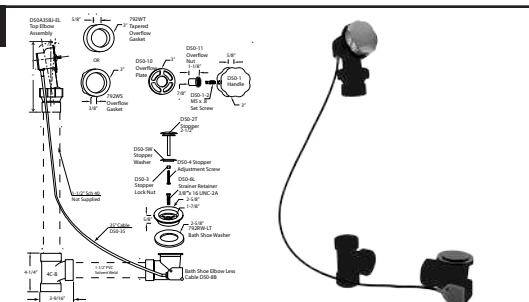


1-1/2" Sch. 40 ABS Ball Joint Cable Driven BW&O

D50A35BJ-

- 1-1/2" schedule 40 ABS cable driven bath waste 26
- 35" cable - trim includes brass handle, back plate, pop-up, and strainer plate 01, 05, 07, 12, 20, 50,
- All glue type - tubes not included 62

D50A35BJ-LT less trim

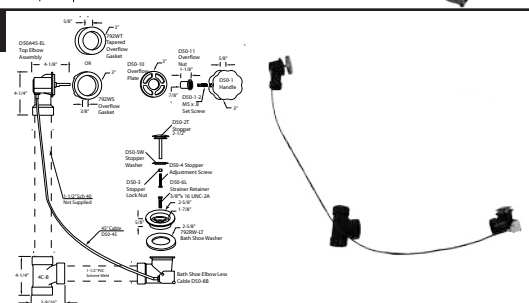


1-1/2" Sch. 40 ABS Cable Driven BW&O

D50A45-

- 1-1/2" schedule 40 ABS cable driven bath waste 26
- 45" cable - trim includes brass handle, back plate, pop-up, and strainer plate 01, 05, 07, 12, 20, 50,
- All glue type - tubes not included 62

D50A45-LT less trim

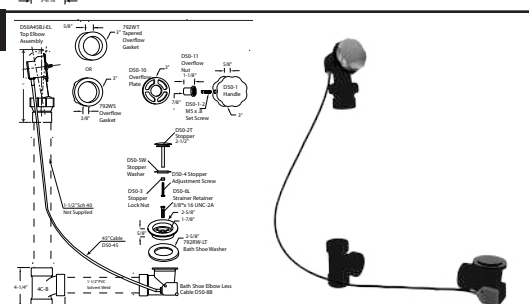


1-1/2" Sch. 40 ABS Ball Joint Cable Driven BW&O

D50A45BJ-

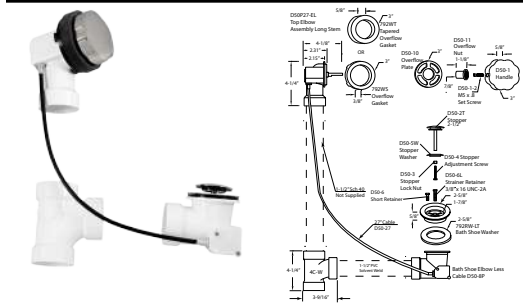
- 1-1/2" slip joint tubular cable driven bath waste 26
- 27" cable - slip joint adjustability 01, 05, 07,
- Trim includes brass handle, back plate, large stopper, and strainer plate 12, 20, 50,
- 62

D50A45BJ-LT less trim



PVC CABLE DRIVEN BATH WASTE & OVERFLOWS

POLISHED BRASS (01 OR 03), POLISHED NICKEL (05), SATIN NICKEL (07), ANTIQUE COPPER (11), OIL RUBBED BRONZE (12), POLISHED CHROME(26), WHITE (50), AND FLAT BLACK (62)

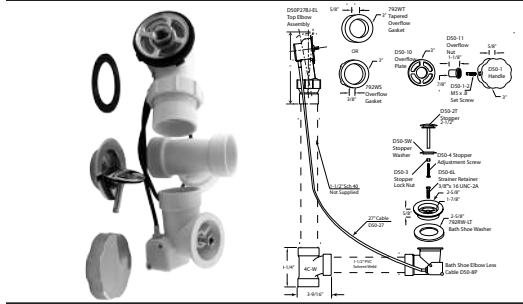


1-1/2" Sch. 40 PVC Cable Driven BW&O

D50P27-

- 1-1/2" schedule 40 PVC cable driven bath waste 26
- 27" cable - trim includes brass handle, back plate, pop-up, and strainer plate 01, 05, 07, 12, 20, 50, 62
- All glue type - tubes not included

D50P27-LT less trim

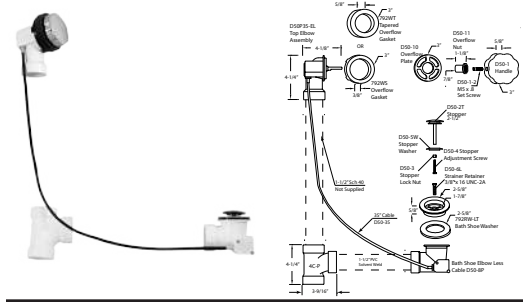


1-1/2" Sch. 40 PVC Ball Joint Cable Driven BW&O

D50P27BJ-

- 1-1/2" schedule 40 PVC cable driven bath waste 26
- 27" cable - trim includes brass handle, back plate, pop-up, and strainer plate 01, 05, 07, 12, 20, 50, 62
- All glue type - tubes not included

D50P27BJ-LT less trim

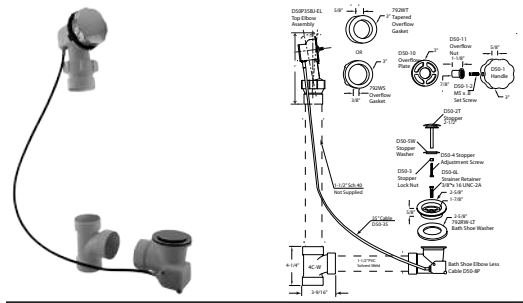


1-1/2" Sch. 40 PVC Cable Driven BW&O

D50P35-

- 1-1/2" schedule 40 PVC cable driven bath waste 26
- 35" cable - trim includes brass handle, back plate, pop-up, and strainer plate 01, 05, 07, 12, 20, 50, 62
- All glue type - tubes not included

D50P35-LT less trim

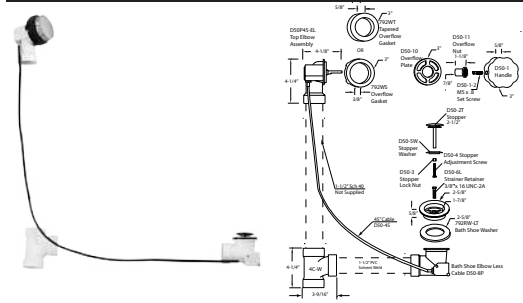


1-1/2" Sch. 40 PVC Ball Joint Cable Driven BW&O

D50P35BJ-

- 1-1/2" schedule 40 PVC cable driven bath waste 26
- 35" cable - trim includes brass handle, back plate, pop-up, and strainer plate 01, 05, 07, 12, 20, 50, 62
- All glue type - tubes not included

D50P35BJ-LT less trim

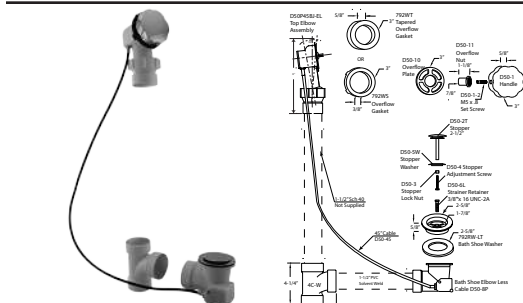


1-1/2" Sch. 40 PVC Cable Driven BW&O

D50P45-

- 1-1/2" schedule 40 PVC cable driven bath waste 26
- 45" cable - trim includes brass handle, back plate, pop-up, and strainer plate 01, 05, 07, 12, 20, 50, 62
- All glue type - tubes not included

D50P45-LT less trim



1-1/2" Sch. 40 PVC Ball Joint Cable Driven BW&O

D50P45BJ-

- 1-1/2" schedule 40 PVC cable driven bath waste 26
- 45" cable - trim includes brass handle, back plate, pop-up, and strainer plate 01, 05, 07, 12, 20, 50, 62
- All glue type - tubes not included

D50P45BJ-LT less trim

POLY - CABLE DRIVEN BATH WASTE & OVERFLOWS

POLISHED BRASS (01 OR 03), POLISHED NICKEL (05), SATIN NICKEL (07), ANTIQUE COPPER (11), OIL RUBBED BRONZE (12), POLISHED CHROME (26), WHITE (50), AND FLAT BLACK (62)

Tubular Cable Drive BW&O

D50P27TLE-

- 1-1/2" slip joint tubular cable driven bath waste 26
- 27" cable - slip joint adjustability 01, 05, 07,
- Trim includes brass handle, back plate, 12, 20, 50,
- large stopper, and strainer plate 62

D50P27TLE-LT (Less Trim)

Tubular Cable Drive BW&O

D50P35TLE-

- 1-1/2" slip joint tubular cable driven bath waste 26
- 35" cable - slip joint adjustability 01, 05, 07,
- Trim includes brass handle, back plate, 12, 20, 50,
- large stopper, and strainer plate 62

D50P35TLE-LT (Less Trim)

Standard Trim for Cable Drive BW&O

D50T-

- Trim kit for standard style cable driven bath waste 26
- Cable, tubes, and rough not included 01, 05, 07,
- Includes brass handle, pop-up, and strainer plate 12, 20, 50,
- Metal handle and stopper 62
- Fits all 1-1/2 in. Westbrass cable drives

European Style Trim for Cable Drive BW&O

D50TE-

- Trim kit for European cable driven bath waste 26
- Cable, tubes, and rough not included 01, 05, 07,
- Includes brass handle 12, 20, 50,
- Large European stopper and strainer plate 62
- Metal handle and stopper
- Fits all 1-1/2 in. Westbrass cable drives

Lever Assisted Trim for Cable Drive BW&O

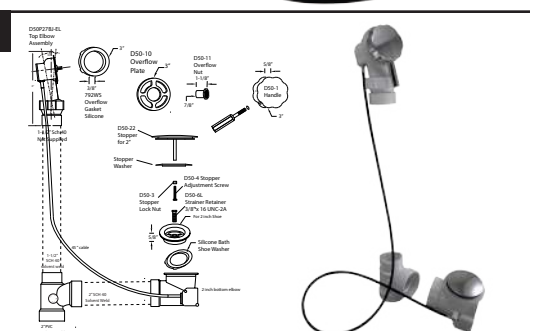
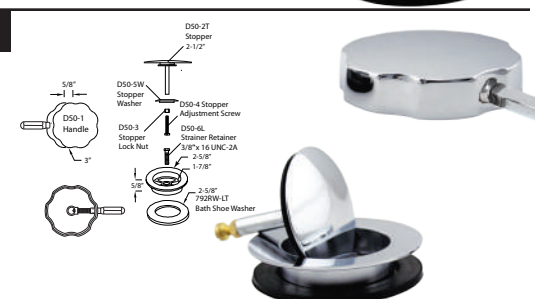
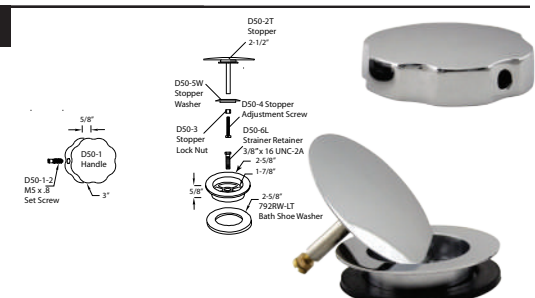
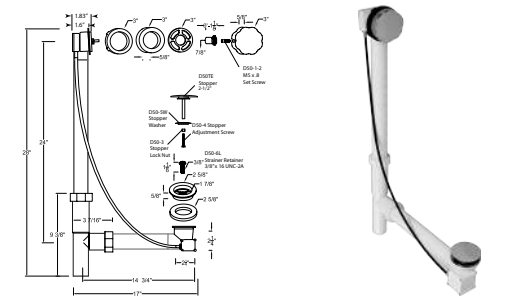
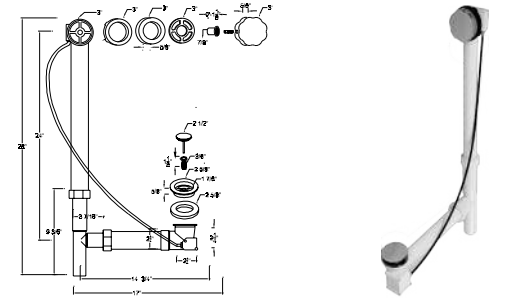
D50TP-

- Trim kit for cable driven bath waste 26
- Cable, tubes, and rough not included 01, 05, 07,
- Includes brass handle with lever attachment 12, 20, 50,
- Large stopper and strainer plate 62
- Fits all 1-1/2 in. Westbrass cable drives

Lever Assisted 2 in. Cable Drive BW&O

D52P45BJ-

- 2 in SCH. 40 PVC drain 26
- 45 in. Cable assembly for deep tubs 07, 12, 50
- Includes brass handle with lever attachment
- Large stopper and strainer plate for rapid draining
- Metal handle and stopper



NUMERICAL INDEX

***PRICING AS OF NOV. 1, 2018**

ITEM #	CHROME	FINISH	PAGE #
79217	137.5	189.2	66
79717	138.6	169.4	70
79720	130.9	147.4	70
109606		7.7	72
549800	50.6	44	27
578870	35.2	19.8	27
584850	37.4	30.8	27
705820	23.1	19.8	27
789982	35.2	31.9	27
7921820	148.5	163.9	67
7931820	130.9	163.9	69
7941817	148.5	170.5	65
7941820	126.5	163.9	65
109606W		7.7	73
112FDF		15.4	27
112MDF		15.4	27
118GC		46.2	31
1212AGV		20.9	31
1212GC		16.5	31
1212GV		11	31
1218GC		19.8	31
1224GC		22	31
1230GC		24.2	31
1236GC		26.4	31
1248GC		31.9	31
124GC		52.8	31
1260GC		36.3	31
1272GC		42.9	31
130GC		59.4	31
136GC		64.9	31
148GC		77	31
211-44046		17.6	29
211-44146		17.6	29
3812AGV		16.5	31
3812GC		15.4	31
3812GV		11	31
3818GC		17.6	31
3824GC		18.7	31
3830GC		22	31
3836GC		25.3	31
3848GC		27.5	31
3860GC		30.8	31
3872GC		33	31
442A		8.8	79
442P		8.8	79

ITEM #	CHROME	FINISH	PAGE #
493144H-	82.5	104.5	61
493144HRH-	150.7	172.7	59
493144HRHBJ-	240.9	262.9	59
493244H-	82.5	104.5	61
493244HLD-	93.5	115.5	51
D493244SLD-	82.5	108.9	51
494144H-	82.5	104.5	61
494244H-	82.5	104.5	61
502800G	40.7	31.9	27
5818GC		24.2	31
5824GC		27.5	31
5830GC		28.6	31
5834AGV		25.3	31
5834GV		20.9	31
5836GC		33	31
5848GC		39.6	31
5860GC		45.1	31
5872GC		51.7	31
592144-	45.1	71.5	72
592244-	45.1	71.5	73
593144-	45.1	71.5	72
593244-	45.1	71.5	73
594144-	45.1	71.5	72
594244-	45.1	71.5	73
597144-	45.1	71.5	72
597244-	45.1	71.5	73
7921817-	155.1	177.1	67
79220-	125.4	147.4	66
792BB		13.2	84
792BB-2		23.1	84
792BB-4		64.9	84
792BR		6.6	84
79317-	133.1	163.9	68
79317H-	169.4	191.4	60
7931817-	148.5	170.5	69
7931817-AF-	150.7	162.8	63
7931817BJCHM-	273.9	295.9	55
7931817BJLD-	196.9	218.9	48
7931817CHM-	203.5	225.5	56
7931817-DC-	150.7	162.8	63
7931817H-	184.8	206.8	60
7931817LD-	306.9	328.9	49
7931817-SO-	150.7	162.8	63
79320-	119.9	152.9	68
7932420BJHRDC-	372.9	394.9	59

ITEM #	CHROME	FINISH	PAGE #
7932420HRDC-	287.1	312.4	59
79338MO		11	79
793516MO		11	79
79417-	133.1	163.9	64
79417H-	169.4	191.4	60
7941817H-	184.8	206.8	60
7941817LT-AF		145.2	63
7941817LT-DC		145.2	63
7941817LT-SO		145.2	63
79420-	119.9	152.9	64
7951817-	279.4	345.4	63
796962B	37.4	30.8	27
7971817-	154	176	71
7971820-	132	169.4	71
7982420HBJ-	203.5	225.5	58
818-F		7.7	84
ASB-	97.9	119.9	6
ASB-2B3-	108.9	141.9	6
ASB-2RB3-RB-	137.5	158.4	6
ASB-B3-	48.4	69.3	6
ASB-RB3-	63.8	88	6
Ball Joint			57
D0133-40		9.9	18
D103-	38.5	53.9	17
D103BL-	48.4	61.6	17
D103BX-	48.4	61.6	17
D103K12-	73.7	103.4	20
D103K12X-	104.5	144.1	21
D103K15-	74.8	104.5	20
D103K15X-	105.6	145.2	21
D103K20-	75.9	105.6	20
D103K20X-	106.7	154	21
D103KBN-	148.5	213.4	20
D103KBNX-	218.9	299.2	21
D103KFH-	74.8	107.8	20
D103KFHX-	108.9	148.5	21
D103X-	73.7	89.1	17
D105-	38.5	53.9	17
D105BL-	48.4	61.6	17
D105BX	48.4	61.6	17
D105K12-	46.2	63.8	22
D105K12X-	85.8	121	23
D105K15-	47.3	64.9	22
D105K15X-	86.9	122.1	23
D105K20-	48.4	66	22

ITEM #	CHROME	FINISH	PAGE #
D105K20X-	88	123.2	23
D105KBN-	92.4	104.5	22
D105KBNX-	179.3	229.9	23
D105KFH-	46.2	63.8	22
D105KFHX-	91.3	114.4	23
D105X-	73.7	89.1	17
D1112-	55	77	16
D1112X-	90.2	112.2	16
D1114-	55	77	16
D1114X-	90.2	112.2	16
D112	14.3	19.8	16
D113	15.4	20.9	16
D1131	16.5	22	16
D114	17.6	23.1	16
D115	17.6	25.3	16
D116	18.7	26.4	16
D117	19.8	27.5	16
D118	20.9	29.7	16
D119	13.2	18.7	16
D120	15.4	20.9	16
D121	17.6	26.4	16
D12104-	18.7	24.2	16
D12106-	25.3	33	16
D12108-	44	57.2	16
D12112-	55	66	16
D12119-	95.7	140.8	16
D12124-	139.7	161.7	16
D12136-	171.6	194.7	16
D12148-	251.9	341	16
D122	19.8	29.7	16
D123	15.4	20.9	16
D124	17.6	23.1	16
D125	19.8	27.5	16
D126	22	30.8	16
D128-26	4.4		28
D129-26	4.4		28
D135-	69.3	108.9	36
D135-108-	194.7	229.9	36
D135-108X-	260.7	295.9	36
D135-110	149.6	183.7	36
D135-110X-	215.6	249.7	36
D136-	69.3	108.9	36
D136-108-	194.7	229.9	36
D136-108X-	260.7	295.9	36
D136-110-	149.6	183.7	36

NUMERICAL INDEX

***PRICING AS OF NOV. 1, 2018**

ITEM #	CHROME	FINISH	PAGE #
D136-110X-	215.6	249.7	36
D1538L-	211.2	299.2	25
D1612TBL-	82.5	100.1	18
D1612TXB-	82.5	100.1	19
D1613TBL-	82.5	100.1	18
D1613TBX-	82.5	100.1	19
D1614TBL-	82.5	100.1	18
D1614TBX-	82.5	100.1	19
D1615TBL-	82.5	100.1	18
D1615TBX-	82.5	100.1	19
D1638L-	272.8	345.4	25
D1712T-	114.4	158.4	18
D1738L-	272.8	345.4	25
D1812T-	114.4	158.4	19
D1838L-	272.8	345.4	25
D1938L-	283.8	361.9	25
D19103BLK-	247.50	302.50	25
D19103B XK-	247.50	302.50	25
D19105BLK-	247.50	302.50	26
D19105B XK-	247.50	302.50	26
D200-	19.8	29.7	7
D200-1-	26.4	33	7
D200-26	19.8		28
D200F-1-	31.9	38.5	7
D200P-	11	11	28
D200P-	11	11	8, 28
D201-	15.4	19.8	8
D201-1-	23.1	27.5	8
D201CD	49.5	66	7
D201ST-	49.5	66	7
D201ST-NAG-	44	60.5	8
D202-	11	19.8	8
D2031-NL-	79.2	119.9	10
D2033-NL-	163.9	218.9	10
D2035-NL-	328.9	390.5	10
D2036-NL-	163.9	218.9	10
D2037-NL-	328.9	409.2	10
D203-NL-	75.9	108.9	10
D2041HFP-	786.5	877.8	13
D204HFP-	786.5	877.8	12
D2051HFP-	843.7	918.5	13
D205HFP-	874.5	995.5	12
D206B-	80.3	108.9	45
D206B-LAS-	80.3	108.9	45
D206BS-	86.9	115.5	45

ITEM #	CHROME	FINISH	PAGE #
D206P-	27.5	52.8	45
D206PS-	35.2	63.8	45
D206-SQG-	28.6	57.2	45
D2071HFP-	944.9	1,023.00	12
D207HFP-	979	1,089.00	12
D2082-	59.4	71.5	3
D2082S-	86.9	133.1	3
D2089-	49.5	63.8	3
D2089SEV-	74.8	114.4	3
D209-	19.8	26.4	3
D2091-		33	2
D2105-	86.9	133.1	3
D212-	108.9	132	2
D213-	85.8	97.9	5
D2135-	156.2	185.9	4
D214-	77	90.2	5
D2143P-		44	5
D2145-	141.9	162.8	4
D2155-	123.2	147.4	4
D2165-	130.9	138.6	4
D217-	50.6	67.1	14
D2170P-	49.5	66	7
D2170P-NAG-	44	60.5	8
D2171-	118.8	139.7	14
D2172-	118.8	139.7	14
D2175-	121	145.2	14
D2176-	127.6	144.1	14
D2178-	118.8	139.7	14
D218-	44	57.2	5
D2181-	41.8	55	5
D220-	35.2	48.4	5
D261HFB-	757.9	801.9	11
D262HFB	838.2	865.7	11
D271HFB	755.7	801.9	11
D272HFB	838.2	865.7	11
D282HFP-26	878.9		13
D300-1-	22	30.8	37
D301-1-	26.4	35.2	37
D302-1-	30.8	40.7	37
D303-81-	73.7	93.5	37
D306-	49.5	64.9	39
D308-	115.5	214.5	39
D309-	46.2	53.9	42
D310-	68.2	91.3	43
D3101-	152.9	207.9	43

ITEM #	CHROME	FINISH	PAGE #
D311-	80.3	103.4	43
D3111-	174.9	218.9	43
D3112-	141.9	196.9	43
D312-	33	45.1	47
D313-	37.4	49.5	47
D316-	39.6	53.9	46
D317-	30.8	42.9	47
D3171-	47.3	58.3	47
D318-	27.5	37.4	46
D319-	23.1	34.1	46
D3191-	22	33	46
D3192	23.1	33	46
D3193-	23.1	33	46
D3198-	16.5	22	46
D320-	86.9	108.9	47
D3201-	91.3	126.5	47
D321-	133.1	163.9	64
D3211HK-	240.9	254.1	62
D3211K-	207.9	229.9	64
D321-20G-	119.9	152.9	64
D321H-	169.4	191.4	60
D322-	148.5	170.5	65
D3221K-	218.9	243.1	65
D322-20G-	126.5	163.9	65
D322H-	184.8	206.8	60
D323-	137.5	159.5	66
D3231K-	218.9	251.9	66
D323-20G-	125.4	147.4	66
D324-	155.1	177.1	67
D3241K-	229.9	262.9	67
D324-20G-	148.5	163.9	67
D325-	133.1	163.9	68
D3251HK-	240.9	262.9	62
D3251K-	207.9	229.9	68
D325-20G-	119.9	152.9	68
D3256K-	251.9	265.1	71
D325H-	169.4	191.4	60
D326-	148.5	170.5	69
D326124HKBJ-	295.9	317.9	58
D3261BJLD-	383.9	405.9	50
D3261HK-	257.4	284.9	62
D3261HKBJ-	328.9	350.9	62
D3261K-	218.9	243.1	69
D3261KBJCHM-	317.9	361.9	55
D3261KCHM-	291.5	346.5	55

ITEM #	CHROME	FINISH	PAGE #
D3262-	138.6	169.4	70
D326-20G-	130.9	163.9	69
D3262-20G-	130.9	147.4	70
D3263K-	240.9	243.1	70
D3264-	154	176	71
D3264-20G	132	169.4	71
D3265HK-	257.4	284.9	62
D3265K-	251.9	265.1	71
D326H-	184.8	206.8	60
D326HBJ-	203.5	225.5	58
D327-	13.2	26.4	80
D328-	6.6	20.9	80
D329-	13.2	26.4	80
D330-	24.2	37.4	80
D331-	37.4	59.4	78
D3311-C-	37.4	59.4	78
D3311-F-	37.4	59.4	78
D331-F-	37.4	59.4	78
D3322-	37.4	59.4	79
D3323-	37.4	59.4	79
D348-	63.8	86.9	42
D354-	48.4	72.6	42
D355-	60.5	60.5	42
D355P-		26.4	42
D3604A-	37.4	49.5	39
D3606A-	44	60.5	39
D3608A-	55	75.9	39
D3609S-	81.4	104.5	39
D3612A-	66	90.2	39
D3619A-	108.9	161.7	39
D3624A-	159.5	172.7	39
D3636A-	183.7	203.5	39
D3648A-	259.6	335.5	39
D3700-1-	68.2	90.2	38
D3703-1-	103.4	149.6	38
D3711-	99	137.5	38
D3712-	145.2	179.3	38
D398R-	49.5	71.5	79
D398RK-	82.5	99	77
D400-1-	91.3	114.4	26
D400G-	40.7	31.9	27
D401-1-	91.3	114.4	26
D4011-1-	91.3	114.4	26
D402LA-	46.2	35.2	27
D402NE-1-	99	125.4	26

NUMERICAL INDEX

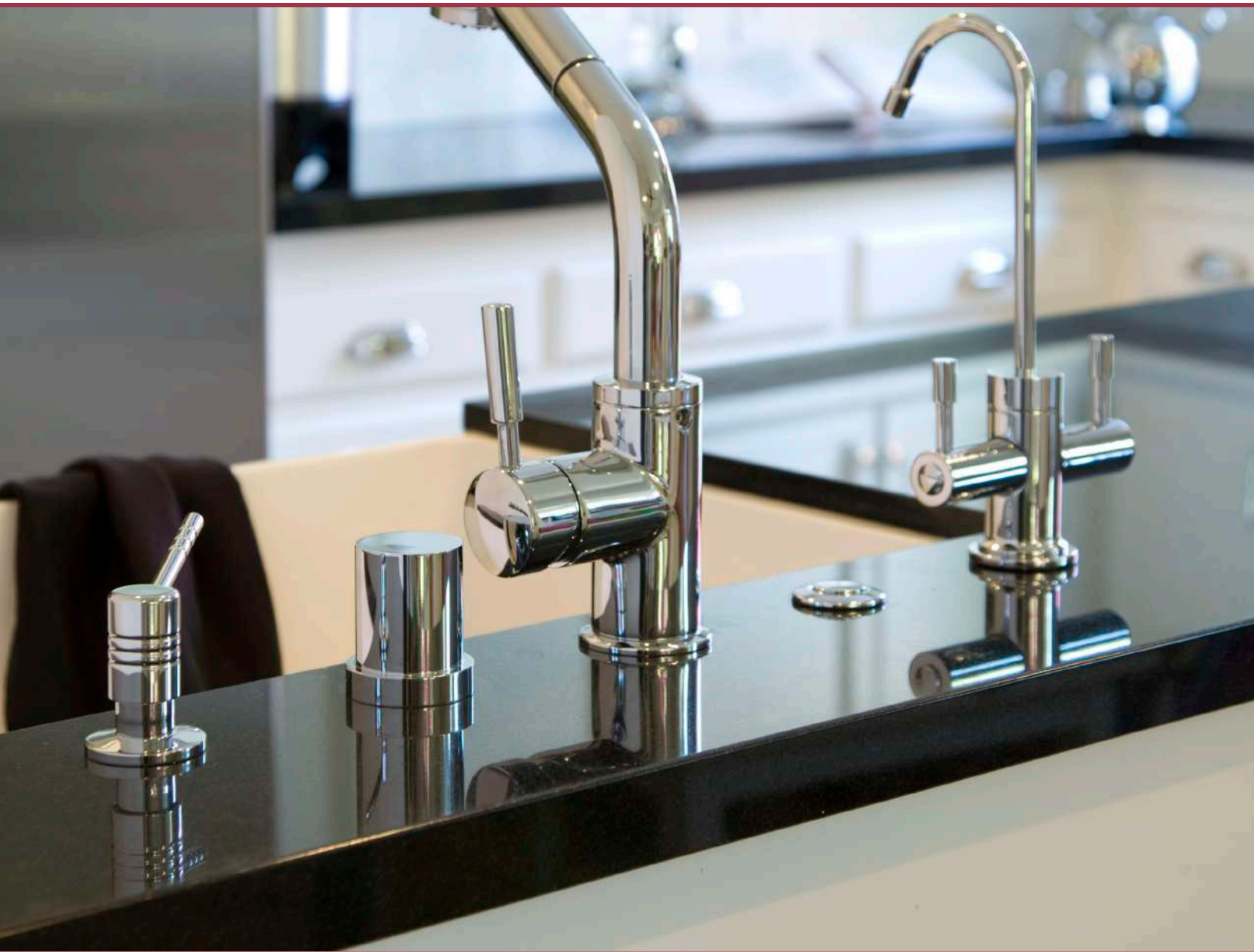
***PRICING AS OF NOV. 1, 2018**

ITEM #	CHROME	FINISH	PAGE #
D403LA-	46.2	35.2	27
D4053-1-	130.9	163.9	26
D410-	73.7	101.2	33
D410-12-	102.3	125.4	33
D410-2-	102.3	125.4	33
D410A-	104.5	108.9	35
D410A-1-	104.5	108.9	35
D410E-	127.6	157.3	35
D410SP-	27.5	38.5	34
D410Z-	127.6	157.3	35
D411-12-	80.3	114.4	34
D411-2-	80.3	114.4	34
D411A-	90.2	133.1	33
D411A-1-	90.2	133.1	33
D412-12-	133.1	144.1	34
D412-2-	88	101.2	34
D416-	26.4	18.7	27
D417-	30.8	19.8	27
D4171-	35.2	31.9	27
D419-	40.7	61.6	32
D41912-	40.7	61.6	32
D41912-RAW	29		32
D420-	42.9	64.9	32
D421-	45.1	68.2	32
D42116	37.4	30.8	27
D422-	42.9	64.9	32
D422T-26	23.1		27
D423-	45.1	68.2	32
D42316-	37.4	30.8	27
D430-	50.6	44	27
D432-	23.1	19.8	27
D4931-	45.1	71.5	74
D49311-	45.1	71.5	74
D4932-	45.1	71.5	75
D49321-	45.1	71.5	75
D493244CH-	97.9	130.9	53
D493244LD-	93.5	115.5	52
D493244SLD-	82.5	104.50	51
D493CHM-	33	55	81
D493CHPM	73.7	93.5	81
D4941-	45.1	71.5	74
D49411-	45.1	71.5	74
D4942-	45.1	71.5	75
D49421-	45.1	71.5	75
D4971-	45.1	71.5	74

ITEM #	CHROME	FINISH	PAGE #
D49711-	45.1	71.5	74
D4972-	45.1	71.5	75
D49721-	45.1	71.5	75
D502-	53.9	108.9	41
D503-	53.9	108.9	41
D504-	53.9	108.9	41
D505-	53.9	108.9	41
D50A27-	151.8	193.6	85
D50A27BJ-	157.3	200.2	85
D50A27BJ-LT		74.8	85
D50A27-LT		66	85
D50A35-	158.4	200.2	85
D50A35BJ-	163.9	206.8	85
D50A35BJ-LT		81.4	85
D50A35-LT		74.8	85
D50A45-	163.9	206.8	85
D50A45BJ-	171.6	213.4	85
D50A45BJ-LT		86.9	85
D50A45-LT		81.4	85
D50P27-	151.8	193.6	86
D50P27BJ-	157.3	200.2	86
D50P27BJ-LT		74.8	86
D50P27-LT		69.3	86
D50P27TLE-	158.4	202.4	87
D50P27TLE-LT		85.8	87
D50P35-	158.4	200.2	86
D50P35BJ-	163.9	206.8	86
D50P35BJ-LT		81.4	86
D50P35-LT		74.8	86
D50P35TLE-	163.9	206.8	87
D50P35TLE-LT		85.8	87
D50P45-	163.9	206.8	86
D50P45BJ-	171.6	213.4	86
D50P45BJ-LT		86.9	86
D50P45-LT		81.4	86
D50T-	86.9	133.1	87
D50TE-	89.1	135.3	87
D50TP-	104.5	149.6	87
D52P45BJ-	198	275	87
D532-	42.9	64.9	83
D534-	42.9	64.9	83
D542-	42.9	64.9	83
D544-	42.9	64.9	83
D560RK	82.5	104.5	52
D572-	42.9	64.9	83

ITEM #	CHROME	FINISH	PAGE #
D574-	42.9	64.9	83
D593ARK-	73.7	93.5	82
D593CHPM	73.7	93.5	81
D593PRK-	73.7	93.5	82
D594AHRK-	73.7	93.5	82
D594PHRK-	73.7	93.5	82
D598AHRK-	73.7	93.5	82
D6033-40		13.2	19
D6033-40		13.2	30
D92-	30.8	52.8	78
D92K-	50.6	70.4	78
D93-	46.2	66	77
D931K-	47.3	69.3	76
D93-2-	49.5	71.5	77
D93K-	50.6	72.6	76
D94-	45.1	67.1	77
D941K-	47.3	69.3	76
D94-2-	47.3	69.3	77
D94H-	66	88	77
D94HK-	71.5	93.5	76
D94K-	50.6	72.6	76
D980R-	49.5	64.9	80
D98HRK-	85.8	96.8	76
D98R-	103.4	125.4	79
D98RK-	141.9	163.9	79
DCBS		19.8	28
Deep Soak Operation			54
DWPCSDL-12		73.7	30
DWPCSDL-14		92.4	30
E507-1F-	40.7	DISC	44
E5074-1F-	40.7	DISC	44
E5074D-1F-	55	DISC	44
E507D-1F-	55	DISC	44
EODBS		16.5	28
FRO-100		195.8	9
FRO-1R		72.6	9
G2CR19XC	20.9		29
HARD		48.4	30
I3341	18.7		29
IEODS		16.5	28
IWC-1	DISC	DISC	
KTCR19XC	28.6		29
NM1BRP-26	46.2		40
NM2BP-26	46.2		40
NM2K-26	56.1		1

ITEM #	CHROME	FINISH	PAGE #
QHT-1FPV		421.3	9
QHT-3FPV		485.1	9
R500-	48.4	66	4
S1222		7.7	24
S1238		7.7	24
S12WHC		15.4	24
S15WHC		16.5	24
S1622		8.8	24
S1638		7.7	24
S18WHC		17.6	24
S2022		8.8	24
S2038		8.8	24
S2422		9.9	24
S2438		8.8	24
S24WHC		20.9	24
S412BS		13.2	28
S48WMH		16.5	24
S48WMHE		22	24
S60WMH		18.7	24
S60WMHE		24.2	24
S72WMH		19.8	24
S72WMHE		27.5	24
SOFT		53.9	30
SSP42A-G		12.1	29
SSP43A-G		12.1	29
SSPF42A-G		17.6	29
SSPF43A-G		17.6	29
T0922		7.7	24
T0938		7.7	24
T1222		7.7	24
T1222B		9.9	24
T1238		7.7	24
T1238B		8.8	24
T1622		8.8	24
T1622B		11	24
T1638		8.8	24
T1638B		9.9	24
TK-1		6.6	84
TK-2		6.6	84
WAS00X-	108.9	149.6	40
WAS01-	187	198	1
WAS15-	114.4	125	1



\$10.00 US

WESTBRASS

Fine Decorative Plumbing Since 1935

2429 E. Olympic Blvd., Los Angeles, CA 90021 • Fax 213-627-2844
(213) 627-8441 • info@westbrass.com • www.westbrass.com