



Price List **2019**

Contact Us

- Purchase Orders, Existing Order Inquiries orders@qm-us.com
- General Inquiries, Literature Requests info@qm-us.com
- Projects and Custom Fabrication Quote orders@qm-us.com
- Returned Good Authorizations orders@qm-us.com
- Terms and Conditions posted on QM's website <http://qmdrain.com>



Contents

Linear Drain

	Page
Delmar Standard Length	04
Delmar Standard Length with Flange Edge	06
Delmar Adjustable with 2" Outlet	08
Delmar Adjustable with 3" Outlet (High Flow)	09
Lagos Adjustable with 2" Outlet	12
Lagos Adjustable with 3" Outlet (High Flow)	13
Delmar Supreme	16
Bay 2 in 1	17
Bay Ria Linear Drain	18
Lagos Veil Linear Drain	19

Center Drain

	Page
Delmar Square	20
Lagos Square	21
Bay Square and Round (International Only)	22

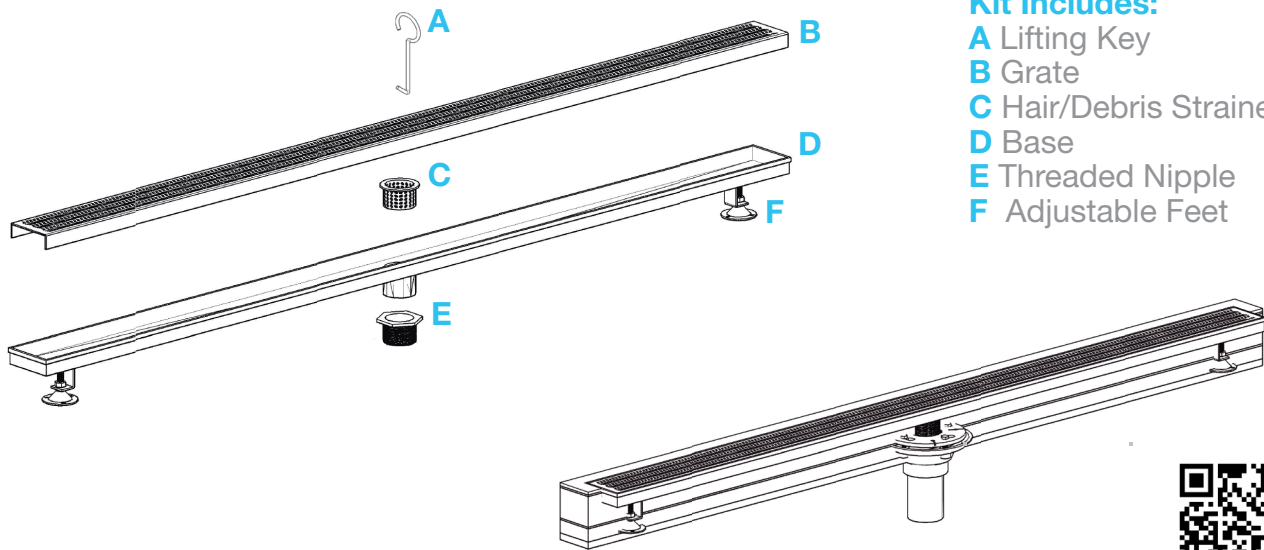
Additional

	Page
Parts	23
Custom	24

Delmar Series

100% Stainless Steel 316 top to bottom

Standard Length Linear Drain



- Kit Includes:**
A Lifting Key
B Grate
C Hair/Debris Strainer
D Base
E Threaded Nipple
F Adjustable Feet








Specifications available at:
<http://qmdrain.com/product-category/linear-drains/standard-delmar/>



Watch Installation Video

LINEAR DRAIN	GRATE DESIGN	FINISH	SIZE	SKU	MSRP USD
	Nami	Satin	24"	33.100.02	\$ 329.00
			28"	33.100.03	\$ 365.00
			32"	33.100.04	\$ 399.00
			36"	33.100.05	\$ 429.00
	Kai	Satin	24"	33.200.02	\$ 329.00
			28"	33.200.03	\$ 365.00
			32"	33.200.04	\$ 399.00
			36"	33.200.05	\$ 429.00
	Delta	Satin	24"	33.300.02	\$ 329.00
			28"	33.300.03	\$ 365.00
			32"	33.300.04	\$ 399.00
			36"	33.300.05	\$ 429.00
			48"	33.300.06	\$ 625.00
		Polished	58"	33.300.07	\$ 735.00
			24"	33.300.02 P	\$ 465.00
			28"	33.300.03 P	\$ 515.00
			32"	33.300.04 P	\$ 559.00
			36"	33.300.05 P	\$ 605.00
48"	33.300.06 P	\$ 745.00			
58"	33.300.07 P	\$ 865.00			

DelmarSeries \ Standard Length Linear Drain

	Lotus	Bronze	24"	33.400.02	\$ 465.00
			28"	33.400.03	\$ 515.00
			32"	33.400.04	\$ 559.00
			36"	33.400.05	\$ 605.00
			48"	33.400.06	\$ 745.00
			58"	33.400.07	\$ 865.00
		ORB/Black	24"	33.400.02 ORB	\$ 465.00
			28"	33.400.03 ORB	\$ 515.00
			32"	33.400.04 ORB	\$ 559.00
			36"	33.400.05 ORB	\$ 605.00
			48"	33.400.06 ORB	\$ 745.00
			58"	33.400.07 ORB	\$ 865.00
		Satin Gold	24"	33.400.02 G	\$ 465.00
			28"	33.400.03 G	\$ 515.00
			32"	33.400.04 G	\$ 559.00
			36"	33.400.05 G	\$ 605.00
			48"	33.400.06 G	\$ 745.00
			58"	33.400.07 G	\$ 865.00
	Mist (Tile-In)	Satin	24"	33.500.02	\$ 465.00
			28"	33.500.03	\$ 495.00
			32"	33.500.04	\$ 525.00
			36"	33.500.05	\$ 565.00
			48"	33.500.06	\$ 695.00
			58"	33.500.07	\$ 825.00
		ORB/Black	24"	33.500.02 ORB	\$ 565.00
			28"	33.500.03 ORB	\$ 595.00
			32"	33.500.04 ORB	\$ 625.00
			36"	33.500.05 ORB	\$ 665.00
			48"	33.500.06 ORB	\$ 795.00
			58"	33.500.07 ORB	\$ 925.00
	Wedgewire	Satin	24"	33.700.02	\$ 465.00
			28"	33.700.03	\$ 515.00
			32"	33.700.04	\$ 559.00
			36"	33.700.05	\$ 605.00
			48"	33.700.06	\$ 745.00
			58"	33.700.07	\$ 865.00
		Polished	24"	33.700.02 P	\$ 515.00
			28"	33.700.03 P	\$ 570.00
			32"	33.700.04 P	\$ 615.00
			36"	33.700.05 P	\$ 670.00
			48"	33.700.06 P	\$ 820.00
			58"	33.700.07 P	\$ 950.00

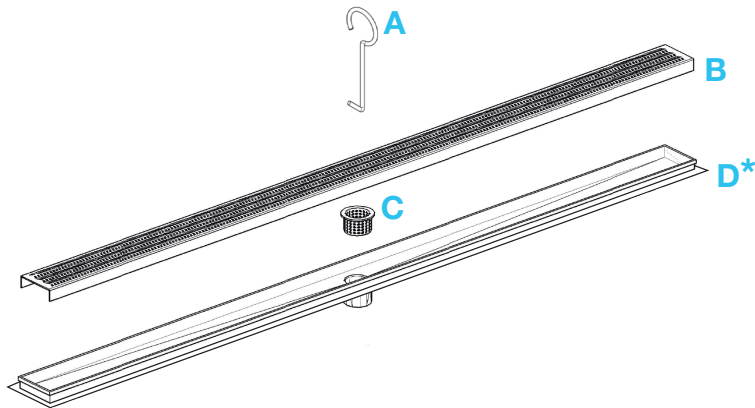
Clampdown flange drain is not included in kit. If needed, add:

PARTS	SKU	ITEM DESCRIPTION	MSRP USD
	83.100.00PVC	QM PVC Flange Drain 2" throat, 2" outlet	\$ 15.00
	83.100.00ABS	QM ABS Flange Drain 2" throat, 2" outlet	\$ 17.00
	83.100.01	Cast Iron Flange Drain 2" throat, 2" outlet	\$ 85.00
	83.100.01F	Cast Iron Flange Drain 2" throat, 2" outlet FIP	\$ 85.00

DelmarSeries

100% Stainless Steel 316 top to bottom

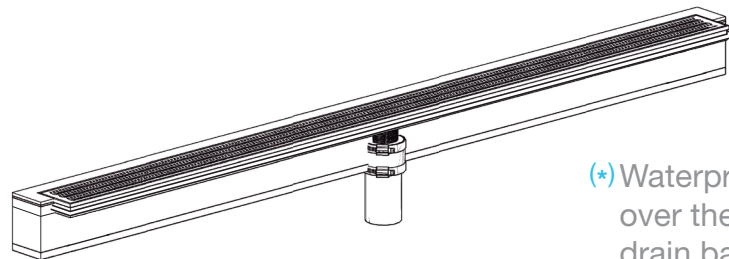
Standard Length Linear Drain with Flange Edge



Kit Includes:

- A** Lifting Key
- B** Grate
- C** Hair/Debris Strainer
- D*** Base with Flange Edge*

Specifications and installation instruction available at:
<http://qmdrain.com/product-category/linear-drains/standard-delmar/>



(*) Waterproofing is installed over the flange edge of the drain base after the drain is connected.

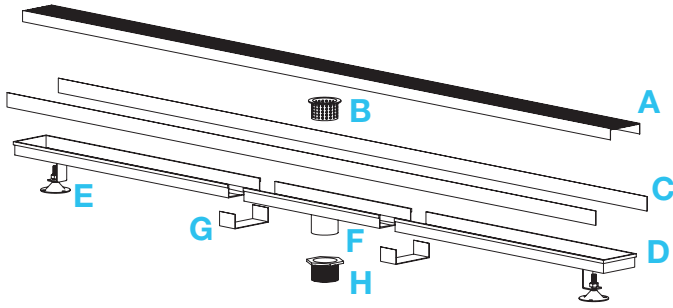
DelmarSeries \ **Standard Length Linear Drain with Flange Edge**

LINEAR DRAIN	GRATE DESIGN	FINISH	SIZE	SKU	MSRP USD
	Nami	Satin	24"	33.100.02 F	\$ 379.00
			28"	33.100.03 F	\$ 415.00
			32"	33.100.04 F	\$ 449.00
			36"	33.100.05 F	\$ 479.00
	Kai	Satin	24"	33.200.02 F	\$ 379.00
			28"	33.200.03 F	\$ 415.00
			32"	33.200.04 F	\$ 449.00
			36"	33.200.05 F	\$ 479.00
	Delta	Satin	24"	33.300.02 F	\$ 379.00
			28"	33.300.03 F	\$ 415.00
			32"	33.300.04 F	\$ 449.00
			36"	33.300.05 F	\$ 479.00
			48"	33.300.06 F	\$ 675.00
		Polished	24"	33.300.02P F	\$ 515.00
			28"	33.300.03P F	\$ 565.00
			32"	33.300.04P F	\$ 609.00
			36"	33.300.05P F	\$ 655.00
			48"	33.300.06P F	\$ 795.00
	Mist (Tile-In)	Satin	24"	33.500.02 F	\$ 515.00
			28"	33.500.03 F	\$ 565.00
			32"	33.500.04 F	\$ 575.00
			36"	33.500.05 F	\$ 615.00
			48"	33.500.06 F	\$ 745.00
			58"	33.500.07 F	\$ 875.00
	Wedgewire	Satin	24"	33.700.02 F	\$ 515.00
			28"	33.700.03 F	\$ 565.00
			32"	33.700.04 F	\$ 609.00
			36"	33.700.05 F	\$ 655.00
			48"	33.700.06 F	\$ 795.00
			58"	33.700.07 F	\$ 915.00
		Polished	24"	33.700.02P F	\$ 565.00
			28"	33.700.03P F	\$ 620.00
			32"	33.700.04P F	\$ 665.00
			36"	33.700.05P F	\$ 720.00
			48"	33.700.06P F	\$ 870.00
			58"	33.700.07P F	\$ 1,000.00

Delmar Series

100% Stainless Steel 316 top to bottom

Adjustable Linear Drain 2" Outlet



- Kit Includes:**
- A** Grate
 - B** Hair/Debris Strainer
 - C** Trims
 - D** Base
 - E** Leveling Legs
 - F** 2" Outlet
 - G** Joiners
 - H** Threaded Nipple / Adapter + Sikaflex Sealant + Stainless Steel Cutting Blade



Watch Installation Video

Specifications available at:
<http://qmdrain.com/product-category/linear-drains/adjustable-delmar/>

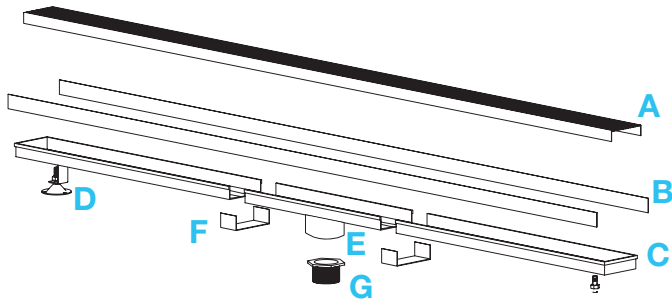
LINEAR DRAIN	GRATE DESIGN	FINISH	SIZE	SKU	MSRP USD
	WedgeWire	Satin	36"	33.610.36	\$ 820.00
			48"	33.610.48	\$ 988.00
			60"	33.610.60	\$ 1,156.00
			72"	33.610.72*	\$ 1,564.00
			96"	33.610.96*	\$ 1,956.00
		Polished	36"	33.610.36P	\$ 919.00
			48"	33.610.48P	\$ 1,107.00
			60"	33.610.60P	\$ 1,292.00
			72"	33.610.72P*	\$ 1,720.00
			96"	33.610.96P*	\$ 2,299.00
	Perforated	Satin	36"	33.620.36	\$ 485.00
			48"	33.620.48	\$ 585.00
			60"	33.620.60	\$ 715.00
			72"	33.620.72*	\$ 1,080.00
			96"	33.620.96*	\$ 1,250.00
		Polished	36"	33.620.36 P	\$ 517.00
			48"	33.620.48 P	\$ 623.00
			60"	33.620.60 P	\$ 763.00
			72"	33.620.72 P*	\$ 1,139.00
			96"	33.620.96 P*	\$ 1,325.00
	Mist (Tile-In)	Satin	36"	33.630.36	\$ 695.00
			48"	33.630.48	\$ 876.00
			60"	33.630.60	\$ 1,040.00
			72"	33.630.72*	\$ 1,460.00
			96"	33.630.96*	\$ 1,660.00
		Polished	36"	33.630.36 P	\$ 699.00
			48"	33.630.48 P	\$ 882.00
			60"	33.630.60 P	\$ 1,048.00
			72"	33.630.72 P*	\$ 1,472.00
			96"	33.630.96 P*	\$ 1,670.00

(*) 72" and 96" Kit includes two outlets, two hair strainers, two pair of joiners and two adapters. 96" Wedgewire Kit shipped with two 48" grates. Clampdown flange drain is not included in Kit.

DelmarSeries

100% Stainless Steel 316 top to bottom

Adjustable Linear Drain 3" Outlet (High Flow)



Kit Includes:

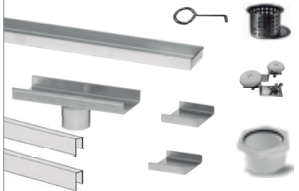
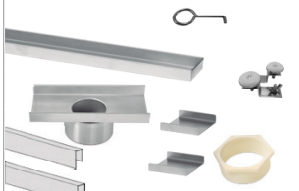
- A** Grate
- B** Trims
- C** Base
- D** Leveling Legs
- E** 3" Outlet
- F** Joiners
- G** Threaded Nipple / Adapter + Sikaflex Sealant + Stainless Steel Cutting Blade

Specifications available at:
<http://qmdrain.com/product-category/linear-drains/adjustable-delmar/>

LINEAR DRAIN	GRATE DESIGN	FINISH	SIZE	SKU	MSRP USD
	Wedgewire	Satin	36"	33.610.36 HF	\$ 870.00
			48"	33.610.48 HF	\$ 1,038.00
			60"	33.610.60 HF	\$ 1,206.00
			72"	33.610.72 HF*	\$ 1,614.00
			96"	33.610.96 HF*	\$ 2,006.00
		Polished	36"	33.610.36 P HF	\$ 969.00
			48"	33.610.48 P HF	\$ 1,157.00
			60"	33.610.60 P HF	\$ 1,342.00
			72"	33.610.72 P HF*	\$ 1,770.00
			96"	33.610.96 P HF*	\$ 2,348.00
	Perforated	Satin	36"	33.620.36 HF	\$ 535.00
			48"	33.620.48 HF	\$ 635.00
			60"	33.620.60 HF	\$ 765.00
			72"	33.620.72 HF*	\$ 1,130.00
			96"	33.620.96 HF*	\$ 1,300.00
		Polished	36"	33.620.36 P HF	\$ 567.00
			48"	33.620.48 P HF	\$ 673.00
			60"	33.620.60 P HF	\$ 813.00
			72"	33.620.72 P HF*	\$ 1,186.00
			96"	33.620.96 P HF*	\$ 1,375.00
	Mist (Tile-In)	Satin	36"	33.630.36 HF	\$ 745.00
			48"	33.630.48 HF	\$ 926.00
			60"	33.630.60 HF	\$ 1,090.00
			72"	33.630.72 HF*	\$ 1,510.00
			96"	33.630.96 HF*	\$ 1,710.00
		Polished	36"	33.630.36 P HF	\$ 749.00
			48"	33.630.48 P HF	\$ 932.00
			60"	33.630.60 P HF	\$ 1,098.00
			72"	33.630.72 P HF*	\$ 1,526.00
			96"	33.630.96 P HF*	\$ 1,720.00

(*) 72" and 96" Kit includes two outlets, two pair of joiners and two adapters. 96" Wedgewire Kit shipped with two 48" grates. Clampdown flange drain is not included in Kit.


DelmarSeries \ Adjustable Linear Drain Parts

		FINISH	KIT SIZE	SKU	MSRP USD
	Adjustable 2" Outlet Base Kit: All except the Grate	Satin	36"	33.B600.36	\$ 325.00
			48"	33.B600.48	\$ 395.00
			60"	33.B600.60	\$ 475.00
			72"	33.B600.72*	\$ 785.00
			96"	33.B600.96*	\$ 875.00
		Polished	36"	33.B600.36 P	\$ 329.00
			48"	33.B600.48 P	\$ 411.00
			60"	33.B600.60 P	\$ 483.00
			72"	33.B600.72 P*	\$ 797.00
			96"	33.B600.96 P*	\$ 885.00
	Adjustable 3" Outlet High Flow Base Kit: All except the Grate	Satin	36"	33.B600.36 HF	\$ 375.00
			48"	33.B600.48 HF	\$ 445.00
			60"	33.B600.60 HF	\$ 525.00
			72"	33.B600.72 HF*	\$ 835.00
			96"	33.B600.96 HF*	\$ 925.00
		Polished	36"	33.B600.36 P HF	\$ 379.00
			48"	33.B600.48 P HF	\$ 451.00
			60"	33.B600.60 P HF	\$ 533.00
			72"	33.B600.72 P HF*	\$ 847.00
			96"	33.B600.96 P HF*	\$ 935.00


(*) 72" and 96" Kit includes two outlets, two hair strainers, two pair of joiners, and two adapters. Clampdown flange drain is not included in Kit.

	Adjustable Accessories Kit 2" Outlet	Satin	8"	33.601.A	\$ 110.00
	Adjustable Accessories Kit High Flow 3" Outlet	Satin	8"	33.601.B	\$ 160.00
	Corner Connector Kit	Satin	6.4" x 6.4"	33.601.C	\$ 100.00
	Base only	Satin	28"	33.600.28	\$ 195.00
			40"	33.600.40	\$ 255.00
			52"	33.600.52	\$ 329.00
			64"	33.600.64	\$ 535.00
			88"	33.600.88	\$ 615.00

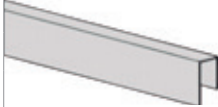
DelmarSeries \ Adjustable Linear Drain Parts

		FINISH	SIZE	SKU	MSRP USD
	Wedgewire Grate only	Satin	36"	33.G610.36	\$ 495.00
			48"	33.G610.48	\$ 593.00
			60"	33.G610.60	\$ 681.00
			72"	33.G610.72	\$ 779.00
			96"	33.G610.96*	\$ 1,186.00
		Polished	36"	33.G610.36 P	\$ 594.00
			48"	33.G610.48 P	\$ 712.00
			60"	33.G610.60 P	\$ 818.00
			72"	33.G610.72 P	\$ 935.00
			96"	33.G610.96 P*	\$ 1,424.00




(*)96" Wedgewire Kit shipped with two 48" grates.

	Perforated Grate only	Satin	36"	33.G620.36	\$ 160.00
			48"	33.G620.48	\$ 190.00
			60"	33.G620.60	\$ 240.00
			72"	33.G620.72	\$ 295.00
			96"	33.G620.96	\$ 375.00
		Polished	36"	33.G620.36 P	\$ 192.00
			48"	33.G620.48 P	\$ 228.00
			60"	33.G620.60 P	\$ 288.00
			72"	33.G620.72 P	\$ 354.00
			96"	33.G620.96 P	\$ 450.00

	Mist (Tile-In) Grate only	Satin	36"	33.G630.36	\$ 370.00
			48"	33.G630.48	\$ 481.00
			60"	33.G630.60	\$ 565.00
			72"	33.G630.72	\$ 675.00
			96"	33.G630.96	\$ 785.00

	Trim	Satin	36"	33.601.36	\$ 10.00
			48"	33.601.48	\$ 15.00
			60"	33.601.60	\$ 18.00
			72"	33.601.72	\$ 20.00
			96"	33.601.96	\$ 25.00
		Polished	36"	33.601.36 P	\$ 12.00
			48"	33.601.48 P	\$ 18.00
			60"	33.601.60 P	\$ 22.00
			72"	33.601.72 P	\$ 26.00
			96"	33.601.96 P	\$ 30.00

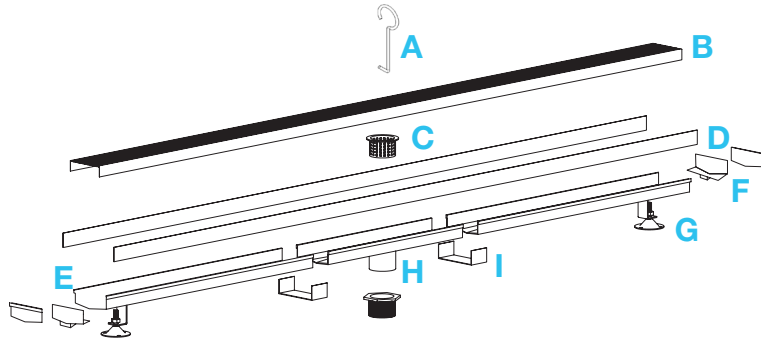
Clampdown flange drain is not included in kit. If needed, add:

PARTS	SKU	ITEM DESCRIPTION	MSRP USD
	83.100.00PVC	QM PVC Flange Drain 2" throat, 2" outlet	\$ 15.00
	83.100.00ABS	QM ABS Flange Drain 2" throat, 2" outlet	\$ 17.00
	83.100.01	Cast Iron Flange Drain 2" throat, 2" outlet	\$ 85.00
	83.100.01F	Cast Iron Flange Drain 2" throat, 2" outlet FIP	\$ 85.00
	83.100.14	3 3/4" PVC Heavy Duty Flange Drain	\$ 85.00

Lagos Series

Stainless Steel 316 Grate & Trims + PVC Base

Adjustable Linear Drain 2" Outlet



Kit Includes:

- A** Lifting Key
 - B** Grate
 - C** Hair/Debris Strainer
 - D** Trims
 - E** PVC Base
 - F** Base End Cap
 - G** Leveling Legs
 - H** 2" Outlet
 - I** Joiners
 - J** Threaded Nipple / Adapter
- + Stainless Steel Cutting Blade

Specifications and installation instruction available at:
<http://qmdrain.com/product-category/linear-drains/adjustable-lagos/>

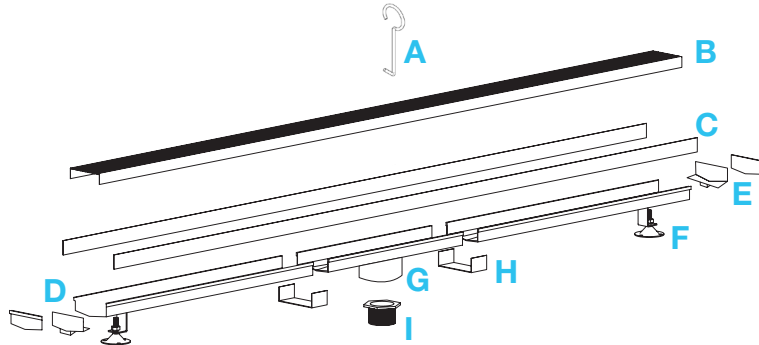
LINEAR DRAIN	GRATE DESIGN	FINISH		SKU	MSRP USD
	Wedgewire	Satin	36"	88.610.36	\$ 625.00
			48"	88.610.48	\$ 650.00
			60"	88.610.60	\$ 815.00
			72"	88.610.72*	\$ 1,015.00
			96"	88.610.96*	\$ 1,280.00
		Polished	36"	88.610.36 P	\$ 745.00
			48"	88.610.48 P	\$ 805.00
			60"	88.610.60 P	\$ 955.00
			72"	88.610.72 P*	\$ 1,315.00
			96"	88.610.96 P*	\$ 1,590.00
	Perforated	Satin	36"	88.620.36	\$ 359.00
			48"	88.620.48	\$ 435.00
			60"	88.620.60	\$ 535.00
			72"	88.620.72*	\$ 635.00
			96"	88.620.96*	\$ 810.00
		Polished	36"	88.620.36 P	\$ 390.00
			48"	88.620.48 P	\$ 480.00
			60"	88.620.60 P	\$ 590.00
			72"	88.620.72 P*	\$ 705.00
			96"	88.620.96 P*	\$ 895.00
	Mist (Tile-In)	Satin	36"	88.630.36	\$ 565.00
			48"	88.630.48	\$ 725.00
			60"	88.630.60	\$ 860.00
			72"	88.630.72*	\$ 1,015.00
			96"	88.630.96*	\$ 1,220.00
		Polished	36"	88.630.36 P	\$ 570.00
			48"	88.630.48 P	\$ 735.00
			60"	88.630.60 P	\$ 869.00
			72"	88.630.72 P*	\$ 1,025.00
			96"	88.630.96 P*	\$ 1,230.00

(*)72" and 96" Kit includes two outlets, two hair strainers, two pair of joiners and two adapters. 96" Wedgewire Kit shipped with two 48" grates. Clampdown flange drain is not included in Kit.

Lagos Series

Stainless Steel 316 Grate & Trims + PVC Base

Adjustable Linear Drain 3" Outlet (High Flow)



Kit Includes:

- A** Lifting Key
 - B** Grate
 - C** Trims
 - D** PVC Base
 - E** Base End Cap
 - F** Leveling Legs
 - G** 3" Outlet
 - H** Joiners
 - I** Threaded Nipple / Adapter
- + Stainless Steel Cutting Blade

Specifications and installation instruction available at:
<http://qmdrain.com/product-category/linear-drains/adjustable-lagos/>

LINEAR DRAIN	GRATE DESIGN	FINISH	SIZE	SKU	MSRP USD
	Wedgewire	Satin	36"	88.610.36 HF	\$ 675.00
			48"	88.610.48 HF	\$ 700.00
			60"	88.610.60 HF	\$ 865.00
			72"	88.610.72 HF*	\$ 1,065.00
			96"	88.610.96 HF*	\$ 1,330.00
		Polished	36"	88.610.36 P HF	\$ 795.00
			48"	88.610.48 P HF	\$ 855.00
			60"	88.610.60 P HF	\$ 1,005.00
			72"	88.610.72 P HF*	\$ 1,365.00
			96"	88.610.96 P HF*	\$ 1,640.00
	Perforated	Satin	36"	88.620.36 HF	\$ 409.00
			48"	88.620.48 HF	\$ 485.00
			60"	88.620.60 HF	\$ 585.00
			72"	88.620.72 HF*	\$ 685.00
			96"	88.620.96 HF*	\$ 860.00
		Polished	36"	88.620.36 P HF	\$ 440.00
			48"	88.620.48 P HF	\$ 530.00
			60"	88.620.60 P HF	\$ 640.00
			72"	88.620.72 P HF*	\$ 755.00
			96"	88.620.96 P HF*	\$ 945.00
	Mist (Tile-In)	Satin	36"	88.630.36 HF	\$ 605.00
			48"	88.630.48 HF	\$ 775.00
			60"	88.630.60 HF	\$ 910.00
			72"	88.630.72 HF*	\$ 1,065.00
			96"	88.630.96 HF*	\$ 1,270.00
		Polished	36"	88.630.36 P HF	\$ 620.00
			48"	88.630.48 P HF	\$ 785.00
			60"	88.630.60 P HF	\$ 919.00
			72"	88.630.72 P HF*	\$ 1,075.00
			96"	88.630.96 P HF*	\$ 1,280.00

(*) 72" and 96" Kit includes two outlets, two pair of joiners and two adapters. 96" Wedgewire Kit shipped with two 48" grates. Clampdown flange drain is not included in Kit.

Lagos Series \ Adjustable Linear Drain Parts


		FINISH	KIT SIZE	SKU	MSRP USD
	Adjustable 2" Outlet Base Kit: All except the Grate	Satin	36"	88.B600.36	\$ 195.00
			48"	88.B600.48	\$ 245.00
			60"	88.B600.60	\$ 295.00
			72"	88.B600.72*	\$ 339.00
			96"	88.B600.96*	\$ 435.00
		Polished	36"	88.B600.36 P	\$ 199.00
			48"	88.B600.48P	\$ 251.00
			60"	88.B600.60 P	\$ 303.00
			72"	88.B600.72 P*	\$ 351.00
			96"	88.B600.96 P*	\$ 445.00
	Adjustable 3" Outlet High Flow Base Kit: All except the Grate	Satin	36"	88.B600.36 HF	\$ 245.00
			48"	88.B600.48 HF	\$ 295.00
			60"	88.B600.60 HF	\$ 345.00
			72"	88.B600.72 HF*	\$ 389.00
			96"	88.B600.96 HF*	\$ 485.00
		Polished	36"	88.B600.36 P HF	\$ 249.00
			48"	88.B600.48 P HF	\$ 301.00
			60"	88.B600.60 P HF	\$ 353.00
			72"	88.B600.72 P HF*	\$ 401.00
			96"	88.B600.96 P HF*	\$ 495.00

(*) 72" and 96" Kit includes two outlets, two hair strainers, two pair of joiners, and two adapters. Clampdown flange drain is not included in Kit.


	Adjustable Accessories Kit 2" Outlet	Satin	8"	88.601.A	\$ 59.00
	Adjustable Accessories Kit High Flow 3" Outlet	Satin	8"	88.601.B	\$ 69.00
	Corner Connector Kit	Satin	6.4" x 6.4"	88.601.C	\$ 39.00
	Base only	Satin	36"	88.600.36	\$ 49.00
			48"	88.600.48	\$ 59.00
			60"	88.600.60	\$ 69.00
			72"	88.600.72	\$ 90.00
			96"	88.600.96	\$ 110.00

Cont. →

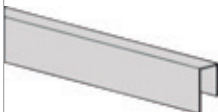
Lagos Series \ Adjustable Linear Drain Parts

GRATES	GRATE DESIGN	FINISH	SIZE	SKU	MSRP USD
	Wedgewire Grate only	Satin	36"	33.G610.36	\$ 495.00
			48"	33.G610.48	\$ 593.00
			60"	33.G610.60	\$ 681.00
			72"	33.G610.72	\$ 779.00
			96"	33.G610.96*	\$ 1,186.00
		Polished	36"	33.G610.36 P	\$ 594.00
			48"	33.G610.48 P	\$ 712.00
			60"	33.G610.60 P	\$ 818.00
			72"	33.G610.72 P	\$ 935.00
			96"	33.G610.96 P*	\$ 1,424.00




(*) 96" Wedgewire Kit shipped with two 48" grates.

	Perforated Grate only	Satin	36"	33.G620.36	\$ 160.00
			48"	33.G620.48	\$ 190.00
			60"	33.G620.60	\$ 240.00
			72"	33.G620.72	\$ 295.00
			96"	33.G620.96	\$ 375.00
		Polished	36"	33.G620.36 P	\$ 192.00
			48"	33.G620.48 P	\$ 228.00
			60"	33.G620.60 P	\$ 288.00
			72"	33.G620.72 P	\$ 354.00
			96"	33.G620.96 P	\$ 450.00

	Mist (Tile-In) Grate only	Satin	36"	33.G630.36	\$ 370.00
			48"	33.G630.48	\$ 481.00
			60"	33.G630.60	\$ 565.00
			72"	33.G630.72	\$ 675.00
			96"	33.G630.96	\$ 785.00

	Trim	Satin	36"	33.601.36	\$ 10.00
			48"	33.601.48	\$ 15.00
			60"	33.601.60	\$ 18.00
			72"	33.601.72	\$ 20.00
			96"	33.601.96	\$ 25.00
		Polished	36"	33.601.36 P	\$ 12.00
			48"	33.601.48 P	\$ 18.00
			60"	33.601.60 P	\$ 22.00
			72"	33.601.72 P	\$ 26.00
			96"	33.601.96 P	\$ 30.00

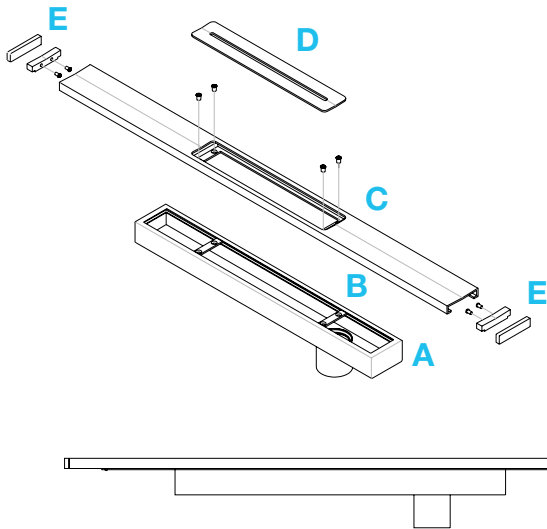
Clampdown flange drain is not included in kit. If needed, add:

PARTS	SKU	ITEM DESCRIPTION	MSRP USD
	83.100.00PVC	QM PVC Flange Drain 2" throat, 2" outlet	\$ 15.00
	83.100.00ABS	QM ABS Flange Drain 2" throat, 2" outlet	\$ 17.00
	83.100.01	Cast Iron Flange Drain 2" throat, 2" outlet	\$ 85.00
	83.100.01F	Cast Iron Flange Drain 2" throat, 2" outlet FIP	\$ 85.00
	83.100.14	3 3/4" PVC Heavy Duty Flange Drain	\$ 85.00

DelmarSeries

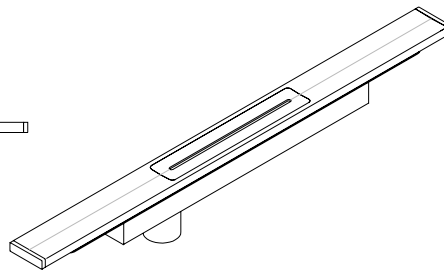
100% Stainless Steel 316 top to bottom

Supreme Linear Drain



Kit Includes:

- A Drain Channel
 - B Railing Sliders
 - C Grate
 - D Removable Grate
 - E Grate End Cap
- + Screws, Sikaflex, Hair Strainer, Key, Level, Wedges, Stainless Steel Cutting Blade



Specifications available at:
<http://qmdrain.com/product-category/linear-drains/supreme/>

Watch Installation Video

LINEAR DRAIN	GRATE DESIGN	FINISH	SIZE	SKU	MSRP USD
	Supreme	Satin	30"	33.800.30	\$ 679.00
			40"	33.800.40	\$ 775.00
			50"	33.800.50	\$ 849.00
			60"	33.800.60	\$ 919.00
	Supreme	Polished	30"	33.800.30 P	\$ 980.00
			40"	33.800.40 P	\$ 1,129.00
			50"	33.800.50 P	\$ 1,349.00
			60"	33.800.60 P	\$ 1,509.00
	Supreme	Satin Gold	30"	33.800.30 G	\$ 980.00
			40"	33.800.40 G	\$ 1,129.00
			50"	33.800.50 G	\$ 1,349.00
			60"	33.800.60 G	\$ 1,509.00
	Supreme	ORB/Black	30"	33.800.30 ORB	\$ 980.00
			40"	33.800.40 ORB	\$ 1,129.00
			50"	33.800.50 ORB	\$ 1,349.00
			60"	33.800.60 ORB	\$ 1,509.00

Clampdown flange drain is not included in kit. If needed, add:

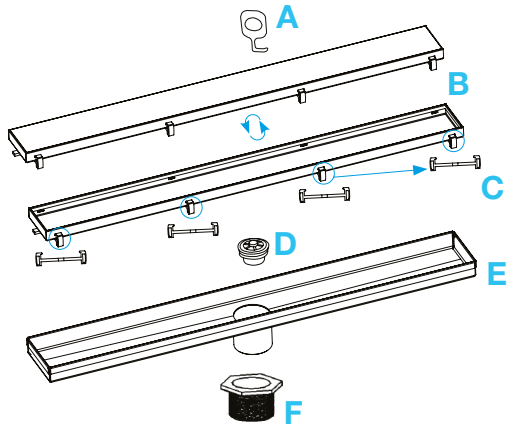
PARTS	SKU	ITEM DESCRIPTION	MSRP USD
	83.100.00PVC	QM PVC Flange Drain 2" throat, 2" outlet	\$ 15.00
	83.100.00ABS	QM ABS Flange Drain 2" throat, 2" outlet	\$ 17.00
	83.100.01	Cast Iron Flange Drain 2" throat, 2" outlet	\$ 85.00
	83.100.01F	Cast Iron Flange Drain 2" throat, 2" outlet FIP	\$ 85.00



BaySeries

100% Stainless Steel 304 top to bottom

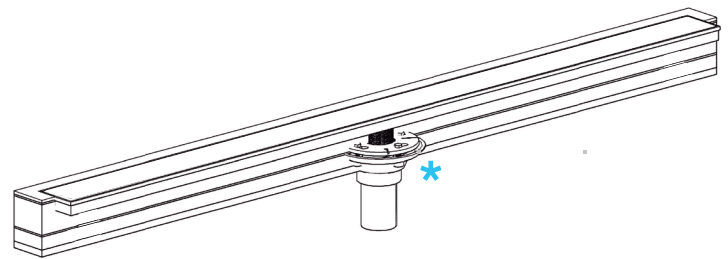
2 in 1 Linear Drain




Kit Includes:

- A** Lifting Key
- B** Reversible Stainless Steel or Tile-In Grate
- C** Plastic Legs
- D** Odor / Bugs Seal
- E** Base
- F** Threaded Nipple


Optional Accessory:
 Hair strainer
 SKU: 83.100.04 DL MSRP: \$ 8



Specifications and installation instruction available at:
<http://qmdrain.com/product-category/linear-drains/standard-bay/>

LINEAR DRAIN	GRATE DESIGN	FINISH	SIZE	SKU	MSRP USD
	Bay 2 in 1 Reversible Grates: Satin Stainless Steel or Tile-In	Satin	24"	38.100.05	\$ 180.00
			36"	38.100.06	\$ 225.00

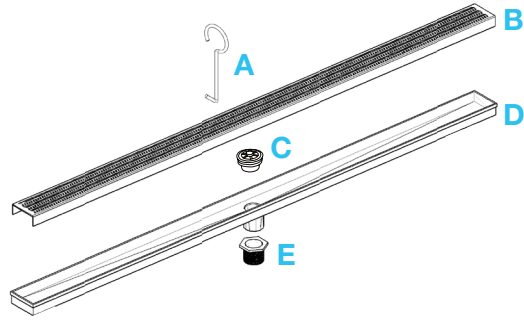
(*) Clampdown flange drain is not included in kit. If needed, add:

PARTS	SKU	ITEM DESCRIPTION	MSRP USD
	83.100.00PVC	QM PVC Flange Drain 2" throat, 2" outlet	\$ 15.00
	83.100.00ABS	QM ABS Flange Drain 2" throat, 2" outlet	\$ 17.00
	83.100.01	Cast Iron Flange Drain 2" throat, 2" outlet	\$ 85.00
	83.100.01F	Cast Iron Flange Drain 2" throat, 2" outlet FIP	\$ 85.00


BaySeries

100% Stainless Steel 304 top to bottom





Ria Linear Drain



- Kit Includes:**
- A** Lifting Key
 - B** Grate
 - C** Odor/Bugs Seal
 - D** Base
 - E** Threaded Nipple

Optional Accessory: 
 Hair strainer
 SKU: 83.100.04 DL MSRP: \$ 8

Specifications and installation instruction available at:
<http://qmdrain.com/product-category/linear-drains/supreme/>

LINEAR DRAIN	GRATE DESIGN	FINISH	SIZE	SKU	MSRP USD
	Ria	Satin	24"	38.200.24	\$ 180.00
			36"	38.200.36	\$ 225.00
		Polished	24"	38.200.24 P	\$ 189.00
			36"	38.200.36 P	\$ 249.00
		Satin Gold	24"	38.200.24 G	\$ 289.00
			36"	38.200.36 G	\$ 369.00
		ORB/Black	24"	38.200.24 ORB	\$ 289.00
			36"	38.200.36 ORB	\$ 369.00

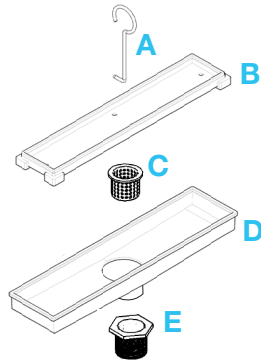
Clampdown flange drain is not included in kit. If needed, add:

PARTS	SKU	ITEM DESCRIPTION	MSRP USD
	83.100.00PVC	QM PVC Flange Drain 2" throat, 2" outlet	\$ 15.00
	83.100.00ABS	QM ABS Flange Drain 2" throat, 2" outlet	\$ 17.00
	83.100.01	Cast Iron Flange Drain 2" throat, 2" outlet	\$ 85.00
	83.100.01F	Cast Iron Flange Drain 2" throat, 2" outlet FIP	\$ 85.00

Lagos Series

Grate in Stainless Steel 316 + Base in ABS

Veil Linear Drain



- Kit Includes:**
A Lifting Key
B Grate
C Hair/Debris Strainer
D Base
E Threaded Nipple

Specifications and installation instruction available at:
<http://qmdrain.com/product-category/linear-drains/supreme/>

DRAIN	GRATE DESIGN	FINISH	SIZE	SKU	MSRP USD
	Veil (Tile-in)	Satin	12" x 3"	88.L300.01	\$ 109.00
		Polished		88.L300.02	\$ 109.00
		Satin Gold		88.L300.03	\$ 159.00
		ORB/Black		88.L300.04	\$ 159.00
		Bronze		88.L300.05	\$ 159.00

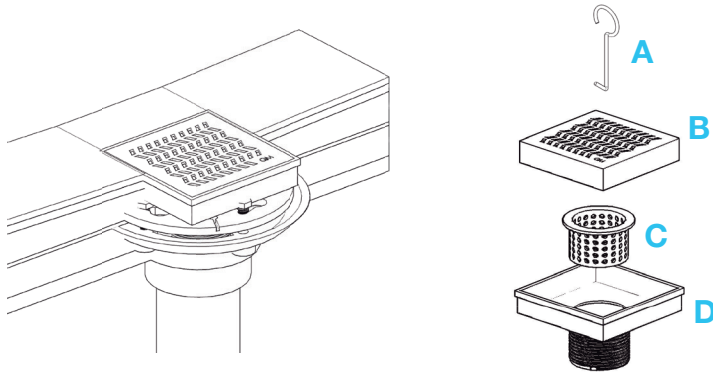
Clampdown flange drain is not included in kit. If needed, add:

PARTS	SKU	ITEM DESCRIPTION	MSRP USD
	83.100.00PVC	QM PVC Flange Drain 2" throat, 2" outlet	\$ 15.00
	83.100.00ABS	QM ABS Flange Drain 2" throat, 2" outlet	\$ 17.00
	83.100.01	Cast Iron Flange Drain 2" throat, 2" outlet	\$ 85.00
	83.100.01F	Cast Iron Flange Drain 2" throat, 2" outlet FIP	\$ 85.00

Delmar Series

100% Stainless Steel 316 top to bottom

Square Center Drain



- Kit Includes:**
A Lifting Key
B Grate
C Hair/Debris Strainer
D Base



Specifications available at:
<http://qmdrain.com/product-category/center-drains/square-delmar/>

Watch Installation Video

SQUARE DRAIN	GRATE DESIGN	FINISH	SIZE	SKU	MSRP USD
	Nami	Satin	4" x 4"	33.100.00	\$ 125.00
			5 3/4" x 5 3/4"	33.100.01	\$ 165.00
	Kai	Satin	4" x 4"	33.200.00	\$ 125.00
			5 3/4" x 5 3/4"	33.200.01	\$ 165.00
			8" x 8" (3" outlet)	33.200.08 HF	\$ 215.00
	Delta	Satin	4" x 4"	33.300.00	\$ 125.00
			5 3/4" x 5 3/4"	33.300.01	\$ 165.00
		Polished	4" x 4"	33.300.00 P	\$ 155.00
			5 3/4" x 5 3/4"	33.300.01 P	\$ 195.00
	Lotus	Bronze	4" x 4"	33.400.00	\$ 199.00
			5 3/4" x 5 3/4"	33.400.01	\$ 295.00
		Satin Gold	4" x 4"	33.400.00 G	\$ 199.00
			5 3/4" x 5 3/4"	33.400.01 G	\$ 295.00
		ORB/Black	4" x 4"	33.400.00 ORB	\$ 199.00
			5 3/4" x 5 3/4"	33.400.01 ORB	\$ 295.00
	Mist (Tile-In)	Satin	4" x 4"	33.500.00	\$ 149.00
			5 3/4" x 5 3/4"	33.500.01	\$ 179.00

Clampdown flange drain is not included in kit. If needed, add:

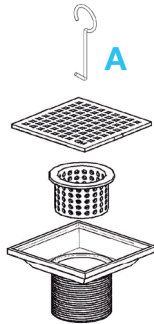
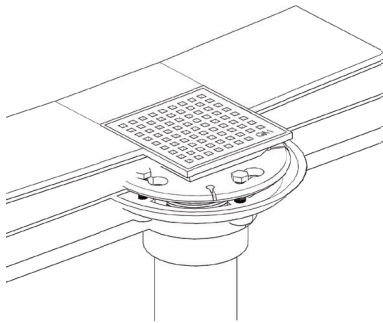
PARTS	SKU	ITEM DESCRIPTION	MSRP USD
	83.100.00PVC	QM PVC Flange Drain 2" throat, 2" outlet	\$ 15.00
	83.100.00ABS	QM ABS Flange Drain 2" throat, 2" outlet	\$ 17.00
	83.100.01	Cast Iron Flange Drain 2" throat, 2" outlet	\$ 85.00
	83.100.01F	Cast Iron Flange Drain 2" throat, 2" outlet FIP	\$ 85.00
	83.100.14	3"/4" PVC Heavy Duty Flange Drain	\$ 85.00



Lagos Series

Grate in Stainless Steel 316 + Base in ABS

Square Center Drain


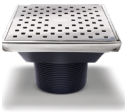



- Kit Includes:**
A Lifting Key
B Grate
C Hair/Debris Strainer
D Base



Specifications available at:
<http://qmdrain.com/product-category/center-drains/square-lagos/>

Watch Installation Video

SQUARE DRAIN	GRATE DESIGN	FINISH	SIZE	SKU	MSRP USD
	Mira	Satin	4" x 4"	88.100.01	\$ 49.00
			5 3/4" x 5 3/4"	88.100.02	\$ 75.00
		Polished	4" x 4"	88.100.03	\$ 49.00
			5 3/4" x 5 3/4"	88.100.04	\$ 75.00
		Bronze	4" x 4"	88.100.05	\$ 79.00
			5 3/4" x 5 3/4"	88.100.06	\$ 119.00
		ORB/Black	4" x 4"	88.100.07	\$ 79.00
			5 3/4" x 5 3/4"	88.100.08	\$ 119.00
		Satin Gold	4" x 4"	88.100.09	\$ 79.00
			5 3/4" x 5 3/4"	88.100.10	\$ 119.00
	Tulia	Satin	4" x 4"	88.200.01	\$ 49.00
			5 3/4" x 5 3/4"	88.200.02	\$ 75.00
		Polished	5 3/4" x 5 3/4"	88.200.04	\$ 75.00
			4" x 4"	88.200.05	\$ 59.00
		Bronze	5 3/4" x 5 3/4"	88.200.06	\$ 95.00
	Veil (Tile-In)	Polished	4" x 4"	88.300.01	\$ 59.00
			5 3/4" x 5 3/4"	88.300.02	\$ 89.00
		Satin	4" x 4"	88.300.03	\$ 59.00
			5 3/4" x 5 3/4"	88.300.04	\$ 89.00
		ORB/Black	4" x 4"	88.300.05	\$ 89.00
			5 3/4" x 5 3/4"	88.300.06	\$ 129.00
		Satin Gold	4" x 4"	88.300.07	\$ 89.00
			5 3/4" x 5 3/4"	88.300.08	\$ 129.00

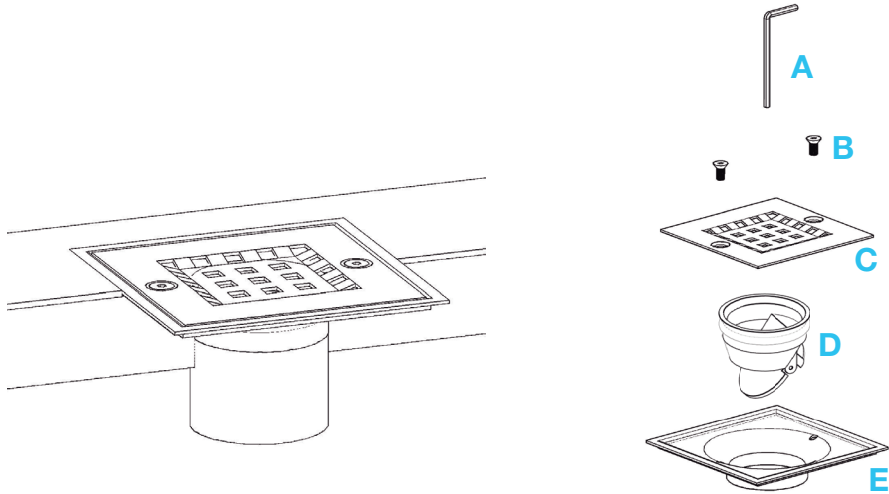
Clampdown flange drain is not included in kit. If needed, add:

PARTS	SKU	ITEM DESCRIPTION	MSRP USD
	83.100.00PVC	QM PVC Flange Drain 2" throat, 2" outlet	\$ 15.00
	83.100.00ABS	QM ABS Flange Drain 2" throat, 2" outlet	\$ 17.00
	83.100.01	Cast Iron Flange Drain 2" throat, 2" outlet	\$ 85.00
	83.100.01F	Cast Iron Flange Drain 2" throat, 2" outlet FIP	\$ 85.00

BaySeries

100% Stainless Steel 304 top to bottom

Ria Square and Round (International Only)



- Kit Includes:**
A Lifting Key
B Bolts
C Grate
D Odor Sealer
E Base

Specifications and installation instruction available at:
<http://qmdrain.com/product-category/center-drains/bay/>

DRAINS	GRATE DESIGN	FINISH	SIZE	SKU	MSRP USD
	Ria	Satin	D = 4"	38.100.00	\$ 21.00
	Ria	Satin	4" x 4"	38.100.01	\$ 23.00
			5 3/4" x 5 3/4"	38.100.02	\$ 29.00
		Polished	4" x 4"	38.100.03	\$ 23.00
			5 3/4" x 5 3/4"	38.100.04	\$ 29.00

Parts

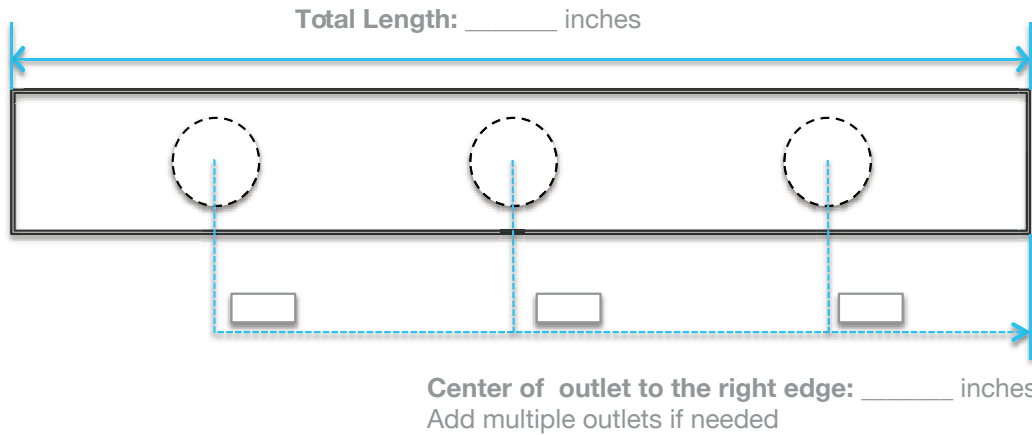
	SKU	ITEM DESCRIPTION	MSRP USD
	83.100.00	PVC Flange Drain 2" throat, 2" outlet	\$ 15.00
	83.100.00 A	ABS Flange Drain 2" throat, 2" outlet	\$ 17.00
	83.100.01	Cast Iron Flange Drain 2" throat, 2" outlet	\$ 85.00
	83.100.01F	Cast Iron Flange Drain 2" throat, 2" outlet FIP	\$ 85.00
	83.100.14	3"/4" PVC Heavy Duty Flange Drain	\$ 85.00
	83.100.02	QM Drain Adaptor for Schluter®/Wedi® Systems when using their bonding flange	\$ 8.00
	83.100.03	QM side outlet drain flange with integrated threaded adaptor	\$ 18.00
	83.100.04 DL	Hair/Debris Stainless Steel Strainer for Linear Drains and Delmar Square	\$ 8.00
	83.100.04 DS	Hair/Debris Stainless Steel Drain Strainer for threaded outlet Delmar Square	\$ 8.00
	83.100.04 SL	Hair/Debris PVC Strainer for Lagos Square	\$ 6.00
	83.100.05	Leveling Feet - Linear Drain	\$ 6.00
	83.100.06.A	Adaptor/Threaded Nipple w/gasket for 2" Outlet	\$ 8.00
	83.100.06.B	Adaptor/Threaded Nipple w/gasket for 3" Outlet	\$ 10.00
	83.100.07	Stainless Steel Key	\$ 8.00
	83.100.08	Stainless Steel cutting blade for Grinder	\$ 10.00
	83.100.09	Sikaflex Sealant	\$ 14.00
	83.100.10	Anti-Odor Part for Lagos and Square Threaded outlet Delmar Square	\$ 5.00
	83.100.11	Anti-Odor Part for Ria, Delmar Square and Linear Drains	\$ 5.00






DelmarSeries

100% Stainless Steel 316 top to bottom

Custom Adjustable Linear Drain



CHOOSE GRATE	
	<input type="checkbox"/> Wedgewire
	<input type="checkbox"/> Perforated
	<input type="checkbox"/> Mist (Tile-In)

Net Custom fee: \$150 per outlet

Drain price * = Adjustable

Grate finish standard: Satin or Polished

Other finishes available: Polished, ORB/Black, Gold, Bronze, and more. We may need a sample to match the finish.

***Note:** Drain price will be adjusted and confirmed for custom finish (non standard)

Lead time will depend on the size, quantity and finish.

Date: _____

Customer: _____

Job Name: _____

PO: _____ QTY: _____

Approved by: _____

Note: Custom orders are non-returnable and not subject to FFA.



DelmarSeries
100% Stainless Steel 316 top to bottom

Custom Finish Standard Length

Date: _____

Customer: _____

Job Name: _____

PO: _____ QTY: _____

Approved by: _____

Nami

Mist

Kai

Delta

Wedgewire

Other finishes available:
ORB/Matte Black, Satin Gold, and Bronze.

SIZE	NET PRICE FOR CUSTOM FINISH
4" x 4"	\$ 99.00
5 3/4" x 5 3/4"	\$ 129.00
8" x 8"	\$ 159.00
24"	\$ 199.00
28"	\$ 239.00
32"	\$ 249.00
36	\$ 269.00
48"	\$ 379.00
58"	\$ 439.00

Note: Lead time will depend on the size, quantity and finish.
Custom orders are non-returnable and not subject to FFA.





www.qmdrain.com



QM USA, Corp.
4100 N Powerline Road, Suite Z3
Pompano Beach, FL 33073, USA.
info@qm-us.com • Phone: (954) 773 9450

  QM Drain  [qmdrain](https://www.instagram.com/qmdrain)