



# Pro Vac 1060

## Parts Manual

---

### Models

995420

995430



## THE MANUAL

---

Before you operate your unit, carefully and completely read manuals supplied with the unit. The contents will provide you with an understanding of safety instructions and controls during normal operation and maintenance.

For your safety and the safety of others always read, understand, and follow all DANGER, WARNING, and CAUTION messages found in manuals and on safety decals.

Hardware descriptions are given in decimals.

Decimals to Fractions			
.063	1/16	.563	9/16
.125	1/8	.625	5/8
.188	3/16	.688	11/16
.250	1/4	.750	3/4
.313	5/16	.813	13/16
.375	3/8	.875	7/8
.438	7/16	.938	15/16
.500	1/2	1.00	1

## SERVICE AND REPLACEMENT PARTS

---

When ordering replacement parts or making service inquiries, know the Model and Serial numbers of your unit and engine.

Numbers are located on the product registration card in the unit literature package. They are printed on a serial number label, located on the frame of your unit.

- Record Unit Model and Serial numbers here:

- Record Engine Model and Serial numbers here:

## UNAUTHORIZED REPLACEMENT PARTS

Use only Gravelly Turf replacement parts. The replacement of any part on this vehicle with anything other than a Gravelly Turf authorized replacement part may adversely affect the performance, durability, or safety of this unit and may void the warranty. Gravelly turf disclaims liability for any claims or damages, whether warranty, property damage, personal injury or death arising out of the use of unauthorized replacement parts.

## PRODUCT REGISTRATION

---

The dealer must register the product at the time of purchase. Registering the product will help the company process warranty claims or contact you with the latest service information. All claims meeting requirements during the limited warranty period will be honored, whether or not the product registration card is returned. Keep a proof of purchase if you do not register your unit.

**Customer Note:** If the dealer does not register your product, please fill out, sign, and return the product registration card to Gravelly Turf.

## YOUR SATISFACTION IS IMPORTANT

---

**Questions? Please follow these helpful steps:**

1. Refer to the manuals supplied with your unit.  
They will guide you through safe and proper operation and maintenance.  
They contain specifications on your unit.  
If your questions are not answered in these manuals, go to step number two.
2. Contact Your Dealer.  
Our dealers will be happy to supply any service or advice required to keep your unit operating at peak efficiency.  
A factory trained staff is available to support your equipment needs. They stock genuine parts and lubricants manufactured with the same precision and skill as the original.  
If your questions are not resolved by the support staff, ask for the manager or owner.  
When contacting your Dealer supply your model and serial numbers.

## TO SPEED PARTS ORDERING:

1. Know the model and serial numbers of your unit.
2. Know the part number required.
3. Know the quantity required.
4. Know the part description.

## MODELS

---

### **Model 995420**

Pro Vac 1060  
4 Cycle Kohler  
Serial No. 000101 and up

### **Model 995430**

Pro Vac 1060  
4 Cycle Kohler  
Serial No. 000101 and up

## TABLE OF CONTENTS

---

### **DECALS**

---

Decals . . . . . 4

### **TRAILER FRAME AND WHEELS**

---

Trailer Frame And Wheels . . . . . 6

### **HAND VAC, HOPPER AND SCOOP**

---

Hand Vac – 995430 . . . . . 7

Hopper . . . . . 8

Scoop . . . . . 10

### **ENGINE AND DRIVE**

---

Engine and Drive . . . . . 12

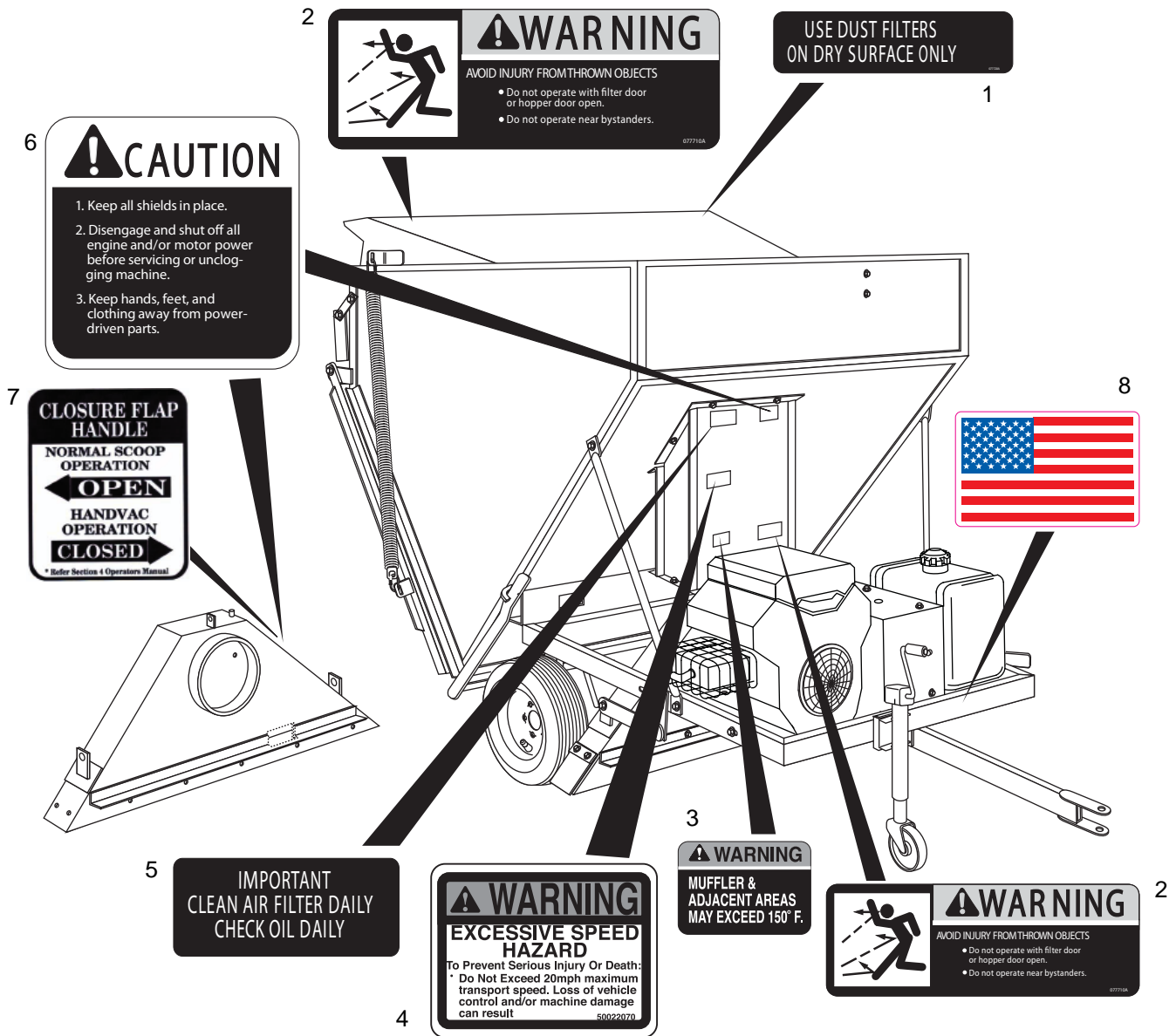
### **BATTERY AND FUEL**

---

Battery and Fuel . . . . . 14

# DECALS

Model 995420, 430

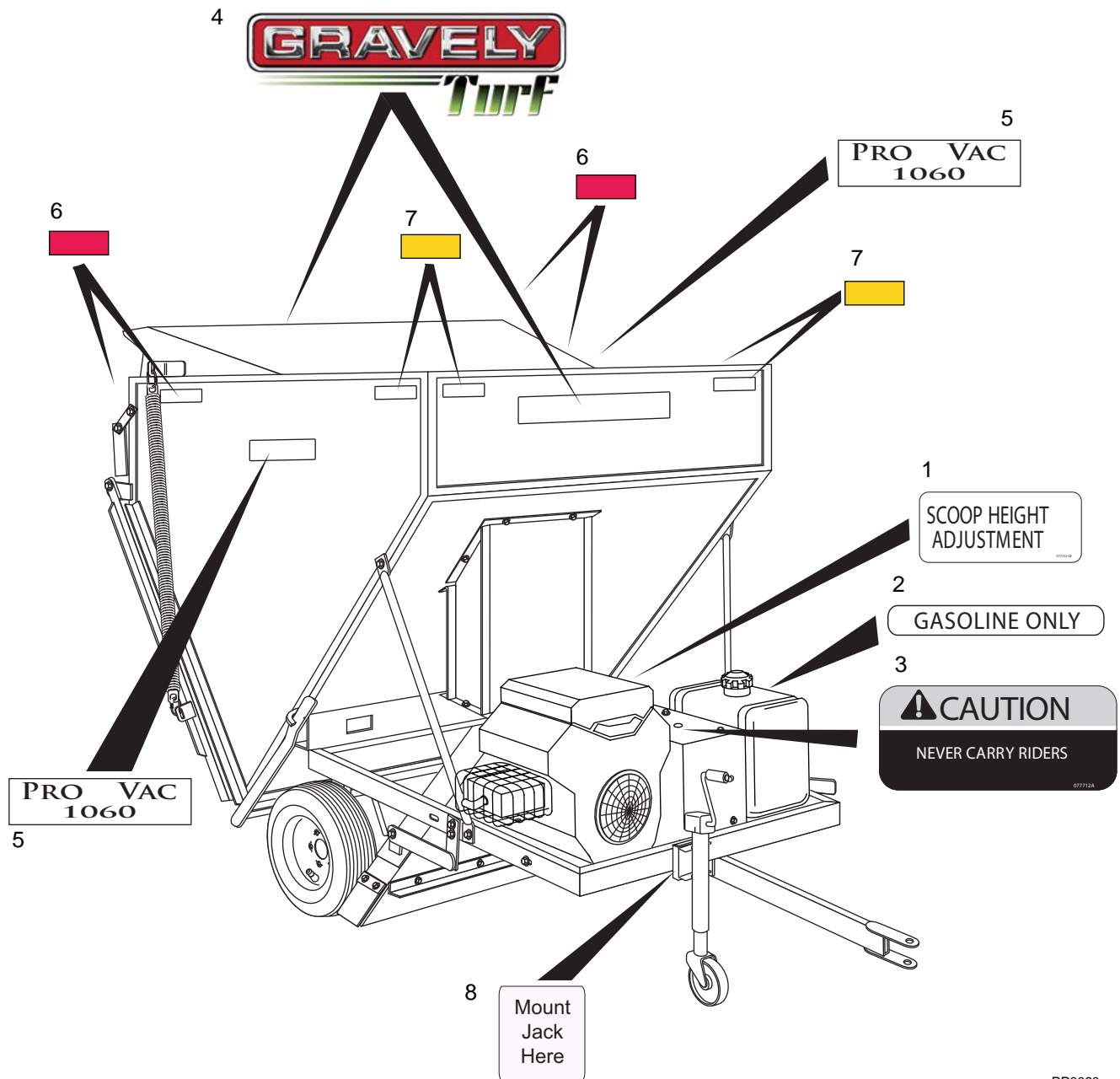


PP0071

Item	Part No.	Qty.	Description
1	02086500	1	Decal, Dust Filters
2	02086200	2	Decal, Warning Avoid Injury
3	02087000	1	Decal, Warning
4	02400000	1	Decal, Warning
5	02086700	1	Decal, Air Filter
6	02086300	2	Decal, Caution Shields
7	02086800	1	Decal, Closure Flap
8	02395300	1	Decal USA Flag
9	03298600	1	Decal Pack (Includes items 1 – 8 on page 4 and items 1 – 7 on page 5)

# DECALS

Model 995420, 430

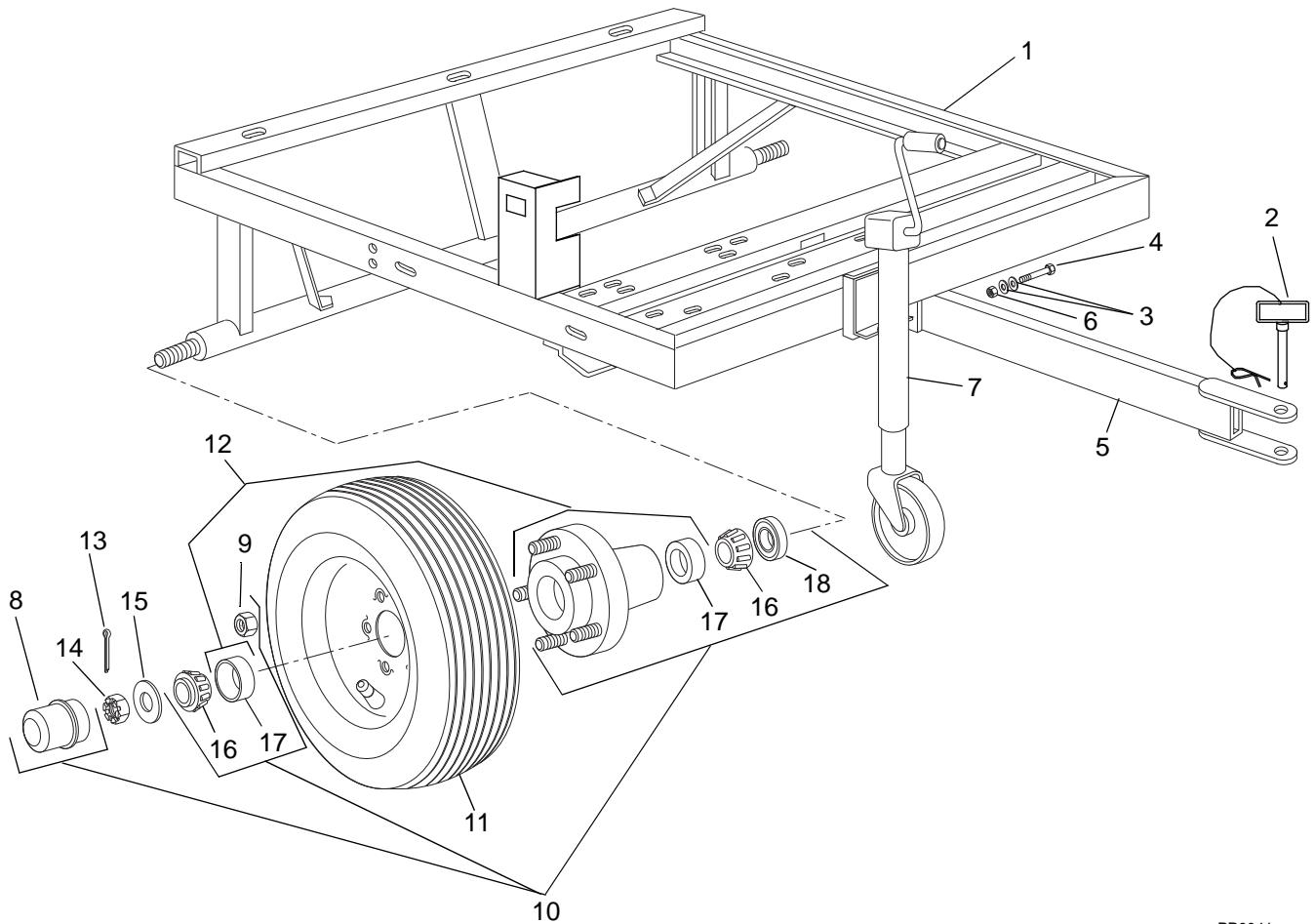


Item	Part No.	Qty.	Description
1	02086600	1	Decal, Scoop Height Adjustment
2	02086900	1	Decal, Gasoline Only
3	02086400	1	Decal, No Riders
4	03372400	2	Decal, 15" Gravely Turf Logo
5	02141000	2	Decal, Pro Vac 1060
6	02823500	4	Reflector, Red
7	02823400	4	Reflector, Amber
8	02143200	1	Decal, Mount Jack Here

PP0080

# TRAILER FRAME AND WHEELS

Model 995420, 430

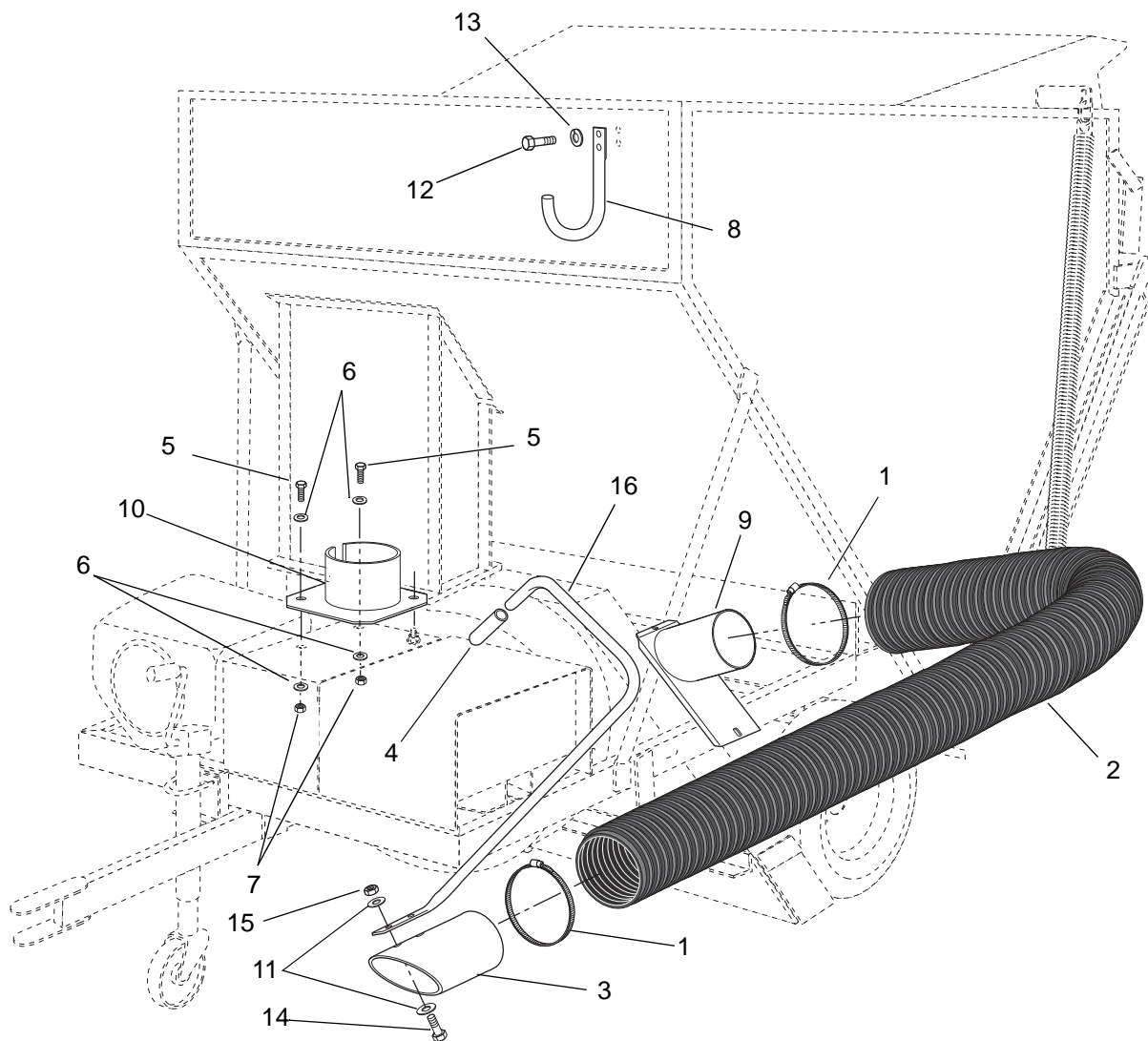


PP0041

Item	Part No.	Qty.	Description
1	02088453	1	Weldment, Frame
2	02087300	1	Pin, Hitch 1 x 4.50"
3	06400511	4	Washer, Flat Steel .625
4	05900922	2	Cap Screw, Hex Head .625-11 x 3
5	02074051	1	Weldment, Tongue
6	02144400	2	Nut, Flange Lock .625-11
7	02577300	1	Jack Assembly with Swivel Wheel
8	07100603	2	Cap, Hub
9	06500427	10	Nut, Hex Hub .50-20 UNF 2B-45D
10	07100529	2	Assembly, Hub 5-Bolt (Contains Items 8, 9, 12, 16 and 18)
11	07100525	2	Assembly, Tire & Wheel 18 x 8.5 x 8
12	07100602	2	Hub With Bolts (Includes Item 17)
13	06700115	2	Pin, Cotter .125 x 1.25
14	06500420	2	Nut, Hex .75-16 Castellated
15	06400614	2	Washer .75 Keyed
16	05400320	4	Cone, Bearing
17	05400318	4	Cup, Bearing
18	05600313	2	Seal

# HAND VAC – 995430

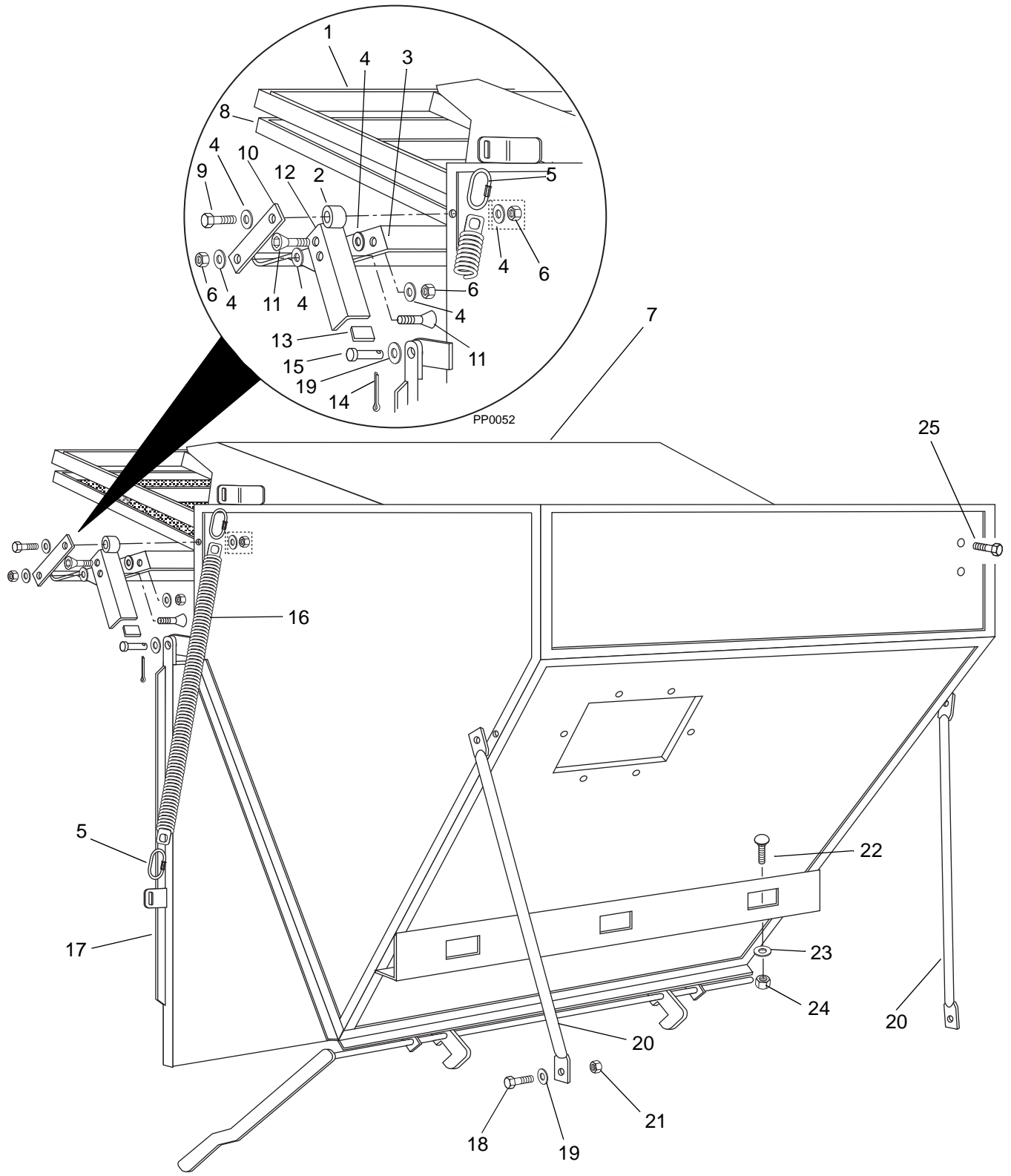
Model 995430



Item	Part No.	Qty.	Description
1	02072400	2	Clamp, Hose
2	07000831	1	Hose, 6-In. x 10 ft.
3	02088100	1	Tube, Nozzle
4	02085800	1	Grip, Hand
5	05900801	2	Cap Screw, Hex Head .375-16 x 1
6	06400417	6	Washer, Flat .375
7	06500517	2	Nut, Nyloc Hex .375-16
8	02087900	1	Hanger, Flex Hose
9	02087800	1	Weldment, Adapter Tube
10	02089400	1	Holder, Nozzle
11	06400419	4	Washer, Flat .312
12	05900624	2	Cap Screw, Hex Head .375-16 x 2
13	06300030	2	Washer, Lock .375
14	05900621	2	Cap Screw, Hex Head .312-18 x 1
15	06500512	2	Nut, Hex Flange Lock .312-18
16	02087500	1	Handle, Nozzle

# HOPPER

Model 995420, 430





# HOPPER

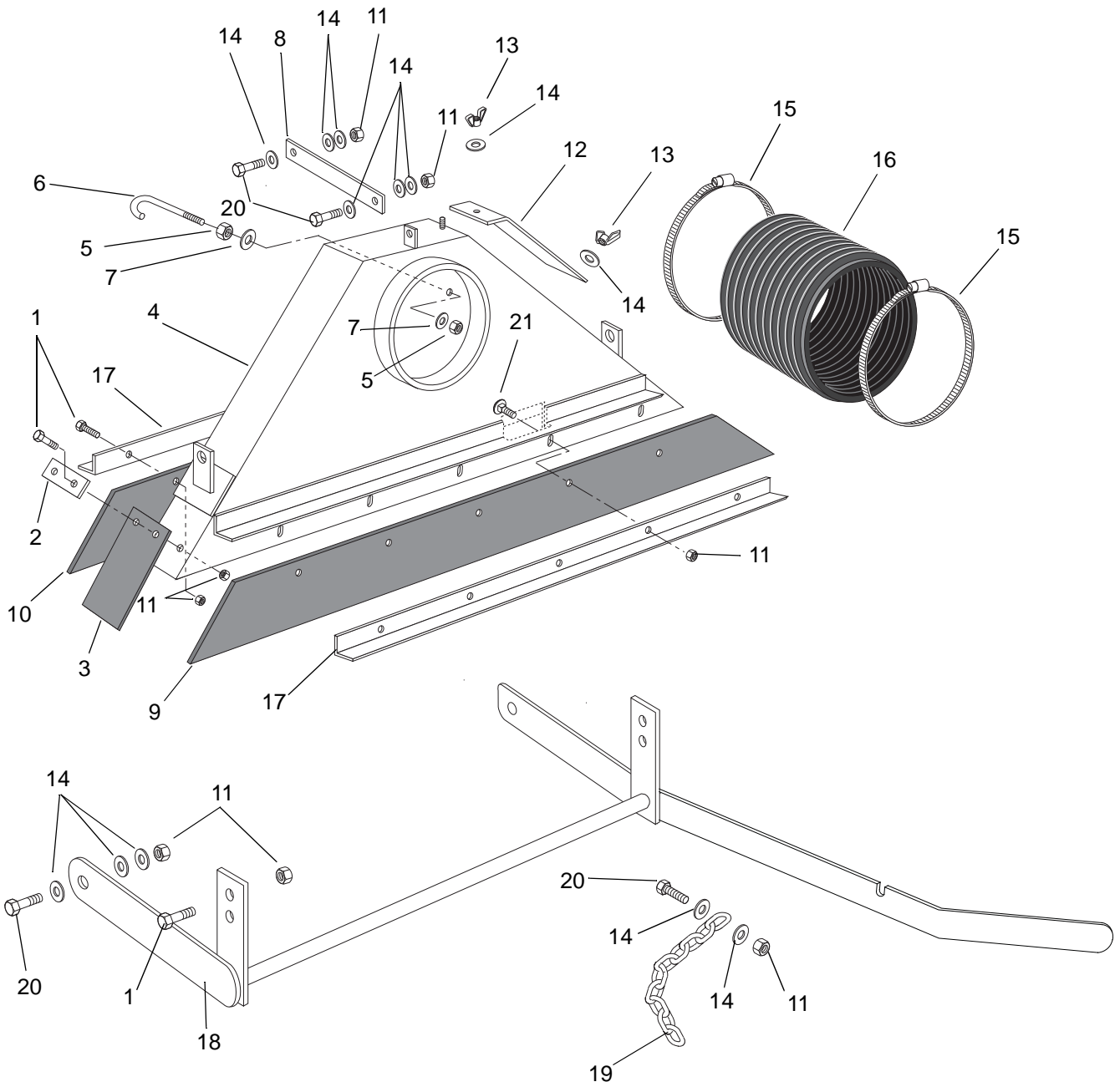
---

Model 995420, 430

Item	Part No.	Qty.	Description
1	02084151	1	Weldment, Grid
2	02084551	2	Link Spacer, Screen Door
3	02085053	1	Weldment, Screen Door
4	06400509	12	Washer, Flat .312
5	02084000	4	Quick Link .25
6	06500522	6	Nut, Hex Lock .312-18
7	02078853	1	Weldment, Hopper
8	02952900	1	Screen, Single (995420, 430)
	02141900	1	Screen / Filter, Hard Surface (995430)
9	05900738	2	Cap Screw, Hex Head .312-18 x 1.50
10	02084851	2	Linkage, Filter Door
11	02221600	4	Cap Screw, Flat Countersunk Head Hex Socket .312-18 x 1.00
12	02084651	1	Latch, Filter Door Right Hand
	02084751	1	Latch, Filter Door Left Hand
13	02072000	20 ft.	Gasket Material .75 x .25
14	06700118	2	Pin, Cotter Stainless Steel .125 x .75
15	02952400	2	Pin, Clevis .38 x 1.125
16	08300351	2	Spring
17	02081853	1	Weldment, Door
18	05900801	4	Cap Screw, Hex Head .38-16 x 1.00
19	06400417	6	Washer, Flat .38
20	02083951	2	Brace, Hopper
21	02144300	4	Nut, Lock .38-16
22	06200107	3	Bolt, Carriage .50-13 x 1.50
23	06400416	3	Washer, Flat .50
24	02116500	3	Nut, Lock .50-13
25	05901107	2	Cap Screw, Hex Head .38 x .75

# SCOOP

Model 995420, 430



PP0061

# SCOOP

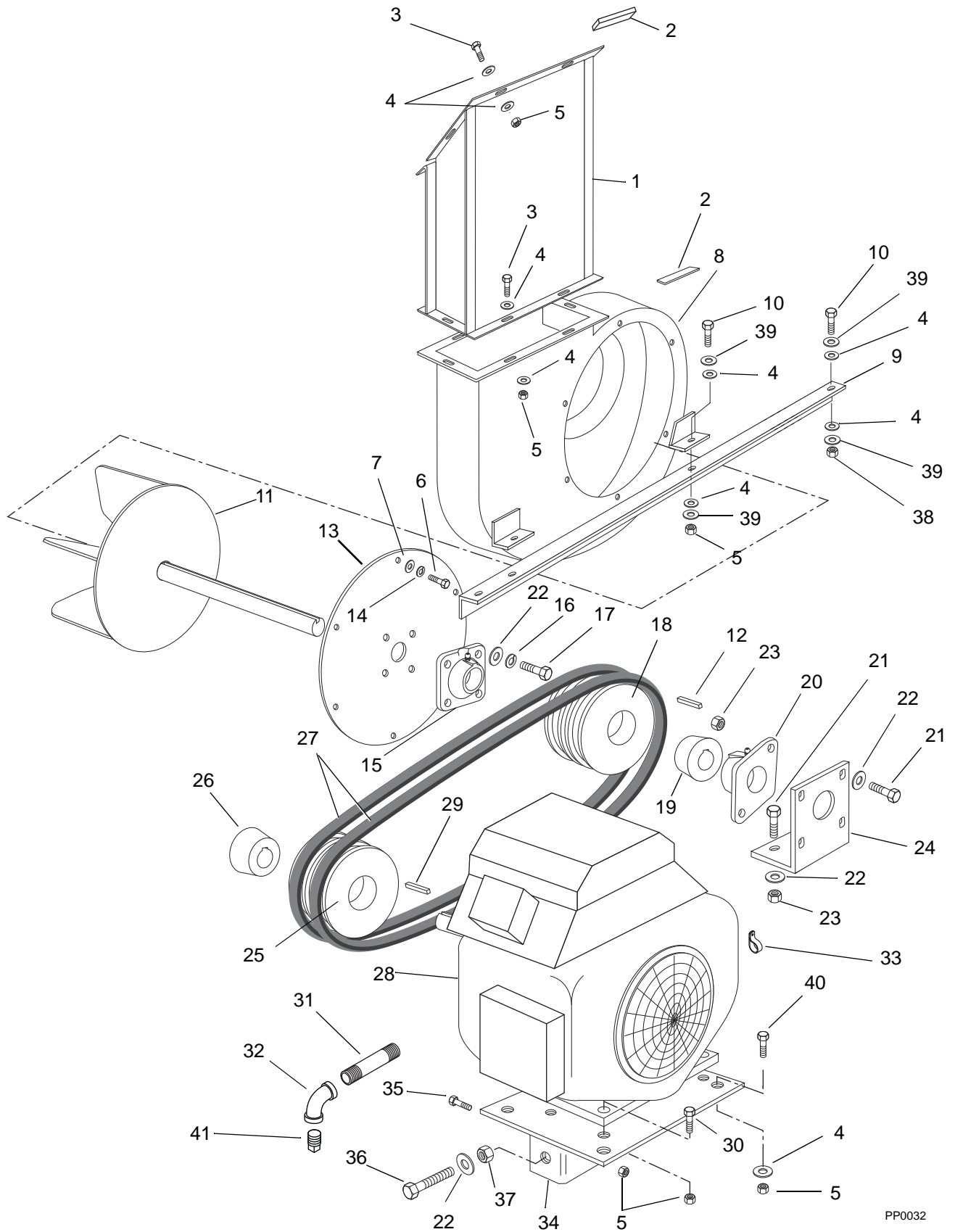
---

Model 995420, 430

Item	Part No.	Qty.	Description
1	05900801	13	Cap Screw, Hex Head .38-16 x 1.00
2	02083851	2	End, Bolting Strip
3	02085300	2	End Cap, Flex Skirt
4	02076053	1	Weldment, Scoop
5	06500612	2	Nut, Hex .50
6	05900613	1	J-Bolt
7	06400416	2	Washer, Flat .50
8	02083251	1	Brace, Scoop Stabilizer
9	02952300	1	Flex Skirt, Front
10	02085400	1	Flex Skirt, Rear
11	06500517	23	Nut, Nylock .38-16
12	02077551	1	Side Cover, Scoop
13	06500418	2	Wing Nut, .38-16
14	06400417	16	Washer, Flat .38
15	02085700	2	Clamp, Worm Drive 13 Inch
16	02078700	1	Hose, Flex 12 Inch
17	02077651	2	Retainer Strip
18	02077751	1	Weldment, Lift
19	02084900	1	Chain .25 Ten Link
20	05900623	5	Cap Screw, Hex Head .38-16 x 1.25
21	06200623	5	Bolt, Carriage .38-16 x 1.00

# ENGINE AND DRIVE

Model 995420, 430



PP0032

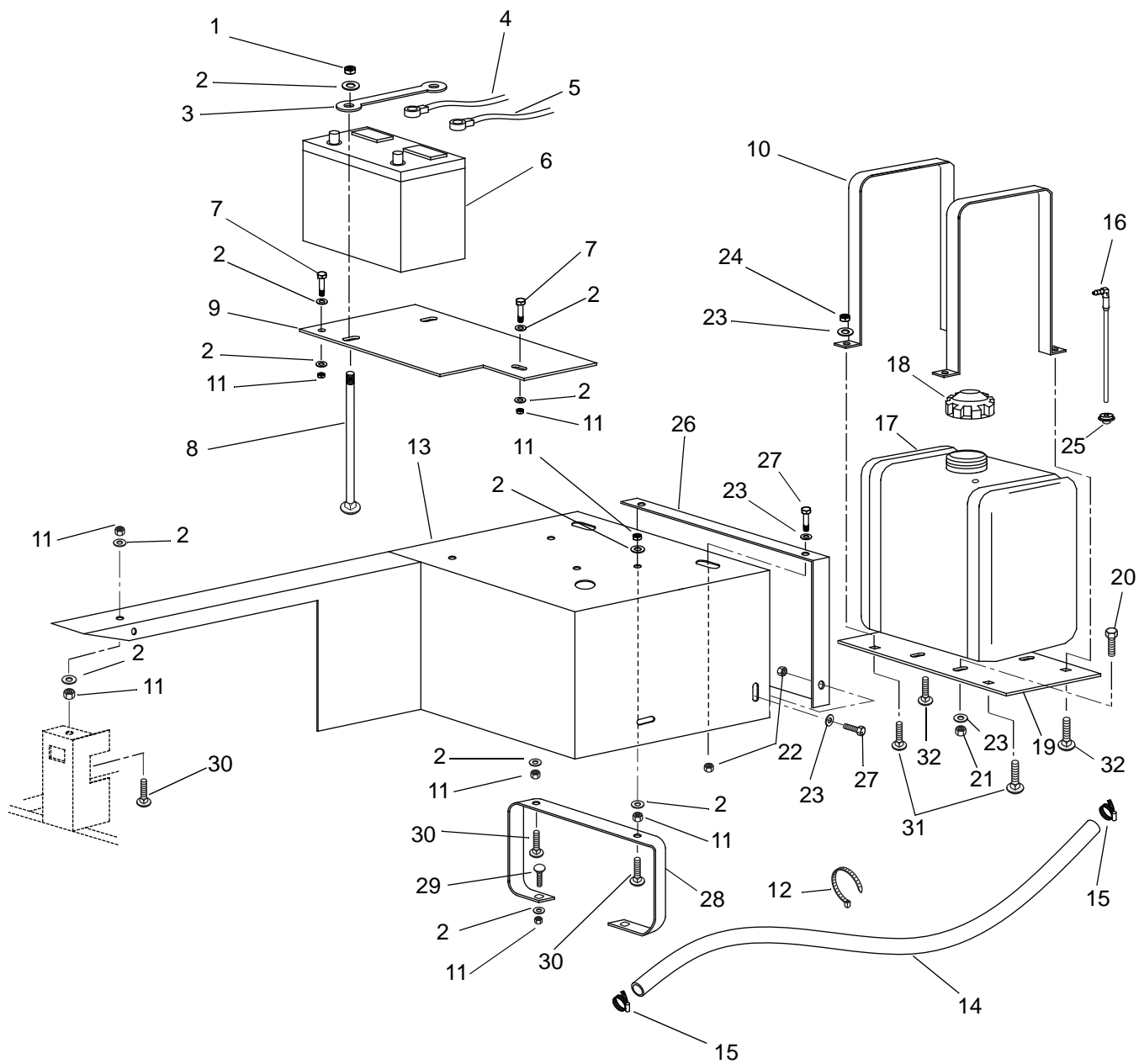
# ENGINE AND DRIVE

Model 995420, 430

Item	Part No.	Qty.	Description
1	02083353	1	Weldment, Discharge Chute
2	02071900	10 ft.	Gasket Material 1.25 x .188
3	05901107	12	Bolt, Hex .38-16 x .75 Grade 5
4	06400417	44	Washer, Flat .38
5	06500517	26	Nut, Hex Nylock .38-16
6	05900620	6	Cap Screw, Hex Head .312-16 x .75
7	06400509	6	Washer, Flat .312
8	02074553	1	Weldment, Blower
9	02078651	2	Support Beam, Blower
10	05900801	8	Cap Screw, Hex Head .38-16 x 1.00
11	02075600	1	Fan, Impeller
12	06605600	1	Key, Straight .38 x .38 x 2.0
13	02074353	1	Weldment, Fan Cover
14	06300029	6	Washer, Locking .312
15	05400235	1	Bearing, Four-Bolt Flange
16	06300031	4	Washer, Lock .438
17	05901022	4	Cap Screw, Hex Head .44-14 x 1.25 Grade 8
18	07300310	1	Pulley, V 2G 3V 6.5 Taper Lock
19	05500439	1	Bushing, Drive Sheave
20	05400234	1	Bearing, Two-Bolt Flange
21	05900703	4	Cap Screw, Hex Head .50-13 x 1.50
22	06400416	9	Washer, Flat .50
23	02116500	4	Nut, Lock .50-13
24	05400251	1	Holder, Bearing
25	07300311	1	Pulley, V 2G 3V 5.5 Taper Lock
26	05500438	1	Bushing, Drive Sheave
27	07200329	1	V-Belt (Matched Set of Two)
28	02087100	1	Engine, 18 HP Kohler Command
29	06600112	1	Key .25 x .25 x 1.25
30	05900931	4	Cap Screw, Hex Head .38-16 x 1.75
31	07000830	1	Nipple .38 x 3.50
32	07001435	1	Elbow .375-18 NPTF
33	02085600	2	P-Clamp
34	02089751	1	Weldment, Engine Base
35	05900623	2	Cap Screw, Hex Head .38-16 x 1.25
36	05900921	1	Cap Screw, Hex Head .50-13 x 5.00
37	06500612	1	Nut, Hex .50
38	06500521	4	Nut, Hex Serrated Flange .38-16
39	06400418	16	Washer, Hardened .50
40	05900824	4	Cap Screw, Hex Head .38-16 x 1.50
41	N/A	1	Plug, Oil Drain (Use drain plug supplied with engine)

# BATTERY AND FUEL

Model 995420, 430



PP0024

# BATTERY AND FUEL

---

Model 995420, 430

Item	Part No.	Qty.	Description
1	02174600	2	Nut, Hex Jam Nylock .38-16
2	06400417	14	Washer, Flat .38
3	02141251	1	Plate, Battery Hold Down
4	02078400	1	Cable, Battery Positive
5	02078300	1	Cable, Battery Ground
6	02078500	1	Battery
7	05900801	2	Cap Screw, Hex Head .38-16 x 1.00
8	06200040	2	Bolt, Carriage .38-16 x 8
9	02953051	1	Plate, Battery Mounting
10	02141551	2	Strap, Fuel Tank Mounting
11	02134300	10	Nut, Lock .38-16 Crimp
12	02589600	2	Cable Tie .187 x 14.25
13	02088953	1	Weldment, Belt Guard
14	07001424	5 ft.	Hose, Fuel .25 I.D.
15	02653200	2	Clamp, Hose Worm Drive Stainless Steel
16	02142300	1	Assembly, Fuel Pickup
17	02085500	1	Tank, Six Gallon Fuel
18	02087200	1	Cap, Vented Fuel Black
19	02141451	1	Mounting Plate, Fuel Tank
20	05900621	4	Cap Screw, Hex Head .312-18 x 1.00
21	06500533	4	Nut, Hex Serrated Flange .312-18
22	06529800	3	Nut, Locking Center .31-10
23	06400509	11	Washer, Flat .312
24	06500512	4	Nut, Hex Nyloc .312-18
25	02141300	1	Fitting, Bulkhead
26	02089353	1	End Plate, Belt Guard
27	05900620	3	Cap Screw, Hex Head .312-18 x .75
28	02089251	1	Stand, Belt Guard
29	06200031	2	Bolt, Carriage .38-16 x 1.00
30	06200105	3	Bolt, Carriage .38-16 x 1.25
31	06200034	2	Bolt, Carriage .312-18 x 1
32	06200101	2	Bolt, Carriage .312-18 x 1.75



GRAVELY Turf  
655 West Ryan Street  
Brillion, WI 54110-1072  
920-756-2141  
Fax 920-756-2407  
[www.gravelyturf.com](http://www.gravelyturf.com)