

DESIGN CLADDING



OUR MISSION

Creating healthy spaces



Paul Renson

Renson® specialises in ventilation, solar shading, and terrace coverings. With experience dating back to 1909, and a team of over 1200 employees, we develop solutions with the aim of creating a healthy and comfortable living and working environment for consumers. In doing so, we take the requirements in the field of energy efficiency and the use of renewable energy as well as maintenance friendliness into account. We offer comprehensive solutions that can turn any home into a healthy and comfortable environment. This is how we come back to our baseline “Creating Healthy Spaces”.

“We also think about the aesthetic value of each building. In this way, our ventilation and solar shading systems can be integrated almost invisibly. On the other hand, the terrace coverings and the aluminium blades for cladding serve as clear accents that add architectural value. Inside, we take care of the invisible integration of the doors, without visually disruptive frames or visible hinges.”

“We also think about the aesthetic value of each building. In this way, our ventilation and solar shading systems can be integrated almost invisibly. On the other hand, the terrace coverings and the aluminium blades for cladding serve as clear accents that add architectural value. Inside, we take care of the invisible integration of the doors, without visually disruptive frames or visible hinges.”

Discover how Renson® products can optimise the comfort experience within a contemporary design.

“We not only develop innovative solutions, but also think of the aesthetic added value of each building.”



TABLE OF CONTENTS

OVERVIEW OF RANGE	p. 9	ACCESSORIES	
HORIZONTAL DESIGN LINIUS®		Linius® horizontal	p. 46
Structure of the system	p. 14	Locking tools	p. 46
Components		Finger clamp protection for sectional doors	p. 47
Basic profiles	p. 15	Linarte® vertical	p. 48
Finishing profiles	p. 16	Direct fixation	p. 48
Mullion	p. 16	Finger clamp protection for sectional doors	p. 54
Clips	p. 17	Wood or LED module inserts	p. 55
Fixations	p. 17	Wood inserts	p. 56
Technical details		House numbers	p. 57
System depth	p. 18	LED modules	p. 58
Maximum span	p. 18	Indirect lighting	p. 62
Corner finishing	p. 19	Integration techniques	p. 64
Curved design	p. 21		
VERTICAL DESIGN LINARTE®		ARCHITECTURAL DRAWINGS	
Structure of the system	p. 26	Linarte	p. 72
Components		GENERAL	
Basic profiles	p. 27	Warranty	p. 96
Corner profiles	p. 28	Maintenance	p. 97
Fitting profiles	p. 30	FAQs and tips	p. 98
Changing profiles	p. 31	Why Renson®?	p. 99
Support profile	p. 32	Renson® Academy	p. 101
Mullion	p. 32	Renson® pre- & aftersales	p. 101
Clips	p. 32	GLOSSARY	p. 103
Nominal spacer	p. 33		
Fire clips	p. 33		
Technical details	p. 34		
System depth	p. 34		
Maximum span	p. 35		
Specific applications	p. 36		
Semi-open cladding	p. 36		
Curved applications	p. 37		
Dayside finishing	p. 38		
Gate and door cladding	p. 40		
Mix	p. 42		



WHY RENSON® FAÇADE CLADDING?

As a trendsetter and pioneer, Renson® is a global player in total concepts. By choosing Renson®, you not only choose top design and top quality, but you are also assured that you can bring the created atmosphere throughout the house with other Renson® products in exactly the same style. Thanks to continuous innovation and thorough testing, the design of our products is constantly optimised, durability is improved, and comfort is taken to a higher level.

SLEEK DESIGN

Looking for an extra touch for your home, shop, or corporate building? With Linius and Linarte façade cladding, you're guaranteed to impress. Horizontally or vertically, in any colour, for both inside and outside and even as a seamless finish for curved façades or around corners. Thanks to the invisible fixings, you can be sure of an excellent result.

INFINITELY PERSONALISABLE

A subtle design or clear statement: get creative with the possibilities to personalise your façade with different inserts in wood or LED lighting, various colour combinations, or an integrated house number.

COMPLETE CONCEPT

A system is only complete when it can also solve practical problems, such as stylishly hiding doors and garage gates, dayside finishing of windows, and technical accessories like sockets, intercoms, or water taps. There are corner solutions for all styles and heights to accommodate transition profiles. We offer a complete range of profiles.

SUSTAINABLE AND ENVIRONMENTALLY FRIENDLY QUALITY

Thanks to the construction of aluminium profiles, you can be sure of durable and sturdy cladding that can withstand the most extreme weather conditions. Moreover, aluminium cladding is also an environmentally conscious choice, as aluminium has acquired the reputation of green metal through its 100% and infinite recyclability.

MAINTENANCE-FRIENDLY

Aluminium cladding is very low maintenance. The powder-coated profiles retain their colour and are easy to clean.










DESIGN FAÇADE CLADDING







OVERVIEW OF RANGE

Horizontal Linarius		<p>L.033</p> 	<p>p. 15</p>
	BLOCK 16		
Vertical Linarte	 <p>BLOCK 16</p>  <p>BLOCK 16L</p>		<p>p. 27</p>
	BLOCK 30		
			<p>p. 27</p>
	EVEN		
		<p>p. 27</p>	

HORIZONTAL DESIGN

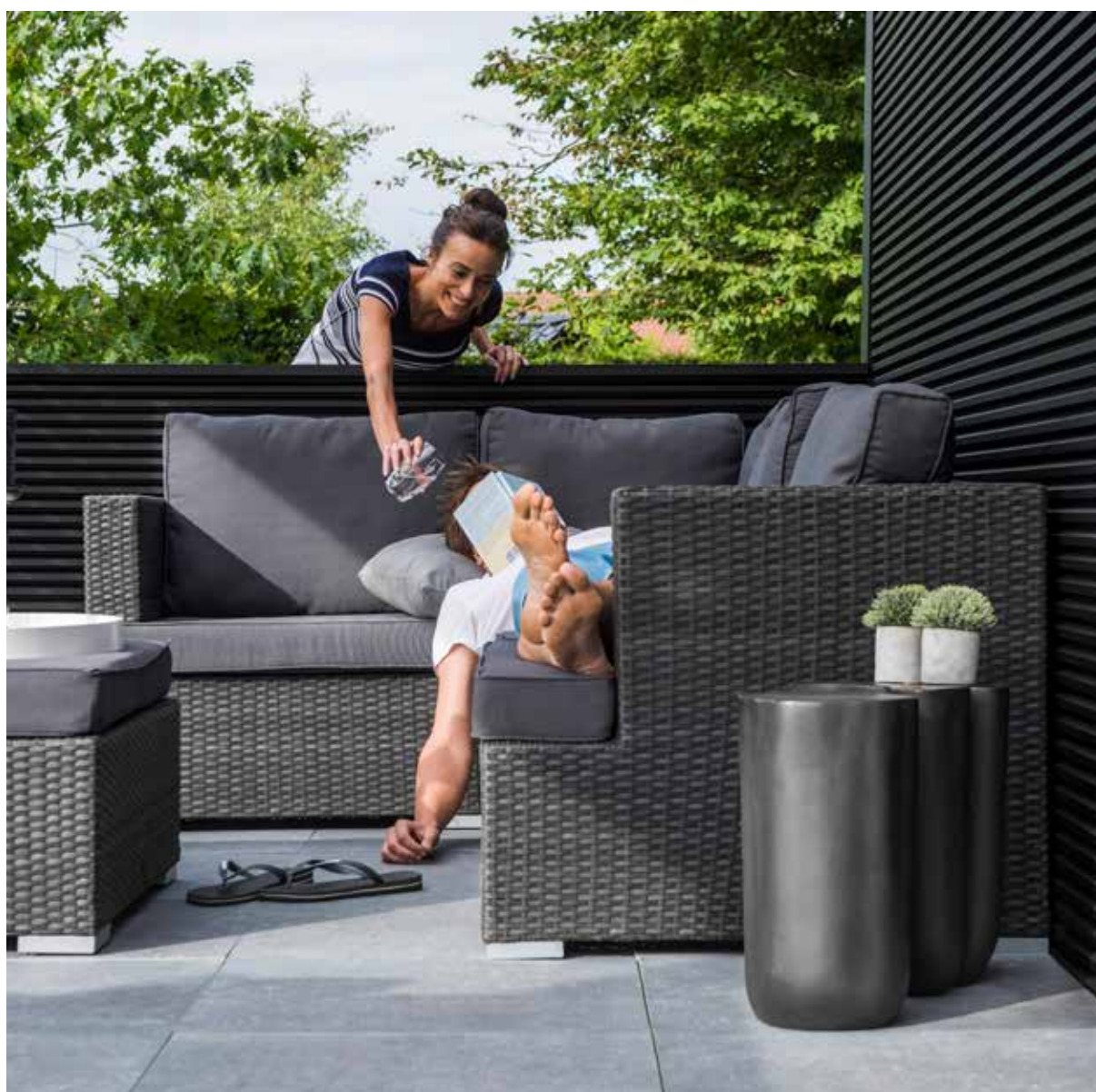
Aluminium design cladding with horizontal accent





LINIUS® L.033

The Linius façade cladding consists of an aluminium bearing structure that is fitted with aluminium clips. The profiles can be easily mounted within this structure.





CURVED

Thanks to the individual profiles, it is even possible to finish curved façades with Linus (project applications).

SLEEK LINES

Accentuate the horizontal surfaces of your façade. Allow gates and doors to disappear inconspicuously into the façade surface.



FINGER CLAMP PROTECTION FOR SECTIONAL DOORS

To prevent fingers from getting pinched between the different door sections.

FAST INSTALLATION

The clip system allows for easy installation.



CONCEALED FIXATION

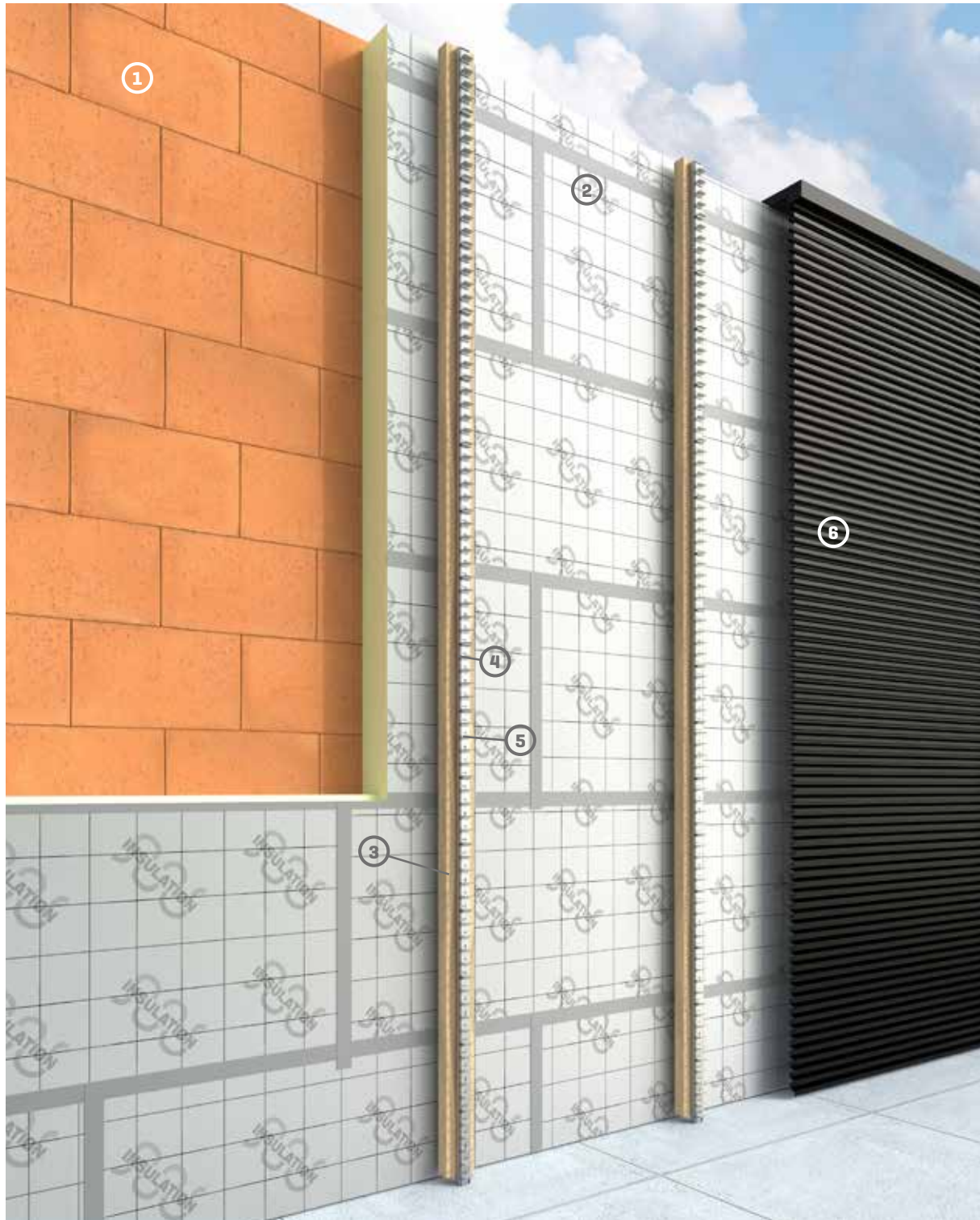
The clips ensure a sleek design while simultaneously allowing for thermal expansion.

INDOOR & OUTDOOR USE

Thanks to the high-quality workmanship, the profiles are also suitable for interior applications.

LINIUS® L.033

Structure of the system



① Bearing wall

② Insulation

③ CLS / SLS

④ Aluminium support structures

⑤ Clips

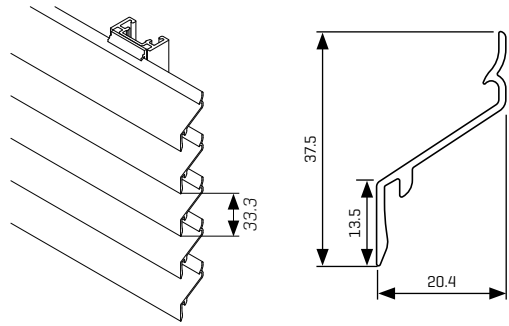
⑥ Linius profiles

LINIUS® COMPONENTS

Basic profiles

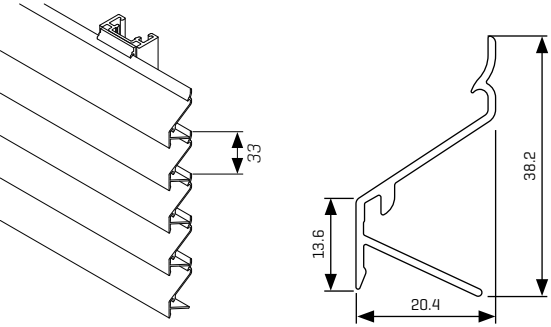
There are 3 types of basic profiles with the same front view but with a different back:

Basic profile L.033.01



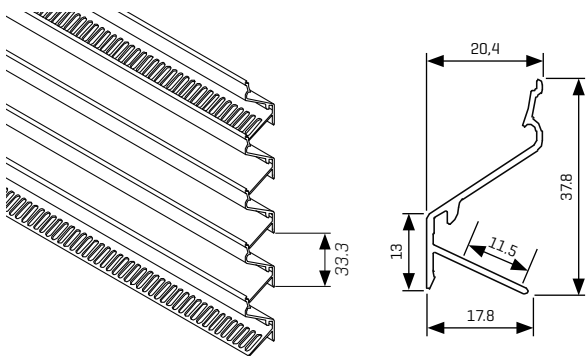
Open profile [L.033.01]
Ventilation or look through possible

Basic profile L.033CL



Closed profile [L.033CL]
Applied for completely closed façade cladding or if no visibility is desired.

Basic profile L.033IM1



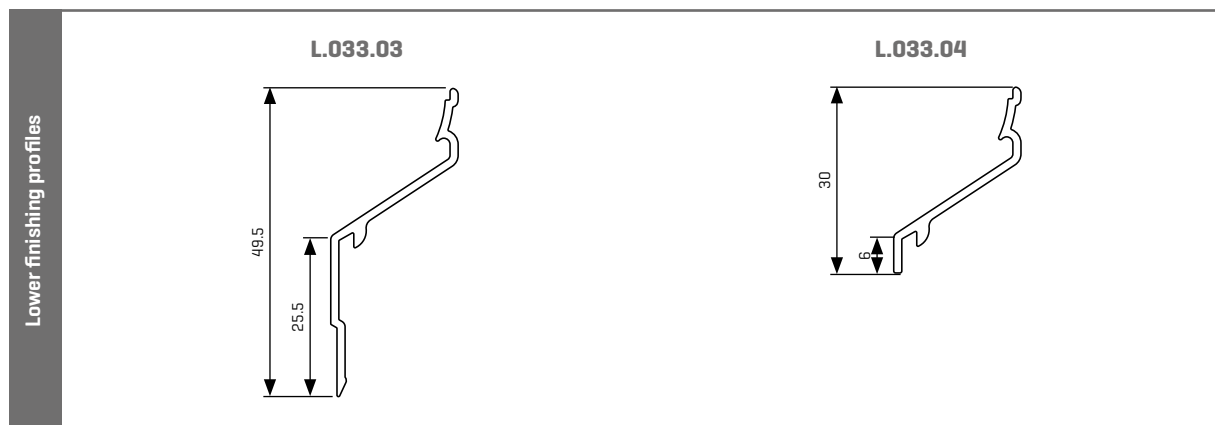
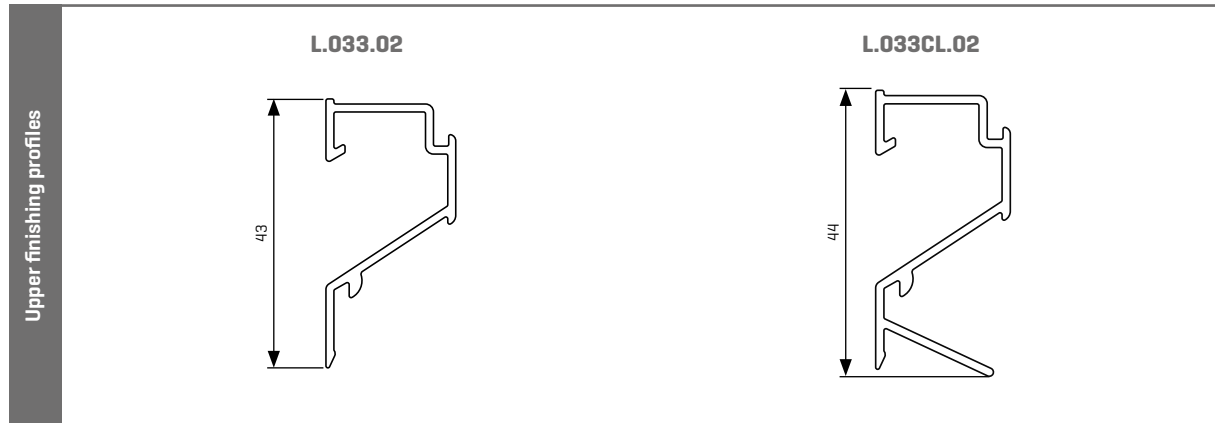
Perforated profile [L.033IM1]
Is provided at the bottom and at the top of a wall with closed profiles in order to obtain a ventilating function.

LINIUS® COMPONENTS

Finishing profiles & mullion

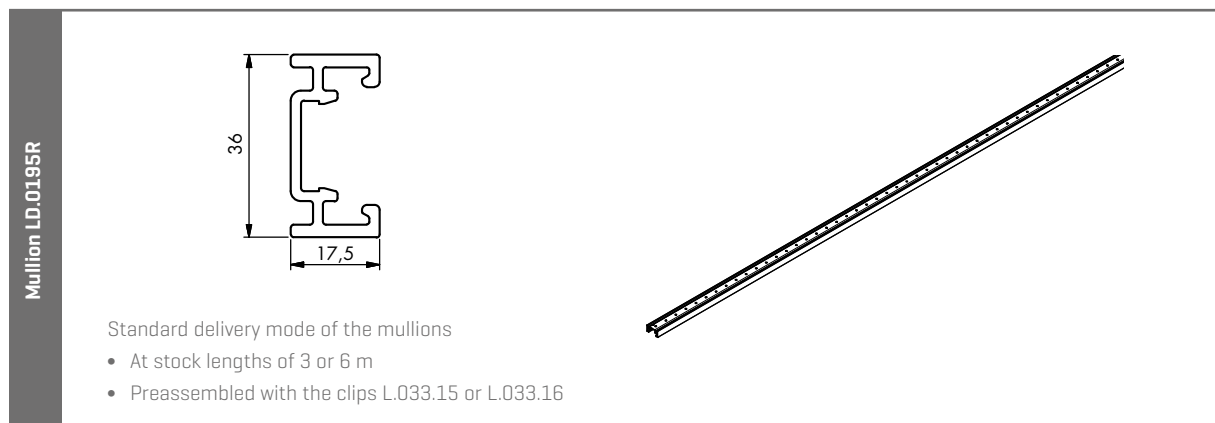
FINISHING PROFILES

The finishing profiles, above and below, provide a high-quality finish and make it possible to finish any height with the smallest possible opening below and above the wall.



MULLION

Can be mounted directly on a flat aligned surface: beam work, an existing or steel bearing structure.

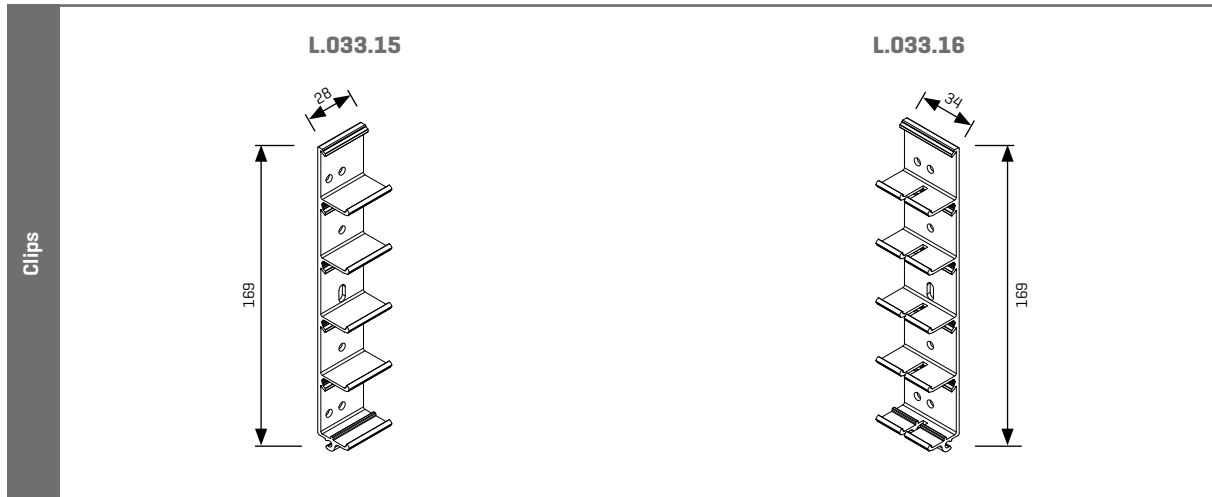


LINIUS® COMPONENTS

Clips & fixation elements

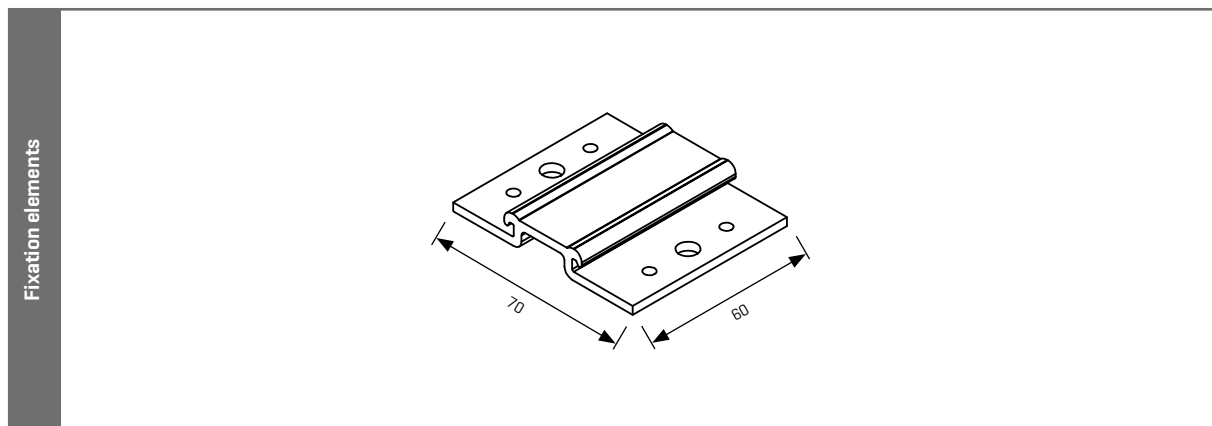
CLIPS

- Single clips: type L.033.15 [height 169 mm - width: 28 mm]
- Double clips for thermal expansion: L.033.16 [height 169 mm - width: 34 mm] [Connectors for 2 profiles]



FIXATION ELEMENTS

The Linius support structure can be attached directly to the existing structure or by means of the fixing bracket type LZ.4220.

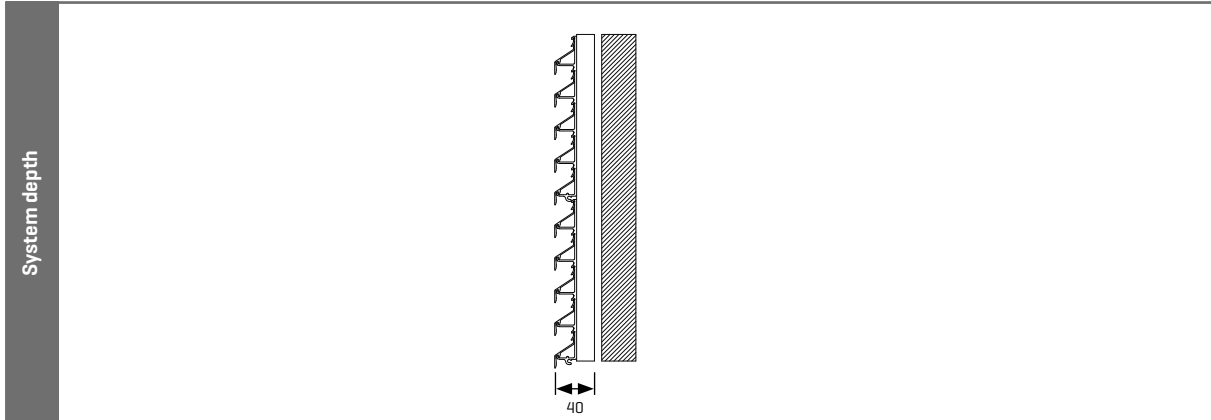


LINIUS® TECHNICAL DETAILS

System depth & maximum span

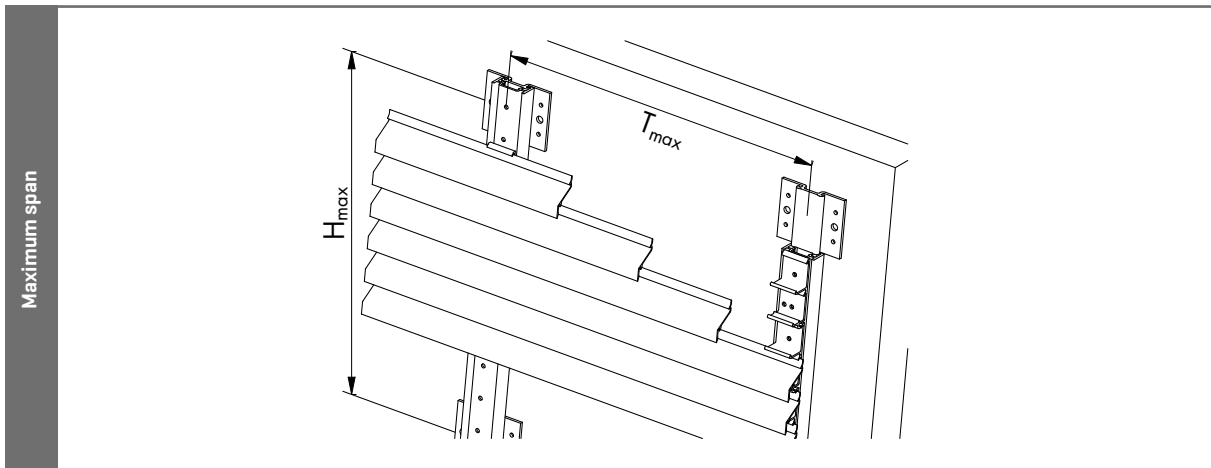
SYSTEM DEPTH

This is the total package thickness of the system [mullion + clips + blade] [excl. beam]



MAXIMUM SPAN

The maximum span depends on the type of profile and the wind load.



TECHNICAL DETAILS

Materials

Aluminium extrusion alloy EN AW-6063 T66

Polyester powder coating [60-80 micron] in Renson standard textured coating colours

Dimensions	L.033.01	L.033IM1	L.033.CL
Pitch		33,3 mm	
Depth		20 mm	
Height		38 mm	
Max. profile length		6000 mm	
B _{max} = Max. span between two vertical supports*		800 mm	
H _{max} = Max. span for fixing the supports to the underlying structure*	710 mm		600 mm
Weight/m ²	6,5 kg	7,4 kg	7,7 kg
Warranty			
Product warranty		10 years	
Coating aluminium profiles		10 years	

* Under wind pressure $q_p(z)$ 800 Pa

LINIUS® TECHNICAL DETAILS

Corner finishing

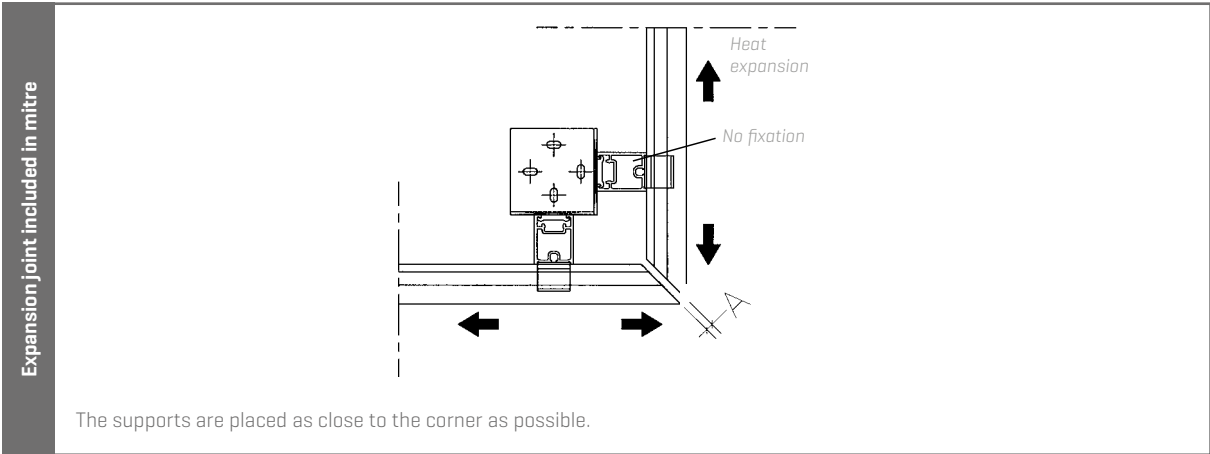
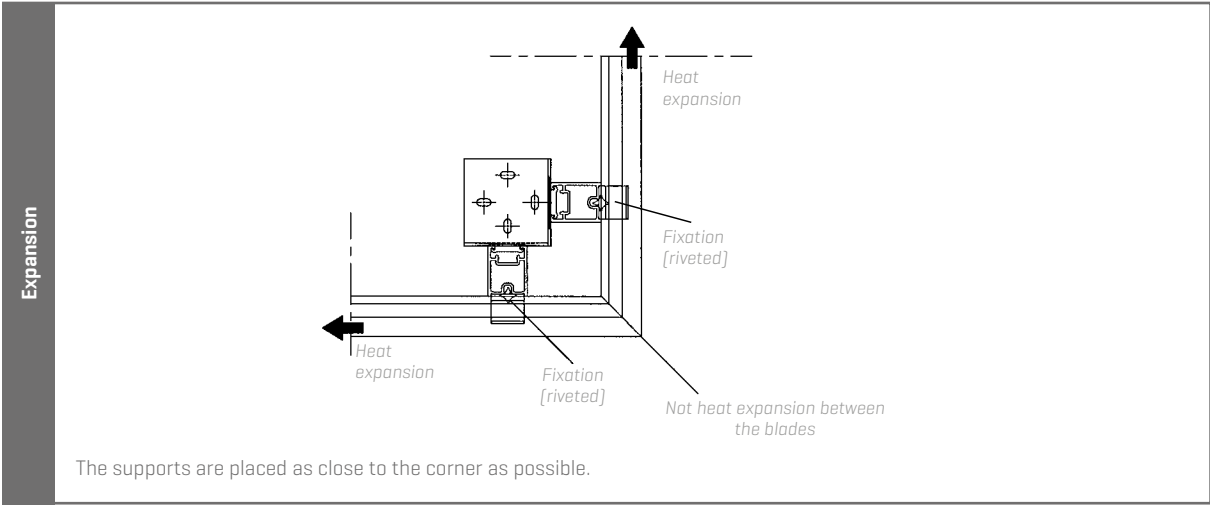
CORNER FINISHING

The corner profiles are delivered with mitre cuts in the corners as standard. They need to be neatly aligned.



HEAT EXPANSION

Aluminium expands 1 mm per metre. In order to allow for this, sufficient space must be provided between 2 profiles so that they are not under tension.

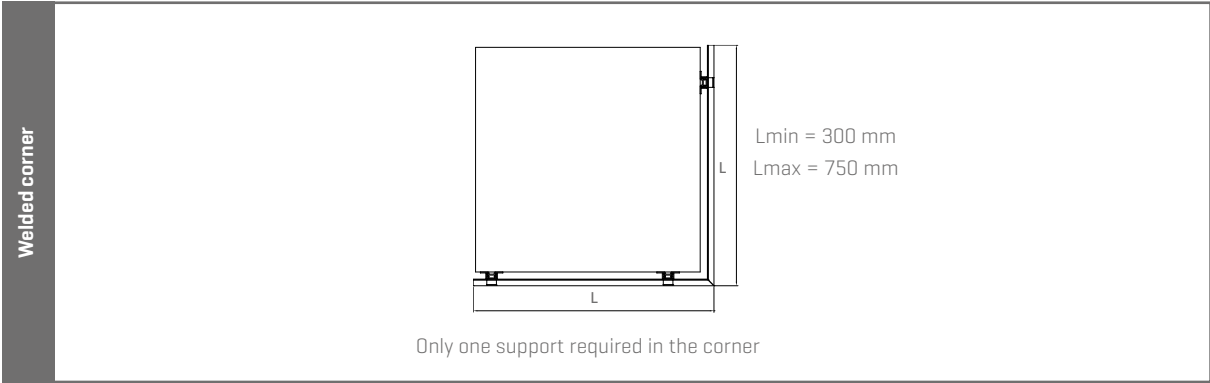


LINIUS® TECHNICAL DETAILS

Corner finishing

OPTION: WELDED CORNERS

The profiles are welded in the corner, resulting in a sleek appearance. This corner solution is not only more aesthetically pleasing, but also reduces the risk of injury because the welded corners are softer to the touch. Only symmetrical versions are possible.

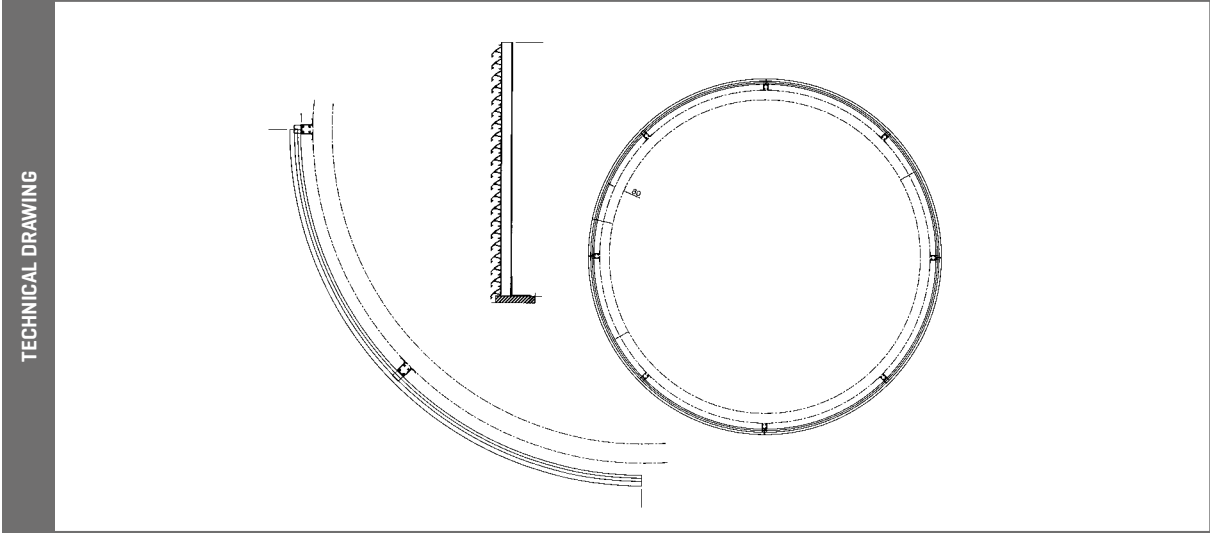


LINIUS® TECHNICAL DETAILS

Curved design

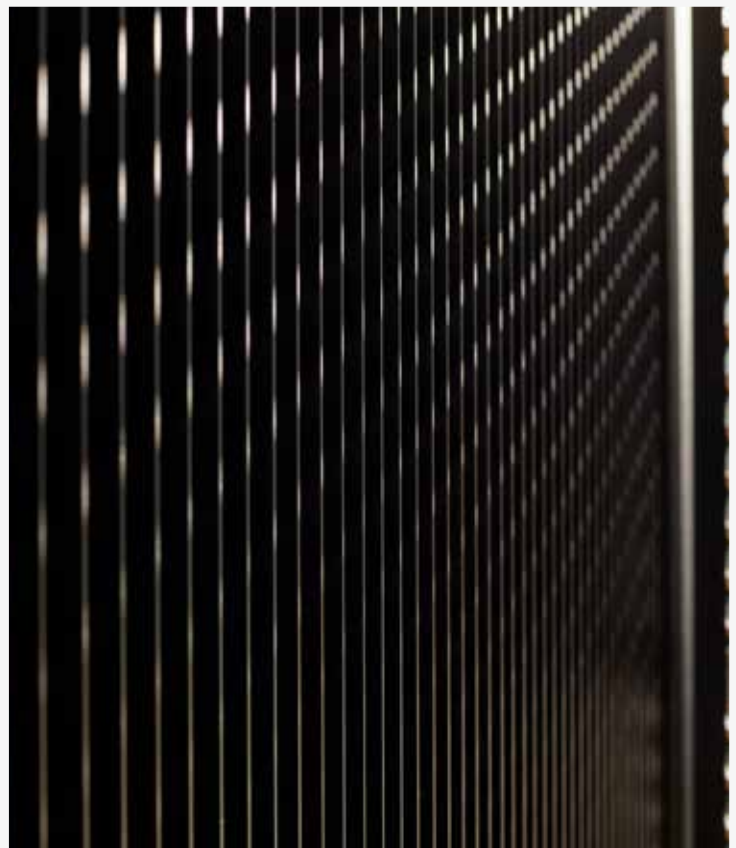
CURVED DESIGN

The profiles are also available in curved versions, with a minimum internal or external radius of 800 mm.



VERTICAL DESIGN

Aluminium design cladding with a vertical accent



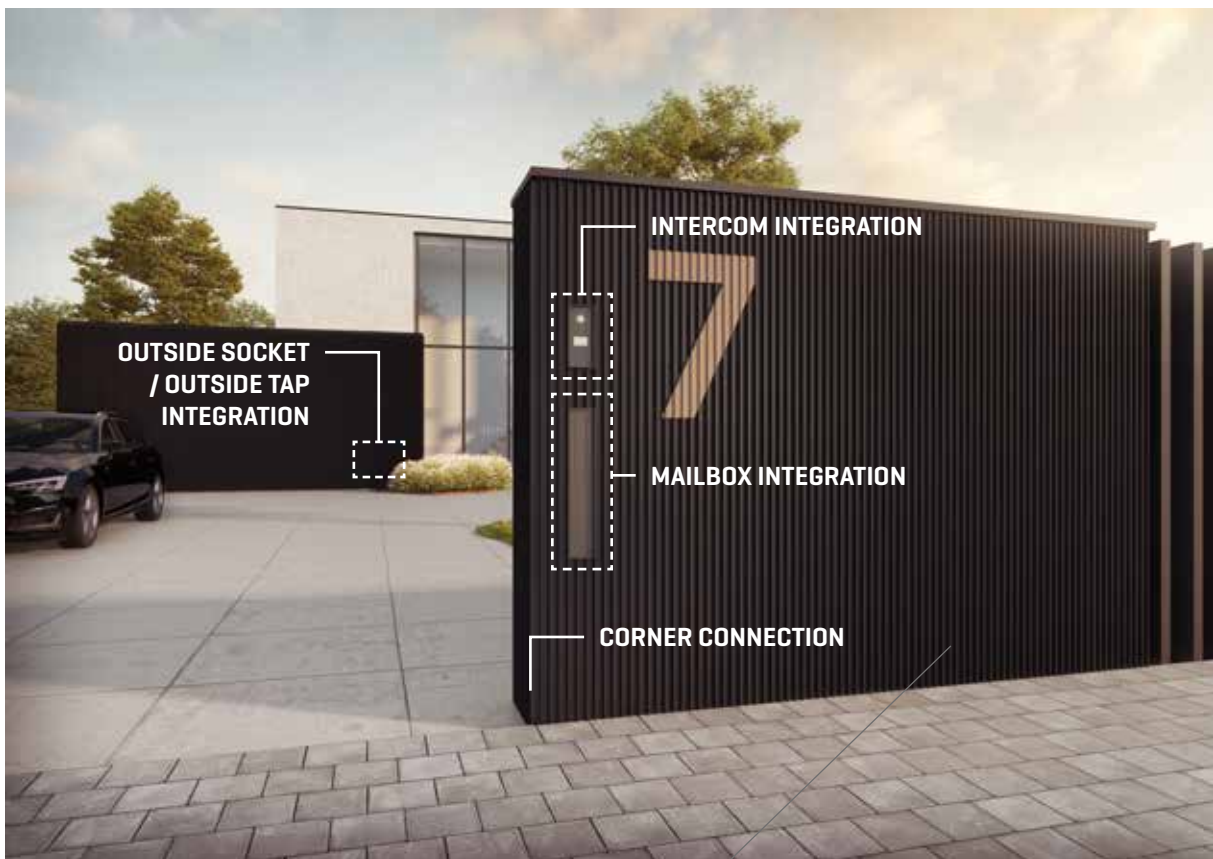


LINARTE®

The Linarte façade cladding is constructed from an aluminium bearing structure that is fitted with plastic clips. The profiles can be easily mounted within this structure.

SEAMLESS INTEGRATION OF FUNCTIONALITIES

Designs for sockets, taps, & intercoms.



PATENTED

CONCEALED FIXATION

The patented clips ensure a sleek design while simultaneously allowing for thermal expansion. In addition, they make it very easy to replace damaged profiles.



reddot design award
winner 2018



SLEEK LINES

Add a subtler or strongly pronounced vertical accent to your façade or interior.

INDOOR & OUTDOOR USE

Thanks to the high-quality finish, the profiles are also suitable for interior applications. Accentuate your hearth or expand your living room by drawing the wall through from the inside to the outside.



FAST INSTALLATION

The intelligently developed and patented clip system allows for easy installation. The system is adjustable in width.

SEAMLESS CORNER CONNECTIONS

Thanks to the specially developed corner profiles, the sleek design runs through seamlessly.



PERSONALISATION

You can combine the various profiles and define your own look. Finish the façade to suit your own personality using the wooden inserts and LED modules.

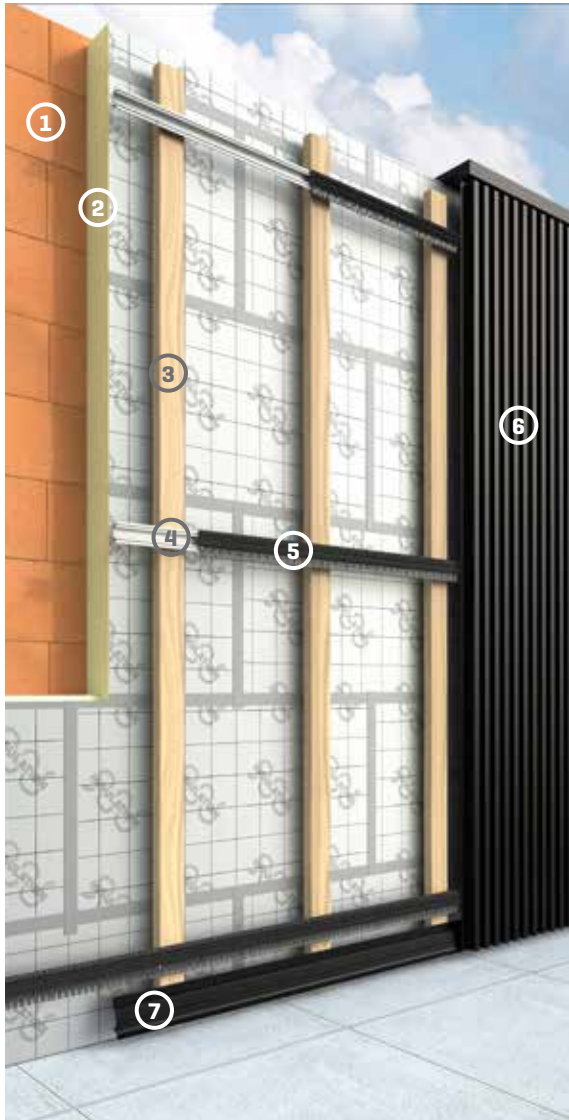
CURVED FAÇADES

It is even possible to finish curved façades using Linarte thanks to the individual profiles.

LINARTE®

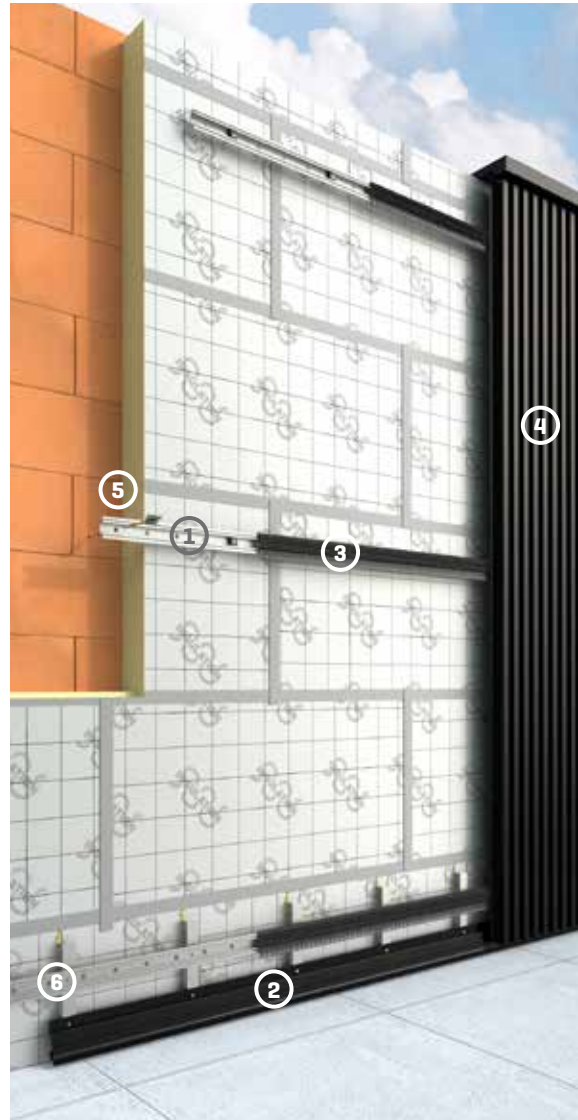
Structure of the system

ON A WOODEN BEAM STRUCTURE OR EXISTING STRUCTURE



- ① Bearing wall
- ② Insulation
- ③ CLS / SLS
- ④ Aluminium mullions
- ⑤ Clips
- ⑥ Linarte profiles
- ⑦ Support profile

DIRECT FIXATION



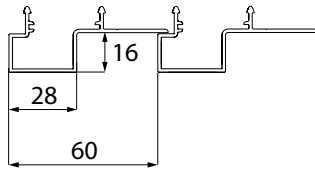
- ① Punched mullions
- ② Support profile
- ③ Clips
- ④ Linarte profiles
- ⑤ Distance screws and anchor plug
- ⑥ Profile support

LINARTE® COMPONENTS

Basic profiles

There are 3 types of basic profiles designed to shape your façade. These can be placed per type, but it is also perfectly possible to apply them interchangeably, giving you a unique and personal result.

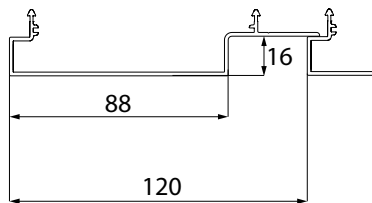
Basic profile BLOCK 16



BLOCK 16

The basic version of the Linarte BLOCK-shaped aluminium profiles are 16 mm deep. This limited depth creates a subtle vertical interplay of lines with limited relief and a minimalist look.

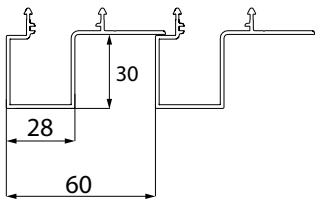
Basic profile BLOCK 16L



BLOCK 16L

The 16 mm deep BLOCK profiles are also available on a width of 120 mm. This type is only applicable in the random walls.

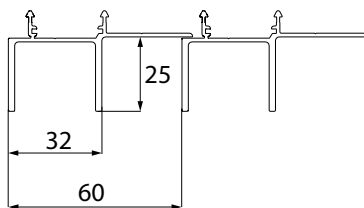
Basic profile BLOCK 30



BLOCK 30

The BLOCK-shaped Linarte profile with a depth of 30 mm creates a strongly pronounced vertical line pattern. This produces striking shadow effects that bring a façade to life. These deep BLOCK profiles can be combined with inserts in wood or LED modules.

Basic profile EVEN



EVEN

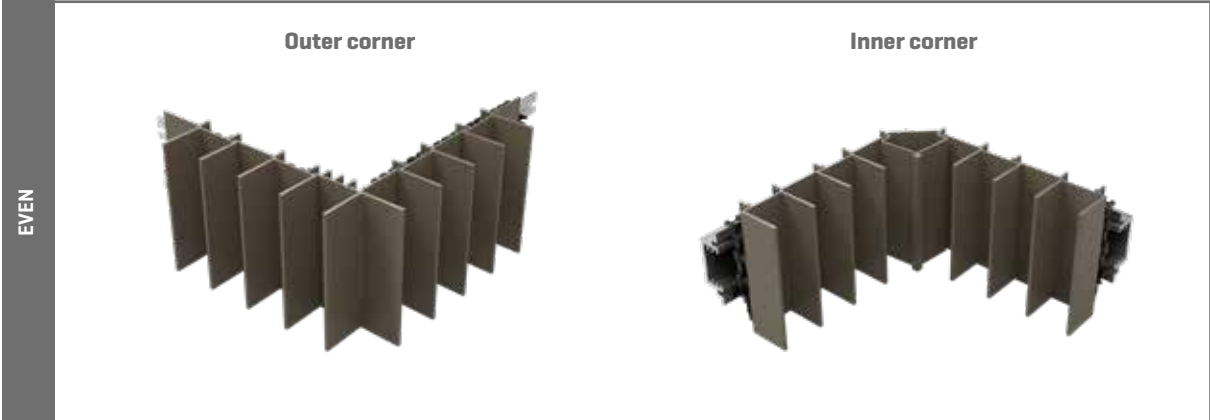
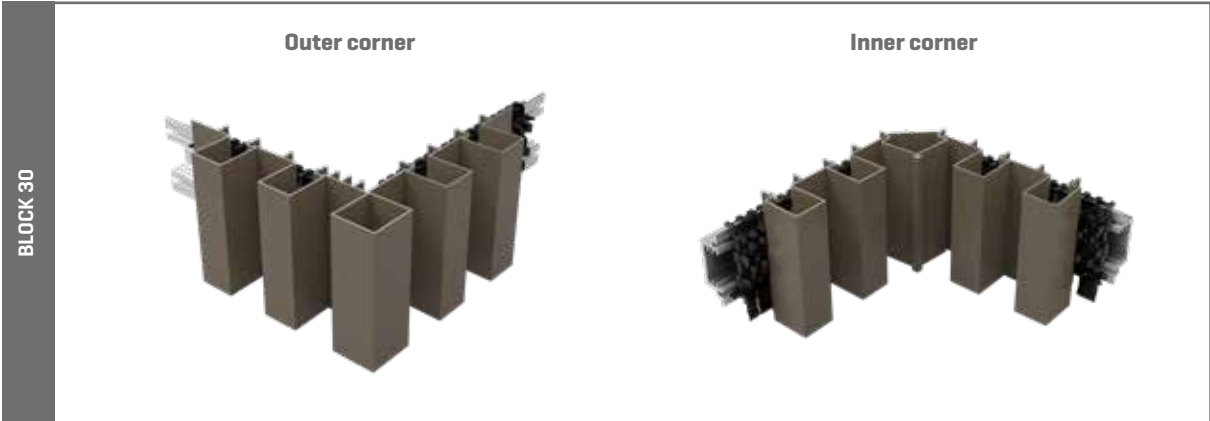
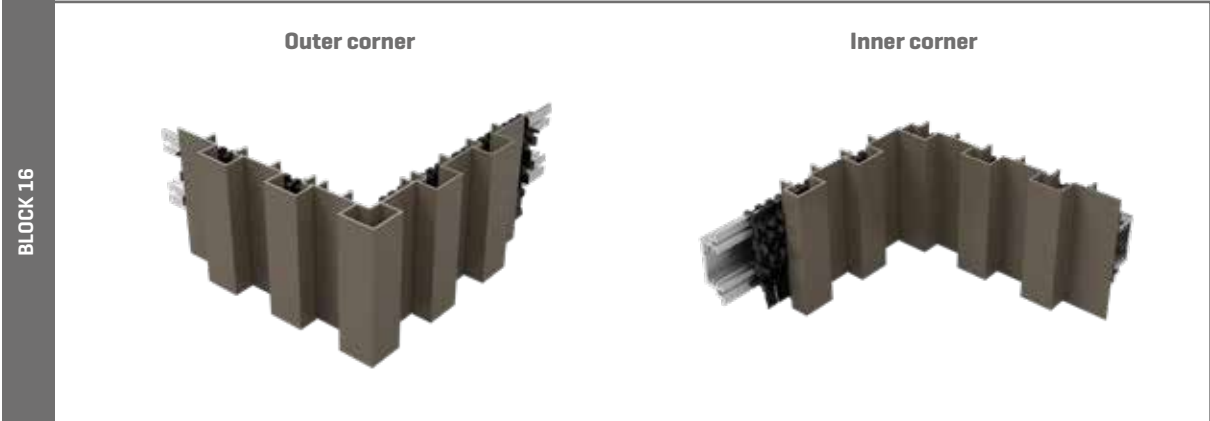
The rib-shaped EVEN profile of 25 mm deep ensures the sleekest Linarte result and emphasises the vertical lines of a façade the strongest. These profiles can also be combined with inserts in wood or LED modules.

LINARTE® COMPONENTS

Corner profiles

CORNER PROFILES

To achieve a seamless corner finish, you use 3 types of external corner profiles and 1 internal corner profile.



LINARTE® COMPONENTS

Corner profiles

CORNER PROFILES

BLOCK 16

Outer corner

BLOCK 30

Outer corner

Inner corner

EVEN

Outer corner

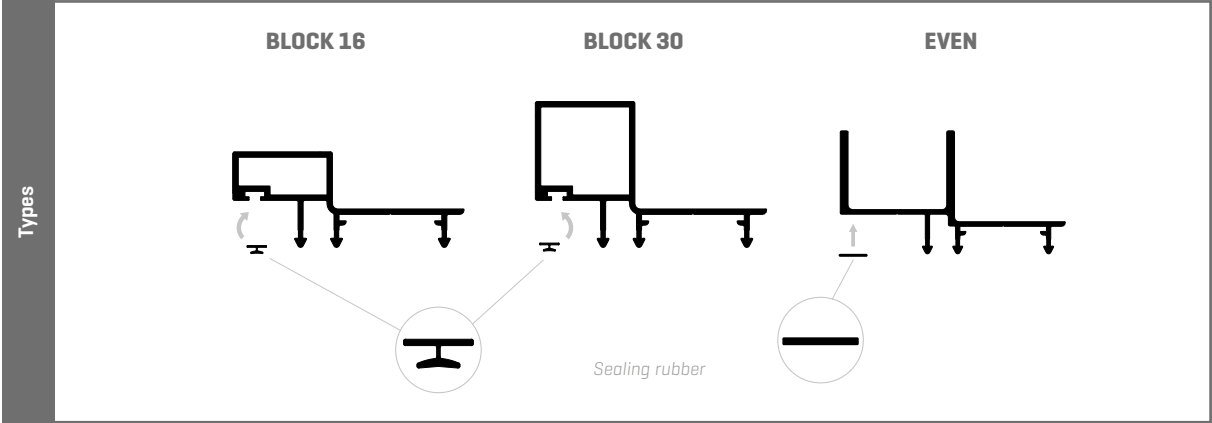
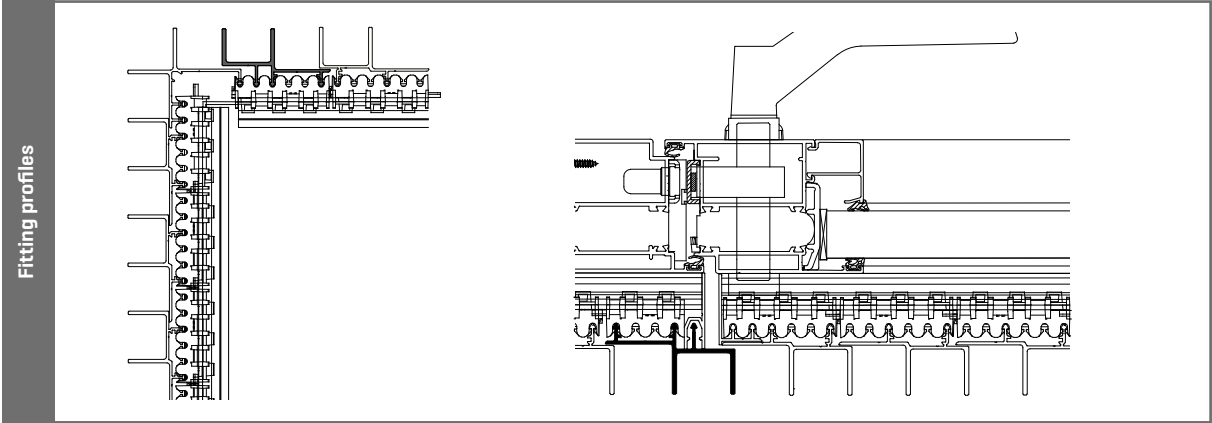
Inner corner

LINARTE® COMPONENTS

Fitting profiles

FITTING PROFILES

A fitting profile is always combined with the outer corner profiles BLOCK 30 and EVEN. The fitting profiles are also used for connections next to gates or doors and can be provided with a sealing rubber for this purpose.

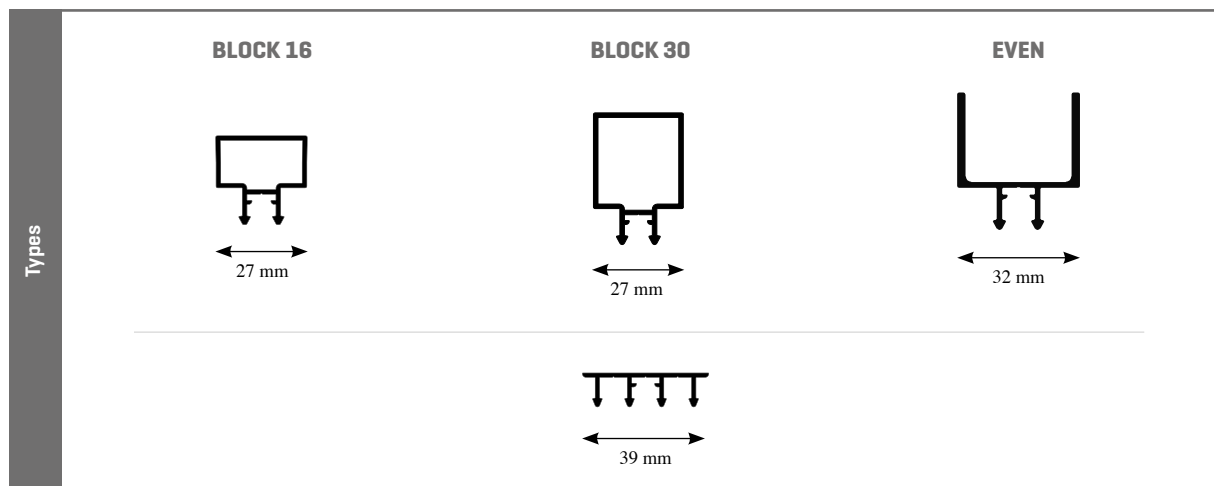
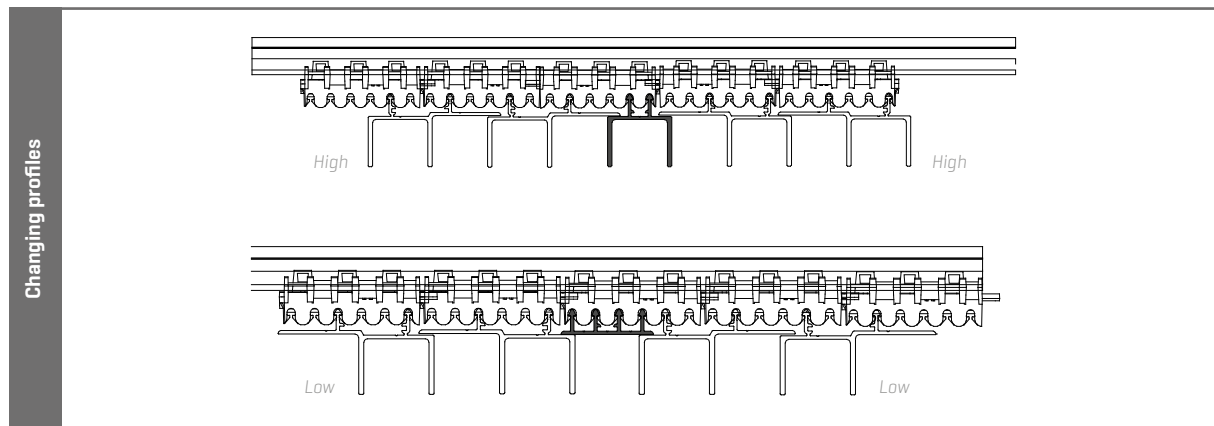


LINARTE® COMPONENTS

Changing profiles

CHANGING PROFILES

To make the finish as symmetrical as possible (e.g. around windows or doors), you can use the changing profiles. This way, the wall ends with a high or a low side of the profile on both sides.

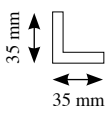
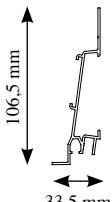


LINARTE® COMPONENTS

Support profile, mullion & clips

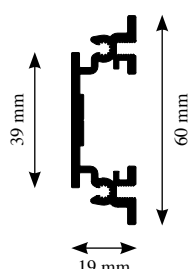
SUPPORT PROFILE

The profiles must be supported at the bottom by a support profile. There are two types available:

Support profiles	 <p>LA.S01 L 35x35x3</p> <p>Suitable for application on internal walls, aluminium background, or door profiles. Not suitable for installation on wooden beam work [if a screw is attached too close to the end of the CLS, there is a risk of that the wood could crack].</p>
	 <p>LA.S02 Extruded support profile 106.5 x 33.5 x 1.5 mm</p> <p>Suitable for fixation on wooden beam work and others types. An alignment plate can be attached to several support profiles in the groove to align these with each other. Equipped with a detail in which an LED strip can be attached and a detail to a day side profile for clicking into a window from above.</p>

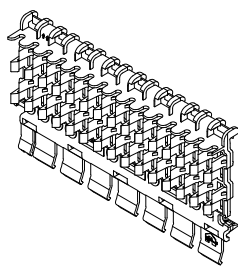
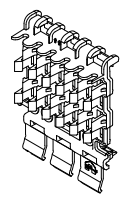
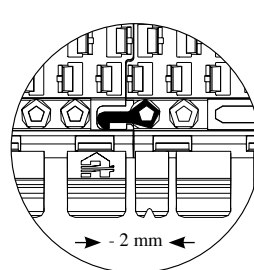
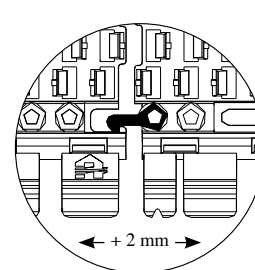
MULLION

The basic profiles are fixed to the mullion AD.01852 with clips.

Mullion	
---------	---

CLIPS

The clips are made of POM. Available in 2 widths:

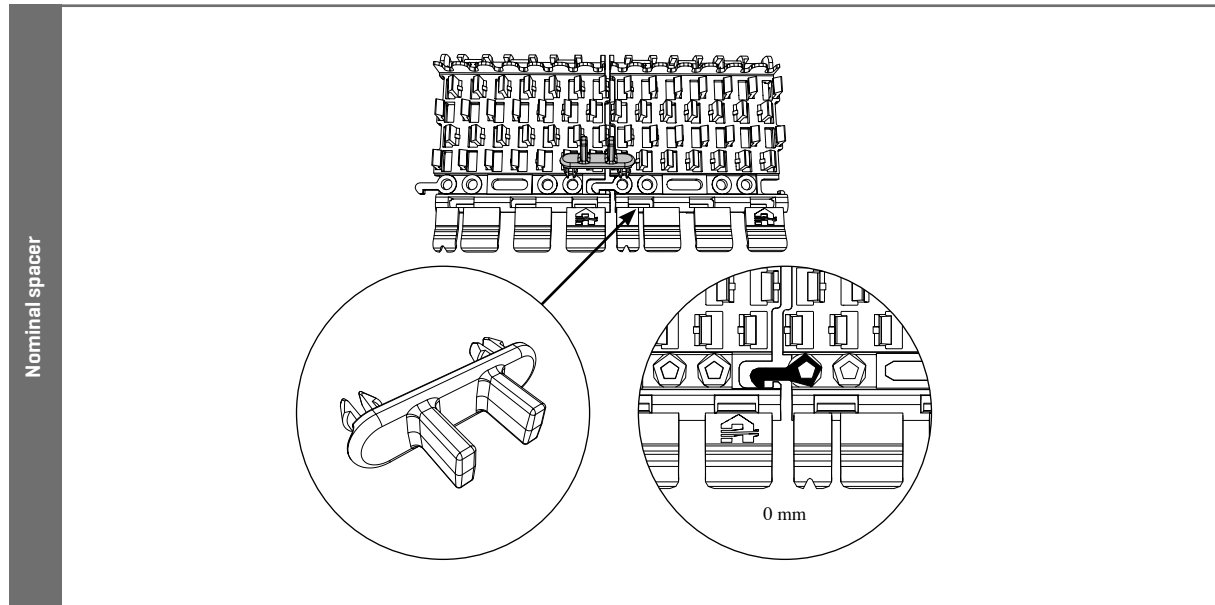
Clips	<p>G0000579</p>  <p><i>For fast installation</i></p>	<p>G0000581</p>  <p><i>Adjustable clips</i></p>	<p>For fast, nominal placement of the profiles [larger surfaces], use the clips 150. The individual clips 60 are the same width as the BLOCK or EVEN profiles and can slide in or out by 2 mm, allowing you to easily adjust the wall width to the surface to be coated. In this way, you can extend or retract up to 33 mm per running metre of wall.</p> <div style="display: flex; justify-content: space-around;"> <div style="text-align: center;">  <p>→ - 2 mm ←</p> </div> <div style="text-align: center;">  <p>← + 2 mm →</p> </div> </div>
-------	--	---	--

LINARTE® COMPONENTS

Nominal spacer & fire clips

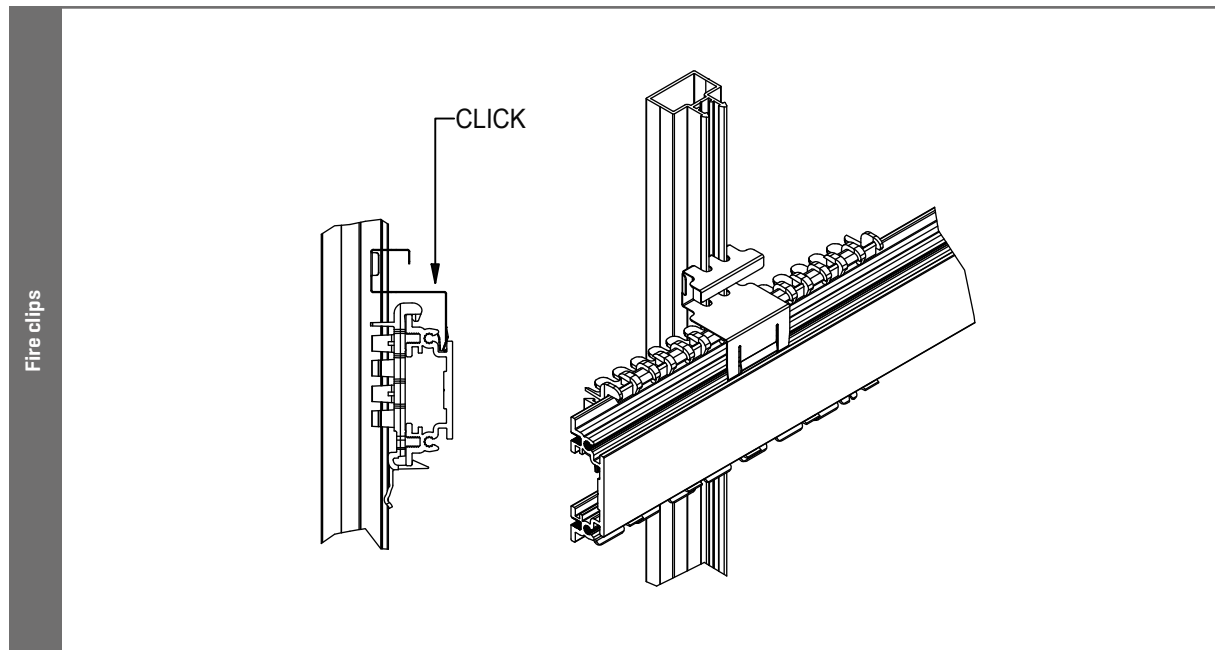
NOMINAL SPACER

With the nominal spacer, you can quickly place the clips 60 at the nominal distance of 60 mm.



FIRE CLIPS

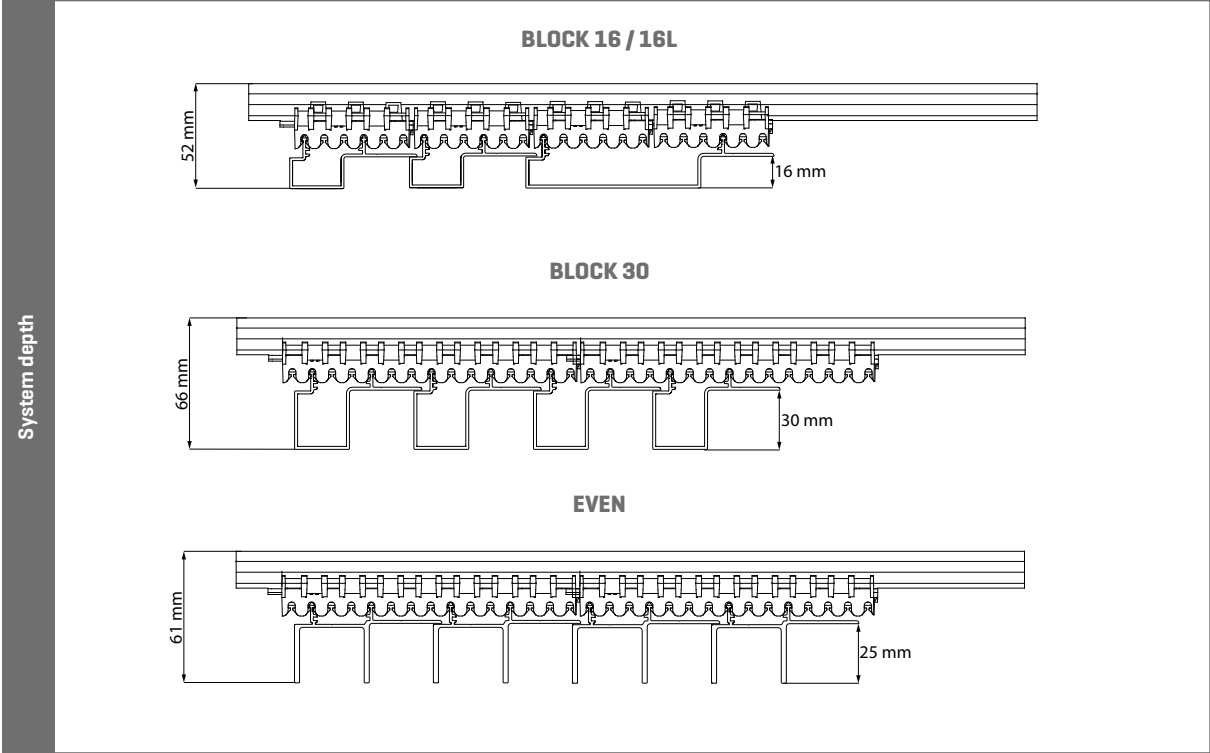
If required to comply with local fire safety legislation, each profile must be secured with a fire clip. This ensures that the profile does not fall down in the event of a fire.



LINARTE® TECHNICAL DETAILS

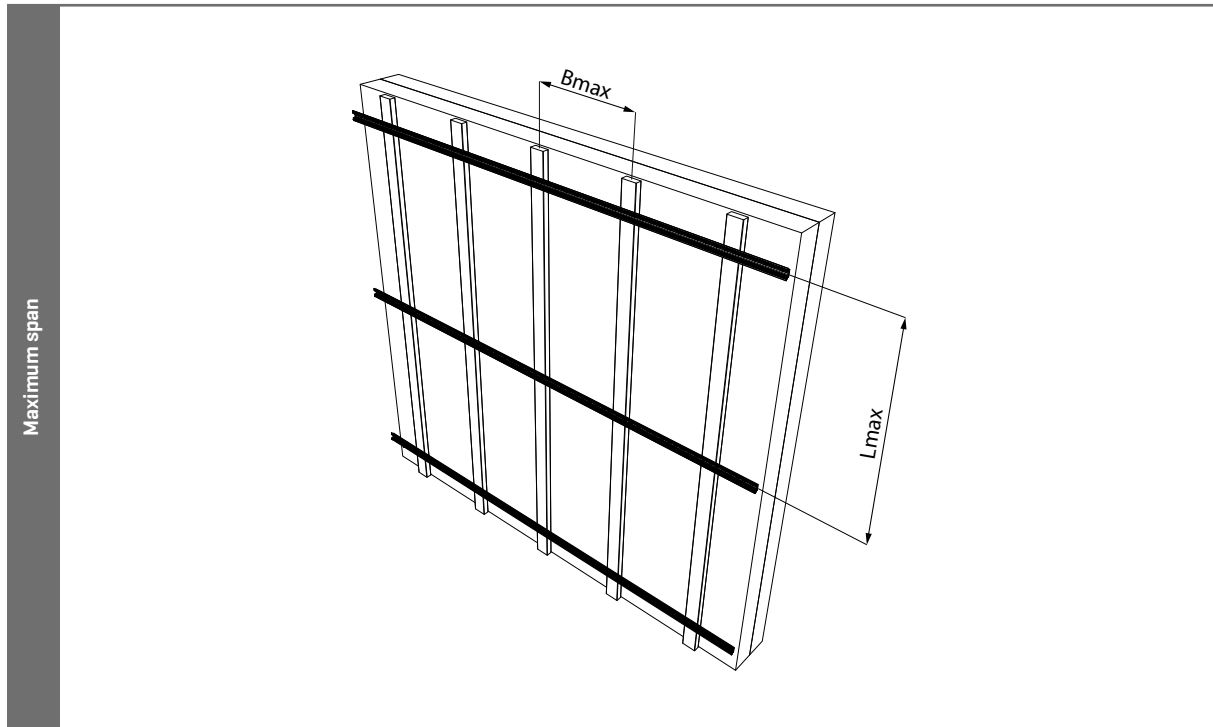
SYSTEM DEPTH

This is the total package thickness of the system [mullion + clips + profile]



MAXIMUM SPAN

The maximum span depends on the wind load.
The price list is based on a wind load of 800 Pa.



TECHNICAL DETAILS

Materials

Aluminium extrusion alloy EN AW-6063 T66

Mullions: technical anodised

Profiles: polyester powder coating (60-80 micron) in standard Renson textured coating colours

Dimensions	BLOCK 16	BLOCK 16L	BLOCK 30	EVEN
Width	60 mm	120 mm	60 mm	60 mm
Height	16 mm	16 mm	30 mm	25 mm
Max. profile length	6000 mm			
Lmax = Max. span between two horizontal supports*	1200 mm			
Bmax = Max. span for fixing the supports to the underlying structure*	800 mm			
Weight/m ²	10 kg	9 kg	13 kg	13 kg
Warranty				
Product warranty	10 years			
Coating aluminium profiles	10 years			

* Under wind pressure $q_p[z]$ 800 Pa

LINARTE® SPECIFIC APPLICATIONS

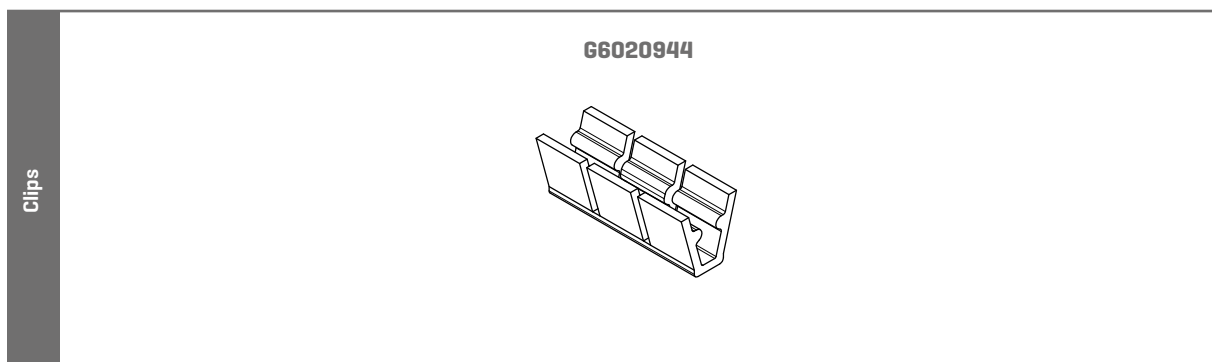
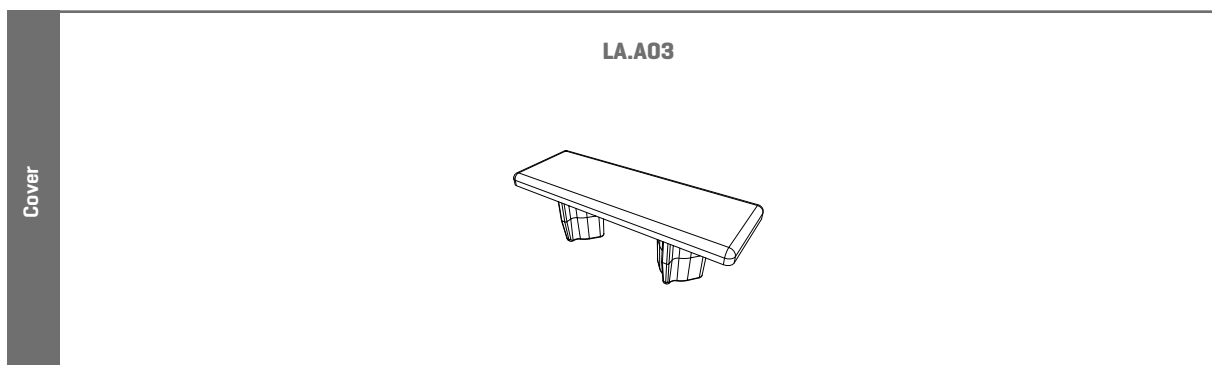
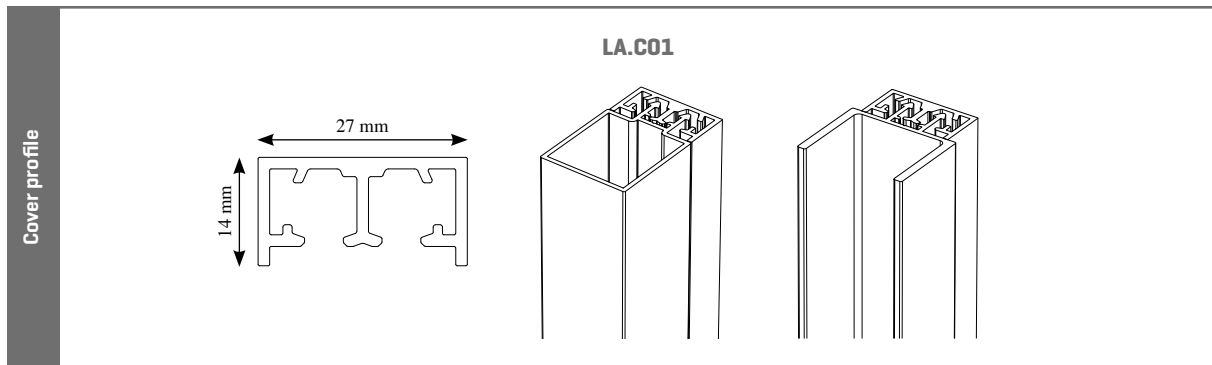
Semi-open cladding

In order to allow the profiles in front of the window to run through, the changing profiles are used. The BLOCK or EVEN profile continues over the full height of the wall, while the LA.A02 flat changing profile is interrupted at the level of the window.

An LA.C01 cover profile is fitted to the back of the BLOCK or EVEN profile using clips [every 500 mm] over the full height of the window. The changing profiles LA.A01 are closed with an aluminium cover LA.A03 coated in the same colour as the Linarte profiles.



TECHNICAL DRAWINGS

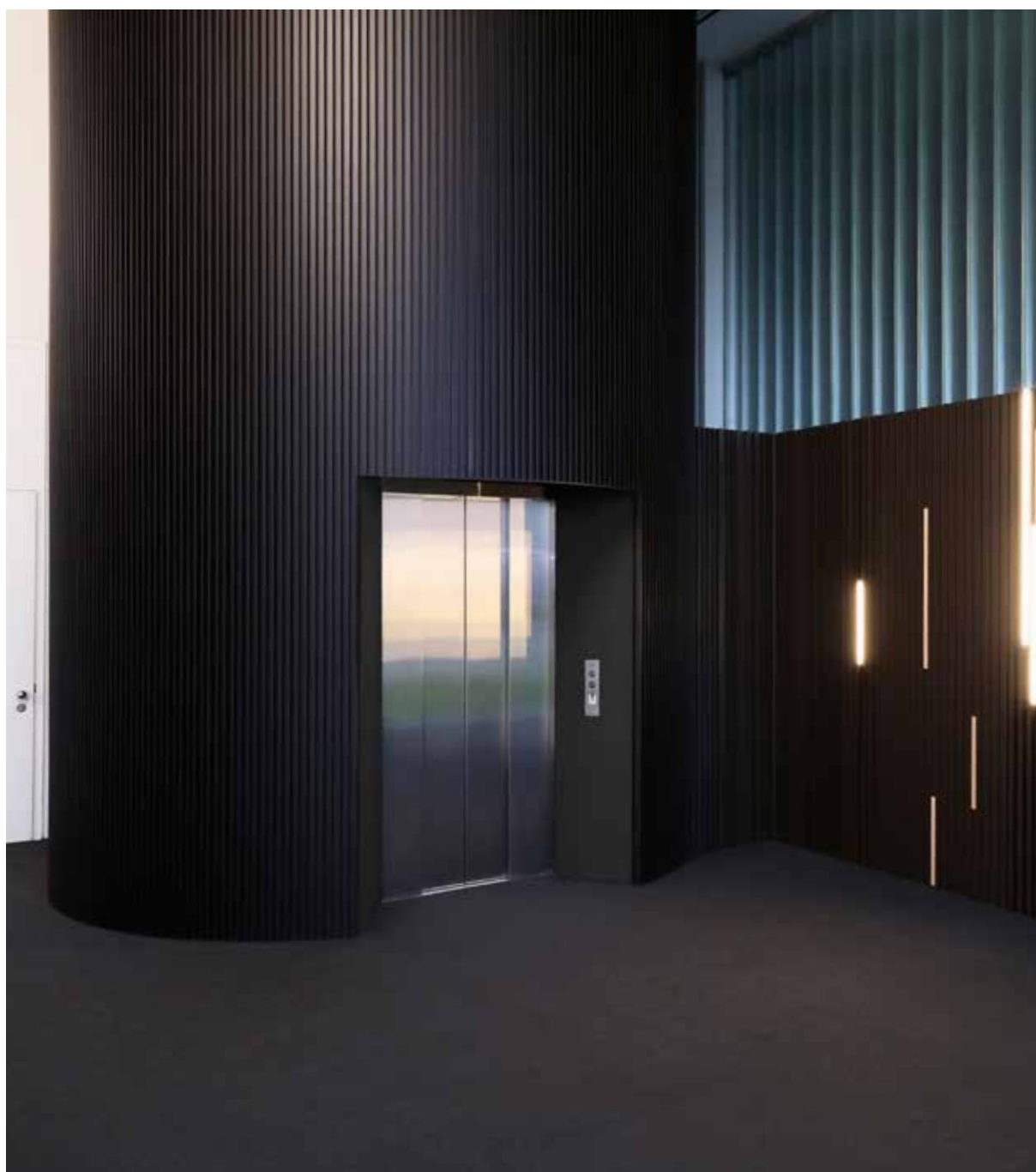


Max. window height: 1200 mm
Different heights on request.

LINARTE® SPECIFIC APPLICATIONS

Curved applications

The mullions are also available in curved versions, with a minimum internal or external radius of 1000 mm. For curved versions, only the individual clips 60 and a standard L-profile are used. Indirect LED option is not possible.



LINARTE® SPECIFIC APPLICATIONS

Day side finishing

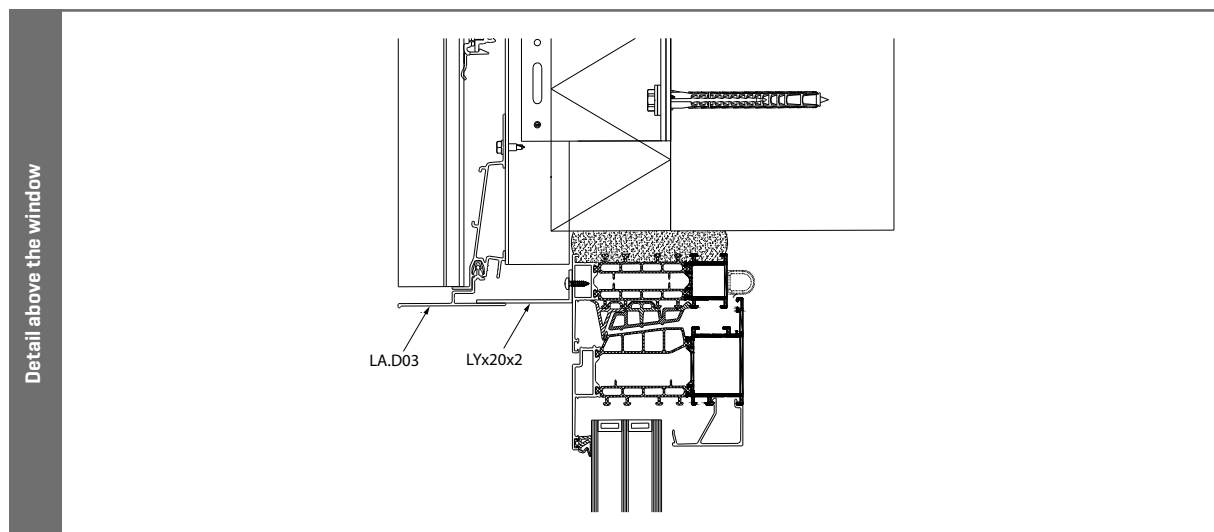
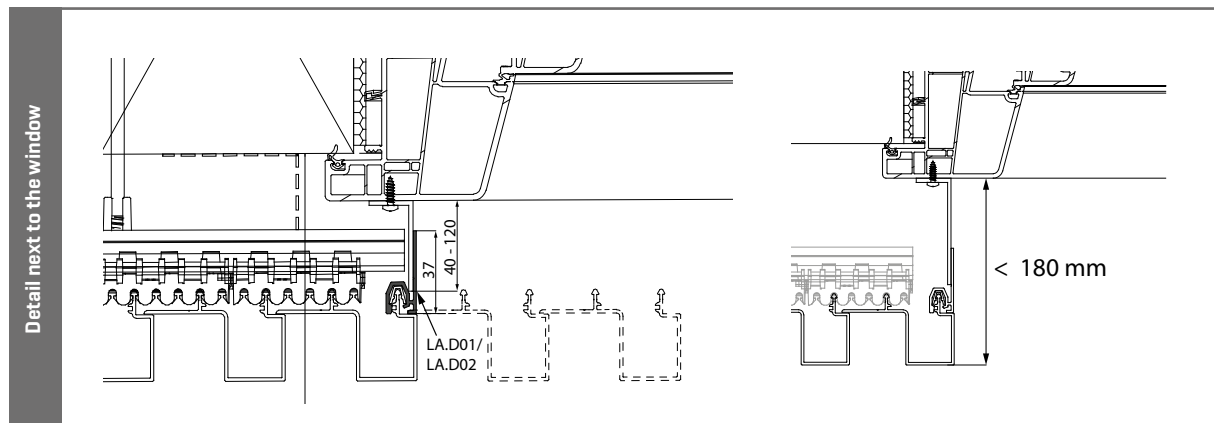
The Linarte day side profiles can be ordered together with the rest of the Linarte cladding. This saves you time and guarantees the same finish of cladding and day sides. The system is fixed without visible screws and is adjustable in depth without the need for sawing.

An L-profile is screwed or glued to the window, which is positioned behind the LA.D01, LA.D02, and LA.D03 day side profiles. Because the L-profiles are available in depths from 40 to 120 mm as standard, a total day side depth of up to 180 mm is supported and the various insulation thicknesses can be covered without the need for sawing.

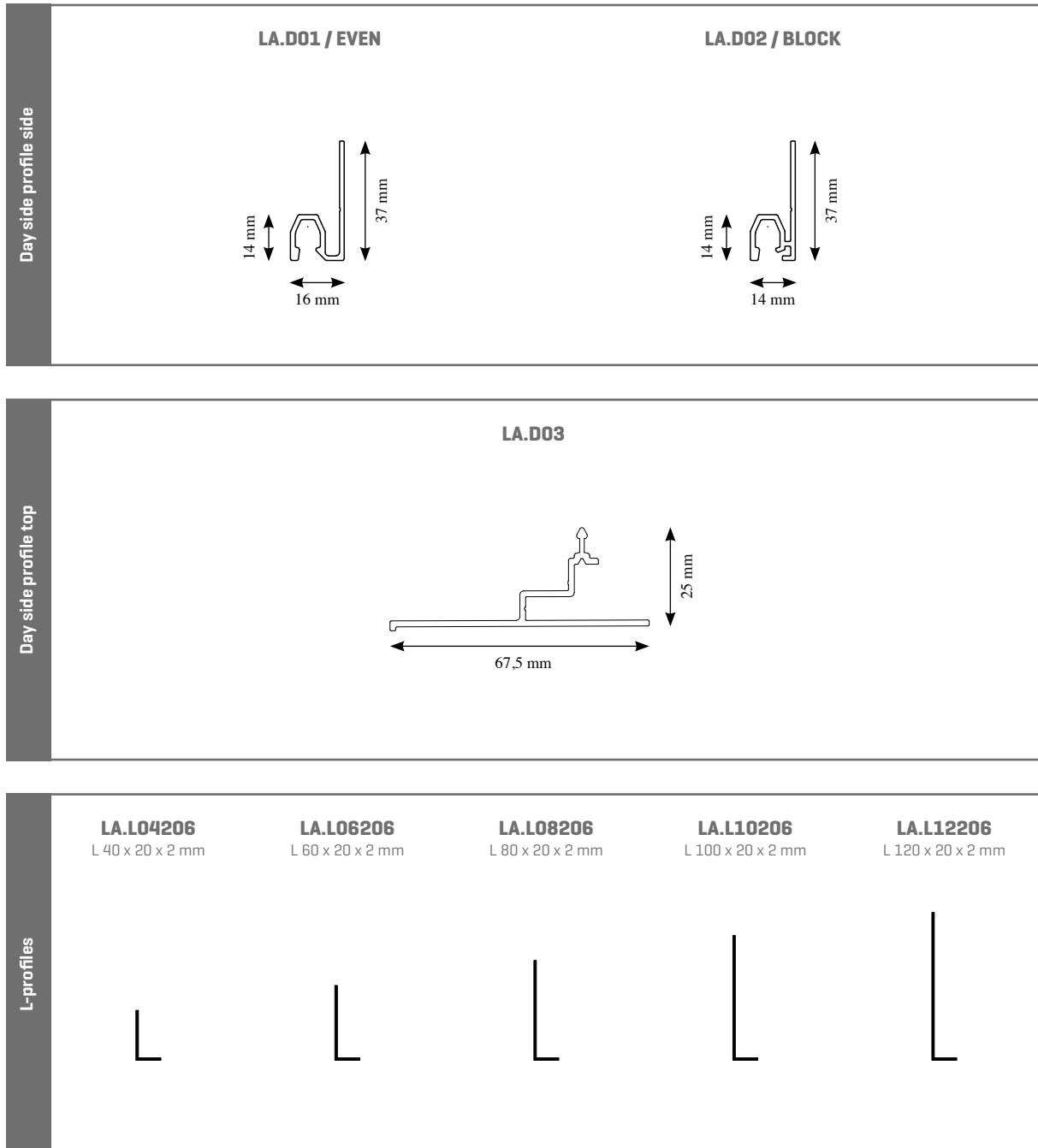
Day side edge profiles LA.D01 or LA.D02 next to the window are fastened to the Linarte BLOCK or EVEN profile with clips. The LA.D03 day side profile for above the window is also clipped into the LA.S02 support profile with clips, used every 500 mm.



TECHNICAL DRAWINGS



TECHNICAL DRAWINGS DAY SIDE PROFILES



LINARTE® SPECIFIC APPLICATIONS

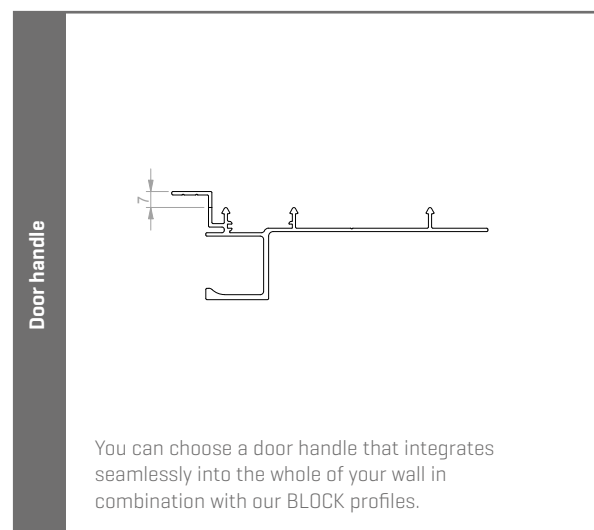
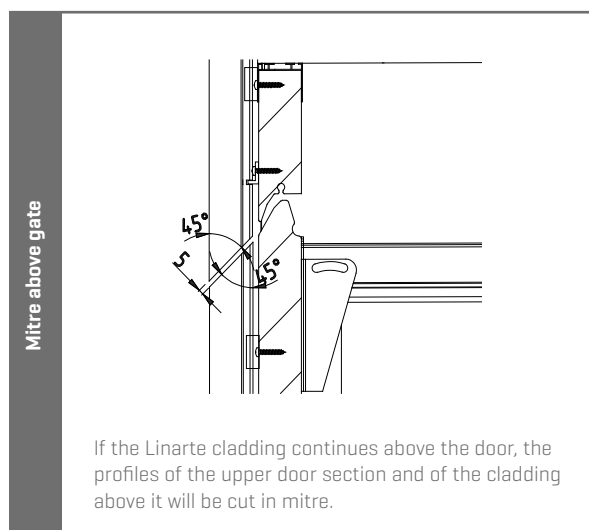
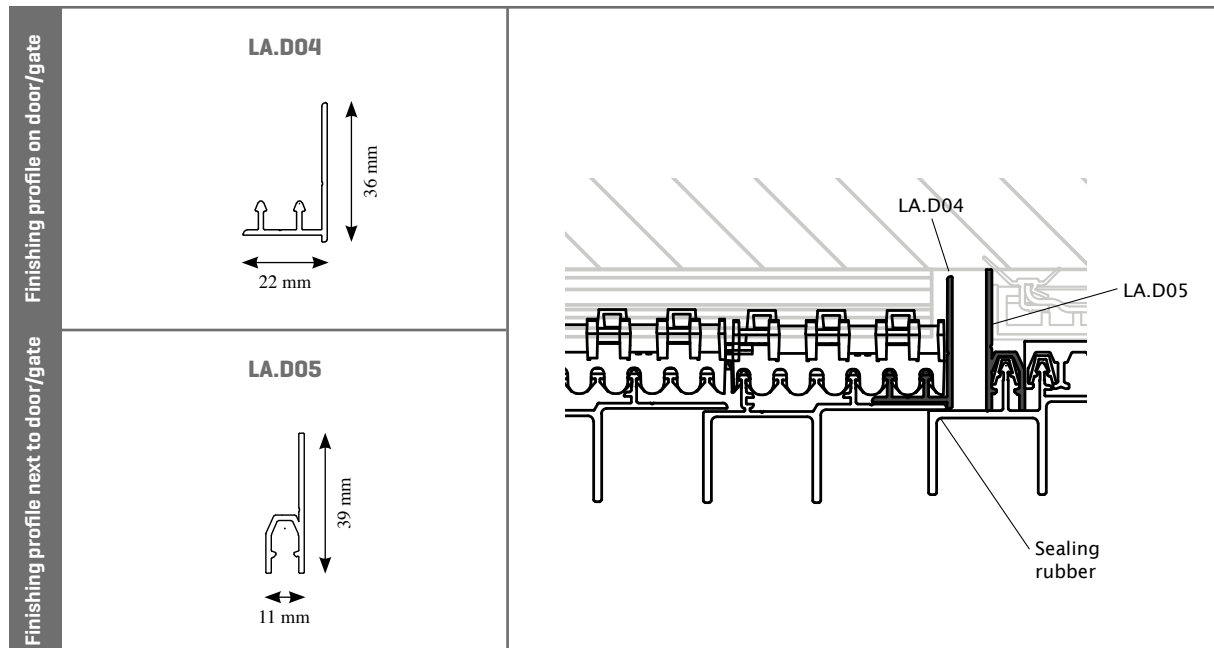
Gate and door cladding

Inwards opening doors, sectional doors, and tilting doors can be covered with Linarte and thus almost seamlessly integrated into the façade surface. The fixed section next to a door or gate is finished with a fitting profile to create more play between the fixed and the opening door or gate section. In addition, a seal can be provided on the fitting profile.

The door or gate sections are finished to the side with the door finishing profiles LA.D04 (moving section) and LA.D05 (fixed section). LA.D04 is attached to the plastic clips and LA.D05 is attached to the fitting profile with clips (every 500 mm).



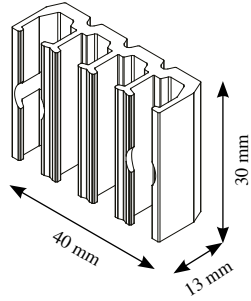
TECHNICAL DRAWINGS



TECHNICAL DRAWING ALUMINIUM CLIPS

Lowered aluminium clips

60001170

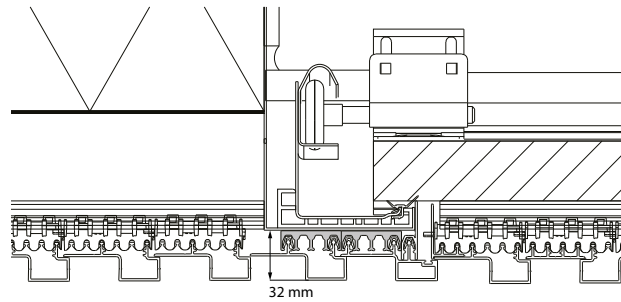


Lowered aluminium clips can be used to reduce the system depth. These should be individually aligned and screwed directly to the substrate. The Linarte profiles are clipped in here by using two clips per aluminium clip.

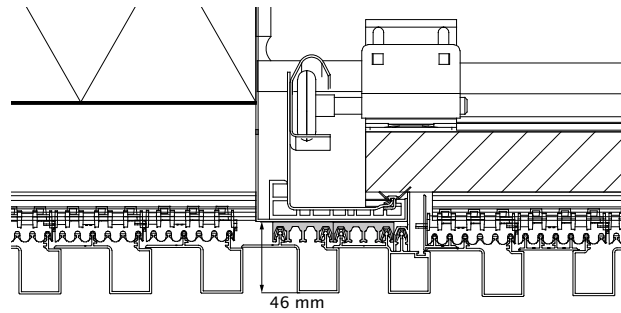
SYSTEM DEPTH WITH LOWERED ALUMINIUM CLIPS

This is the total package thickness of the system [lowered aluminium clips + profile]

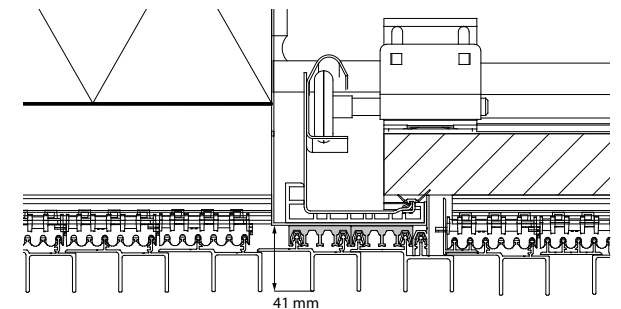
BLOCK 16



BLOCK 30



EVEN



LINARTE® SPECIFIC APPLICATIONS

Mix

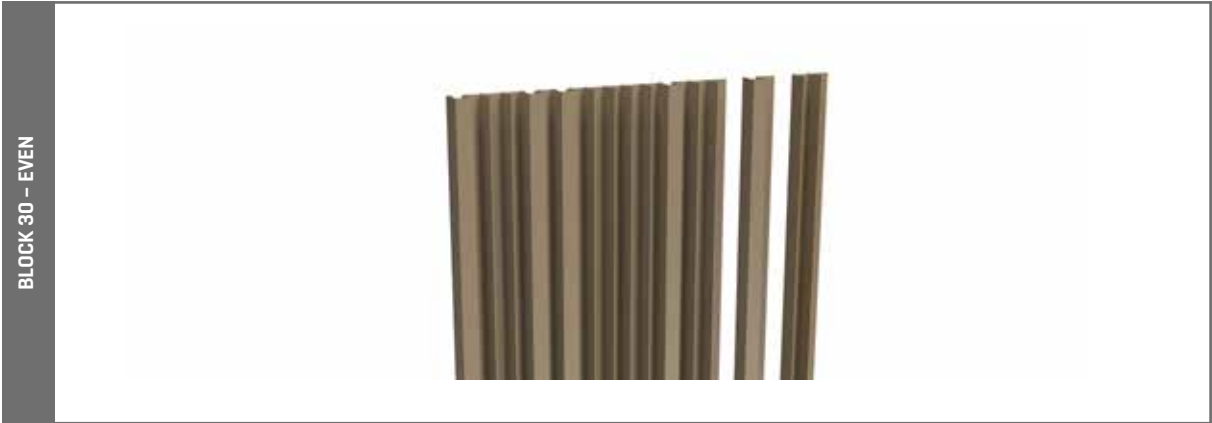
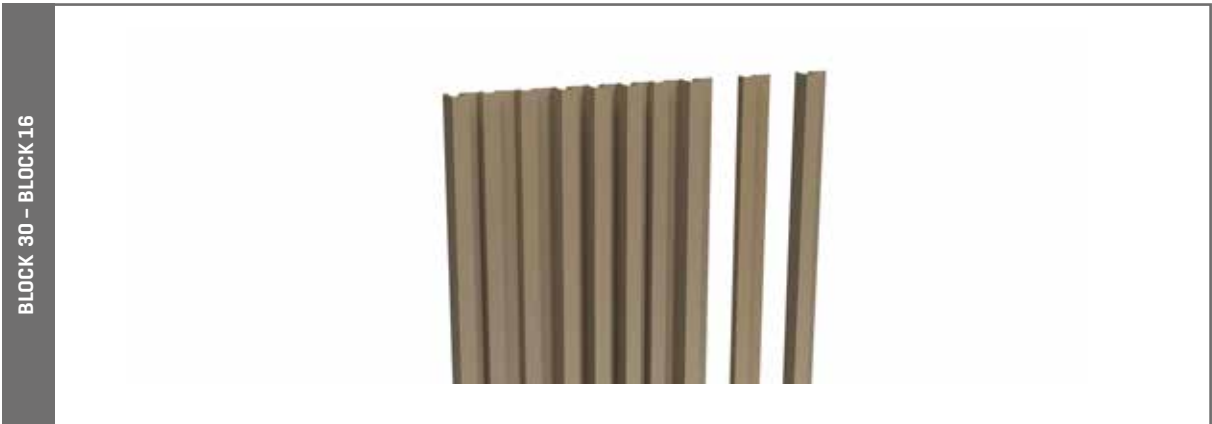
The Linarte façade cladding is made up of individual profiles, which means that the different types can be assembled randomly. This lets you create your own design, with a playful, random effect or a repetitive motif. You can still choose to interchange profiles with each other even during assembly.

BLOCK 16L was added to the range of basic profiles to expand the possibilities. There are no corner, changing, or fitting profiles, so they can only be used in the mix.

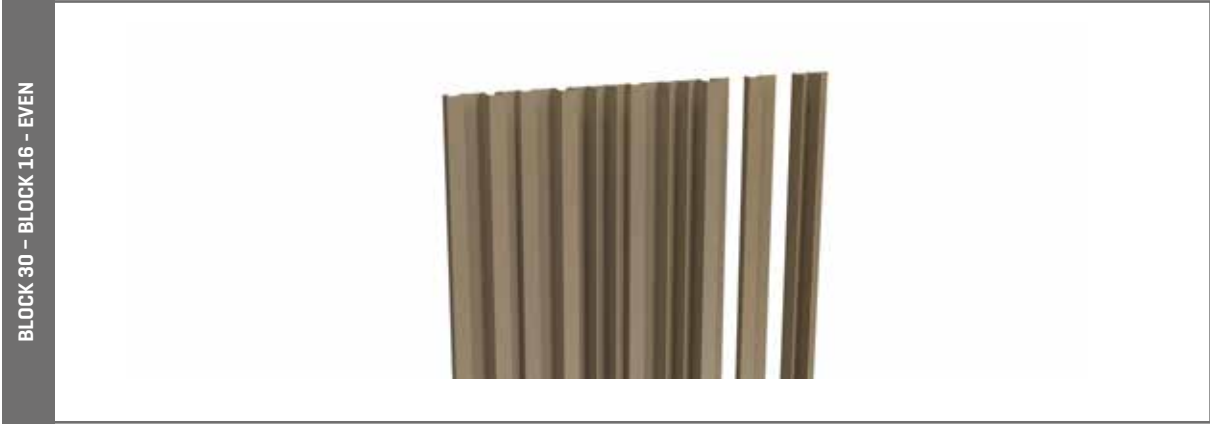
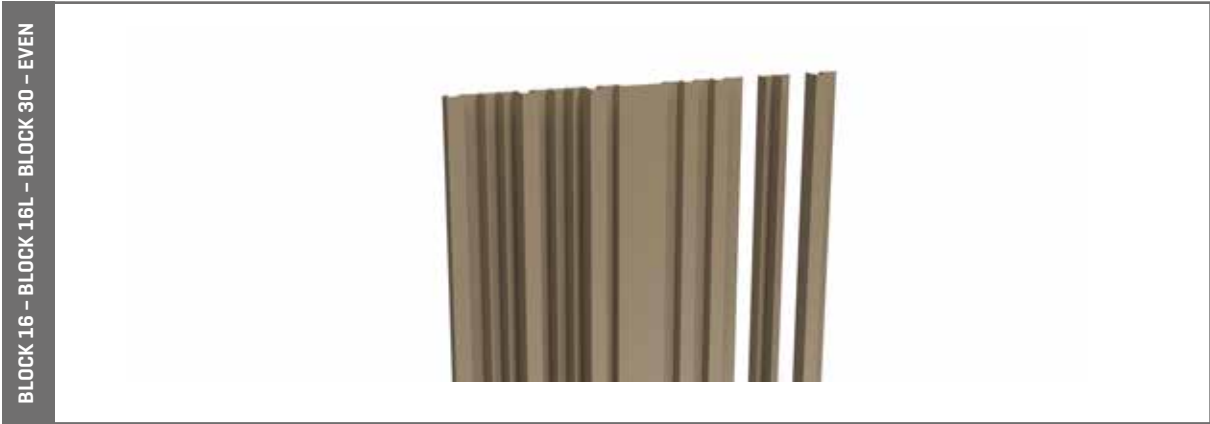
For inspiration, you will find some possible examples of 'random' configurations with the different Linarte profiles below... but, of course, there are 1001 other possible combinations.



EXAMPLES

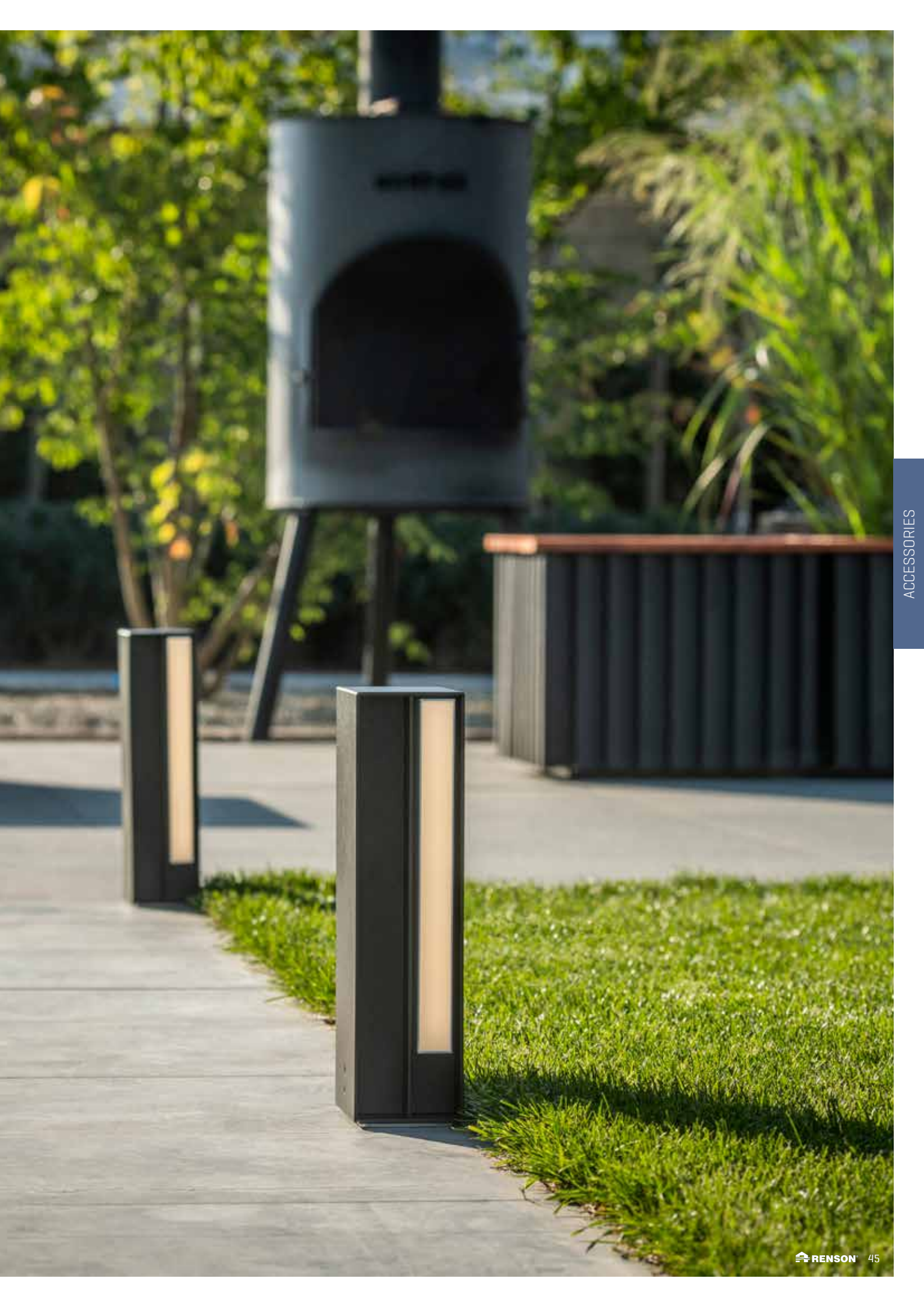


EXAMPLES



ACCESSORIES



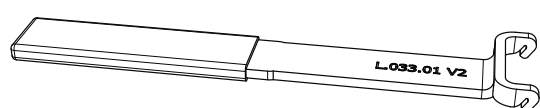


LINIUS® ACCESSORIES

Horizontal

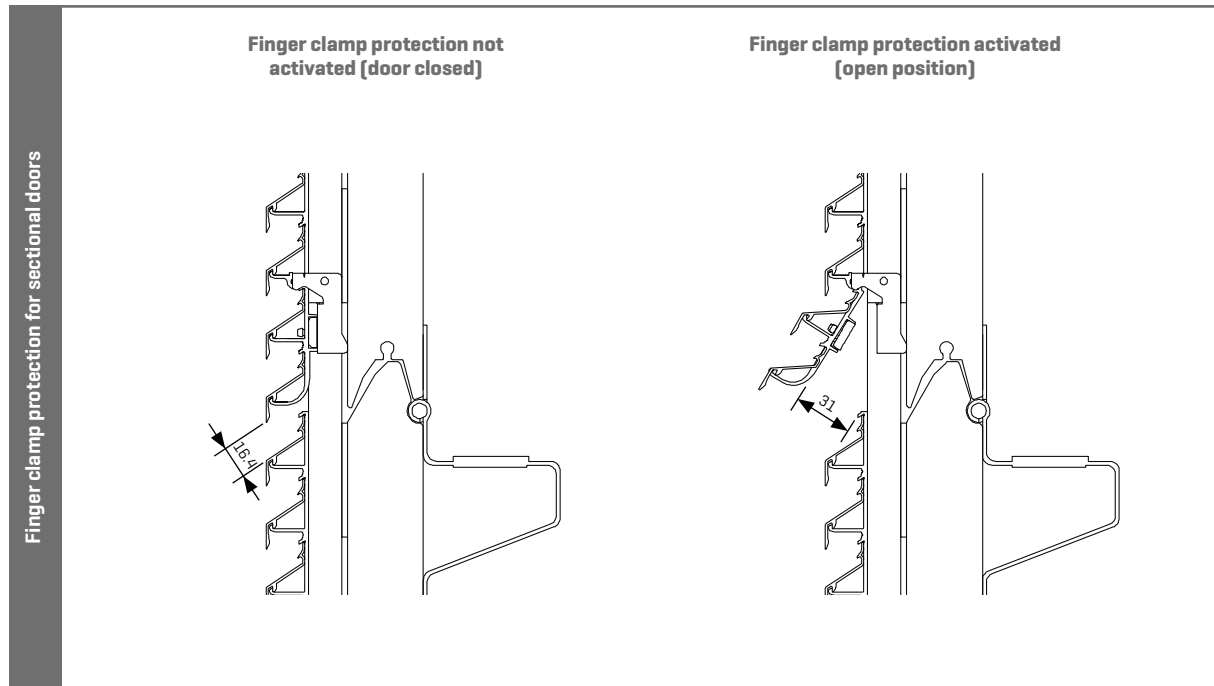
LOCKING TOOLS

Under the influence of heat differences, the profiles can expand or shrink (aluminium has an expansion coefficient of 1 mm/metre). To ensure that seams or edges of the profiles continue to run nicely one above the other and do not shift over time, we recommend locking the profiles. Special locking tools have been developed for this purpose. With the locking tool, you fold each blade at the height of one clip. This way, the blade can still expand left and right, but then returns to its original position.

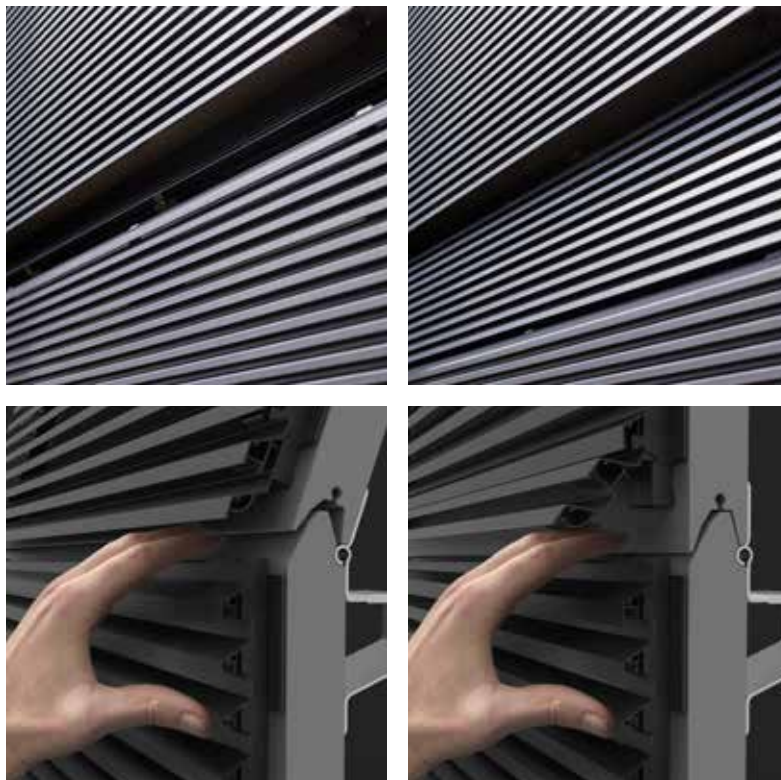


FINGER CLAMP PROTECTION FOR SECTIONAL DOORS

To ensure the garage door closes safely, Renson® has developed a mechanical finger clamp protection that complies with harmonised standard NBN EN 13241-1. This patented system prevents you from pinching your fingers between two horizontal panels when opening or closing a sectional door. Even vulnerable children's hands are safe. When a finger accidentally lands between two horizontal sections of the door, the aluminium profile rotates away. Afterwards, the profile returns automatically to its original position.



Finger clamp protection for sectional doors

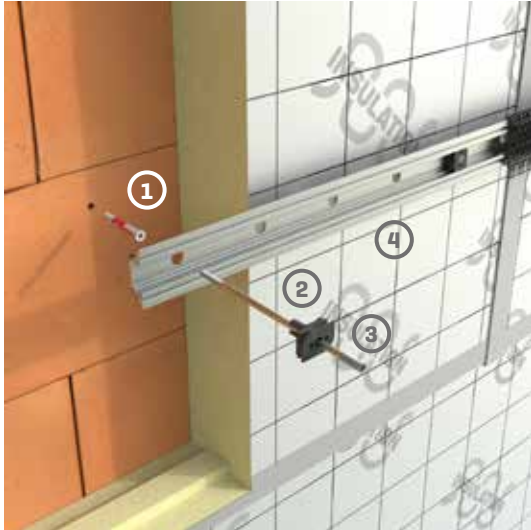


LINARTE® ACCESSORIES

Direct fixation

The mullions can be anchored directly into the outer wall by means of plastic anchor plugs that connect the distance screws to the mullions. This saves costs and installation time compared to traditional beam work. Moreover, this method is much more durable with a minimum number of thermal bridges.



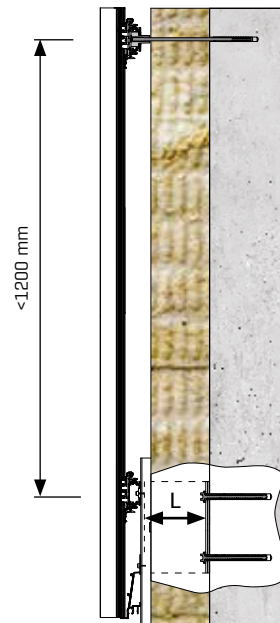


- ① Fischer Duopower 8x65 mm
- ② ASL Ø 6 mm, length depending on insulation thickness
- ③ Plastic anchor plug (optional fire version)
- ④ Punched mullions



To fix the support profile and the lower support structure, an L-profile is used which is attached to a profile support. The length of the profile support is chosen according to the insulation thickness.

- ① Profile support with clamping spring, length based on insulation thickness
- ② Thermal break, self-adhesive
- ③ Construction plug Fischer SXRL 10 x 80 FUS
- ④ L-profile



LINARTE® ACCESSORIES

Direct fixation



TECHNICAL DRAWINGS

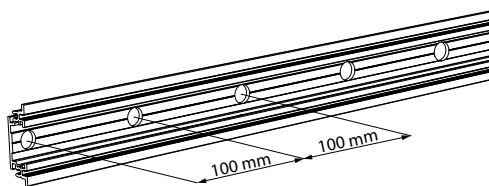
Distance screw ASL $\varnothing 6 \times L$ with wall plug and anchor plug

S0060150 through S0060325



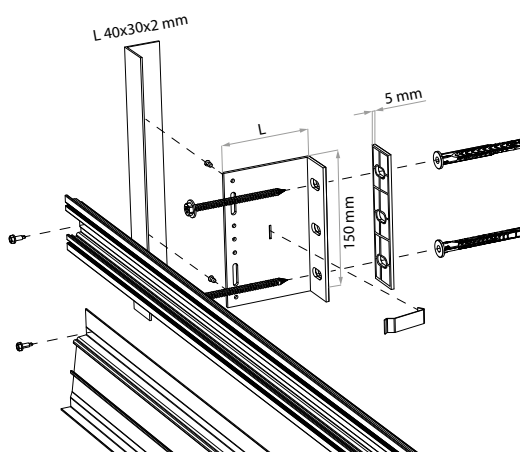
L=150 mm
L=175 mm
L=200 mm
L=225 mm
L=250 mm
L=275 mm
L=300 mm
L=325 mm

Pre-punched mullions



Profile support 150 x L x 3 mm with thermostop, L-profile, and construction plugs

S1503060 through S1503260



L=60 mm
L=80 mm
L=100 mm
L=120 mm
L=140 mm
L=160 mm
L=180 mm
L=200 mm
L=220 mm
L=240 mm
L=260 mm

LINARTE® ACCESSORIES

Direct fixation

TECHNICAL DETAILS

The table below gives a guideline for the maximum horizontal spacing of the fixing screws for each type of surface. The lengths of the distance screws and profile supports depend on the chosen insulation thickness. These values are valid at a maximum wind load of 800 Pa. The full liability for the use of the values in these tables is borne by the user.

Parameter thickness [cavity+isolation]		Length profile support	Art no.
From	To		
70	89	60	S1503060
90	109	80	S1503080
110	129	100	S1503100
130	149	120	S1503120
150	169	140	S1503140
170	189	160	S1503160
190	209	180	S1503180
210	229	200	S1503200
230	249	220	S1503220
250	260	240	S1503240

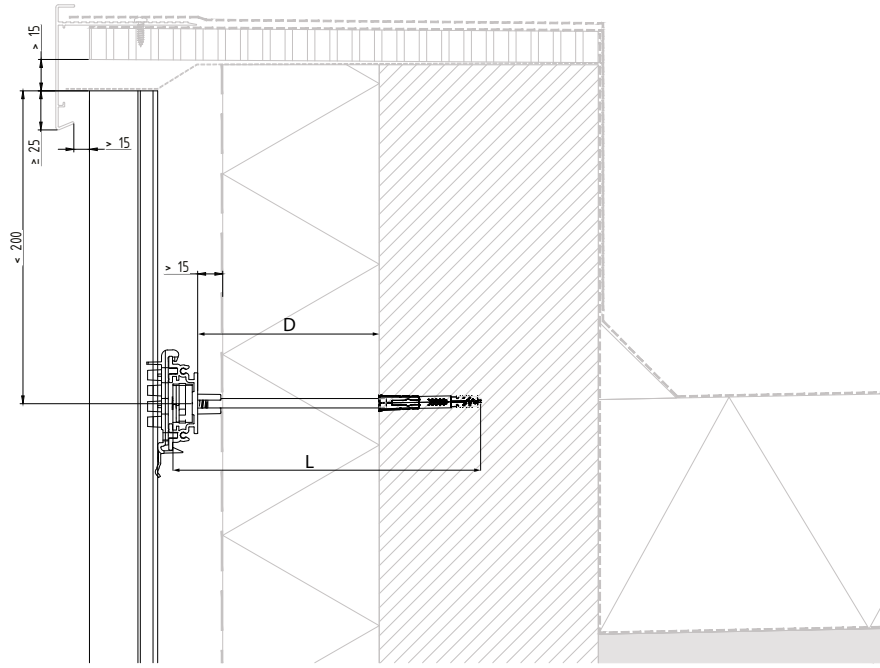
Parameter thickness [cavity+isolation]		Length Fischer screw ASL Ø6mm	Art no.	Art no. - fire version
From	To			
70	87	150	S0060150	S0061150
88	112	175	S0060175	S0061175
113	137	200	S0060200	S0061200
138	162	225	S0060225	S0061225
163	187	250	S0060250	S0061250
188	212	275	S0060275	S0061275
213	237	300	S0060300	S0061300
238	260	325	S0060325	S0061325

Fischer Duopower 8x65 mm + ASL Ø 6 mm screw	Type of surface					
	Concrete	Full brick	Sand-lime brick	Aerated concrete	Vertical perforated high-speed building brick	Perforated sand-lime brick
Type	≥ C20/25	≥ MZ12	≥ KS12	≥ AAC4	≥ Hz 12	≥ KSL 12
Maximum spacing between ASL screws [mm] at spacing distance horizontal mullions ≤ 1200 mm				600	400	
Maximum spacing between ASL screws [mm] at spacing distance horizontal mullions ≤ 1000 mm		800		700	500	800
Maximum spacing between ASL screws [mm] at spacing distance horizontal mullions ≤ 800 mm				800	600	

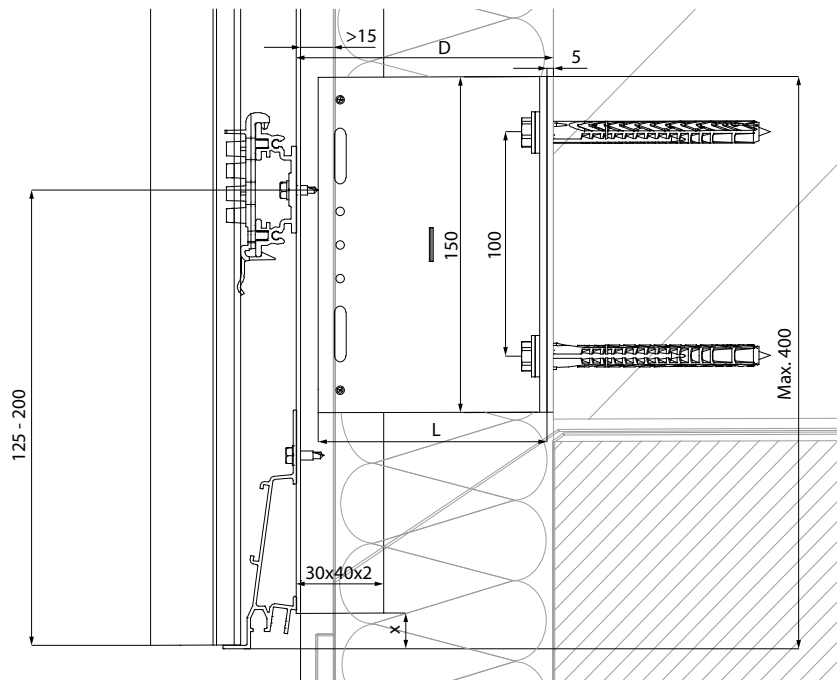
Profile support + 2x Fischer SXRL 10 x 80 FUS	Façade section height [m]	Length profile support [mm] L	Type of surface					
			Concrete	Full brick	Sand-lime brick	Aerated concrete	Vertical perforated high-speed building brick	Perforated sand-lime brick
Maximum distance between profile supports [mm]	0-3	80						
		100						
		120				600		700
		140						
		160		800			300	
		180				500		600
		200						
		220				400		500
	240							
	260							
	3-6	80						
		100		800	700	400		500
		120						
		140						
		160		800	600	600	-	400
		180						
200					300		300	
220								
240			500	500				
260								

TECHNICAL DRAWINGS

Distance screw



Profile support



LINARTE® ACCESSORIES

Optical finger clamp protection for sectional doors

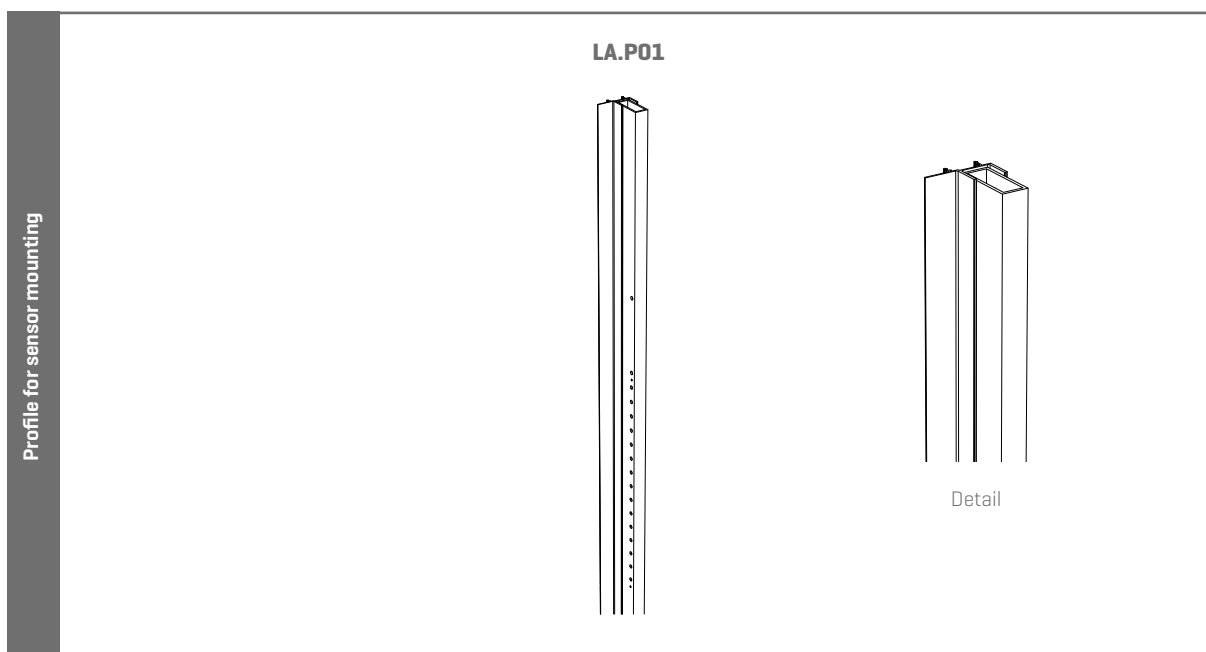


- Fixation profile for mounting an optical sensor type Cedes GridScan/Mini (sensor not included).
- This profile can be screwed to a BLOCK or EVEN profile.

TECHNICAL DETAILS

Dimensions	
W x L x D	60 x 20 x 2 mm
Materials	
6060 T66 3.3206 EN 573-3 EN 755-1/2 EN 755-7/9	

TECHNICAL DRAWING



LINARTE® ACCESSORIES

Wood or LED module inserts



No fill



Filled with wood



Filled with LED modules



Filled with wood and LED modules

LINARTE® ACCESSORIES

Wood inserts



- Give a unique look to your façade by adding wood inserts
- Thanks to the drilling jig, the inserts are always positioned in the middle.

TECHNICAL DETAILS

Dimensions

Available at standard lengths of 267, 455, 830, and 1205 mm

The top is chamfered so that the water can flow backwards

Materials

Thermo-ash

Fixations

In plastic, to be attached by the customer to the wood inserts. Calibres are available for this purpose

Available in 3 versions:

- Removable: G0000582

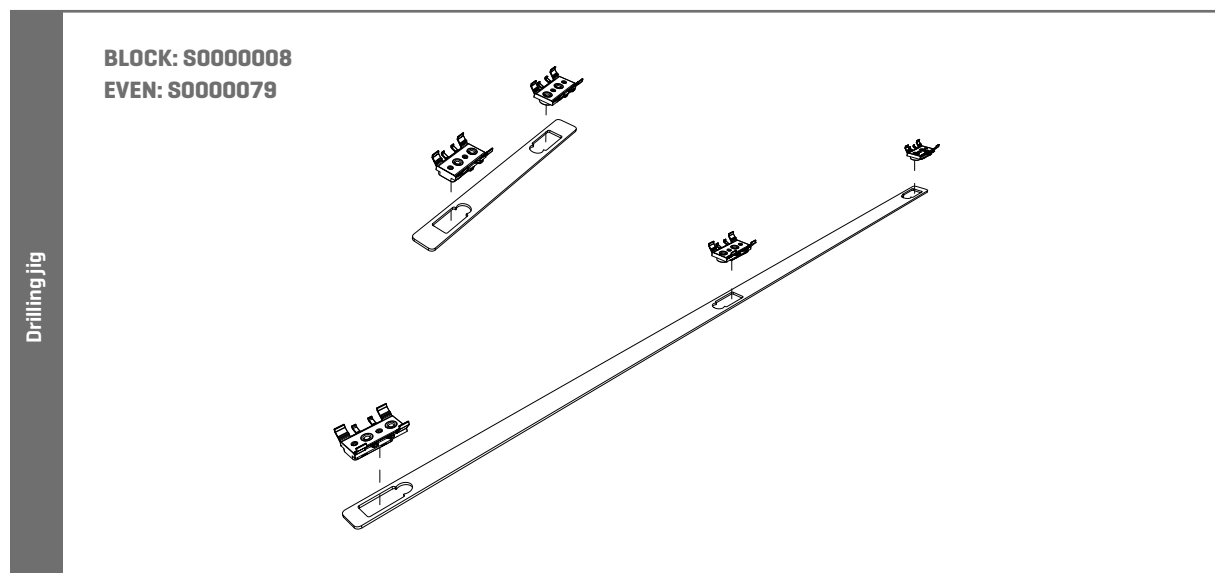


- With 2 fixation pins - non-removable: to fix wood fill smaller than 7 cm: G0002139



MOUNTING JIG FOR LED MODULES AND WOOD FILL

Drill holes for attaching the wood fill or LED modules must be created in the Linarte profiles by the customer. Renson has developed a drilling jig for this purpose.



LINARTE® ACCESSORIES

House numbers

- House numbers 0 to 9, indices A to D.
- Available in one font and size.
- Can only be used with Linarte EVEN profiles.



TECHNICAL DETAILS

Dimensions

Height	± 450 mm
--------	----------

Materials

Thermo-ash with plastic clips

Composition of set

- A set consists of
- Wooden inserts (thermo-ash)
 - Clips and screws to affix the slats to the Linarte EVEN profiles
 - Mounting sticker: for aligning and drilling the fixation holes in the Linarte EVEN profiles

S4610000	Set thermo-ash house no. 0
S4610001	Set thermo-ash house no. 1
S4610002	Set thermo-ash house no. 2
S4610003	Set thermo-ash house no. 3
S4610004	Set thermo-ash house no. 4
S4610005	Set thermo-ash house no. 5
S4610006	Set thermo-ash house no. 6
S4610007	Set thermo-ash house no. 7
S4610008	Set thermo-ash house no. 8
S4610009	Set thermo-ash house no. 9
S4610010	Set thermo-ash house no. A
S4610011	Set thermo-ash house no. B
S4610012	Set thermo-ash house no. C
S4610013	Set thermo-ash house no. D

LINARTE® ACCESSORIES

LED modules



- Personalise your façade by adding LED modules
- Available in warm white light
- Can be dimmed
- Qualitative LEDs with IP67

TECHNICAL DETAILS

Dimensions

Available at standard lengths of 267, 455, 830, and 1205 mm

Materials

Extruded aluminium profile, white powder coated. LED light encapsulated with opal PU resin.

Fixations

Jigs are available for this, see p. 56

Specifications

The LEDs are supplied separately.

Each LED comes with 2 end caps in the same colour as the profiles [incl. screws]. The aluminium profile of the LED is always coated in white.

Each LED module includes 200 mm cable 2 x 0,34 mm² on both sides, one side with Variocon male, other side female [mini] IP67 waterproof connector.

Max. 5 m LED module connected in a series; if more than that, an additional cable has to be pulled from the power supply until the beginning of a new string of max. 5 m [this is only for the LED modules, cables between the modules [interconnection] not included].

Certifications: CE [Europe], cETL [US & Canada], declaration of conformity

Features

Colour temperature [K]	Warm white +/- 3500 K
Number of LEDs	120 LEDs per meter
LED power	6 W per meter
Power per module	
- Module 267:	1,5 W
- Module 455:	2,63 W
- Module 830:	4,88 W
- Module 1205:	7,13 W
Voltage	24 V DC
Luminous flux	370 lumen per meter
Service life	40,000 hours
Can be dimmed	✓
Ta. max	40°C [ambient temperature]
Tc. max	70°C [operating temperature]
Ts. max	85°C [storage temperature]

Warranty

Product warranty	2 years
IP class LEDs	IP 67

Operating methods

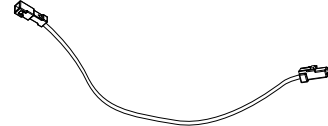
RTS	✓
IO	✓

LED MODULES ACCESSORIES

Connection cable of 0,34 mm² between first LED module (one side female connector, other side nothing): G0000811 (length 2 m)



Extension cables of 0.34 mm² are available for the interconnection between two LED modules (with male connector on one side and female connector on the other side): G0000810 (length 2 m)



At the end of the LED string, the last connector that is no longer connected must be protected with a protective cap IP67: G0000829



Transformers

Power supply XLG-150-24 6,3 A; 150 W; IP67

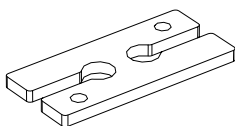
Control is always as follows:

- The LED modules work on 24 V DC, for which a transformer is needed. How the signal is controlled or interrupted (switch, dimmer, home automation) can be freely chosen by the end user.
- A switch can be placed in between to be connected in the traditional way as one does with other lighting points.
- If you want to dim the LEDs, replace the switch with a dimmer, to be connected between the 24 V DC of the transformer and the first LED module. Renson® offers a set with Somfy dimmer, but you can also choose another brand.

Set S0000831 includes the following parts:

- Quickon connector G6020768 (waterproof connection of the power supply)
- Power supply 150W G60201077
- io dimmer S6020630
- Splitter G6000270
- Converter cable G6000276
- Extension cable 2 m G0000810
- Dummy connector G0000829

Multiple LED modules can be connected to each other using a coupler.



LINARTE® ACCESSORIES

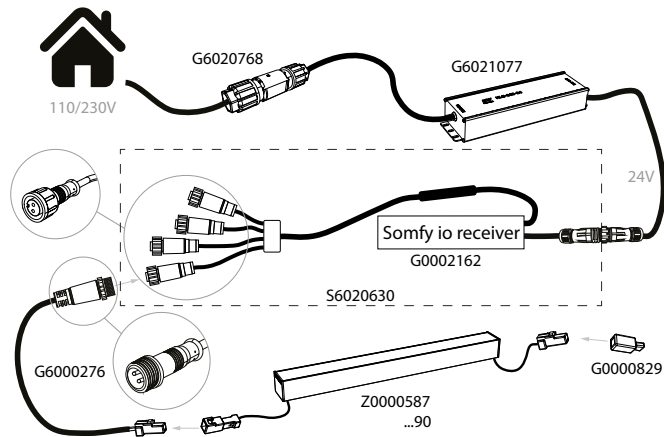
LED modules



LED MODULES WIRING DIAGRAMME

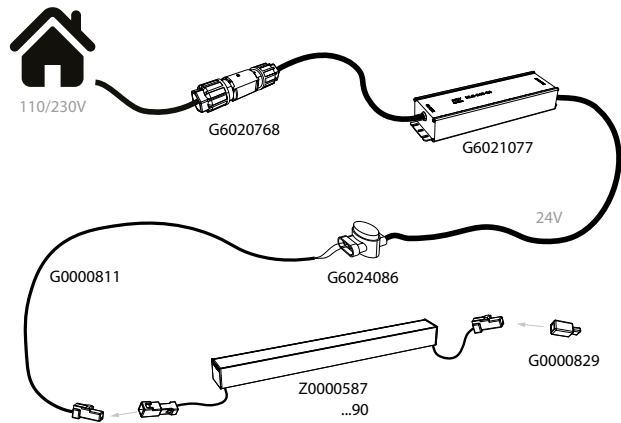
S00000831

Control of LED modules (dimmable)



S00000832

Control of LED modules (not dimmable)



LINARTE® ACCESSORIES

Indirect lighting



- Accent lighting, at the bottom of the façade
- Warm white light
- Cannot be dimmed
- Qualitative LEDs with IP66

TECHNICAL DETAILS

Dimensions

6,5x11mm, available in lengths up to 6 m, customizable up to 50 mm

Fixations

The LED strip is mounted in the support profile.

Specifications

The LED strip is supplied separately and is equipped with a connection cable of 0.75 mm², length 1 m with JST connector type Q2T-WPJV-1-SM.

Certifications: CE [Europe], cETL [US & Canada], declaration of conformity

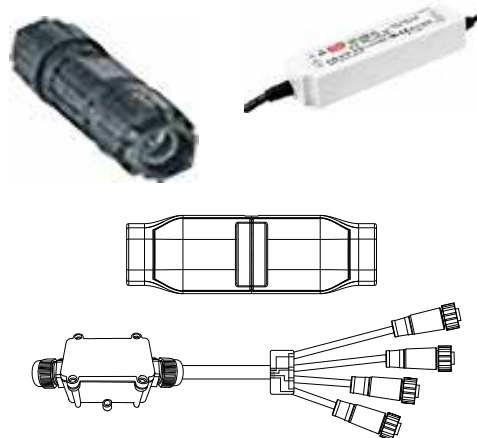
Features

Colour temperature [K]	Warm white: 2700-3000 K
Number of LEDs	120 LEDs per meter
LED power	7.2 W per meter
System power	9.6 W per meter
Luminous flux	550 - 680 lumen per meter
Voltage	24 V DC
Service life	50,000 hours
Can be dimmed	-
Warranty	
Product warranty	2 years
IP class LEDs	IP 66
Operating methods	
RTS	✓
ID	-

INDIRECT LED ACCESSORIES

Set with power supply and waterproof connection connectors, consists of:

- Quickon connector G6020768
- Power supply XLG-150-24A 6,3 A G6021077
- Connector 4-core G6000270



S0000833



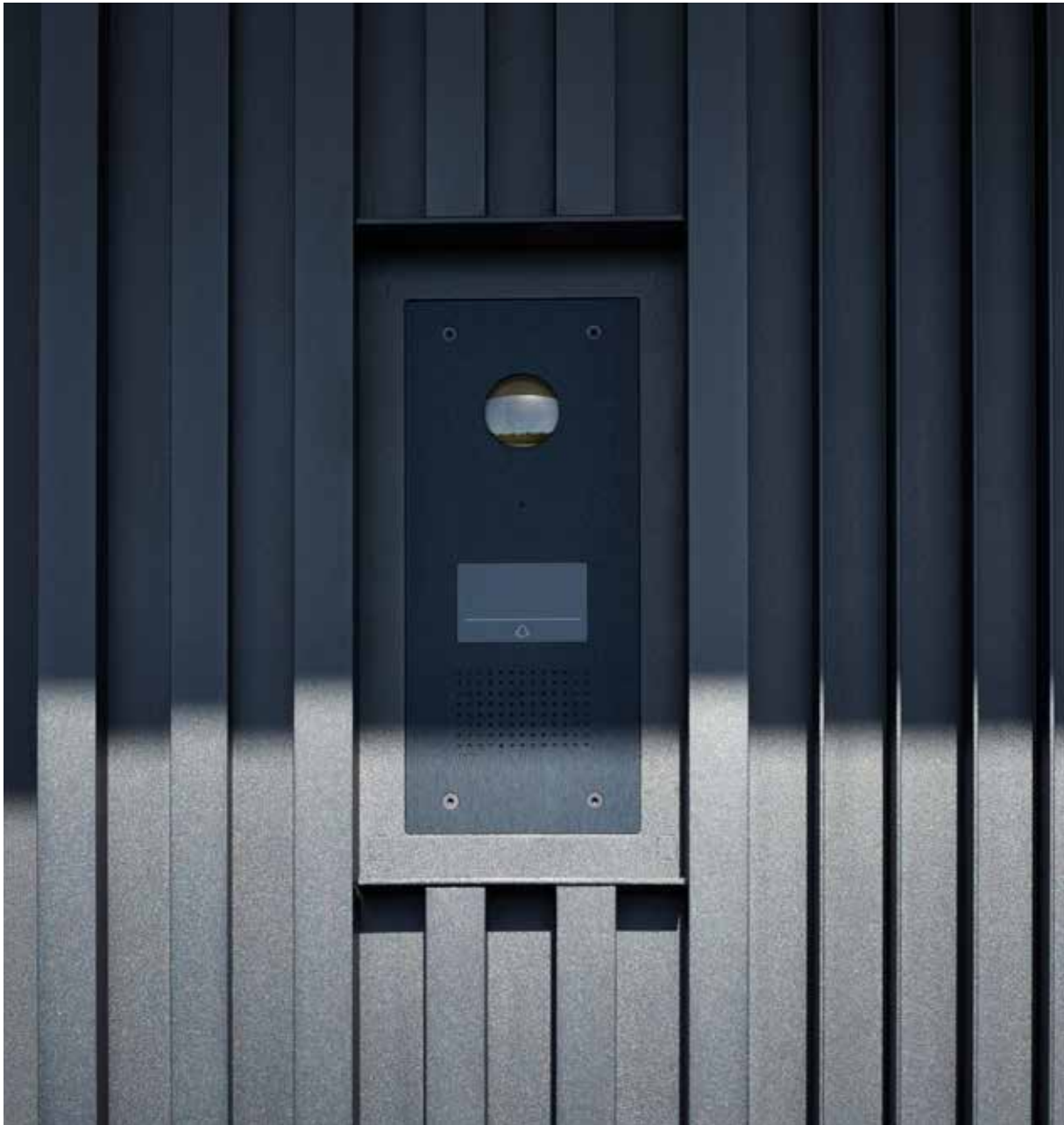
LINARTE® ACCESSORIES

Integration techniques

Standard modules have been developed for the integration of doorbell, intercom, socket, or water tap. These consist of a housing with a flat plate on which the intercom or socket can be mounted.

For our partner Niko, we have developed modules that are suitable for the video outdoor station 550-2200x and for the Hydro socket 700-36600, 701-36600, and 761-36600 with flush-mounted frame 700-73000, 701-73000, and 761-73000.

In addition, we have a number of standard models with a blind plate in stock, which are suitable for intercom types of other brands. As the back of the mechanics is not incorporated into a wall, they must be protected against moisture.



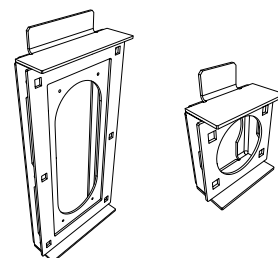
TECHNICAL DETAILS

Dimensions

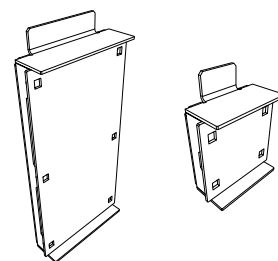
The width and depth of the modules varies according to the applied basic profile EVEN, BLOCK 16, or BLOCK 30. The dimensions can be found in the table below.

Materials

Aluminium 6061, powder coated in the colour of the façade cladding



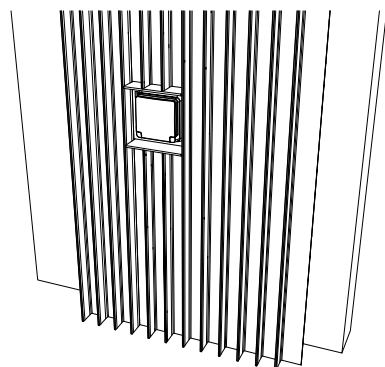
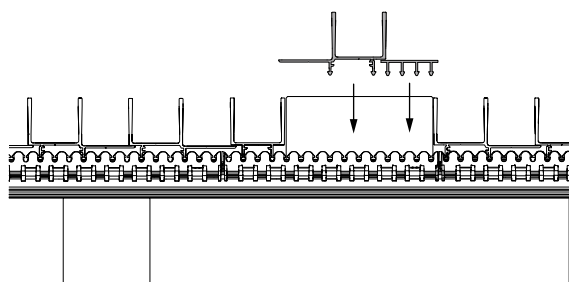
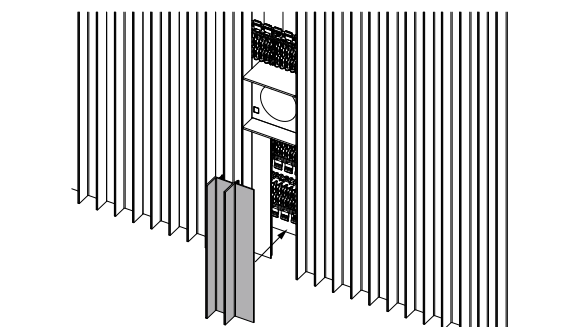
Module Niko



Module with blind plate

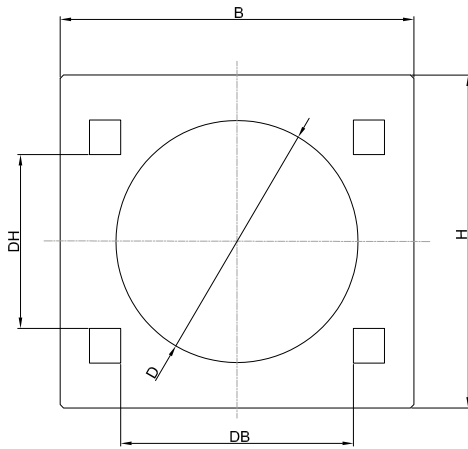
ASSEMBLY PRINCIPLE

Assembly principle

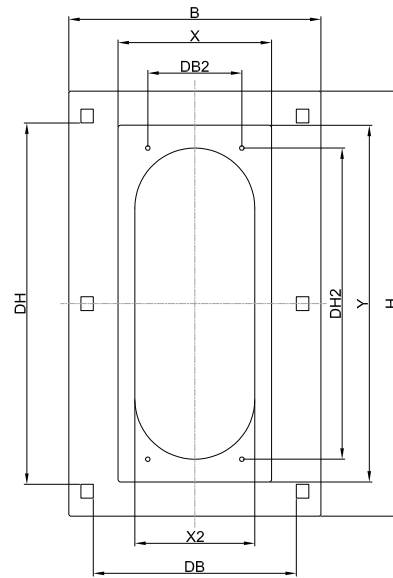


TECHNICAL DRAWINGS MODULES

Niko

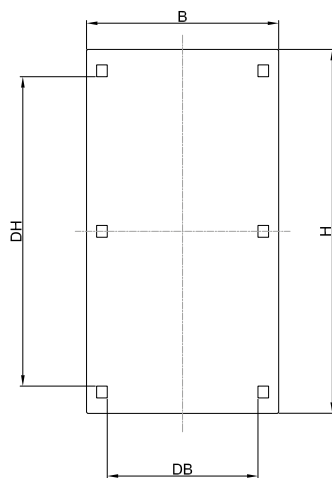


Type	B	H	DB	DH	D
LA.B16.SN BLOCK 16	102	96	67	50	70
LA.B30.SN BLOCK 30					
LA.E25.SN EVEN					



Type	B	H	X	Y	X2	DB	DH	DB2	DH2
LA.B16.PN BLOCK 16	162	307	111	258	86	126	261	68	225
LA.B30.PN BLOCK 30									
LA.E25.PN EVEN									

Blind



		Type	B	H	DB	DH
Intercom	LA.B16.PB BLOCK 16	162	307	127	261	
	LA.B30.PB BLOCK 30					
	LA.E25.SN EVEN					
Socket	LA.B16.SB BLOCK 16	102	96	67	50	
	LA.B30.SB BLOCK 30					
	LA.E25.SN EVEN					

Housings can also be made to measure.



LINARTE® OUTDOOR CONCEPT GARDEN ELEMENTS

To integrate the unique look and feel of your cladding throughout your garden, Renson® has created Linarte garden elements. For more details, we refer to the B2B garden elements.

LINARTE MODULO

Seat and planter in Linarte EVEN or BLOCK 30.



LINARTE OUTDOOR LIGHT

Lighting posts in EVEN look, with or without socket.



LINARTE ICON

With the Linarte Icon, you can add partitions or privacy walls in your garden and create a unique and uniform Total Outdoor Concept.



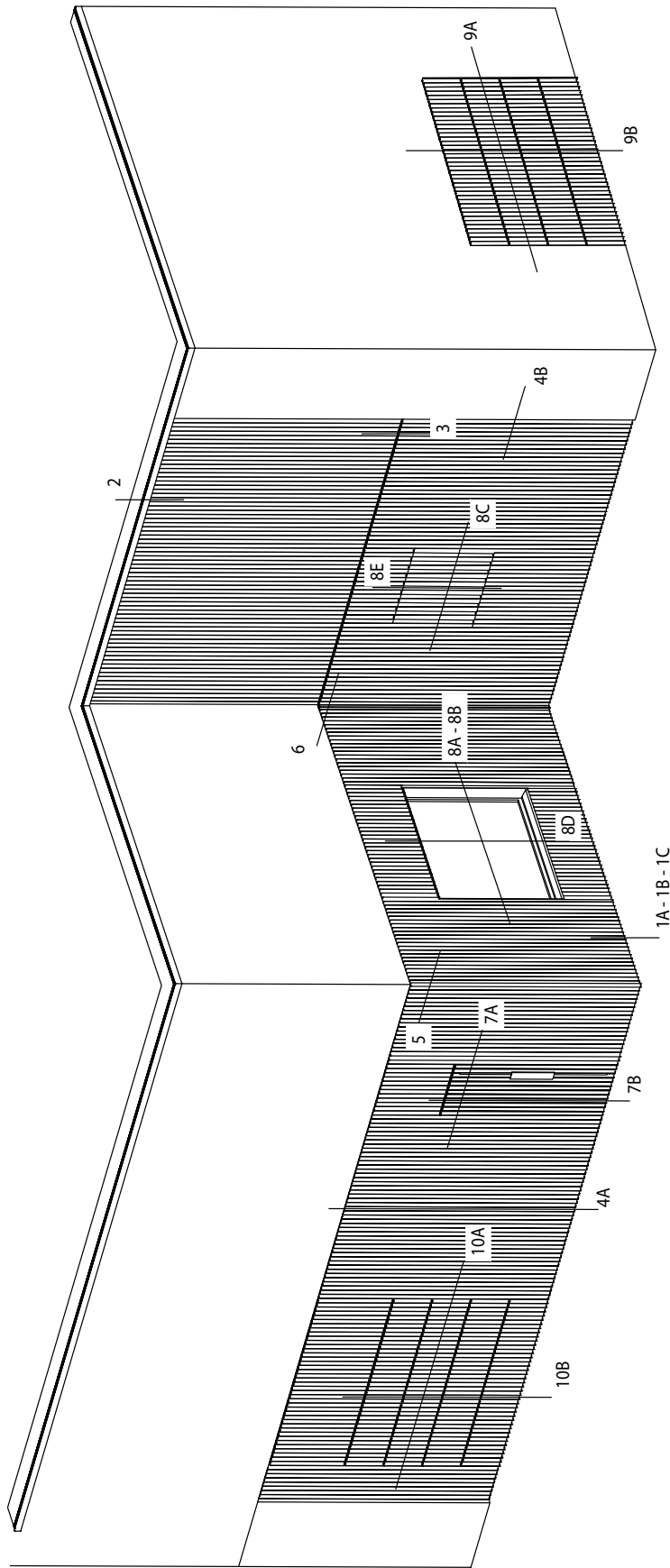
ARCHITECTURAL DRAWINGS





LINARTE® ARCHITECTURAL DRAWINGS





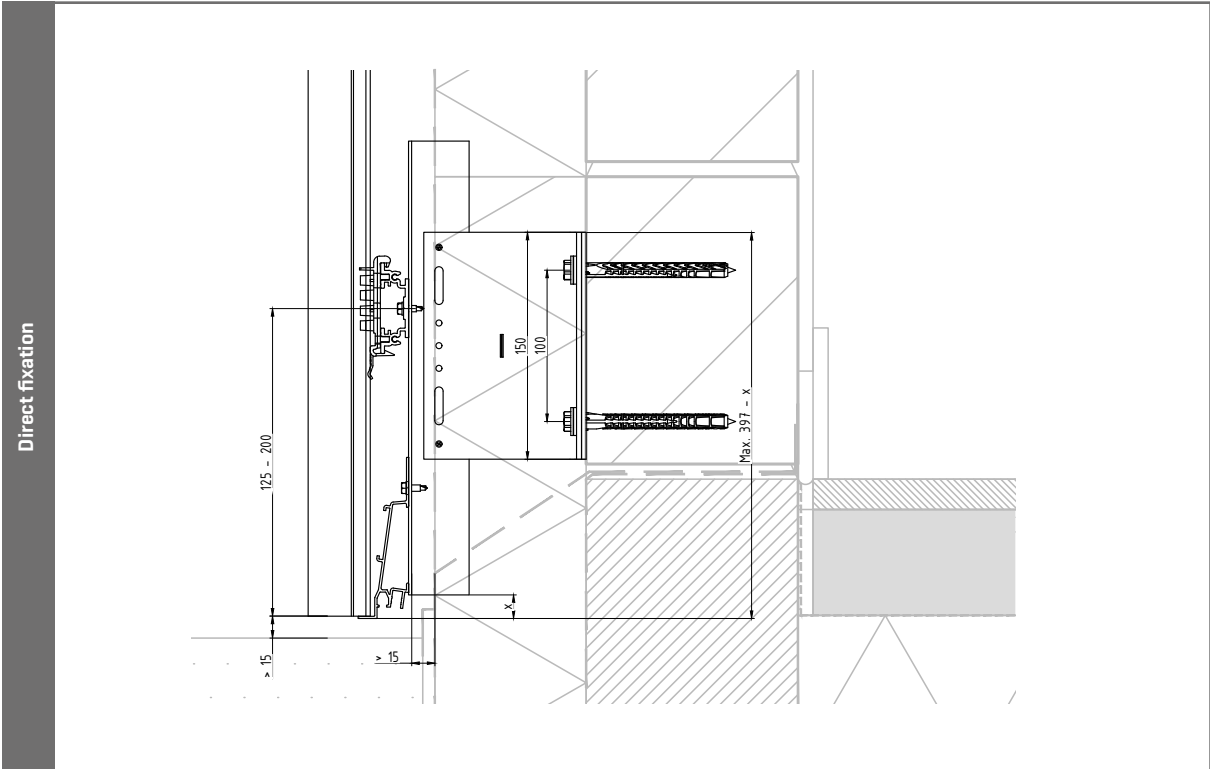
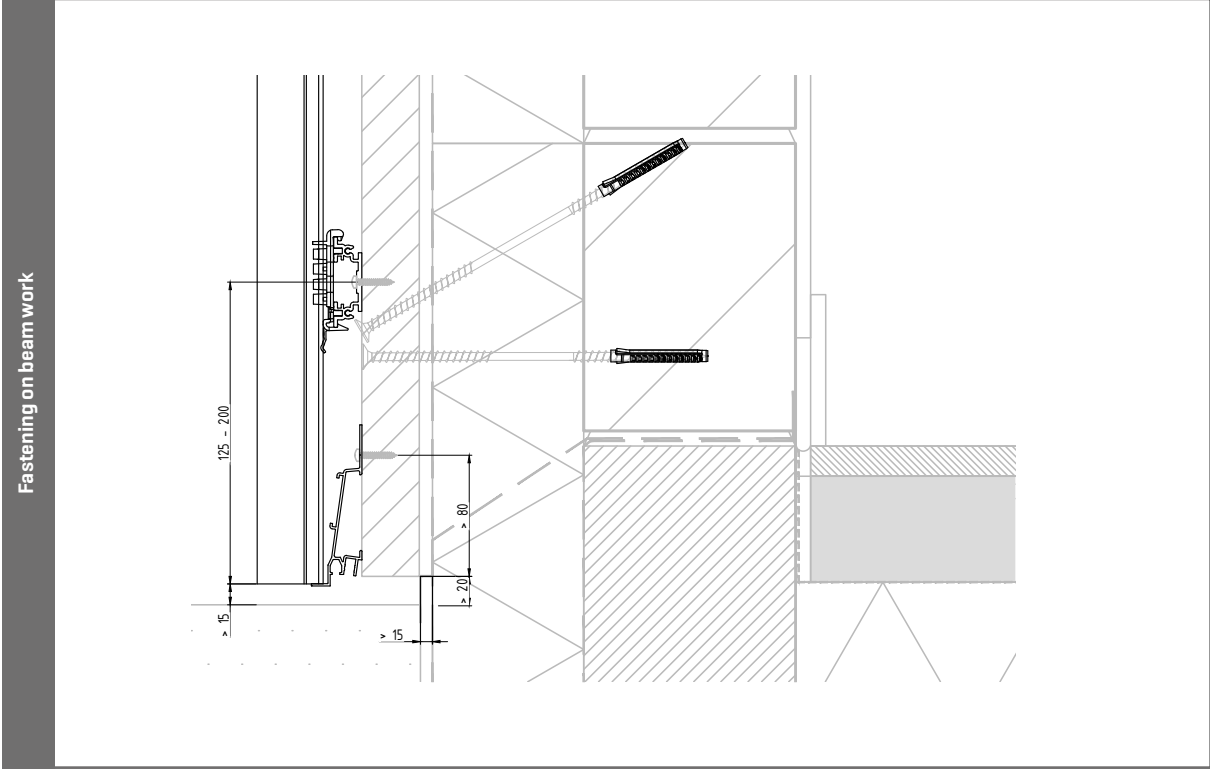
- 1.ABC screws. Underside cladding [with plinth/with threshold] - side view
- 2. Roof edge finishing - side view
- 3. Horizontal joint - side view
- 4A. Wall connection - side view
- 4B. Wall connection - top view
- 5. Exterior corners - top view
- 6. Inside corners - top view

- 7A. Door cladding - top view
- 7B. Door cladding - side view
- 8A. Side window finish - top view
- 8B. Window in façade surface - top view
- 8C. Window finish semi-open cladding - top view
- 8D. Window finish top - side view
- 8E. Window finish semi-open cladding - side view

- 9A. Sectional garage door between other cladding - top view
- 9B. Sectional garage door between other cladding - side view
- 10A. Sectional garage door continuous façade cladding - top view
- 10B. Sectional garage door - side view

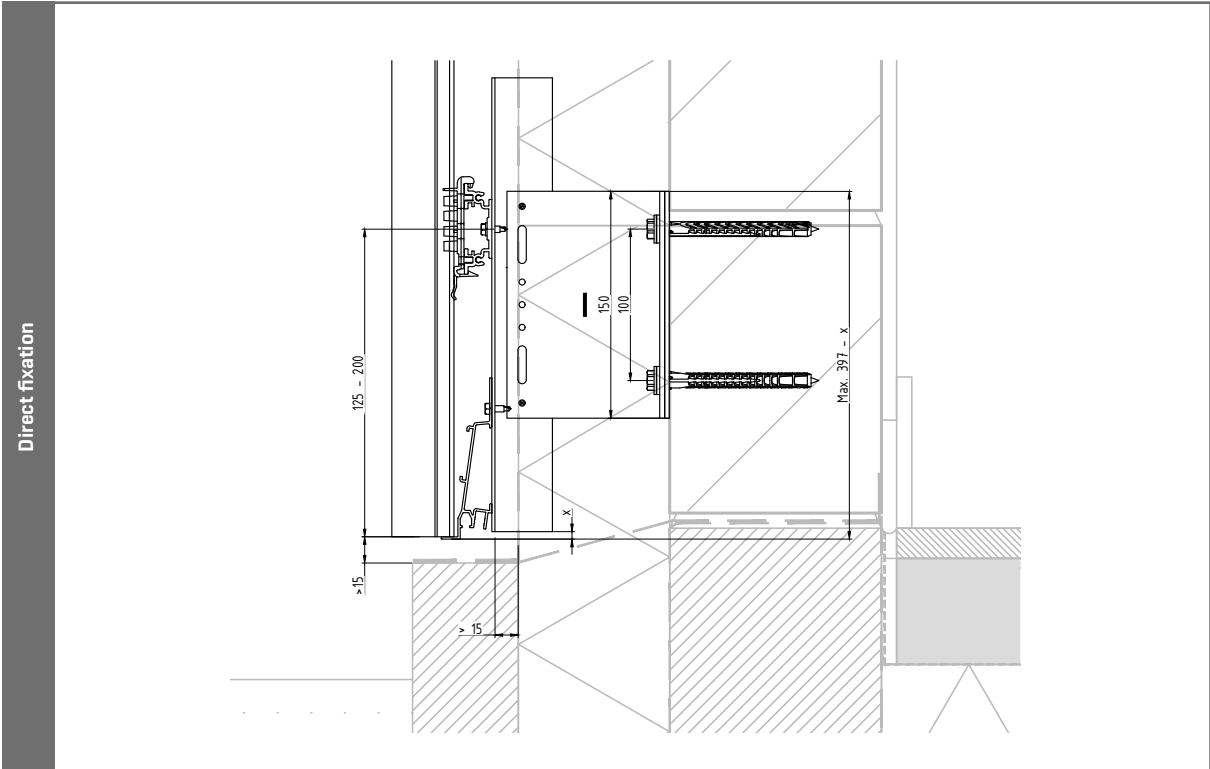
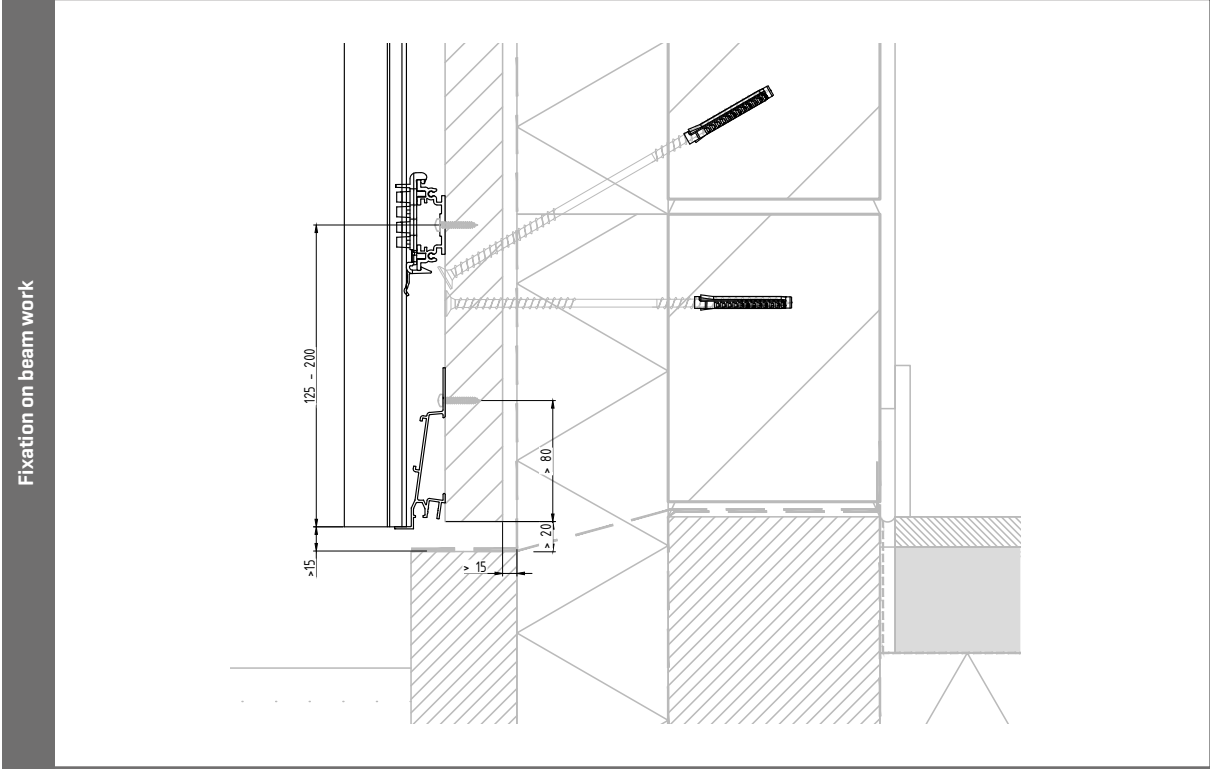
LINARTE® ARCHITECTURAL DRAWINGS

1A. UNDERSIDE CLADDING



See glossary on p. 103

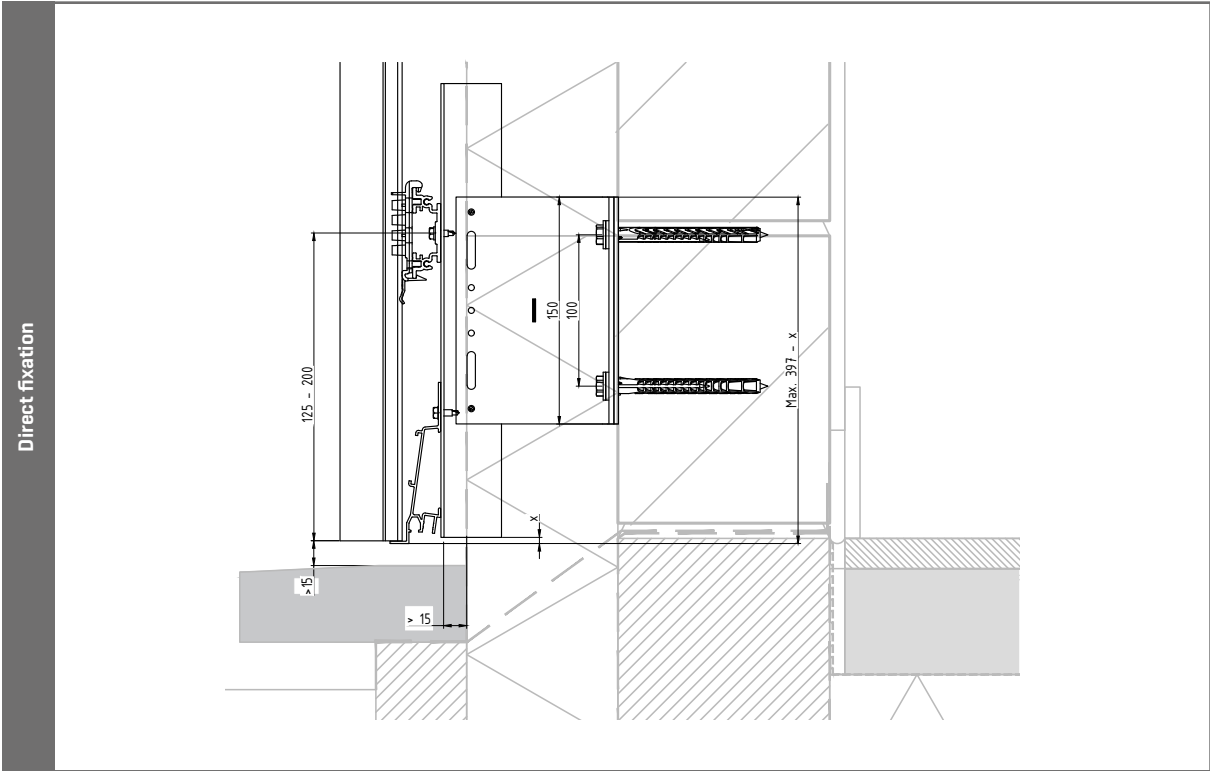
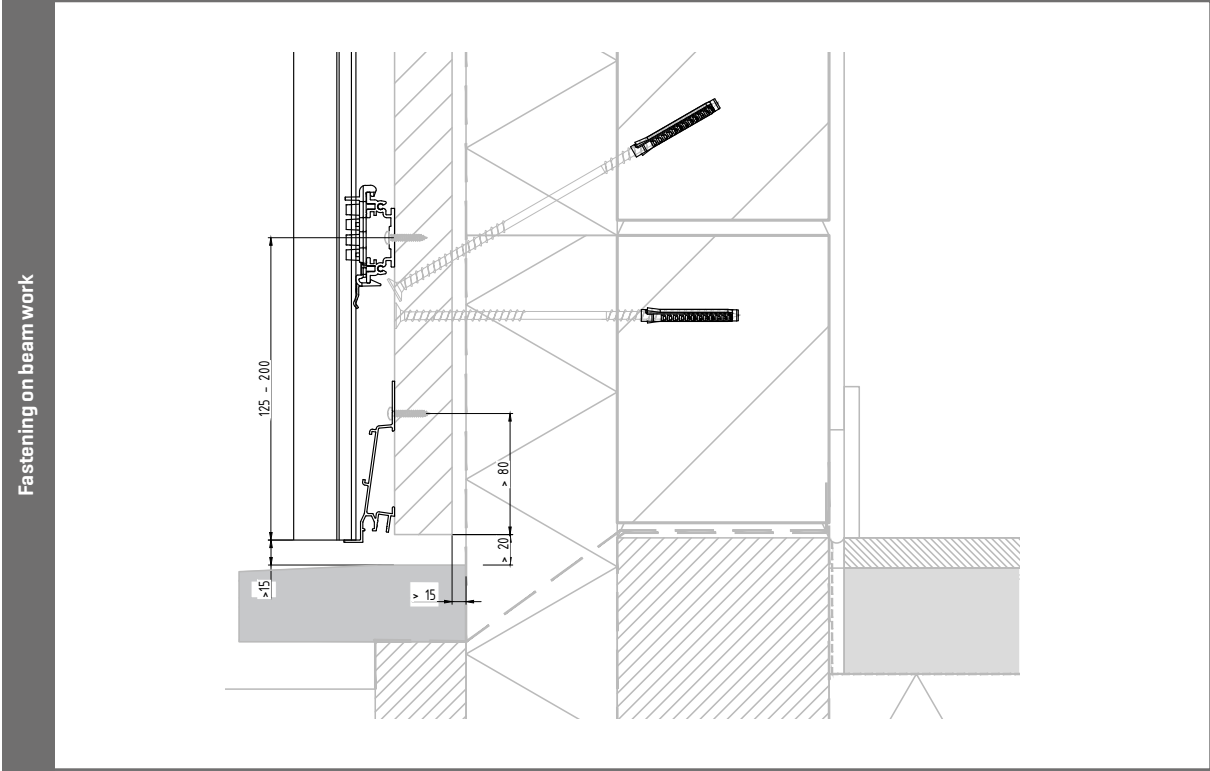
1B. UNDERSIDE CLADDING WITH PLINTH



See glossary on p. 103

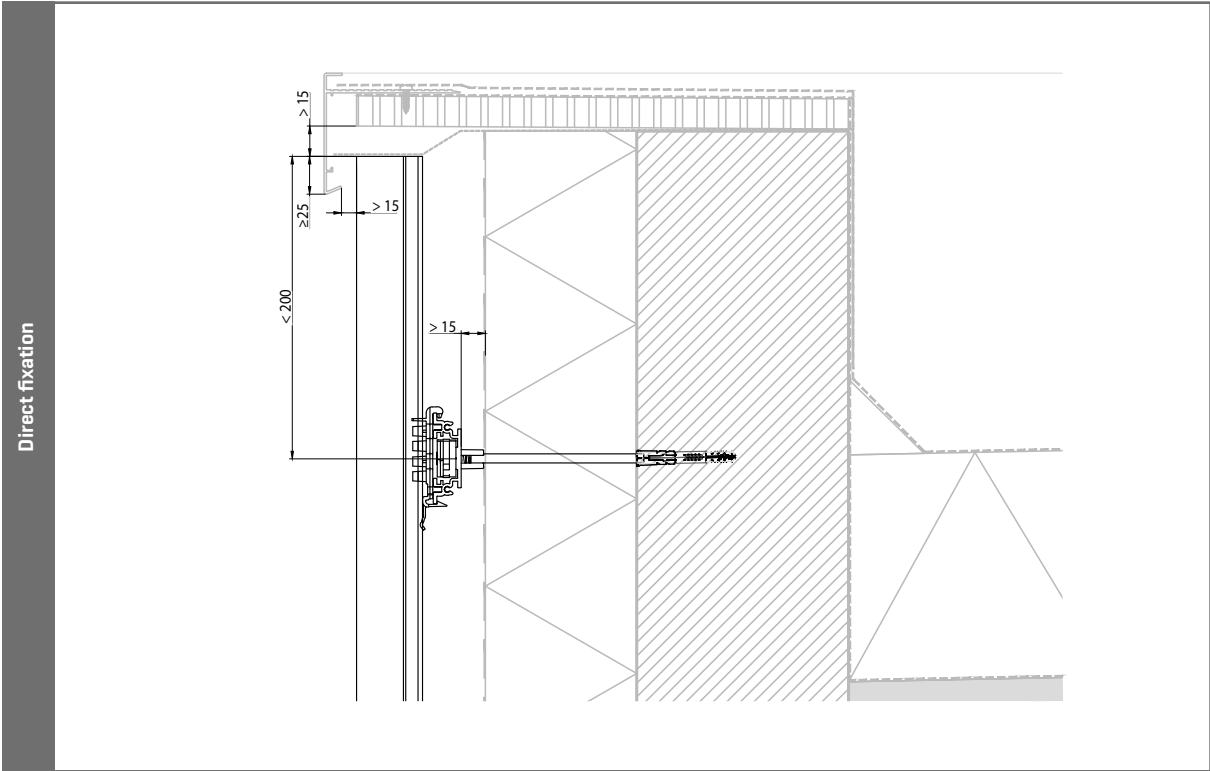
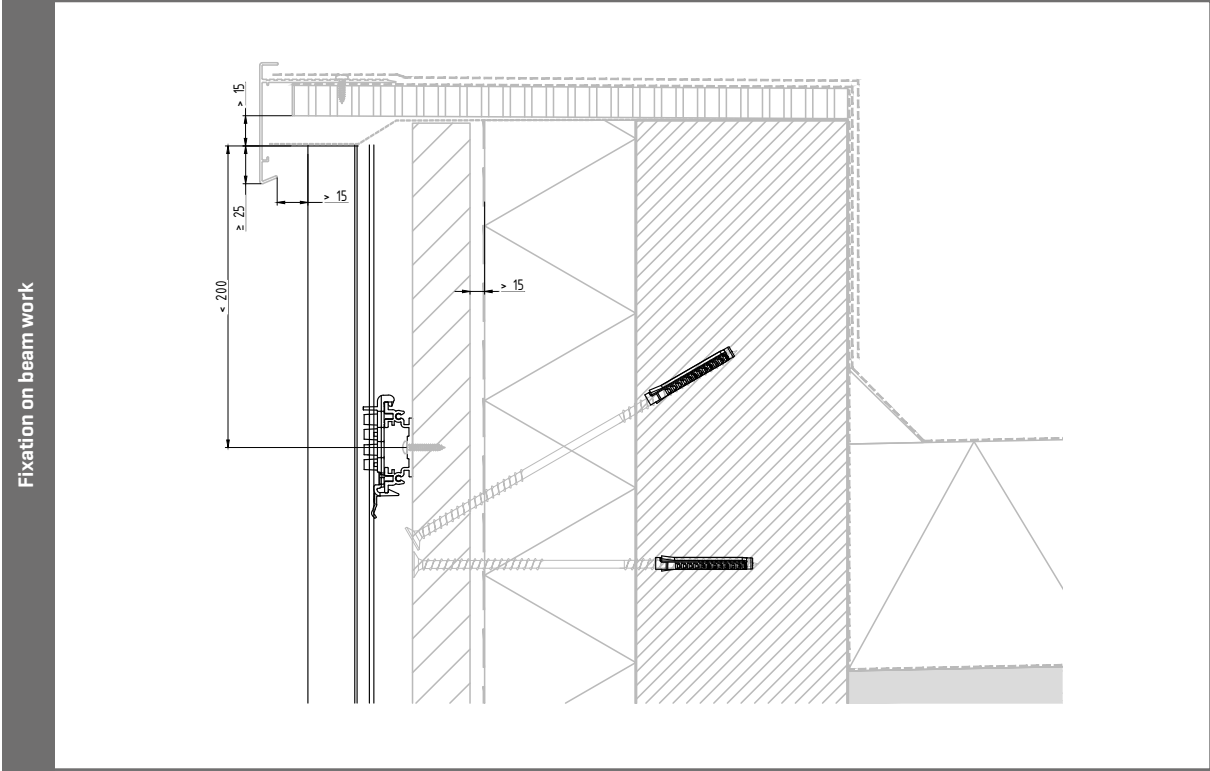
LINARTE® ARCHITECTURAL DRAWINGS

1C. UNDERSIDE CLADDING WITH THRESHOLD



See glossary on p. 103

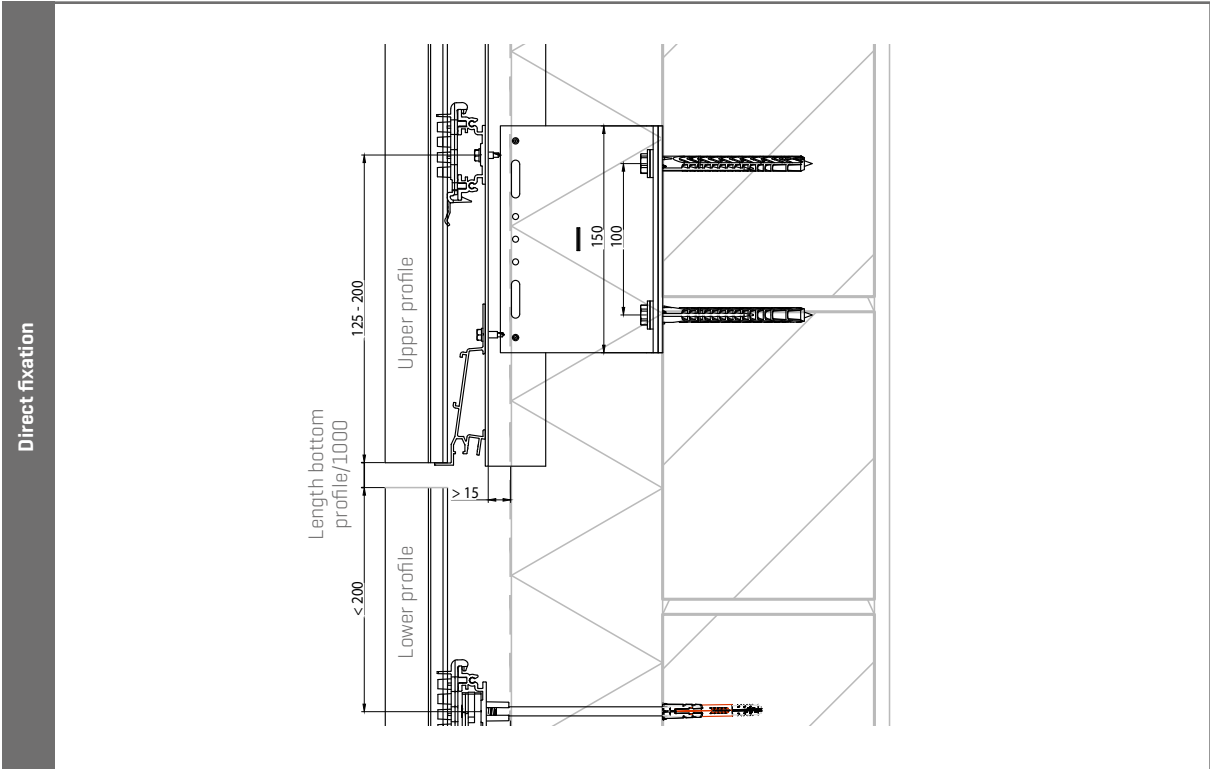
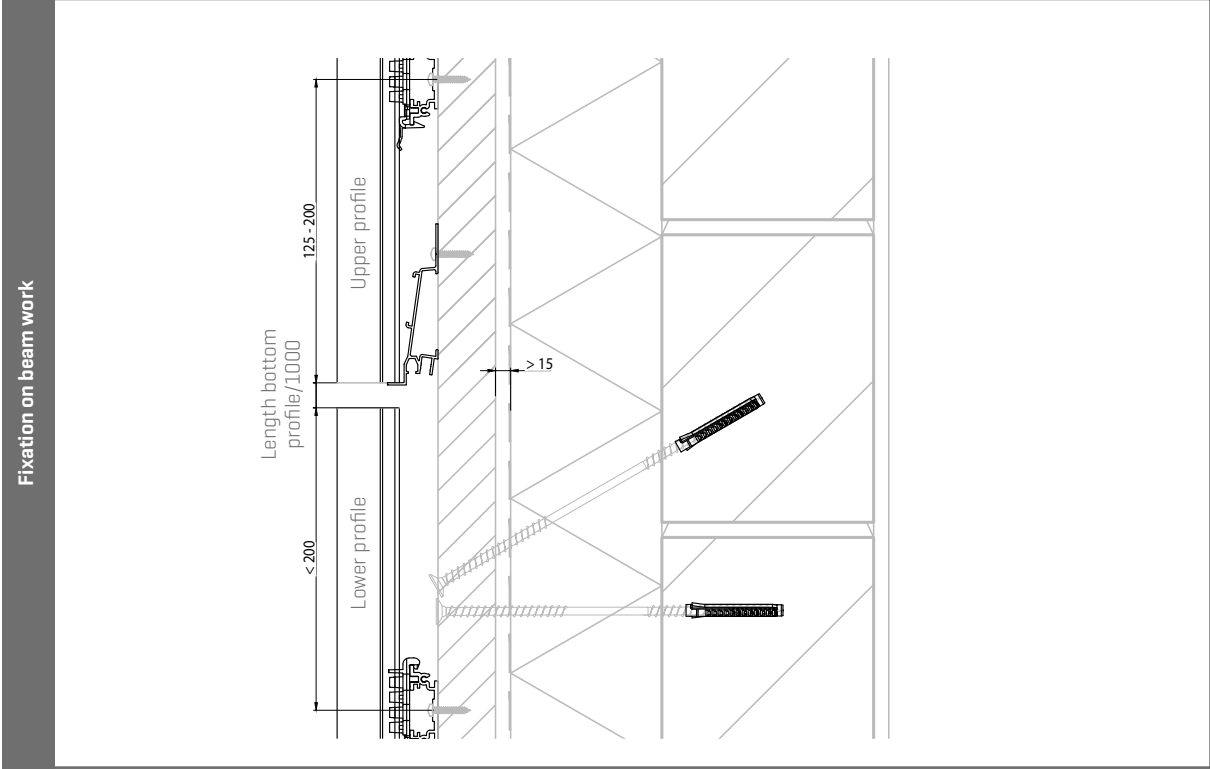
2. ROOF EDGE FINISHING



See glossary on p. 103

LINARTE® ARCHITECTURAL DRAWINGS

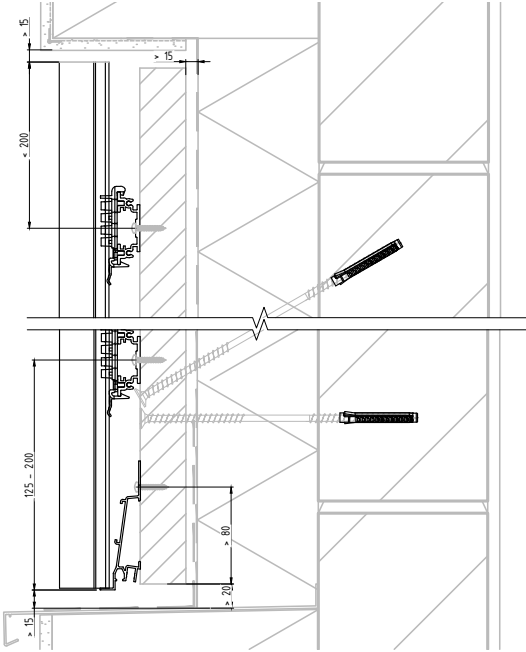
3. HORIZONTAL JOINT



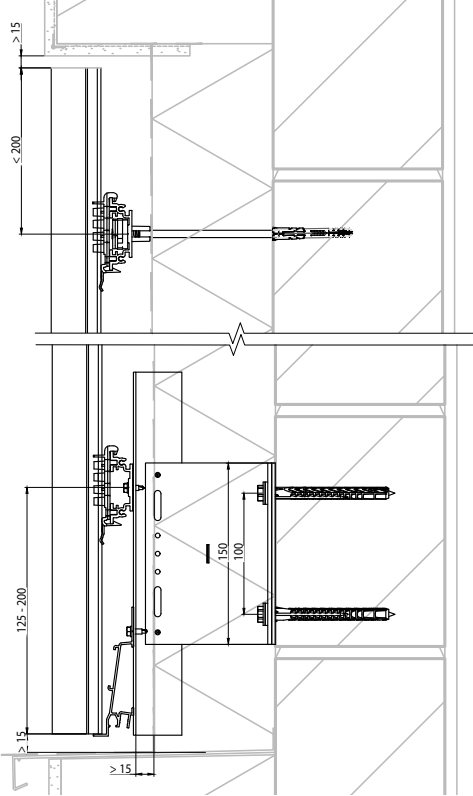
See glossary on p. 103

4A. WALL CONNECTION

Fixation on beam work



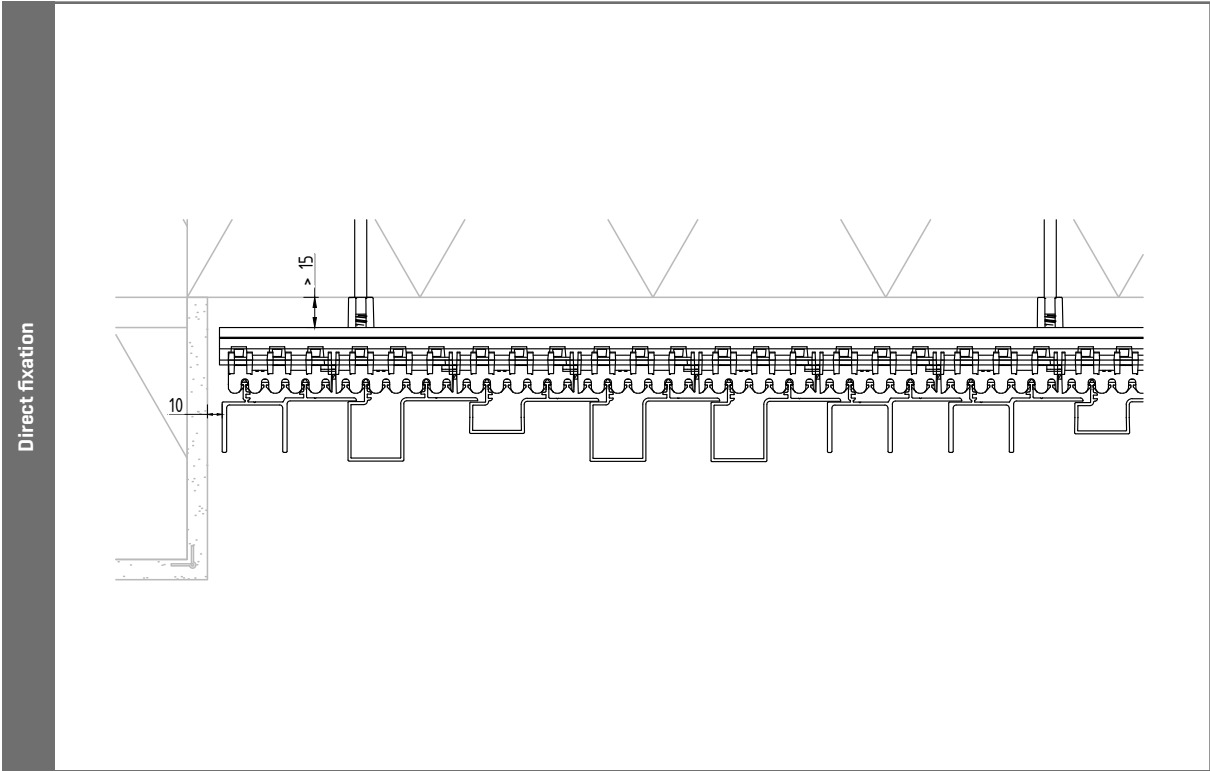
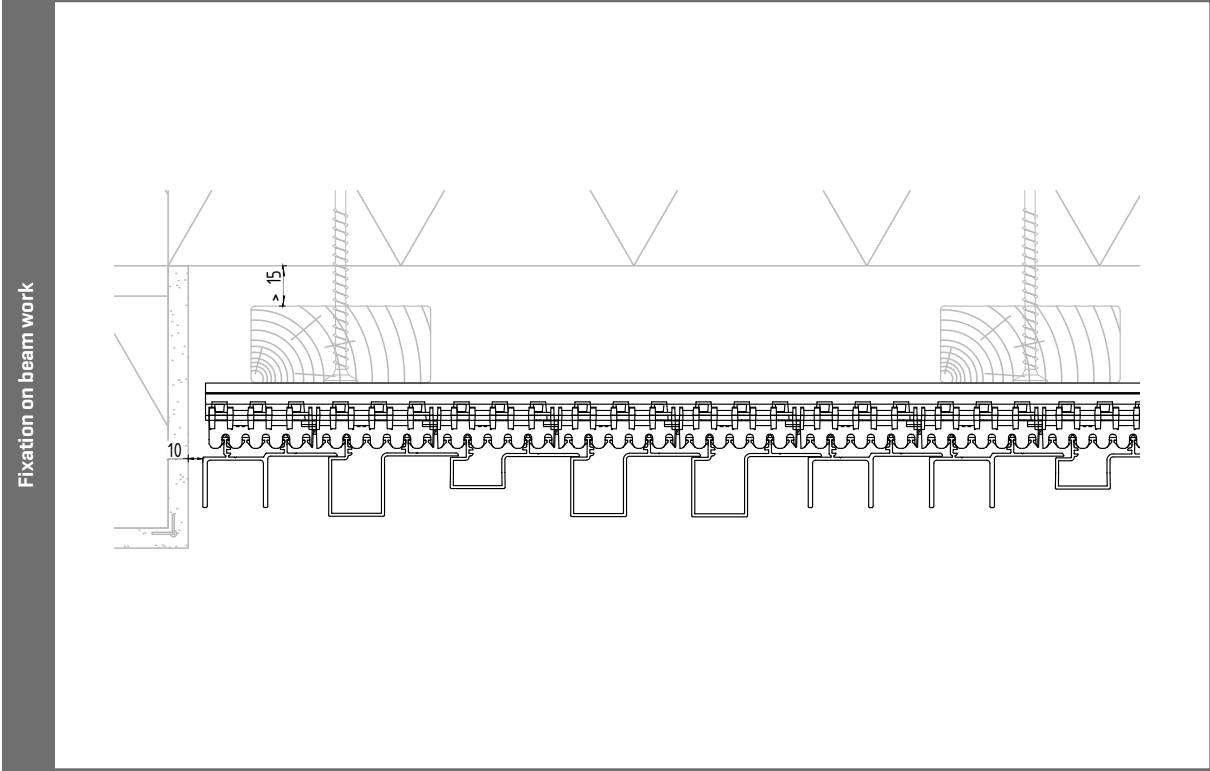
Direct fixation



See glossary on p. 103

LINARTE® ARCHITECTURAL DRAWINGS

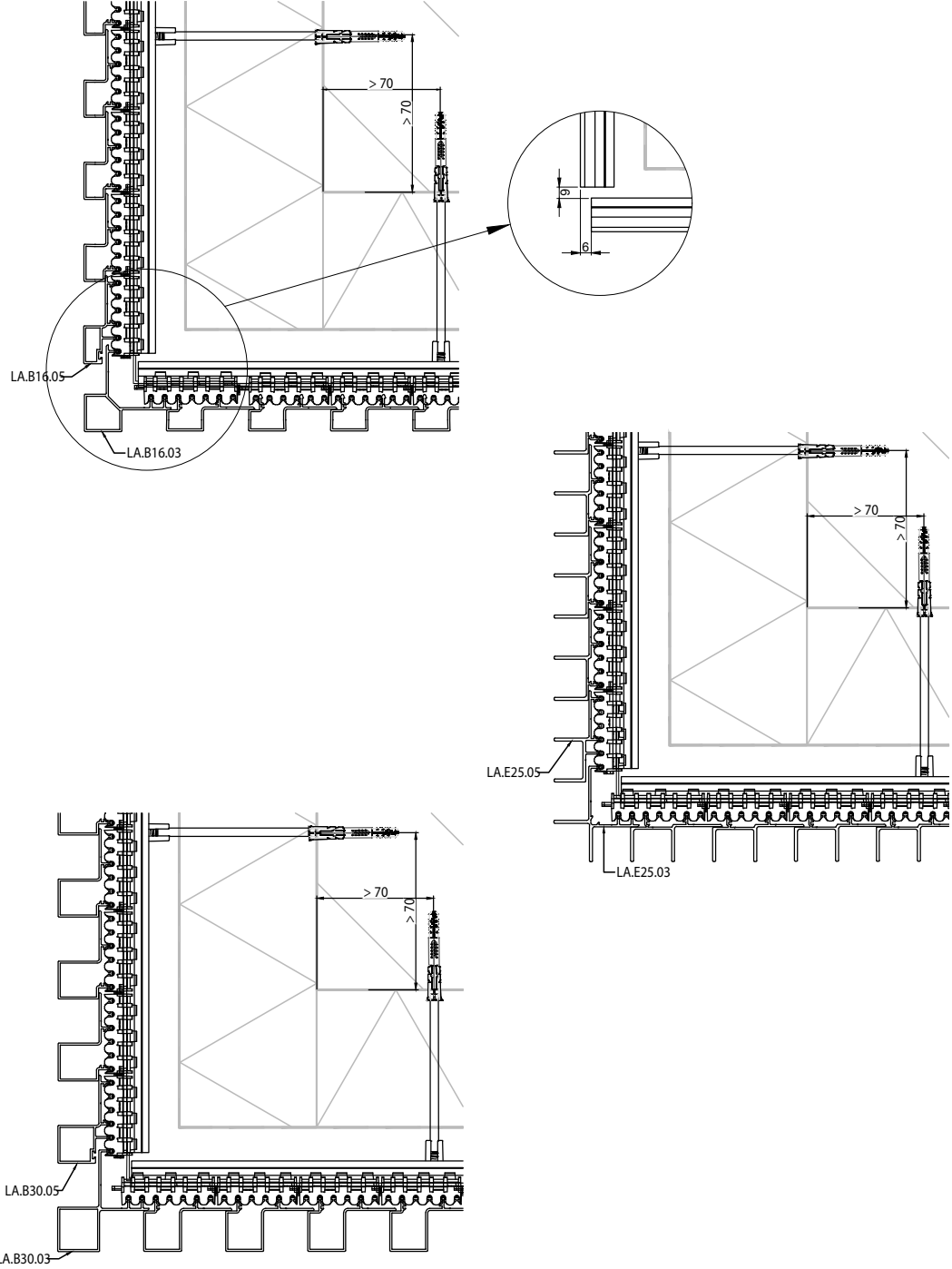
4B. WALL CONNECTION



See glossary on p. 103

5. OUTER CORNERS

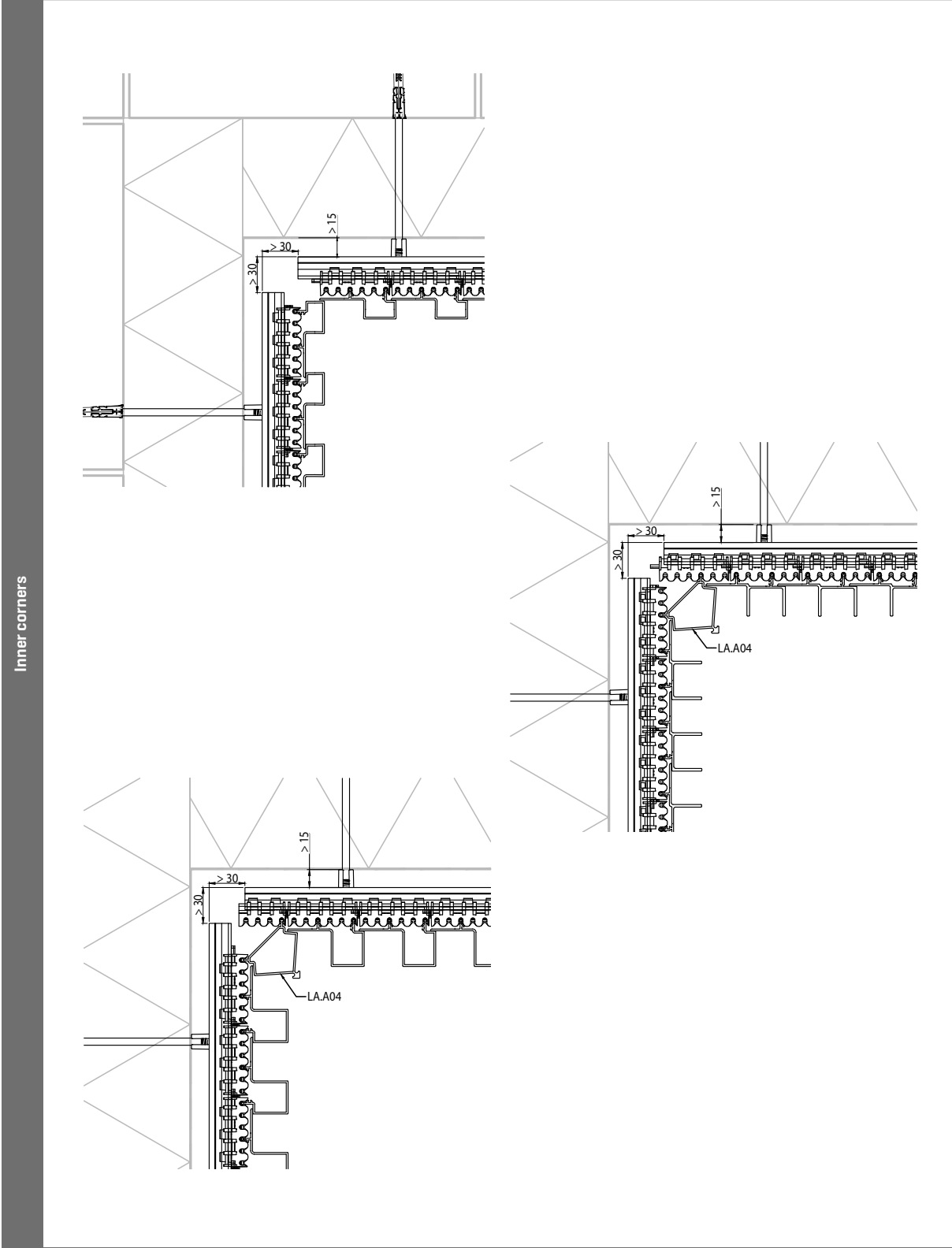
Outer corners



See glossary on p. 103

LINARTE® ARCHITECTURAL DRAWINGS

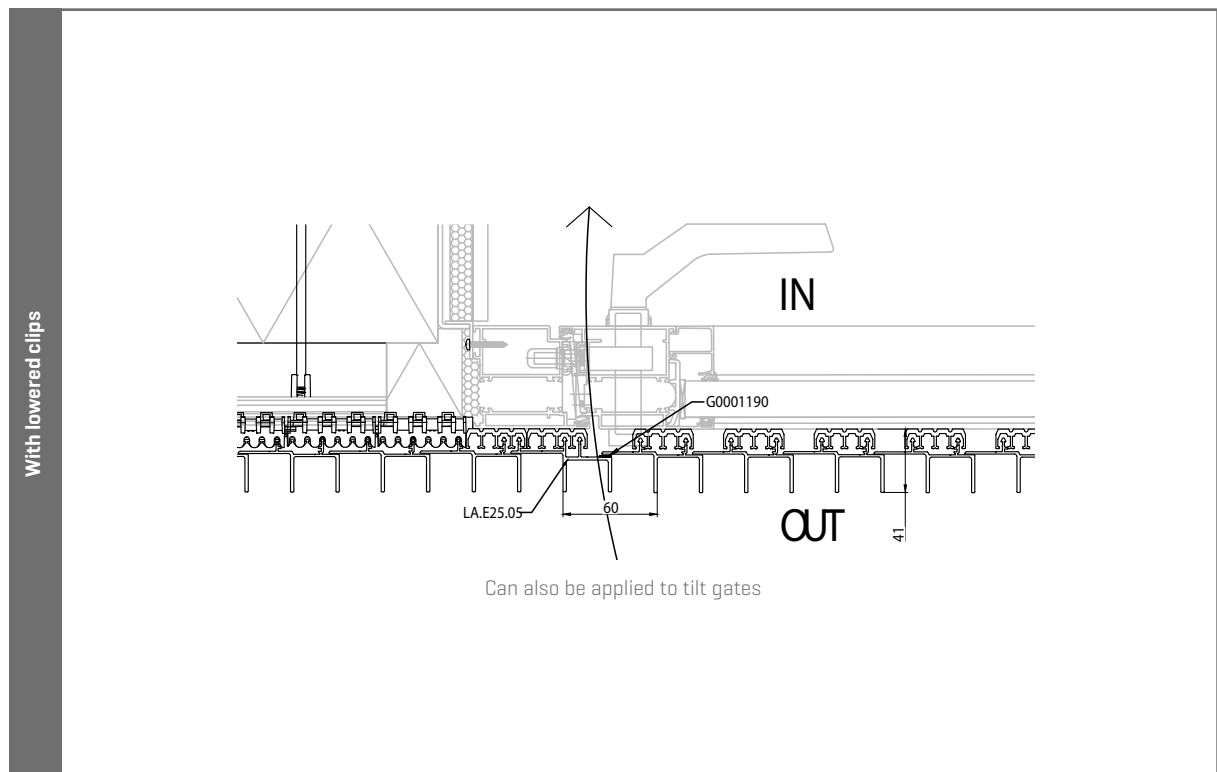
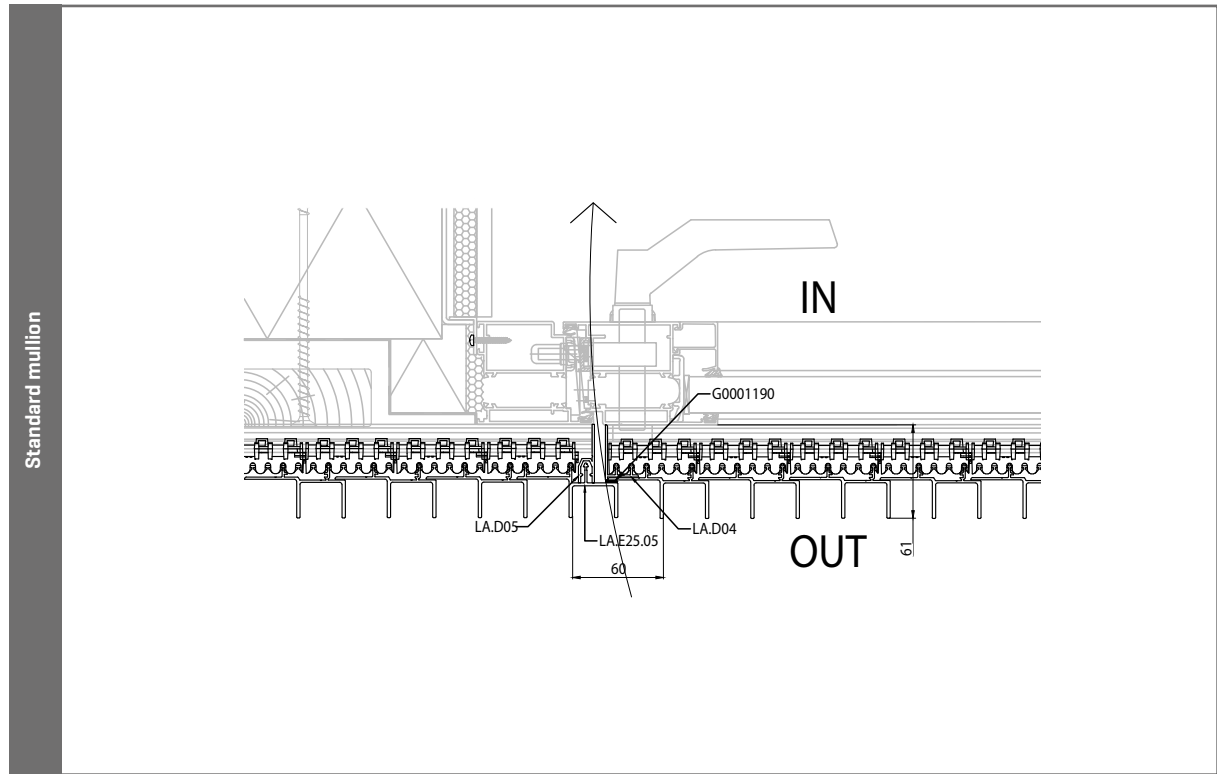
6. INNER CORNERS



Inner corners

See glossary on p. 103

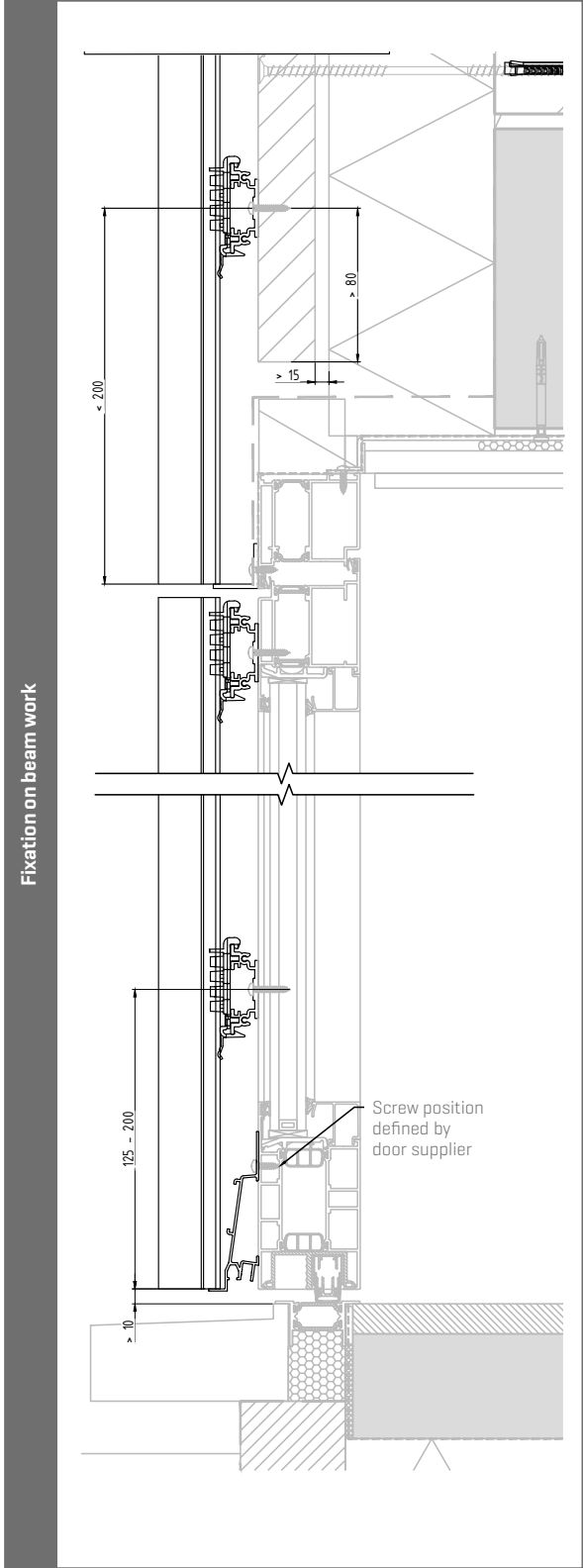
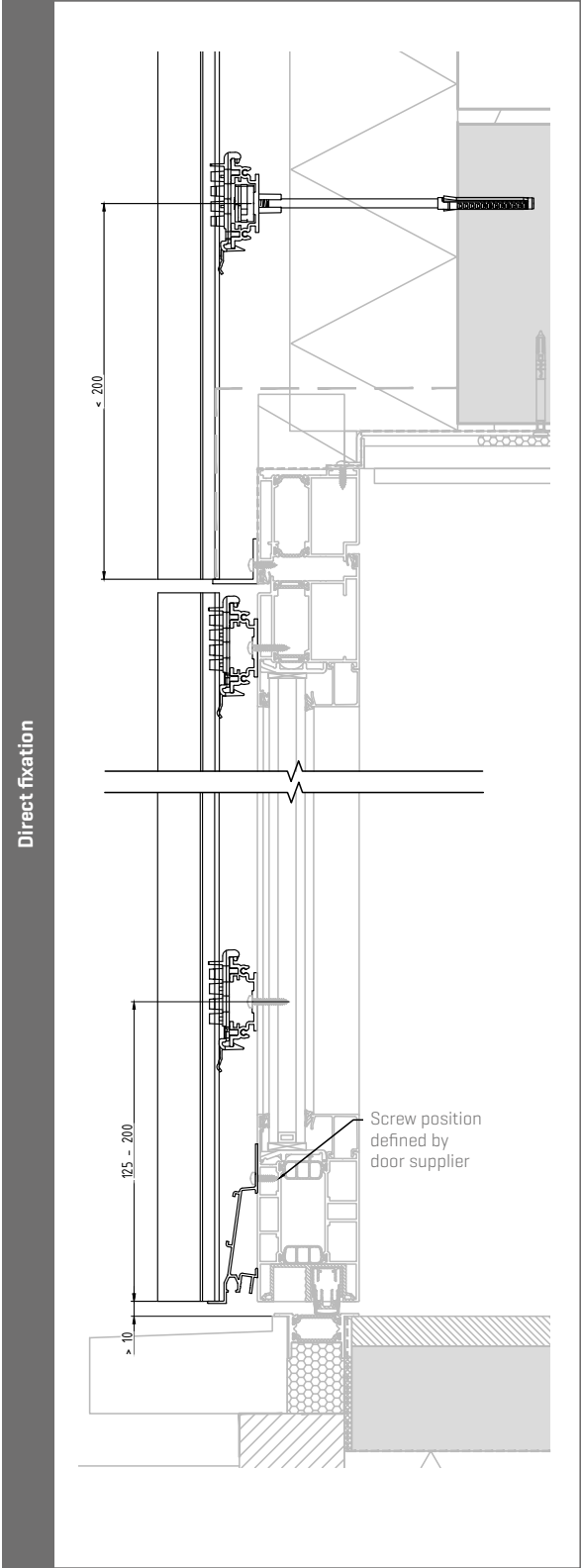
7A. DOOR CLADDING



See glossary on p. 103

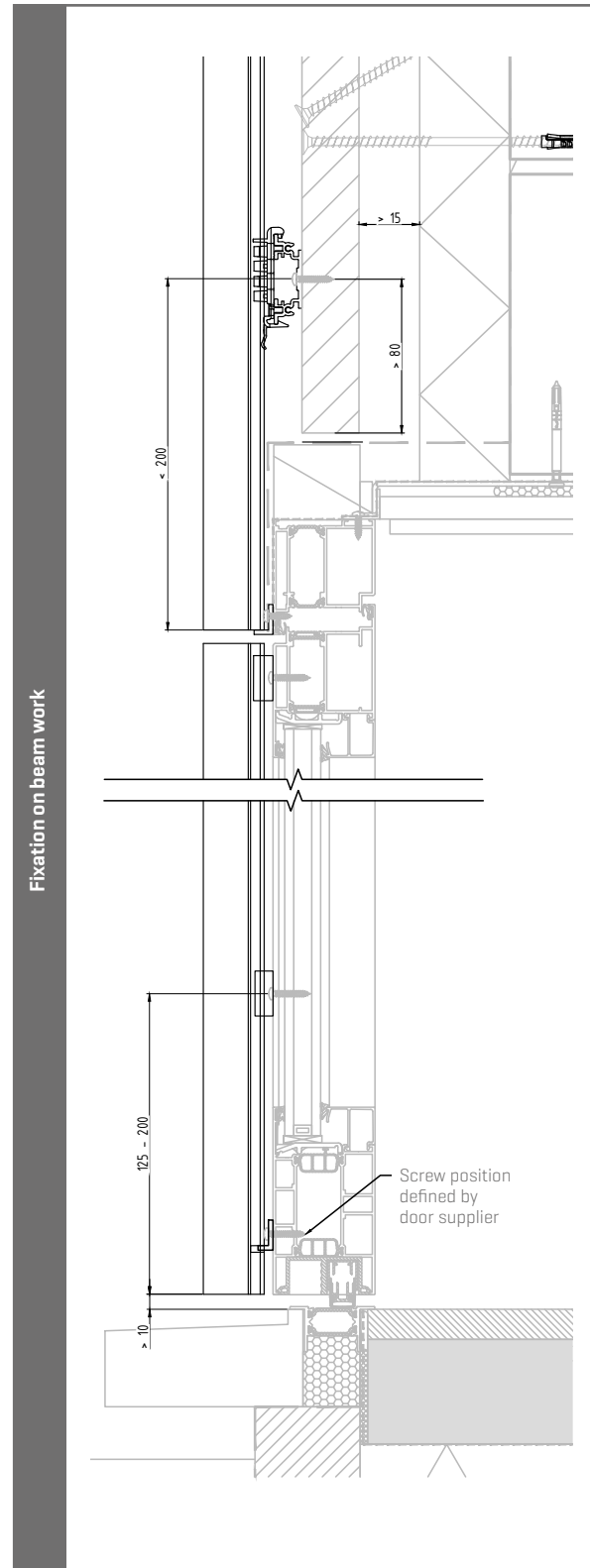
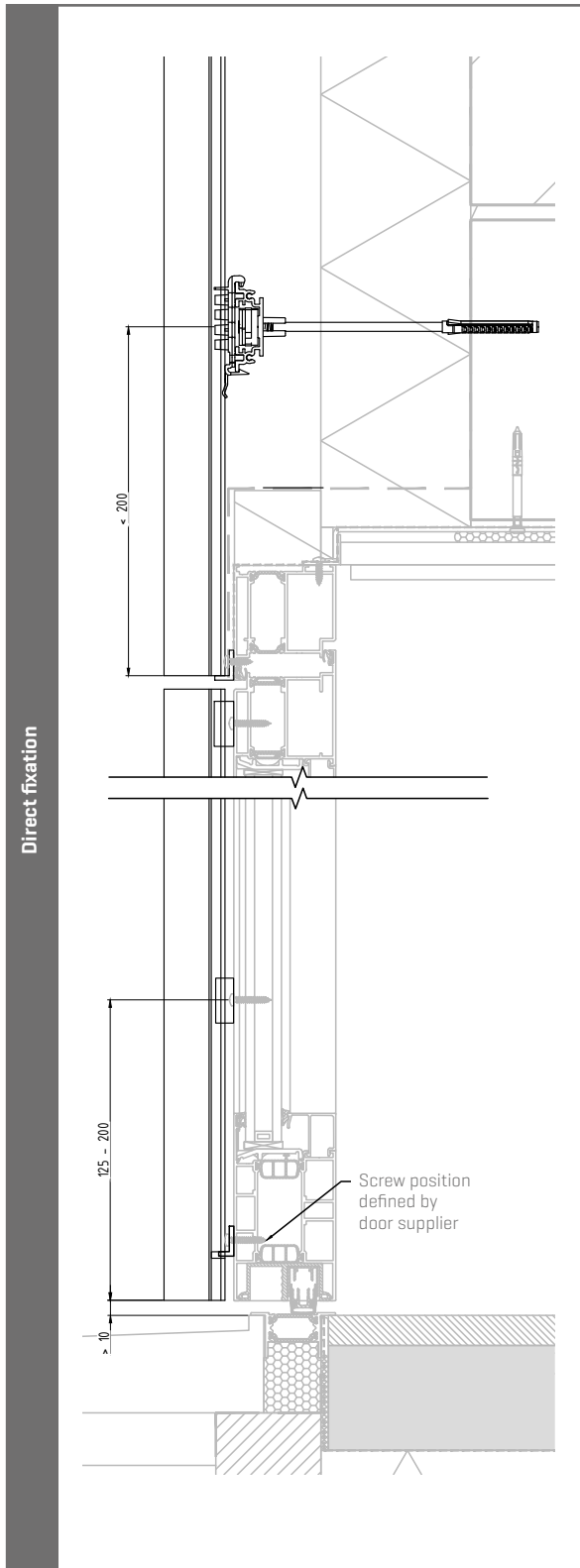
LINARTE® ARCHITECTURAL DRAWINGS

7B. DOOR CLADDING



See glossary on p. 103

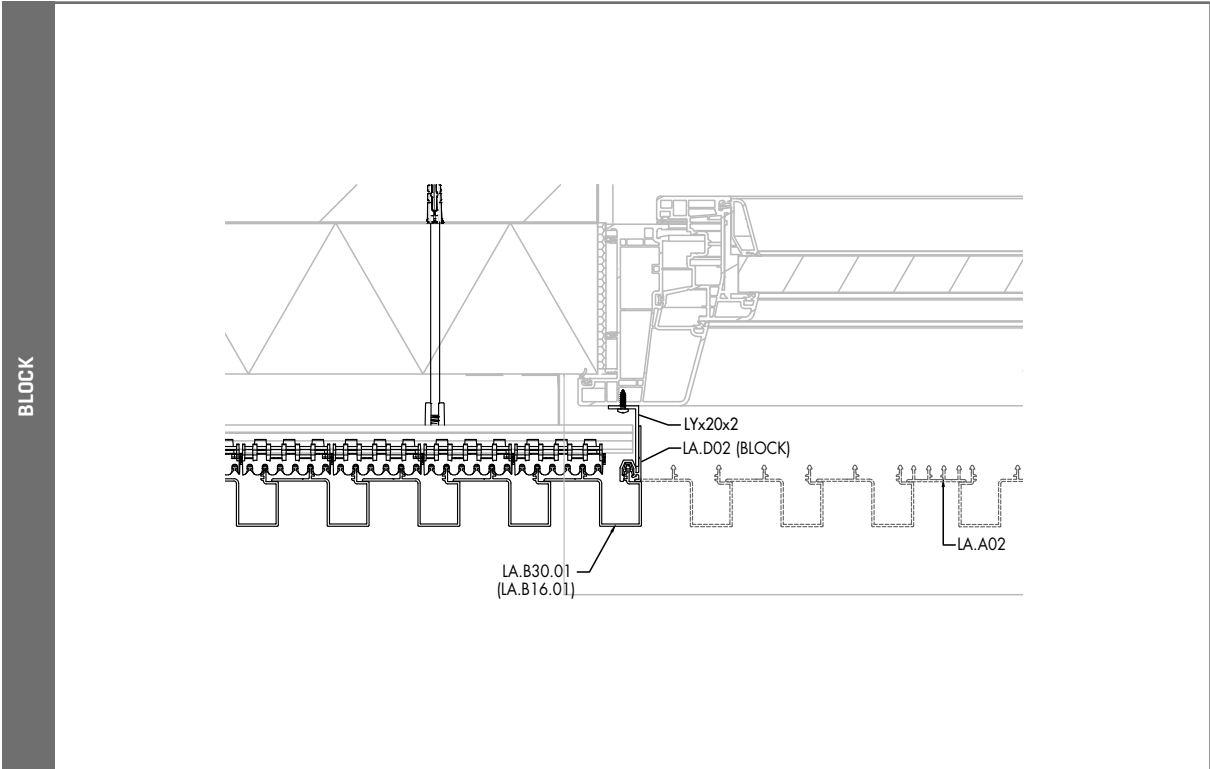
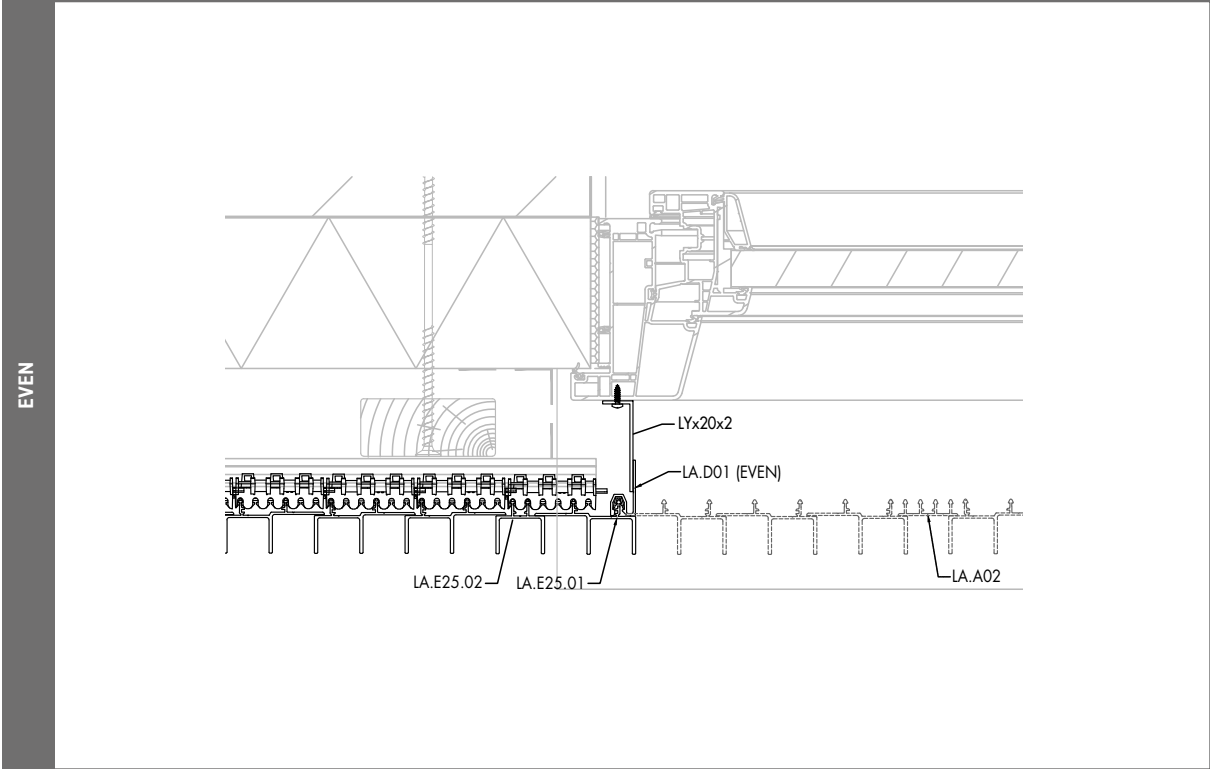
7B. DOOR CLADDING WITH LOWERED CLIPS



See glossary on p. 103

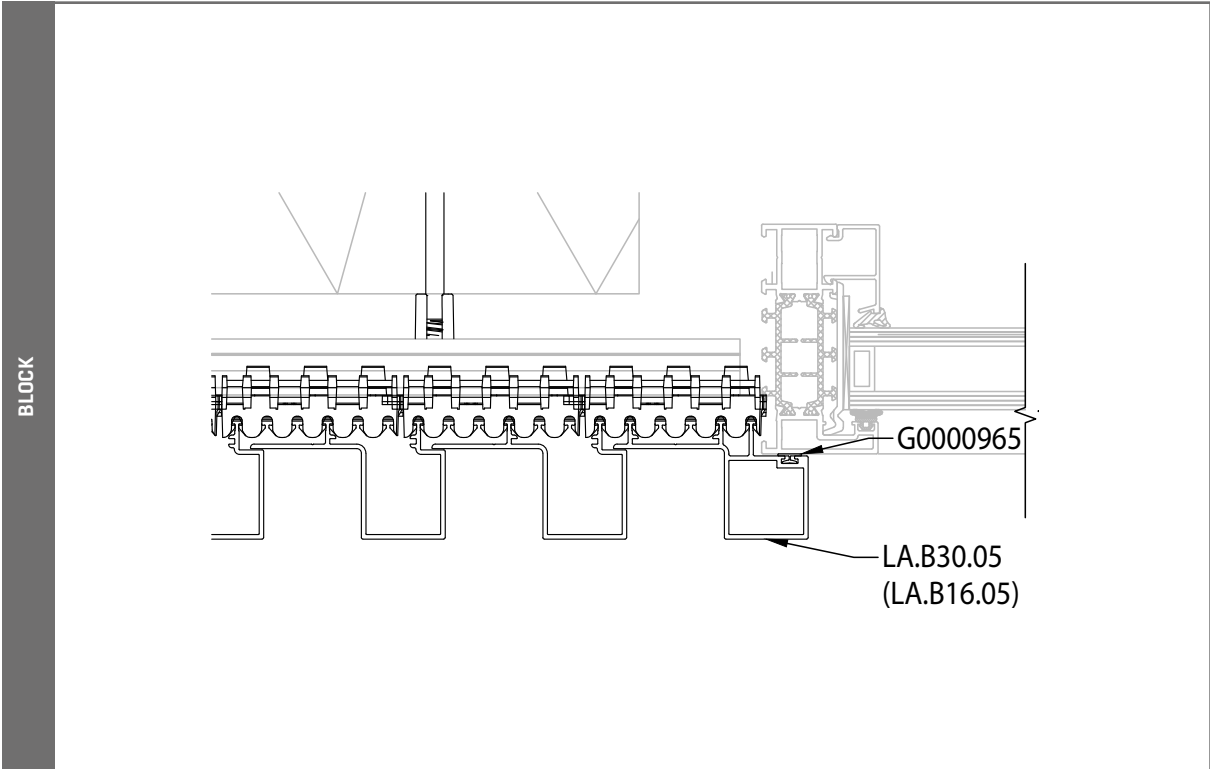
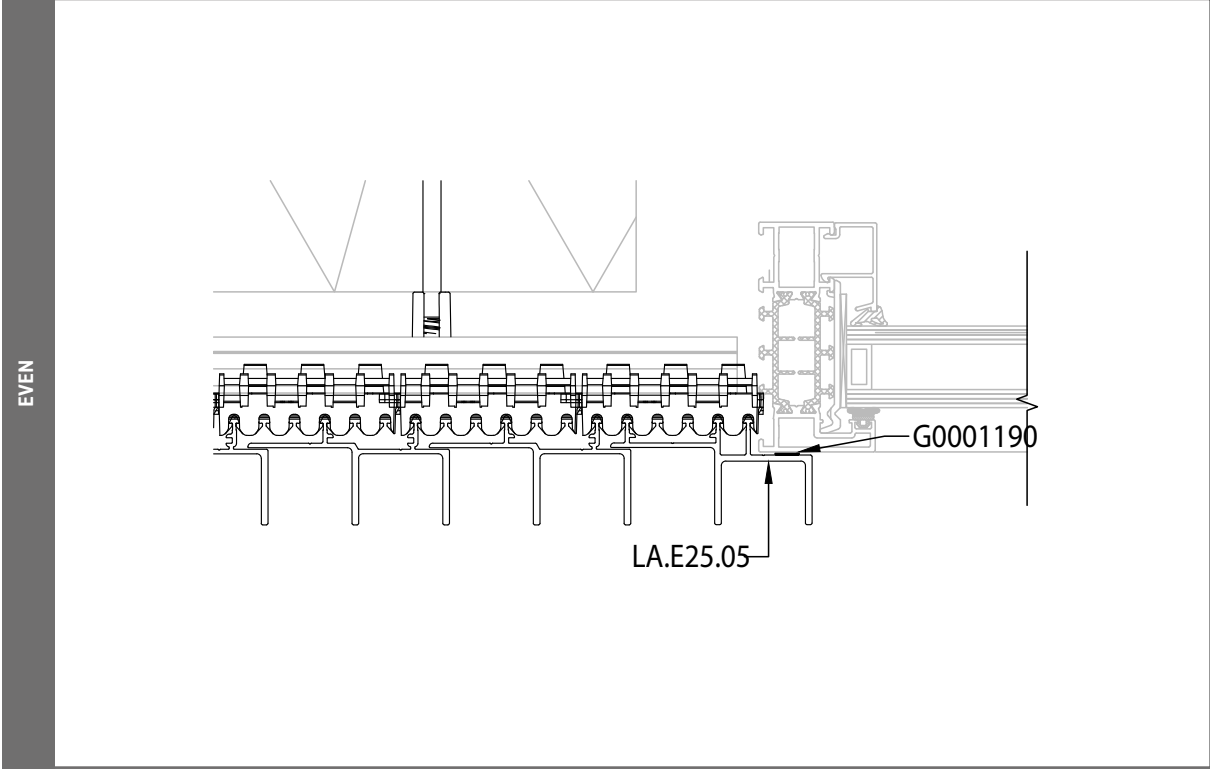
LINARTE® ARCHITECTURAL DRAWINGS

8A. WINDOW FINISHING



See glossary on p. 103

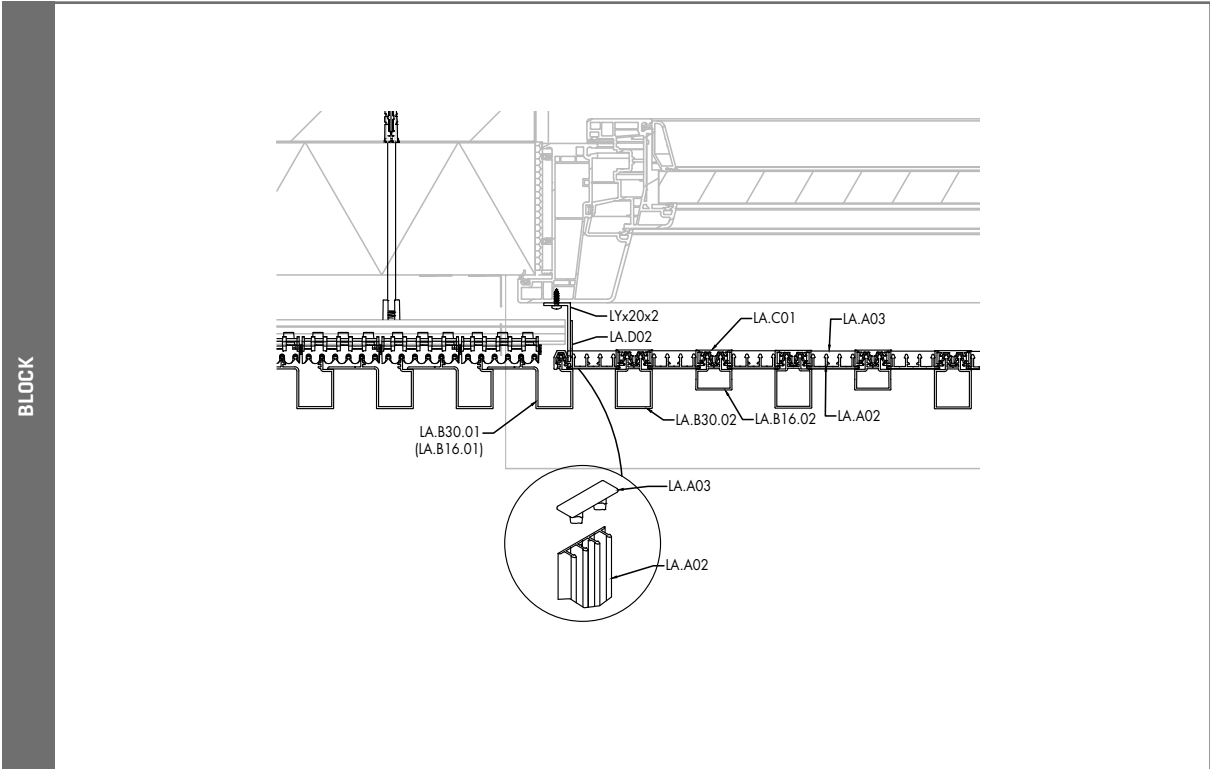
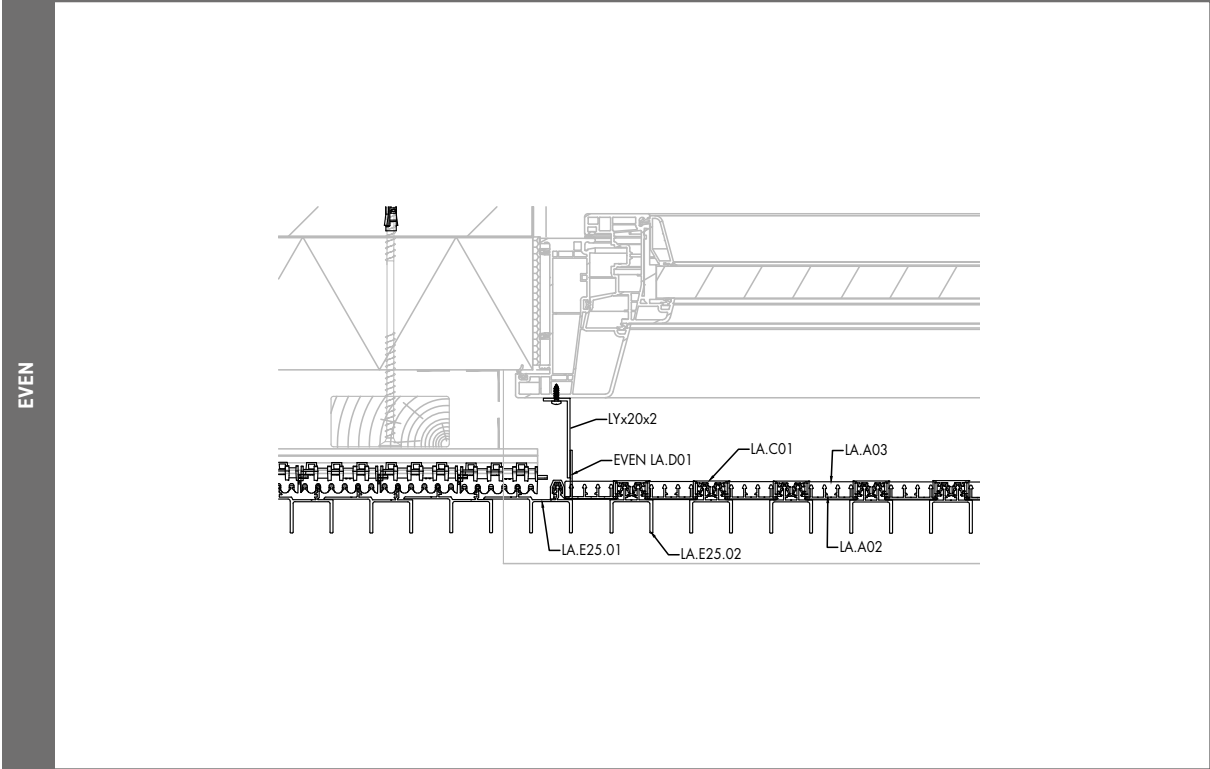
8B. WINDOW IN FAÇADE SURFACE



See glossary on p. 103

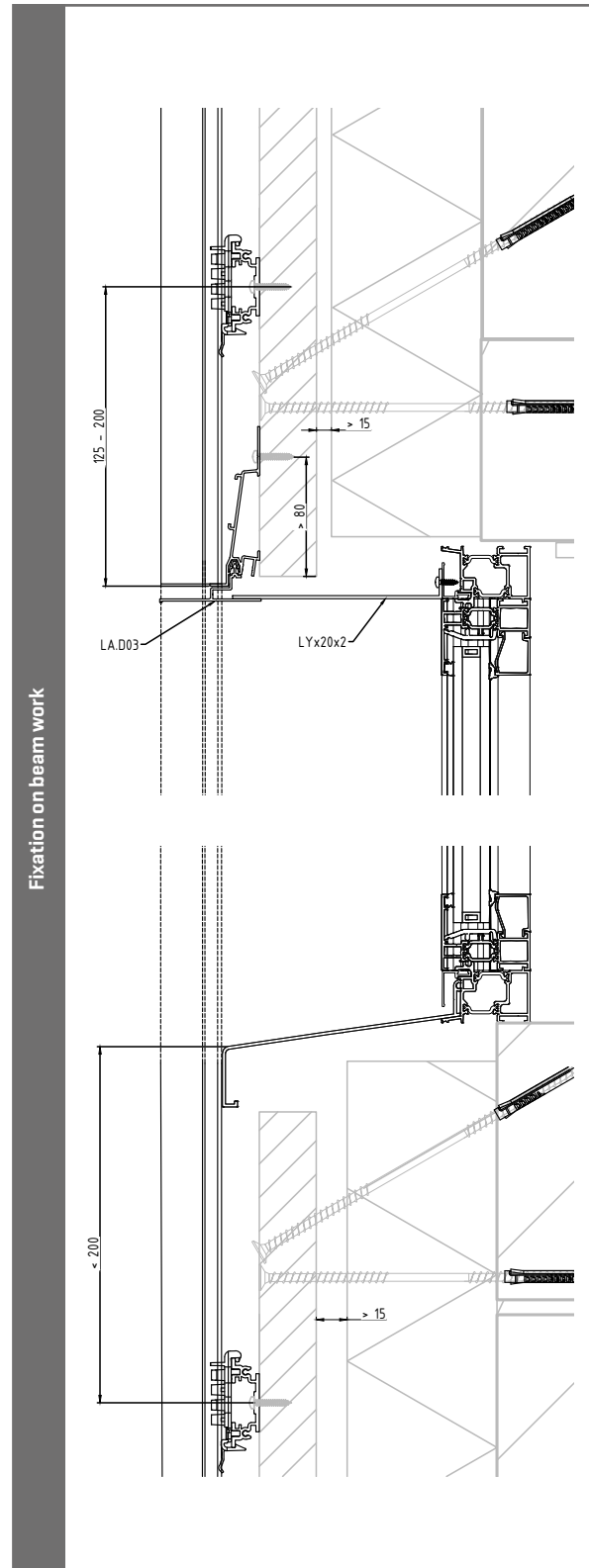
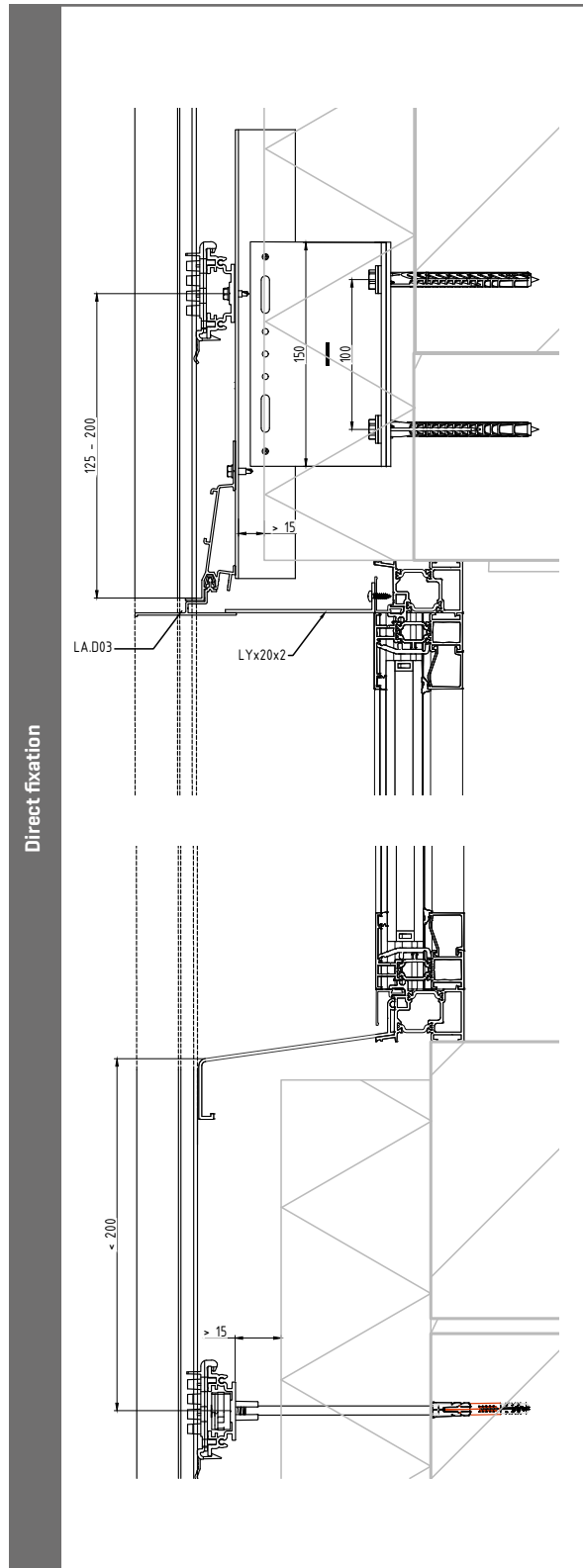
LINARTE® ARCHITECTURAL DRAWINGS

8C. SEMI-OPEN CLADDING



See glossary on p. 103

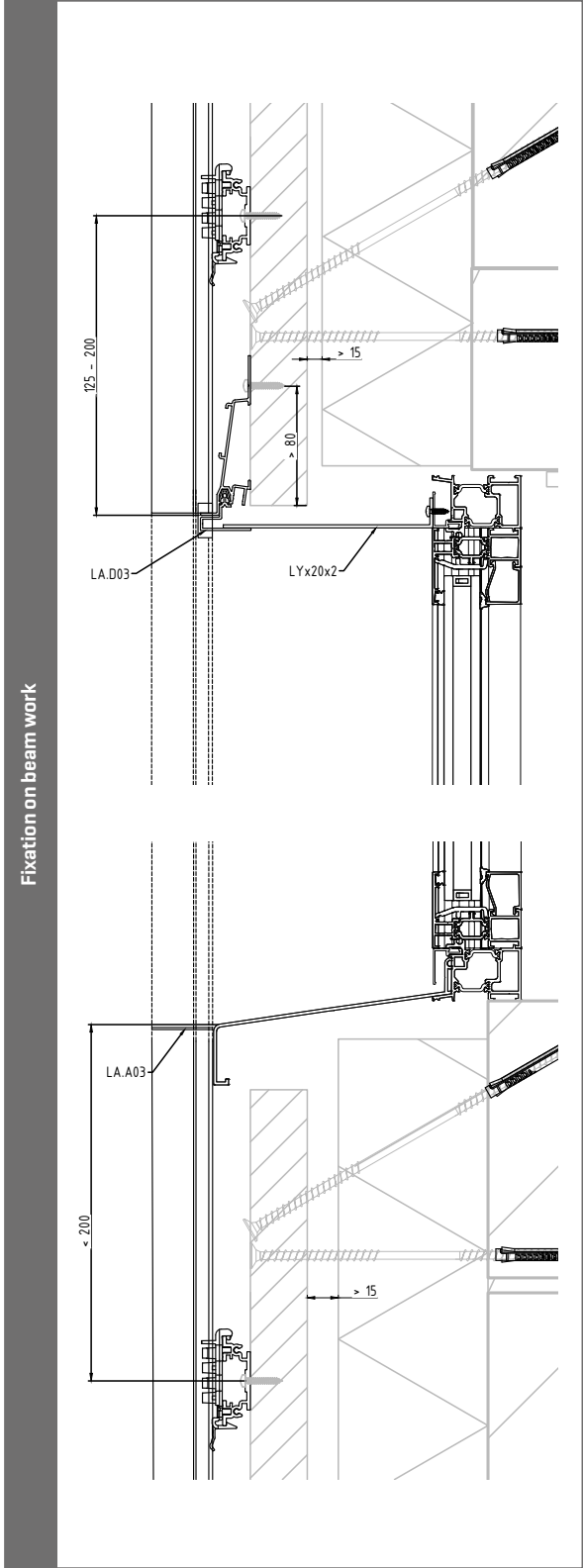
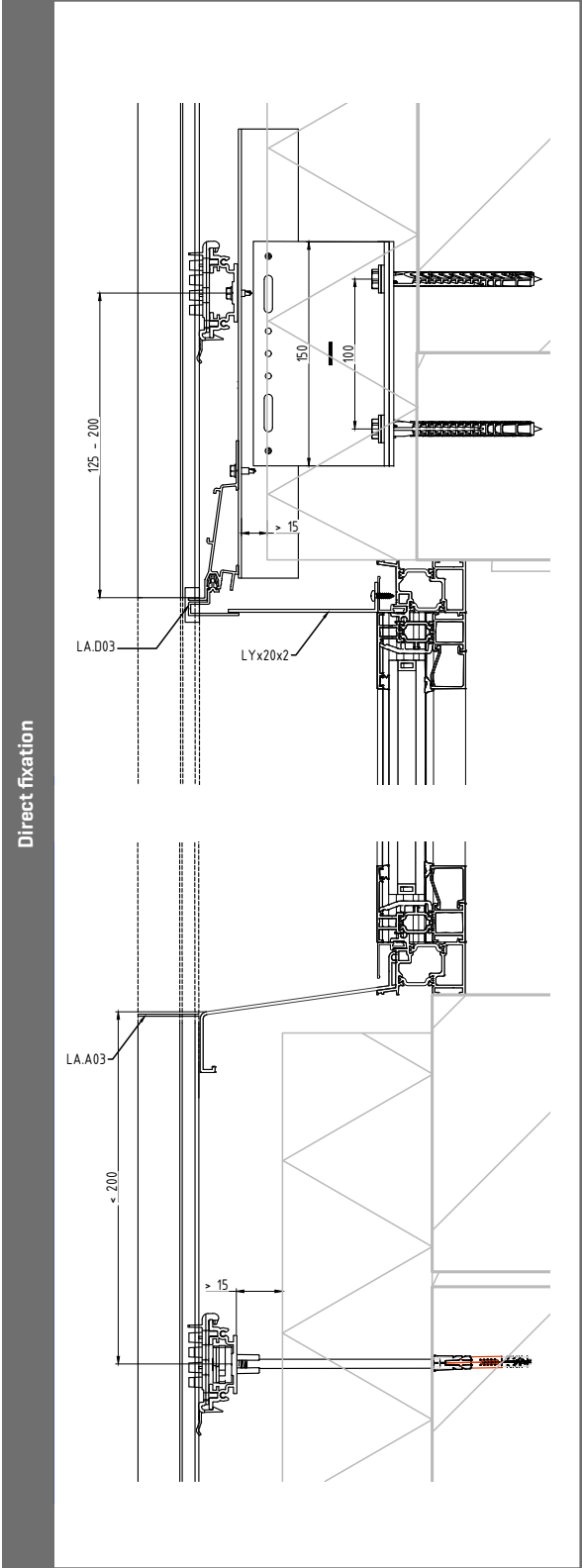
8D. WINDOW FINISH TOP



See glossary on p. 103

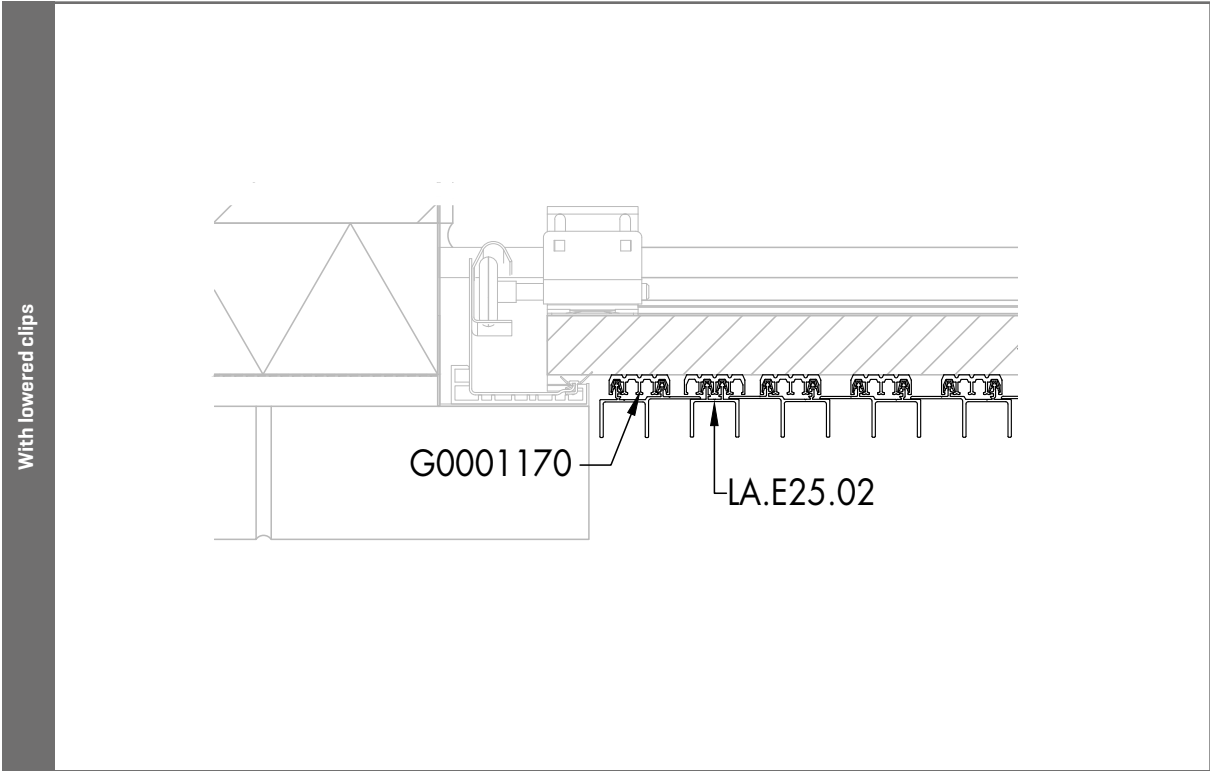
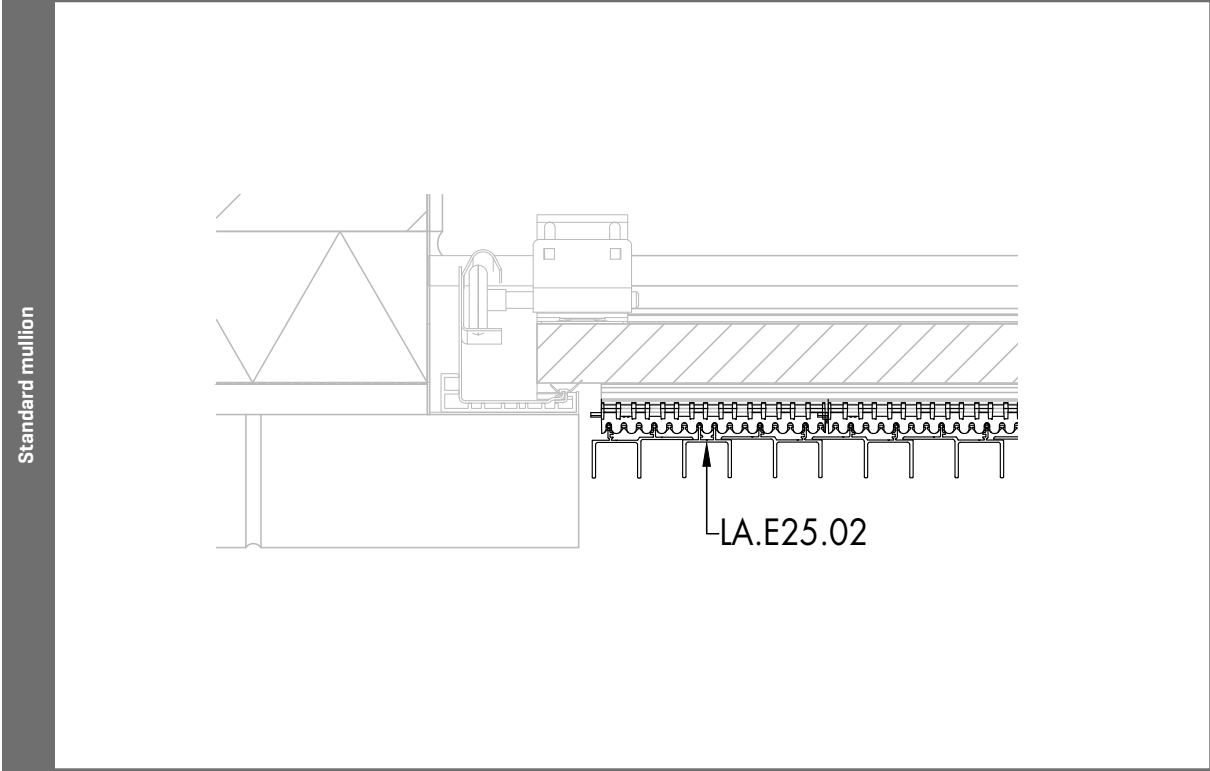
LINARTE® ARCHITECTURAL DRAWINGS

8E. SEMI-OPEN CLADDING



See glossary on p. 103

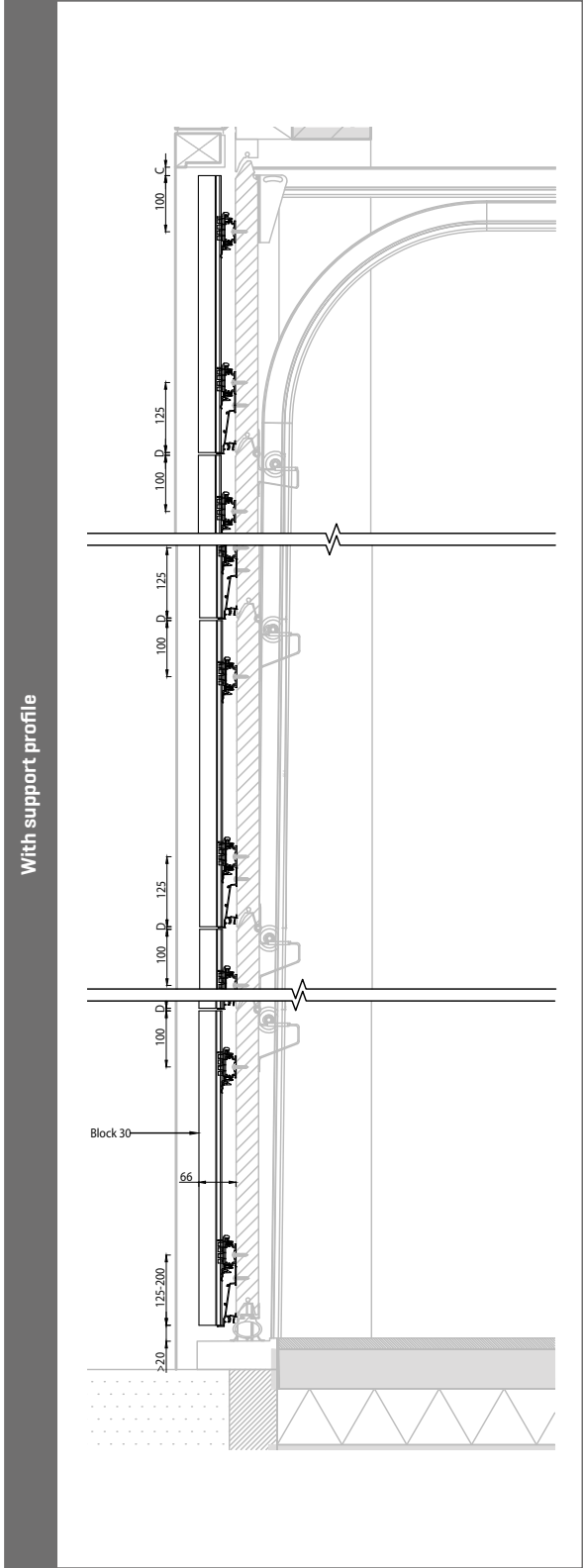
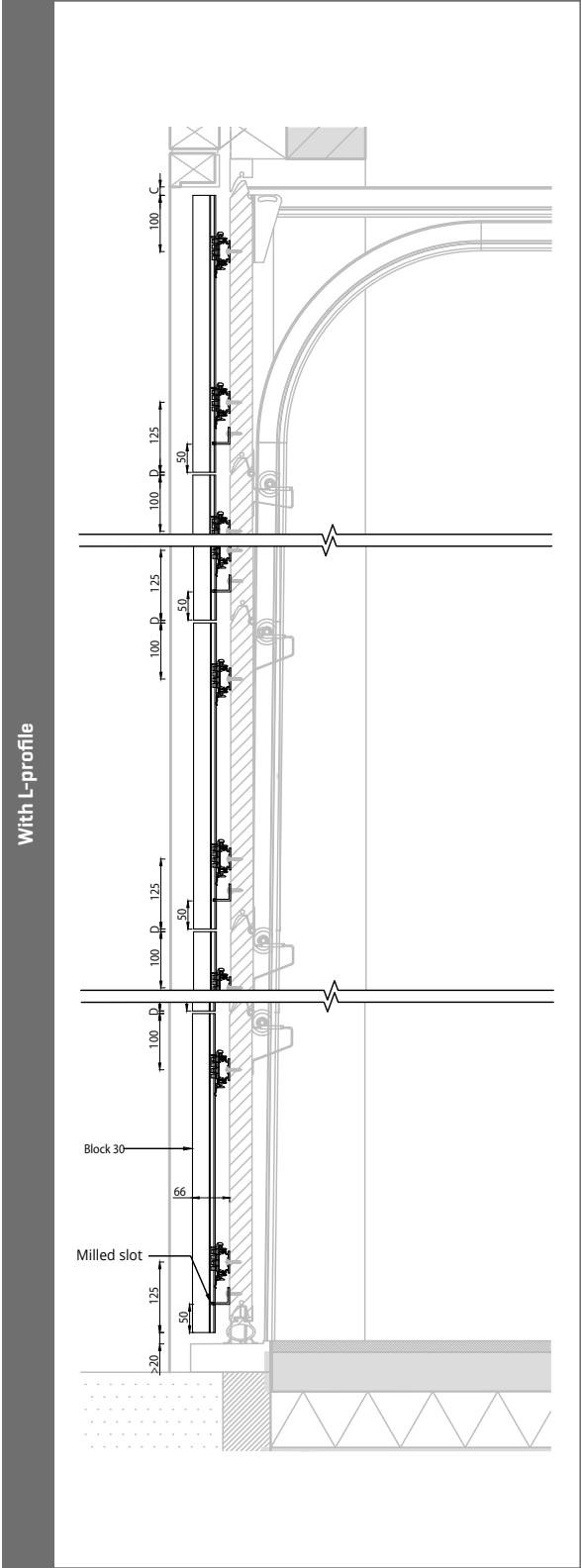
9A. SECTIONAL GARAGE DOOR BETWEEN WALL



See glossary on p. 103

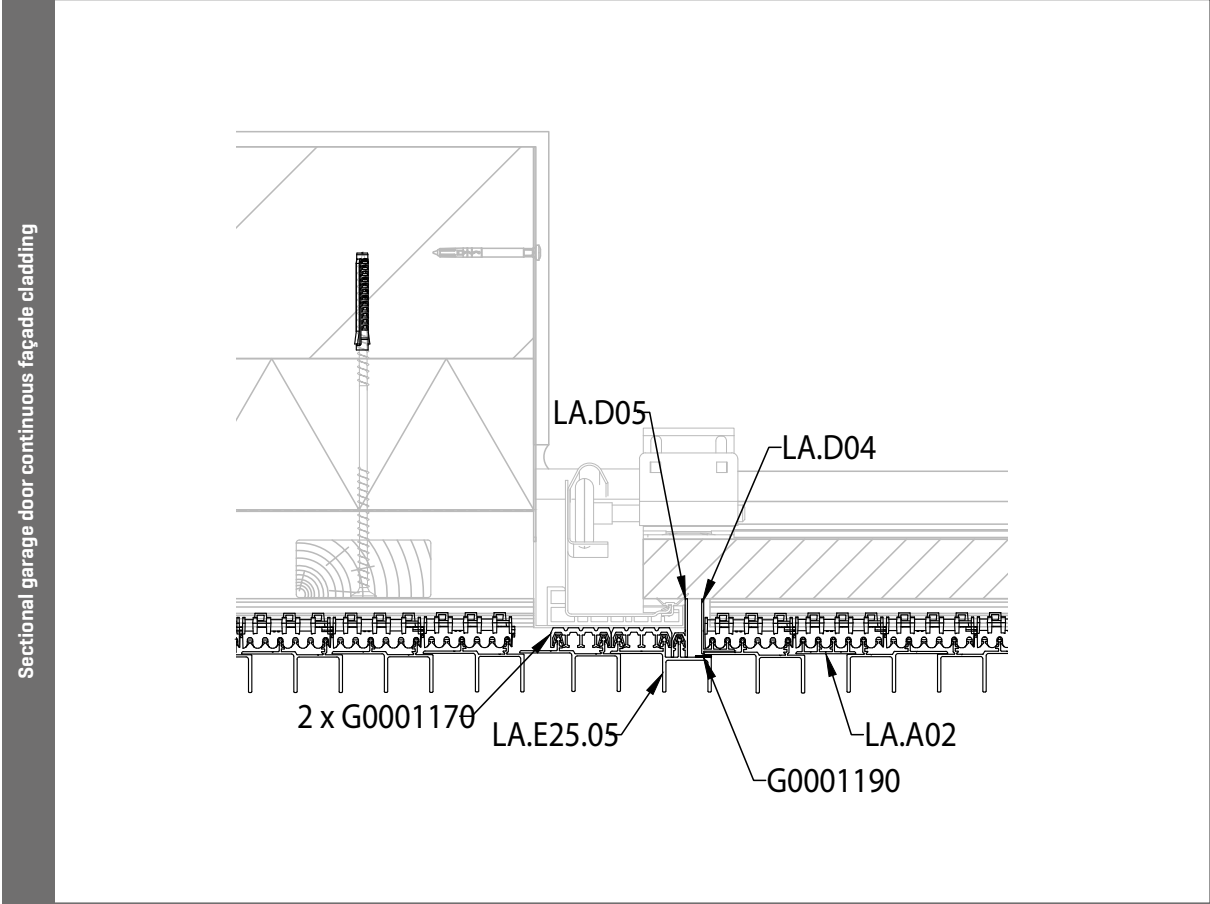
LINARTE® ARCHITECTURAL DRAWINGS

9B. SECTIONAL GARAGE DOOR UNDER WALL



See glossary on p. 103

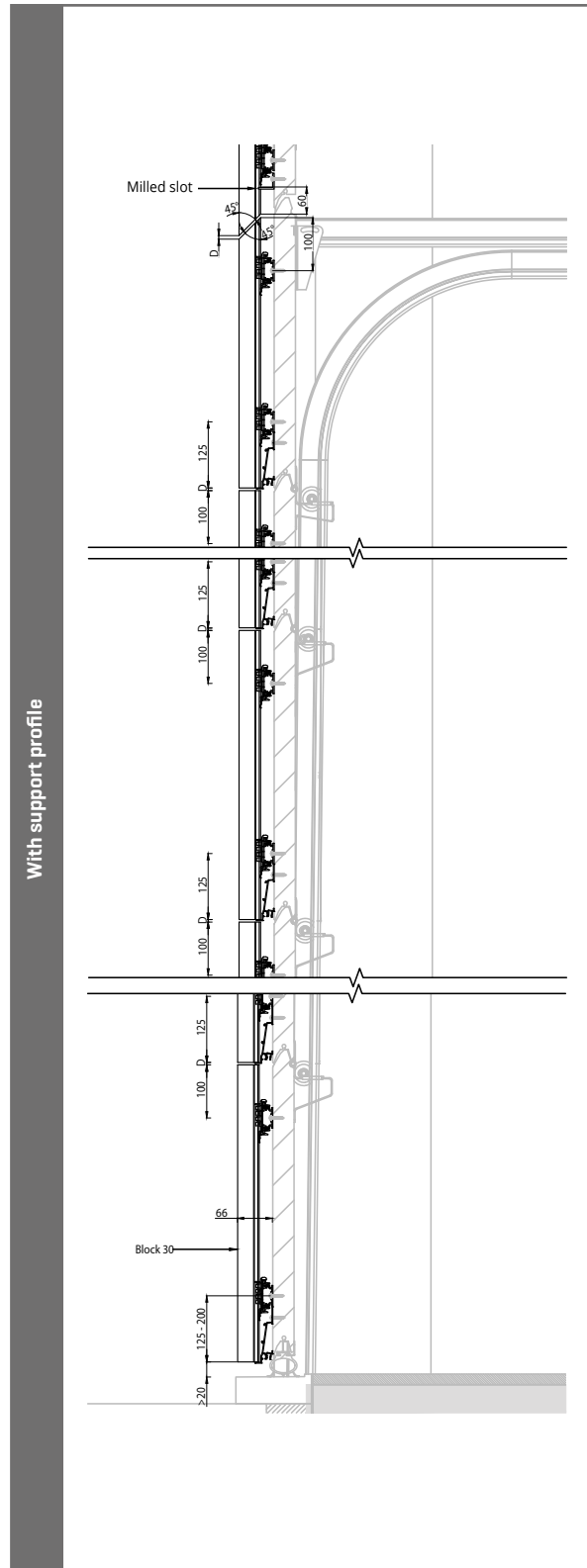
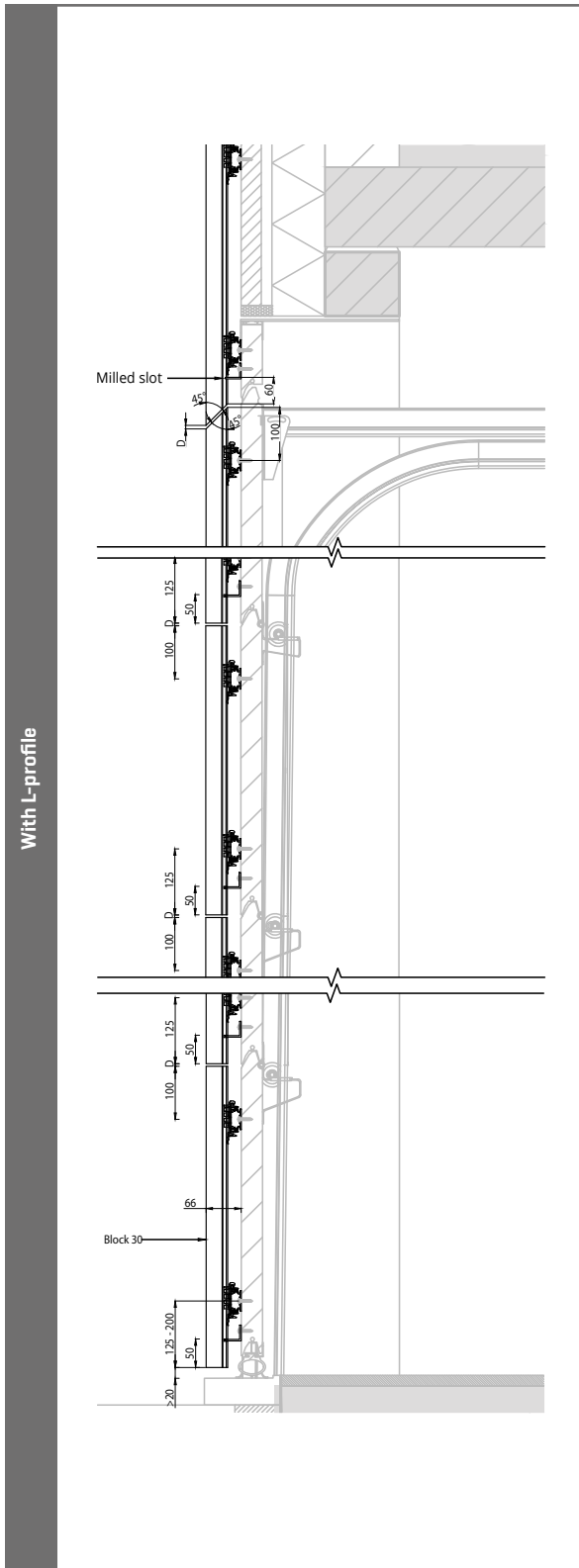
10A. SECTIONAL GARAGE DOOR CONTINUOUS FAÇADE CLADDING



See glossary on p. 103

LINARTE® ARCHITECTURAL DRAWINGS

10B. SECTIONAL GARAGE DOOR CONTINUOUS



See glossary on p. 103



WARRANTY

All of the materials we use are of high quality and have been modified for the intended purposes.

As manufacturer, we guarantee:

- 10-year* warranty on all defects arising from normal use and maintenance.
- 2-year warranty on the motorisation and electronic operating system.
- 10-year warranty on the gloss of the coated profiles.



The warranty includes the supply of replacement parts, to be assembled on site by the installer (possibly with the assistance of a Renson Sunprotection-Screens technical employee). The assembly costs (travel + hourly rate) are not covered by this guarantee.

The guarantee period starts on the date of production and applies only to the product itself, and not to the installation of it.

The warranty can only apply if the product is used and maintained in accordance with the instructions contained in the manual. The guarantee lapses if the product is used incorrectly or abnormally.

** See our warranty terms and conditions.*



MAINTENANCE

Your façade cladding is exposed to wind and weather, day in and day out. If you want to continue to enjoy your Renson® façade cladding, we recommend regular maintenance once or twice a year. As a result, the façade cladding will last longer.

Easy maintenance with the Renson® Maintenance Set

The following matters are important in this respect:

- The cladding is made of powder coated aluminium. Annual cleaning with the **Renson Maintenance Set** products ensures years of intense colour retention and provides extra protection against acid rain, sea air, and UV rays. In coastal areas and wooded areas, maintenance is recommended at least twice a year.
- The **Renson 'Clean'** is a concentrated product with strong cleansing and degreasing properties for the most common natural contaminants, such as dust, fat deposits, grease stains, moss, insect traces, etc.
- This product is not comparable to most cleaning products. Due to its deep processing, the dirt is, as it were, 'lifted'. This product can also be used for cleaning polyester screen roofs and vertical fibreglass screens.
- After cleaning, protect the aluminium structure with **Renson 'Protect'**.
- This leaves behind a protective film that allows the surface to be cleaned afterwards with a simple swipe and a minimum of **Renson 'Clean'**. It protects the aluminium against acid rain, sea air, UV rays, and thus ensures that the intense colour is retained.
- Do not use both products in full sun or warm weather. Quick drying of the product may leave stains on the structure or screen. Do not use corrosive or harsh products, scourers, or other scouring products. Do not use high-pressure equipment under any circumstances.



Renson® Maintenance Set

FAQ AND TIPS

Can a Linius wall also be installed vertically?

Yes, that is possible, but keep in mind that the view from left to right is different from right to left. Opt for the closed blade. For vertical lines, we recommend you use the Linarte system.

Can a Linarte wall also be installed horizontally?

No. The clips cannot be loaded in the other direction.

Are different LED colours available?

Both direct and indirect LED lighting is only available in warm white light.

How long does it take to install the Linarte façade cladding?

This depends on the circumstances in which the façade cladding is installed, edge finishes, corners, and the number of inserts. Calculate for the wall with profiles [excl. options] at 4 m² per hour with 1 man for easily accessible walls with the direct installation system, including insulation and vapour barrier.

Fire safety Linius

Aluminium, whether or not anodised, is on the list of non-combustible products and therefore has the best possible classification A1.

Fire safety Linarte

Linarte is fire class B-s1, d0 certified, in accordance with NEN-EN 13501-1, provided that each profile is secured to the mullion by means of a fire clip.

For your information:

Smoke production

For the development of smoke, a distinction is made between three classes:

- s1: Low smoke production;
- s2: Average smoke production; s3: High smoke production.

Burning droplets and pieces

Burning droplets and pieces are an immediate danger to people [e.g. rescue workers] and to the emergence of new hotbeds in other places. Here, too, a distinction is made between three classes:

- d0: No production of burning pieces;
- d1: Pieces burn for less than 10 seconds;
- d2: Pieces burn longer than 10 seconds.

Specifically with regard to fire safety, national laws and/or standards usually apply.

E.g. Belgian regulations.

On the basis of this class, it can be determined to what height the cladding can be applied.

- Belgium: Royal Decree of 04/04/2003: basic standards for the prevention of fire and explosion - NOT applicable to single-family houses and low buildings with a surface area smaller than or equal to 100 m² and with a maximum of 2 floors.
- The requirements imposed on façade materials vary according to building height and building use. Extract from TVN 243 of the WTCB: According to the revision of this appendix 5 [8] [available on the website of the WTCB's Fire Prevention Standards Antenna: www.normen.be/brand], which should soon be published in the Belgian Official Gazette, façade cladding must have at least the following fire reaction class:
 - for low buildings [with a height of less than 10 m]: D-s3, d1
 - for medium and high buildings [over 10 m and 25 m respectively]: B-s3, d1.

Up to what temperatures can you use Linarte?

Linarte has been tested at temperatures from -20°C to 80°C [limitation of climate room].

WHY RENSON®?

Renson® sets the bar high and is always one step ahead of the future. And you can benefit from that. Because you don't just find Renson by chance.

You go for Belgian quality

You are guaranteed that each element is produced sustainably according to the strictest quality requirements. This allows you to enjoy your investment for an extra-long time. Designed & Made in Belgium.



You benefit from innovation

Do you like being on the edge of the latest technologies? So do we. Our extensive R&D team continuously develops new products and possibilities. Before our products enter the market, they are subjected to thorough endurance tests. At Renson®, you always choose the best and you know it works.



You prefer 100% customisation

We speak your language. Thanks to its extensive product range, Renson® offers a ready-made solution according to your situation, your taste, your needs, and your budget. Our specialists will assist and guide you through all the possibilities.



You believe in the power of communication

Not only do we have the know-how, but we also share it. For example, you can enter our EXIT 5 showroom at no obligation, find us at the most important (inter)national trade shows, and our website offers the latest news and technical information. Do you have an urgent question? Feel free to contact us by phone.



You're choosing trust

You're choosing a reliable partner with tons of experience, that is also financially sound. Since it was founded in 1909, Renson® has remained a family business with entrepreneurial spirit, perseverance, and dynamism at its heart.



You're choosing experts in sun protection and ventilation

Renson® relies on a powerful and very extensive network of dealers. They are all professionals with years of experience. There is always a Renson® specialist in your area who speaks your language. Thanks to continuous training, they stay up to date with the latest products and techniques.



You're not alone

Renson® is committed to advising you, from start to finish. And it doesn't stop with a perfect installation because you can count on the expertise of our professionals until long after that.





RENSON® ACADEMY

Why?

The proper functioning of our products depends not only on the quality but also on the correct assembly and adjustment by the installer. As a manufacturer, we make sure that these installers do a good job.

How do we do that?

Installers receive thorough technical training in our training centre. Our experienced trainers show them how to assemble everything correctly.

The result?

Well-functioning systems that ensure the comfort and health of the residents and meet all technical and quality requirements.

More info?

www.renson.be/training

RENSON® PRE- & AFTERSALES

Why?

A specific project? We will work with you to find a suitable solution. You can also contact us if you have any questions about the installation.

How do we do that?

A team of technically skilled employees are at your service with an appropriate answer to all your questions.

The result?

A suitable solution for every project and an excellent after-sales service.



GLOSSARY

Anodisation

Anodising is one of the most widely used surface-treatments for aluminium. Anodising is an electrolytic process in which the natural tendency of aluminium to form an oxide film on its surface is reinforced by an electrolytic process. In this process, the work piece is switched as an anode. The resulting coating has protective, decorative, and functionally better properties.

Multicolour

You can combine different colours to create your façade wall. There is a surcharge for each additional colour.

Monocolour

With monocolour, all visible aluminium profiles are coated in the same colour.

Powder coating

Powder coating (or anodising) is an electrostatic dyeing process in which a negatively charged powder is sprayed with compressed air onto a positively charged work piece. As a result, the powder remains attached for a long time, after which it is melted or anodised in an oven. Powder coating is an environmentally friendly process because no solvents are released during the coating process and no chemical additives are needed to bond the powder to the aluminium profiles.



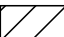

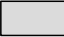




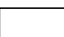
Pre-anodisation

Pre-anodising is a pretreatment that protects aluminium profiles against aggressive environments such as coastal areas, heavy industries, etc. It is a thin, unsealed anodising layer, which is applied separately in an anodising line for the powder coating, thus avoiding filiform corrosion. After pre-anodising, the profiles should be treated very carefully and processed quickly at the powder coating line. However, the profiles cannot be coated immediately and without further treatment. This means that the quality of pre-anodising cannot be guaranteed. That is why we do not offer this pre-treatment. However, Seaside Quality A, which is applied as standard, already offers excellent protection against aggressive environments.

Seaside Quality A


Seaside Quality A is a method of pre-treatment on the powder coating line in which at least 2 g/m² is stained before powder coating. This additional pre-treatment protects aluminium profiles against aggressive environments such as coastal areas, heavy industries, etc.

Renson® façade cladding undergoes a Seaside Quality A pre-treatment as standard.

	Masonry / Rapid building brick
	Masonry outside
	Wood
	
	Unreinforced concrete
	Thermal insulation (D)
	Filling insulation
	Aerated concrete/cellular glass
	Plywood/Fibreboard
	Plaster/gypsum board







Be inspired in our showroom EXIT 5 in
Waregem along the E17.

EXIT 5

EXPERIENCE, INNOVATION & TECHNOLOGY @ RENSON

WE WILL GLADLY HELP YOU!

Our head office – the elegant building designed by the late architect Jo Crepain that has been our company's calling card for years – has been renovated. The space underneath the building was equipped with an imposing glass façade. Behind that façade, a new 'Customer Centre' was created with reception rooms for clients, meeting rooms, and an auditorium where large groups of more than 300 people can attend presentations. This auditorium can be split up into three separate spaces for smaller groups.

The project's eye-catcher will be the new 1,250 m² showroom where both professional clients and customers are welcome. In addition to being a showroom for Renson®'s various innovative solutions and concepts, this space should become a knowledge centre, where customers can turn to with questions about ventilation, heating, shading, ventilative cooling, acoustics, interior, etc. In short: everything to provide the house with the necessary comfort. There is also the possibility to see the solutions in reality in nearby model homes.

For more information about the network of Renson® ambassadors, please visit our website: www.renson.eu

RENSON®: YOUR PARTNER IN VENTILATION, SUN PROTECTION, AND OUTDOOR CONCEPTS

- **Creating healthy spaces**

With experience dating back to 1909, we develop energy-efficient total solutions that provide healthy and table indoor environments. Our remarkable head office, built according to the Healthy Building Concept, perfectly reflects our corporate mission.

- **No speed limit on innovation**

A multidisciplinary team of more than 90 R&D employees continuously optimises our products and develops innovative total concepts.

- **Strong in communication**

Contact with the customer is of the utmost importance. Our own exterior sales team, with more than 100 members of staff worldwide and a strong international distribution network, is available to advise you on-site. EXIT 5 in Waregem also gives you the opportunity of personally experiencing our products and provides continuous training to our installers.

- **A reliable partner in business**

Thanks to our environmentally friendly and modern production facilities [including automatic powder-coating installation, anodisation unit, PVC injection moulding, mould-making], with a total surface area of 95,000 m², we can always guarantee optimal quality and service to our customers.





RENSON® Headquarters
Maalbeekstraat 10, IZ 2 Vijverdam, B-8790 Waregem, Belgium
Tel. +32 56 30 30 00
info@renson.eu
www.renson.eu

