



GORILLA PUMP STATIONS

Further and Faster

Fighter Grinder Pump

A powerful grinder pump designed for heavy-duty wastewater applications, including whole-of-house systems. Its brushless DC motor provides more torque than AC units, with added benefits of lock rotor protection and constant speed under load.



Kitchen Cloth



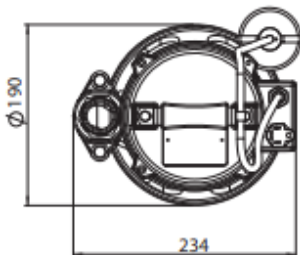
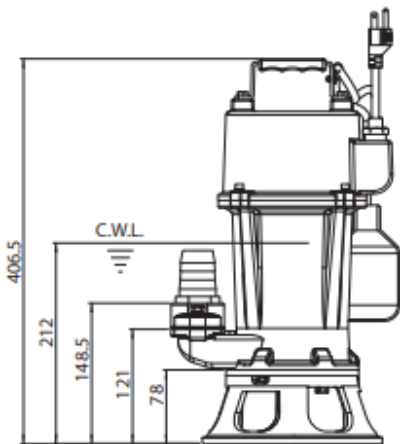
Wet Wipes



T-Shirt



Nitrile Gloves



Power	230V, 4.0 Amps
Motor	0.8HP, 600w brushless DC 'grinder-type' motor
Liquid Temp. Range	0-40 Celsius
pH Range	6-8
Max Immersion Depth	7m
Outlet Size	32mm
Materials	Cast Iron (Pump Body)
Certification Standards	AS/NZS 60335.1:2020 AS/NZS 60335.2.41:2013 +A1
Automatic Operation	Via Float-Switch
Replaceable Cutter and Plate	Replace every six months for commercial use, every two years for domestic use.
Warranty Period	Two Years
Performance	120L/m @ 5m 110L/m @ 7m 100L/m @ 9m 95L/m @ 10m 10m Shutoff