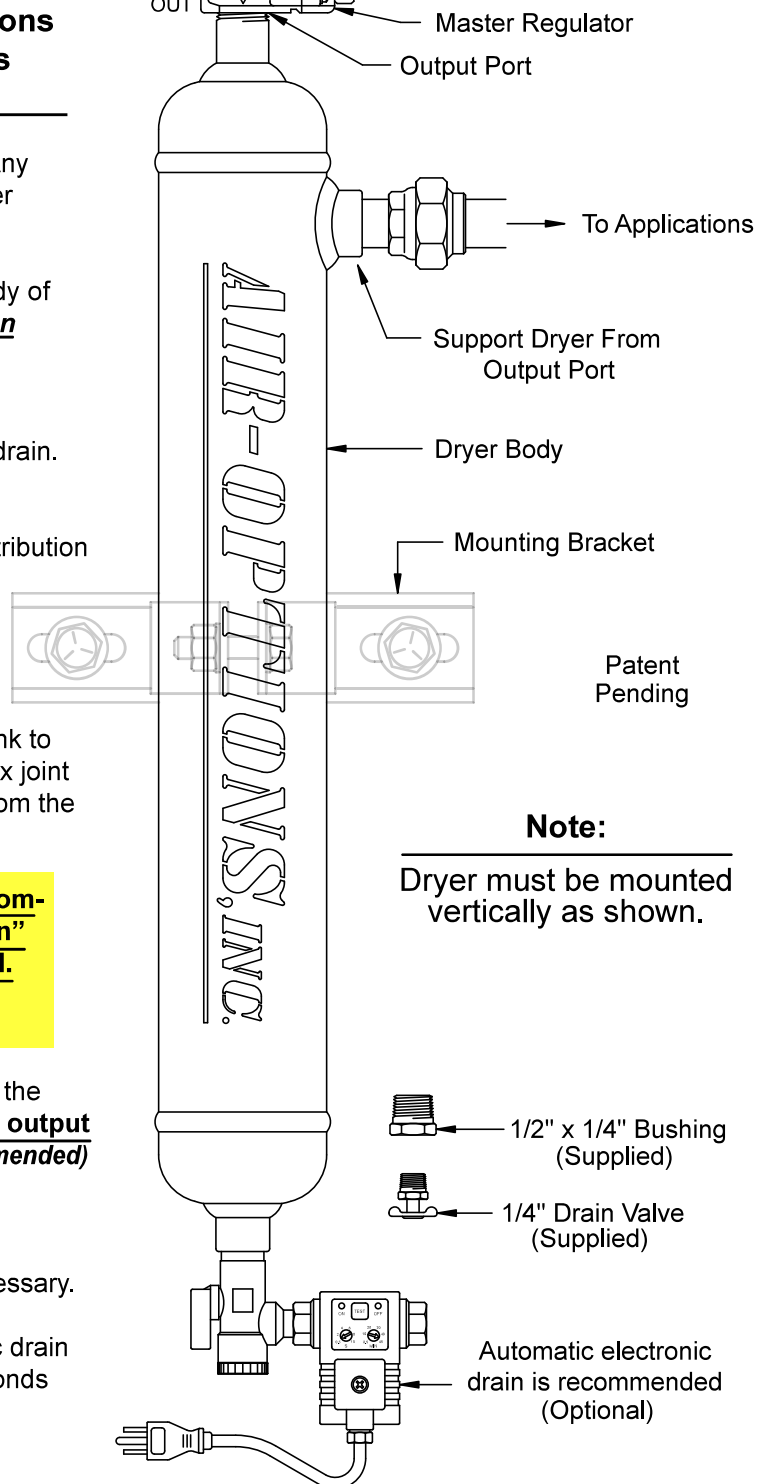


## Installation Instructions for Air Options JT Series Compressed Air Dryers

1. Unpack dryer and inspect for damage. Any damage should be reported to the shipper immediately.
2. Assemble the master regulator to the body of the dryer as shown. **Note Flow Direction**
3. Install bushing and drain valve.  
  
Or: Install optional automatic electronic drain.  
**Recommended**
4. Connect and support the dryer to the distribution system via the output port.  
  
Or: support the dryer with the optional wall mount. **Recommended**

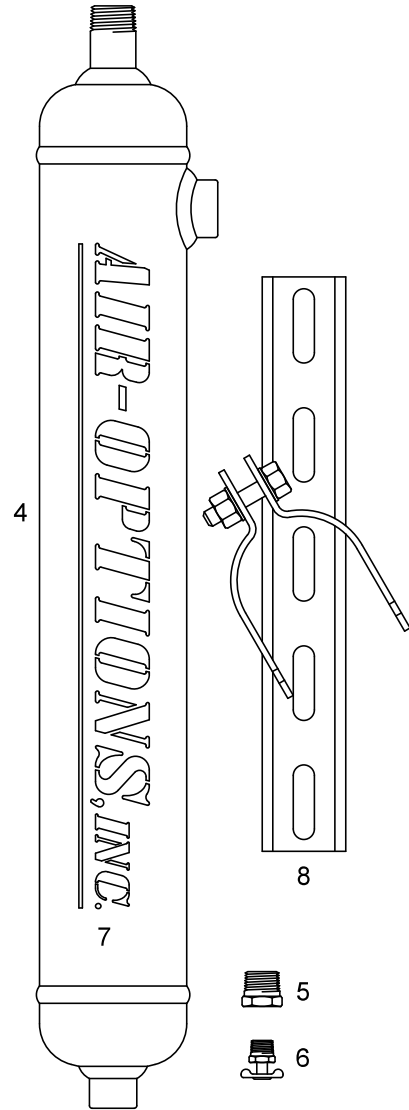
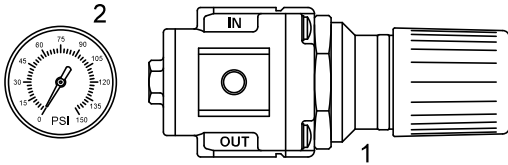
5. Connect the output of the compressor tank to the input of the master regulator. Use flex joint or heavy duty hose to isolate the dryer from the compressor vibration. **Recommended**
6. **Adjust the "Cut Off" pressure of the compressor to 175 PSI. Adjust the "Cut On" pressure of the compressor to 150 PSI.** Refer to your compressor manual for this procedure.
7. Using the pressure adjustment knob and the output pressure gauge, **adjust the dryer output pressure to 90 - 125 PSI. (100 PSI Recommended)**
8. Dryer is now in service.
9. Drain trap daily or more frequently if necessary.

Or if **recommended** automatic electronic drain is used: Adjust the open time to 2-5 seconds and the interval time to 30-45 Minutes.



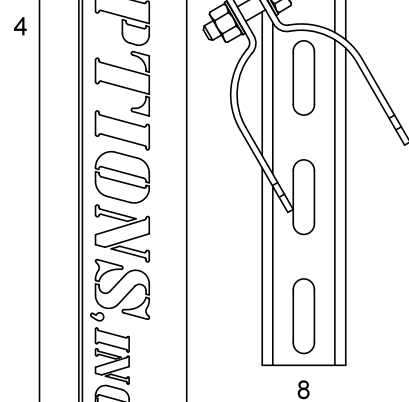
### JT-25 (25 SCFM)

Item	Description	Part Num.
1	1/2" Master Regulator	50-PR-MR
2	2" 160 PSI Rear Mount Gauge	PG-160-25
3	Automatic Electronic Drain (Optional)	EAD-25-120
4	Body	JT-020022
5	1/2" x 1/4" NPT Bushing	na
6	1/4" MNPT Drain Valve	09432-04
7	Label (Small)	DRY-10026
8	Mounting Bracket	MB-25-12



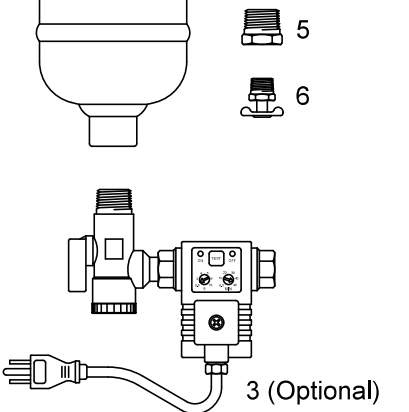
### JT-40 (40 SCFM)

Item	Description	Part Num.
1	3/4" Master Regulator	75-PR-MR
2	2" 160 PSI Rear Mount Gauge	PG-160-25
3	Automatic Electronic Drain (Optional)	EAD-25-120
4	Body	JT-040022
5	1/2" x 1/4" NPT Bushing	na
6	1/4" MNPT Drain Valve	09432-04
7	Label (Small)	DRY-10026
8	Mounting Bracket	MB-40-12



### JT-80 (80 SCFM)

Item	Description	Part Num.
1	1" Master Regulator	100-PR-MR
2	2" 160 PSI Rear Mount Gauge	PG-160-25
3	Automatic Electronic Drain (Optional)	EAD-25-120
4	Body	JT-080022
5	1/2" x 1/4" NPT Bushing	na
6	1/4" MNPT Drain Valve	09432-04
7	Label (Large)	DRY-10026
8	Mounting Bracket (2 Sets)	MB-80-12



### JT-120 (120 SCFM)

Item	Description	Part Num.
1	1-1/2" Master Regulator	150-PR-MR
2	2" 160 PSI Rear Mount Gauge	PG-160-25
3	Automatic Electronic Drain (Optional)	EAD-25-120
4	Body	JT-120022
5	1/2" x 1/4" NPT Bushing	na
6	1/4" MNPT Drain Valve	09432-04
7	Label (Large)	DRY-10026
8	Mounting Bracket (2 Sets)	MB-120-12



Air Options, Inc  
P.O. Box 35984  
Houston, Texas 77235-5984

www.Air-Options.com  
www.JTDryers.com  
Ph.: 713-721-9619