

Back 40 Rancher Bodies

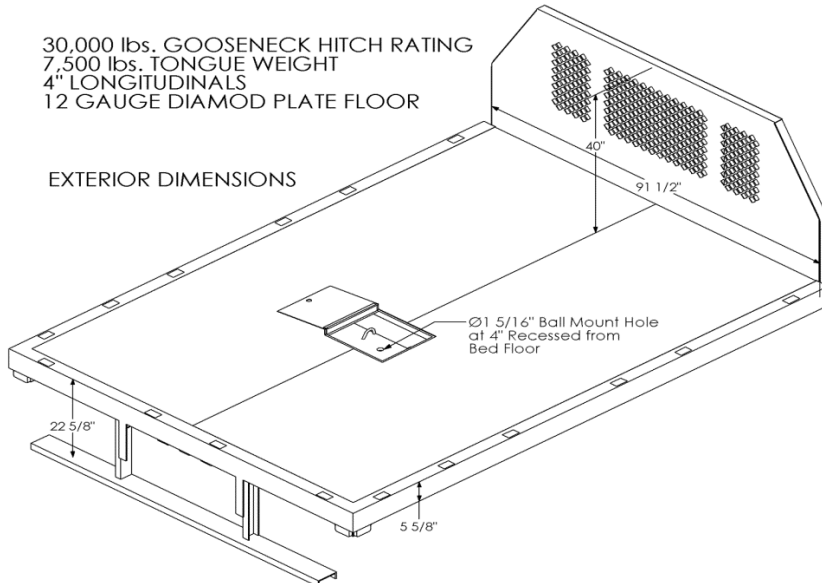


FORD RANCHER BODY DIMENSIONS

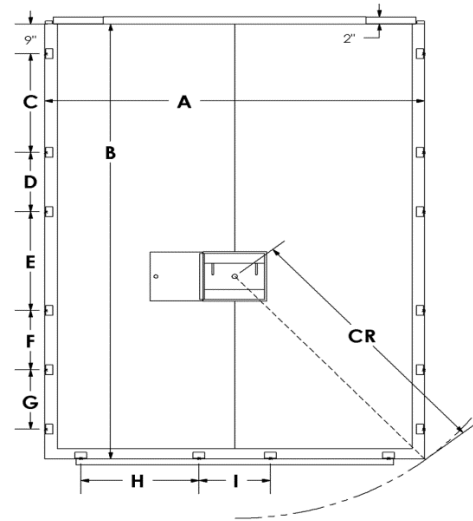
Last Updated 09/20/2018

30,000 lbs. GOOSENECK HITCH RATING
7,500 lbs. TONGUE WEIGHT
4" LONGITUDINALS
12 GAUGE DIAMOND PLATE FLOOR

EXTERIOR DIMENSIONS



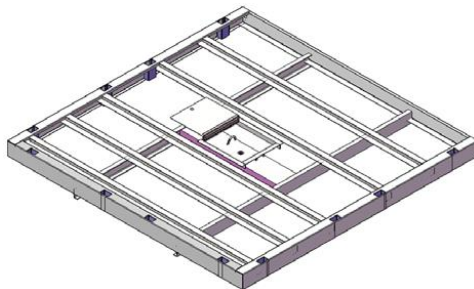
TOP VIEW DIMENSIONS



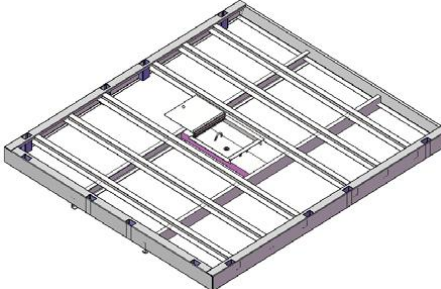
CHEVY/GMC RANCHER BODY GENERAL DIMENSIONS (IN INCHES)											
SIZE		A	B	C	D	E	F	G	H	I	CR
HTRR9684	8' X 7'	84 1/4	96	29 3/4	18	29 3/4	-	-	24	18	65 1/4
HTRR9696	8' X 8'	95 3/4	96	29 3/4	18	29 3/4	-	-	29 3/4	18	69
HTRR10896	9' X 8'	95 3/4	108	36	18	36	-	-	29 3/4	18	75 1/2
HTRR13296	11' X 8'	95 3/4	132	30	18	30	18	18	29 3/4	18	75 1/2

(All Platforms Shown Below Without Sheet Metal Floors)

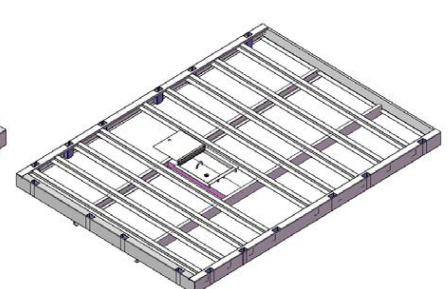
8ft. Platform



9ft. Platform



11ft. Platform



Back 40 Rancher Bodies

11'L x 8'W for 84" CA DRW			
9'L x 8'W for 60" CA DRW			
8'L x 7'W for 56" CA SRW			
BACK 40 RANCHER	M.S.R.P.	M.S.R.P.	M.S.R.P.
Flatbed with Diamond Plate Top Deck and Trap Door for Gooseneck Hitch	HTRR09684 \$5,928	HTRR10896 \$6,227	HTRR13296 \$6,448
UNDERBED BOXES ¹			
UB241814 (24"Lx18"Hx14"D) Front or Rear	\$685	N/A	N/A
UB241818 (24"Lx18"Hx18"D) Front or Rear	N/A	\$685	\$685
UB341814 (34"Lx18"Hx14"D) Front	\$685	N/A	N/A
UB361814 (36"Lx18"Hx14"D) Front	\$685	N/A	N/A
UB361818 (36"Lx18"Hx18"D) Front or Rear	\$685	\$685	N/A
UB481818 (48"Lx18"Hx18"D) Front	N/A	\$750	\$750
UB601818 (60"Lx18"Hx18"D) Front	N/A	N/A	\$750
LOK-AOK() Harbor ALL-ONE-KEY Door Locks (keyed at our factory to match the vehicle ignition Key) for boxes-priced per lock	\$45/ LOCK	\$45 / LOCK	\$45 LOCK
MTIREUB Spare Tire Carrier Mounted Under Flatbed Deck In Lieu of Front Under Deck Box (Only Location That Works)	\$939	\$939	\$939
MACTIRE Spare Tire Carrier Mount Behind Bulkhead Only. Not Attached to Compartment Due to Potential Water Leaks in Compartment	\$330	\$330	\$330
RECEIVERS, HITCHES & OTHER OPTIONS			
M7/4PRONG	Standard 7/4-Prong Trailer Connector		\$339
M7PRONG	Standard 7-Prong Trailer Connector		\$341
MALARM	Back-Up Alarm (Preco 380P or Equivalent)		\$389
MCEB	Electric Trailer Brake Connector		\$545
MHITCH01	Kerins K200 & K750 Multi Hitch and Adaptor – Requires MREC-LAND		\$318
MLSBRB-LED	Rotating LED Strobe on Mounting Pad i.e. Mounts on Rack or Headboard Only, Not Roof. Lighted Cab Switch Included. ECCO 7965 LED Light, or Equivalent.		\$678
MLSBRB-LED-POLE	Rotating LED Strobe with Mounting Pad on Separate Pedestal Pole. Lighted Cab Switch Included. ECCO 7965 Light, or Equivalent.		\$780
MLTBAR C	Light Bar Mounted on Separate Rack Behind Cab. Wired Through Back Bottom of Cab, Not Through Headliner. Whelen TAC F85LH, or Equivalent.		\$2,814
MREC-LAND V ²	Class V Receiver – 2 ½" Tube; A-Braced to Frame (15,000 lb. Gross Trailer Wt., 1,500 lb. Tongue Wt.) – 60" & 84" CA Chassis Only		\$723
MREC-LAND VI 2.5 ²	Class VI Receiver – 2 ½" Tube; A-Braced to Frame (20,000 lb. Gross Trailer Wt., 2,000 lb. Tongue Wt.) – 60" & 84" CA Chassis Only		\$829
MRUB-RAIL	3/8 x 2" Flatbar Rub Rail Mounted Along Each Side of Flatbed Rail (Excludes Rear Sill)		\$829
¹ All Underbed Boxes Must be Included w/ Flatbed Order. Gates & Boxes Ordered After Initial Order Will be Substantially Higher in Price			
² Reference Vehicle GCWR for Specific Vehicle Weight Limitation			

Back 40 Rancher Bodies

BACKUP CAMERAS

10,000 LB GVWR AND UNDER (MUST CHOOSE ONE)

10,001 LB GVWR AND OVER (OPTIONAL)

BACKUP CAMERAS ARE REQUIRE BY FMVSS 111 ON ALL TRUCKS 10,000 GVWR OR UNDER MANUFACTURED 5-1-2018 OR LATER

MBCK-UP-CAM-LB1	For Pickup Bed Delete or Chassis Cab WITH Backup Camera Ready, and Factory Supplied Camera and Harness.	\$188
MBCK-UP-FD-872R ¹	For Pickup Bed Removal (Factory Camera Can Not Be Reused).	\$335
MBCK-UP-FD-872D ¹	For Pickup Bed Delete or Chassis Cab ONLY WITH Backup Camera Ready (No Camera and Harness Supplied).	\$335
MBCK-UP-CAM-FORD1 ¹	For Pickup Bed Delete or Chassis Cab WITHOUT Backup Camera Ready, and Factory Supplied Camera and Harness, BUT Has Factory Monitor in Dash or in Rearview Mirror.	\$589
MBCK-UP ²	For Pickup Bed Delete or Chassis Cab WITHOUT Backup Camera Ready, Factory Supplied Camera and Harness, nor Factory Monitor in Dash or in Rearview Mirror.	\$675

¹ Aftermarket Camera Selected by Harbor Based On Capability of Meeting FMVSS Will Be Used.

² Aftermarket Camera and Monitor Selected by Harbor Based On Capability of Meeting FMVSS. Monitor Will Be Mounted Near Top Center of Dash.

Buddy's Holler Bodies

For Hauling Supplies to Your Back 40 Paradise...

HARBOR'S INDUSTRY-BEST FEATURES OFFERED ON 2017 MODELS

- MANUFACTURED SPECIFICALLY FOR MOUNTING WITH B&W TURNOVER HITCH THAT IS BOLTED TO FRAME. INCLUDES CUT-OUT IN FLOOR FOR TURNOVER HITCH.
- RIBBED TOPS (NON POP-TOP) WITH REAR COMPARTMENT THAT IS CANTED DOWNWARD
 - ❖ TURNING RADIUS NOT COMPROMISED IF ORDERED WITHOUT CANTED REAR COMPARTMENT BECAUSE SIDE HEIGHT IS IDENTICAL TO A TRUCK BED
 - ❖ NOTE: V-NOTCH IN TAILGATE NO LONGER OFFERED. NOT NECESSARY WITH UPDATED DESIGN
- FULL 49" FLOOR TO CARRY ALL STANDARD MATERIALS EVEN FOR 56" & 60" CA TRUCKS
- HARBOR STANDARD PUSH BUTTON LOCKS WITH VISIBLE RED BAND TO INDICATE WHEN UNLOCKED
- GAS SHOCK DOOR STAYS ON ALL VERTICAL DOORS (BEST IN INDUSTRY!)
- TREDBRITE ALUMINUM GRAVEL GUARDS FOR PROTECTION AGAINST ROCK CHIPS (BEST IN INDUSTRY!)
- STANDARD 8" RECESSED STEP BUMPER (BEST IN INDUSTRY!)
- BEST OF ALL...HARBOR QUALITY!!!

Plus These Industry-First Features by Harbor

- **Exclusive NeXtGen Weather Shield protection to weather your toughest driving conditions** – Our unique design consisting of 2 neoprene door seals, 1-piece compartment backwrapper with integral roll for pop-top lids, waterproof gaskets and self-sealing rivets stops water from leaking in around doors, lids, locks and door hinges.
- **Lock-tight shelving keeps your tools organized even in harsh off-road settings** – Adjustable shelves lock into place preventing tools from dumping. There are no old-fashioned shelf tabs that shear off due to shelf vibration.
- **Best rust and corrosion busters!** – All electro-galvanized sheet metal construction; finest cleaning and phosphate pre-treatment system prior to painting; BASF's finest automotive finish coat; bumpers and racks powder coated for extra durability; piano hinge and pin on cargo bed enclosure door, conduit box door and rear access doors all stainless and rust-proof; all expanded metal parts hot-dip galvanized.
- **Toughest locking devices to protect the tools of your livelihood** – Silky smooth 3-point locking system; automotive quality Harbor locks with water resistant dust covers, double-bit keys, all locking devices attached with all stainless steel rivets to resist unwanted break-ins without special tools; add Harbor's NeXtGen MasterLock option for additional protection and peace of mind.

Buddy Holler Body

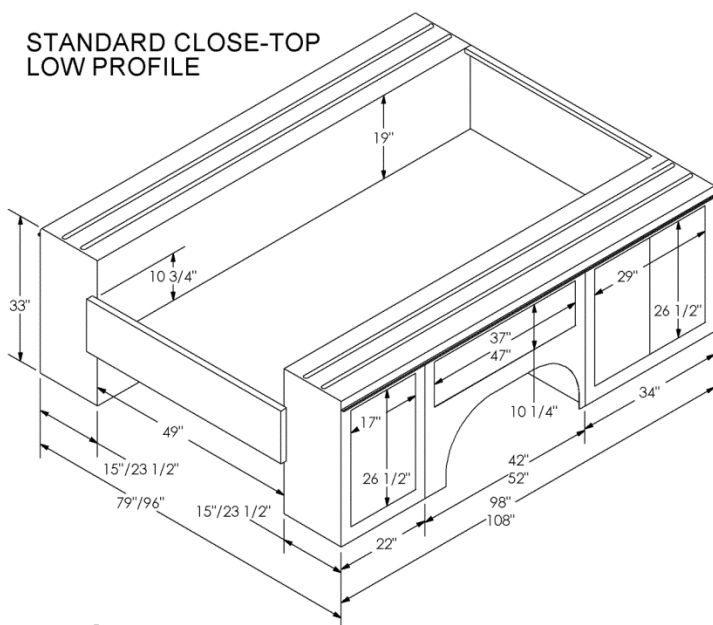
For Hauling Supplies to Your Back 40 Paradise... 8-ft.SRW w/ Canted Rear Compartment And Step



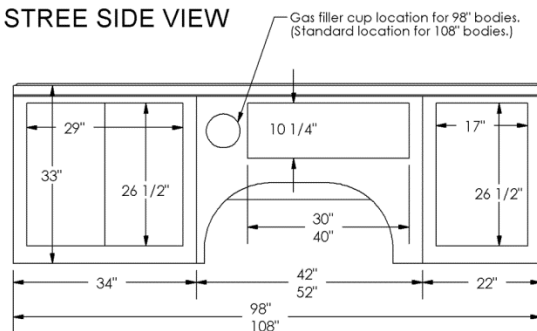
FORD 8-FT & 9-FT HAULER DIMENSIONS

Last Update: 09/20/2018

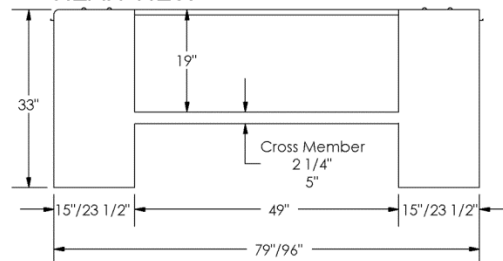
**STANDARD CLOSE-TOP
LOW PROFILE**



STREE SIDE VIEW



REAR VIEW



NOTE:

- 1) DOOR COMPARTMENT DIMENSIONS ARE THE CLEAR DOOR OPENING.
- 2) TOP DIMENSIONS ONLY APPLIES TO 8-FT BODIES, BOTTOM DIMENSIONS ONLY APPLIES TO 9-FT BODIES.
- 3) DIMENSIONS SHOWN WITH FORWARD SLASH ARE SRW/DRW.

Buddy Holler Body

**For Hauling Supplies to Your Back 40 Paradise...
8-Ft. Buddy Holler for F250/F350 56" CA SRW & DRW Trucks**

Application / Part Number	Body Profile	Body Length	Compt. Depth	Compt. Height	Floor Width	M.S.R.P.
8-FT. BODIES W/ CANTED REAR COMPARTMENT						
HTTXC098-1533A (w/ Ribbed Non-Flip Top Lids)	Low Profile-Canted Rear Compartment	98"	15"	33"	49"	\$10,101
HTTXC098-2333A (w/ Ribbed Non-Flip Top Lids)	Low Profile-Canted Rear Compartment	98"	23.5"	33"	49"	\$10,890
8-FT. BODIES W/ STRAIGHT REAR COMPARTMENT						
HTTXS098-1533A (w/ Ribbed Non-Flip Top Lids)	Low Profile-Straight Rear Compt. Top	98"	15"	33"	49"	\$9,577
HTTXS098-2333A (w/ Ribbed Non-Flip Top Lids)	Low Profile Straight Rear Compt. Top	98"	23.5"	33"	49"	\$9,879
STANDARD & OPTIONAL EQUIPMENT						
4X4	4x4 Reinforcement with 3/16" cross member					INC
Y08AWHITE	Paint Harbor White					INC
Z08/BRL(79/96)-08	Mount w/ Incandescent Lights & 8" Recess Bumper					INC
P01	P01 Tredbrite Aluminum Gravel Guards					INC
Z08/BRL79-08-LED	Mount, Standard w/LED Stop, Tail, Turn, Clearance & License Plate Lights (SRW Only)					\$205
Z08/BRL96-08-LED	Mount, Standard w/LED Stop, Tail, Turn, Clearance & License Plate Lights (DRW Only)					\$328
ADDITIONAL ACCESSORIES						
LOK-AOK-FORD (x 6)	Harbor ALL-ONE-KEY Door Locks (Keyed at Our Factory to Match the Vehicle Ignition Key)					\$202
MSTEP3	Rear Step Installed Curbside Rear for Easy Bed Access					\$389
MGRAB1	Grab Handle Mounted Curbside Rear (Same Side as Step) to Assist in Ingress and Egress of Bed Area					\$62
MALARM	Back-up Alarm					\$404
Y08RED ¹	Single Stage Non-Clear Coat F1 Red Only					\$1,845
Y08BLACK ¹	Single Stage Non-Clear Coat Harbor Black					\$3,144
Y08METALLIC ¹	Multiple Stage Clear Coat Metallic					-
Y8N	Pick-up Bed Credit for Standard 8-foot SRW Bed (NO DISCOUNT APPLIES)					(\$325)
Y8D	Pick-up Bed Credit for Standard 8-foot DRW Bed (NO DISCOUNT APPLIES)					(\$325)
¹ Perfect Color Match with Cab NOT Guaranteed						
BACKUP CAMERAS 10,000 LB GVWR AND UNDER (MUST CHOOSE ONE) 10,001 LB GVWR AND OVER (OPTIONAL)						
BACKUP CAMERAS ARE REQUIRE BY FMVSS 111 ON ALL TRUCKS 10,000 GVWR OR UNDER MANUFACTURED 5-1-2018 OR LATER						
MBCK-UP-CAM-LB1	For Pickup Bed Delete or Chassis Cab WITH Backup Camera Ready, and Factory Supplied Camera and Harness.					\$175
MBCK-UP-FD-872R ¹	For Pickup Bed Removal (Factory Camera Can Not Be Reused).					\$325
MBCK-UP-FD-872D ¹	For Pickup Bed Delete or Chassis Cab ONLY WITH Backup Camera Ready (No Camera and Harness Supplied).					\$325
MBCK-UP-CAM-FORD1 ¹	For Pickup Bed Delete or Chassis Cab WITHOUT Backup Camera Ready, and Factory Supplied Camera and Harness, BUT Has Factory Monitor in Dash or in Rearview Mirror.					\$588
MBCK-UP ²	For Pickup Bed Delete or Chassis Cab WITHOUT Backup Camera Ready, Factory Supplied Camera and Harness, nor Factory Monitor in Dash or in Rearview Mirror.					\$699
¹ Aftermarket Camera Selected by Harbor Based On Capability of Meeting FMVSS Will Be Used.						
² Aftermarket Camera and Monitor Selected by Harbor Based On Capability of Meeting FMVSS. Monitor Will Be Mounted Near Top Center of Dash.						

Harbor Truck & Van

WARRANTY

NEW BODY LIMITED WARRANTY

WHAT IS COVERED?

All Harbor Service Bodies, Harbor Platform Bodies, and Harbor Van Interiors (collectively “product”) during the Warranty Period (described immediately below).

Harbor Truck & Van (Harbor) warrants each product manufactured by Harbor to be free of defects in materials or workmanship for a period of three (3) years or 36,000 miles whichever comes first from the date the body is placed “in service”. Harbor warrants its factory applied primer and finish coatings and/or powder coat finish against material defects for a period of three (3) years or 36,000 miles whichever comes first from the date the body is placed “in service”. During this three (3) year 36,000 miles warranty period, Harbor guarantees its products to be free of rust-through perforation. The warranty applies when the product is properly installed by Harbor or one of its Service Centers or Distributors and is properly maintained.

The “in service” date shall begin on the earliest of the following dates: the date of purchase by the first owner/user or; one year from the date the product was manufactured by Harbor or; the date it was first used as a demonstrator vehicle. This warranty is subject to limitations and exclusions as listed in the sections below.

WARRANTY CLAIMS PROCEDURE

The owner shall immediately contact Harbor Customer Service (800-433-9452 Ext. 270 or customerservice@harbortruck.com) and provide a detailed description in writing with pictures showing and/or demonstrating the purported defect. The information must include the body serial number found on a plaque on the upper interior of the first driver (street) side compartment on the body or on the front rail of the platform body on the driver (street) side.

Harbor shall repair or replace, at its option, any factory manufactured and installed part that is deemed defective under normal use and when the product has been properly maintained in accordance with this warranty and Harbor’s OWNER’S MANUAL. The warranty repairs shall be performed free of charge for parts or labor. To assure warranty repairs meet the highest standards, Harbor reserves the right to perform all warranty repairs in-house or at one of Harbor’s authorized Distributors or Service Centers. Any warranty claim, for which repair is performed by truck dealers, customers or other third parties without Harbor’s express written permission in advance, shall be subject to rejection and the warranty voided. It is Harbor’s sole determination whether the product is defective in material or workmanship as claimed.

WARRANTY EXCLUSIONS

1. Parts, that upon inspection, are found by Harbor not to contain factory defects in material and workmanship
2. Warranty claim on any product where the vehicle is not the original vehicle on which the product is installed. Warranty claim on a vehicle damaged to such an extent that the owner or the institution financing, leasing or insuring the vehicle consider it uneconomical to repair it. This includes, but is not limited to a product titled as scrap, salvage or dismantled. Warranty claim to a product where the vehicle has been altered so the true mileage cannot be determined and where the mileage is a condition of the warranty.
3. Warranty claim for any part or accessory manufactured by Harbor Body that has been subjected to abuse, misuse, exposure to caustic acids or corrosive materials, fire, negligence, accident damage, collision or theft. Warranty claim for repair the need for which was caused by tampering, disconnection, improper adjustment, repair, or improper maintenance in accordance with the owner’s manual.
4. Warranty claim for fatigue or cracking of body structure due to abnormal stress caused by improper mounting, overloading, severe off-road applications, or twisting loads by a crane where the load exceeds crane/body capacity.
5. Any part or accessory that has been repaired by an unauthorized party without Harbor’s written permission where such repair is deemed by Harbor to have adversely affected the performance, reliability or stability of the part. Failures as a result of improper installation or adaptation of the body, van interior or special equipment by an unauthorized party.

Harbor Truck & Van

WARRANTY

6. *Parts or repairs for outside-manufactured accessories (e.g. cranes, lift gates, generators, compressors, pumps, welding machines, hydraulic pumps or reservoirs etc.) that are not manufactured by Harbor where these products are covered by their own manufacturers' warranties in effect at the time of delivery. A copy of an outside-manufactured accessory warranty, if provided to Harbor, has been included in your owners' packet. These are also generally available on line. Parts or repairs that are considered part of normal wear and tear to these outside-manufactured accessories by their manufacturers. Labor for removal or replacement of defectives parts or accessories not installed by Harbor.*
7. *Repairs for corrosion perforation (defined as penetration of rust creating a hole through the metal) due to poor care, exposure to caustic acids or corrosive materials, exposure to improper cleaning materials, external forces (such as stones, salt or equivalent, gravel, accidents, collisions or other forms of impact), or due to environmental conditions including "acts of nature", industrial fall-out, acid rain or location on an island surrounded by saltwater in a non-contiguous 48 state location like the Hawaiian Islands. Poor care is defined as external rust left unrepaired and later causing corrosion perforation due to neglect of vehicle care. Repair for corrosion perforation due to installation (or de-installation) of accessories by user, unauthorized party or Harbor Distributor/Service Center. In the latter case, the Distributor or Service Center would be responsible for the repair if the product is still in the eligible Warranty Period. Repairs for corrosion other than perforation are not covered.*
8. *Repairs of paint flaws caused by conditions such as industrial fallout, acid rain, "acts of nature", exposure to caustic acids or corrosive materials, exposure to improper cleaning materials, scratches, abrasions, dents, nicks, chips, failures on flexible components, failure of under coating, calking, and cracking of joints subject to tensional bending or movement. Normal paint aging conditions.*
9. *Damage or failure of wood floor on a platform body or other upfit including, but not limited to damage from moisture, weather or use of corrosive or caustic materials resulting in buckling, deterioration or damage to such wood which, in Harbor's opinion, is considered normal wear and tear. Harbor replacement costs for wood floors that are determined to be defective shall be limited to the following percentages: 100% first year; 25% second year; 10% third year.*
10. *Harbor shall not be liable for incidental damages including, but not limited to: rental reimbursement, loss of use, storage, inconvenience, lost time or lost pay, food and lodging, and telephone calls.*
11. *Conditions related to noise, vibration or harshness of ride that are considered normal.*
12. *Products purchased outside the continental U.S. and Canada.*

DISCLAIMERS

This warranty is the only express warranty made by Harbor, and Harbor's obligations are limited to those expressed in this warranty. Harbor makes no other warranties, express or implied, and disclaims all other warranties, including any implied warranty of merchantability or fitness for particular purpose.

Harbor shall not be liable to the purchaser, or any third party, for any direct or indirect, incidental or consequential damage or loss even if the potential for such damage or loss was disclosed in advance. Some states do not allow the exclusion or limitation of incidental or consequential damages, or how long an implied warranty lasts in which case these limitations may not apply. These rights may vary from state to state.

If the product is improperly installed, modified, misused, damaged or otherwise tampered with, the Harbor Warranty shall become null and void and shall lapse.

In no event shall any liability arising from the product exceed the amount of the proceeds received by Harbor pursuant to its sale.

Harbor reserves the right to make changes to its products at any time without incurring any obligation to make the same or similar changes on products previously built by Harbor.

No person is authorized to modify or add to the Harbor Warranty.

This Warranty shall be enforced and construed in accordance with the laws of the State of California.