

WorkMaster for Transit

For Ford Transit Chassis Cab



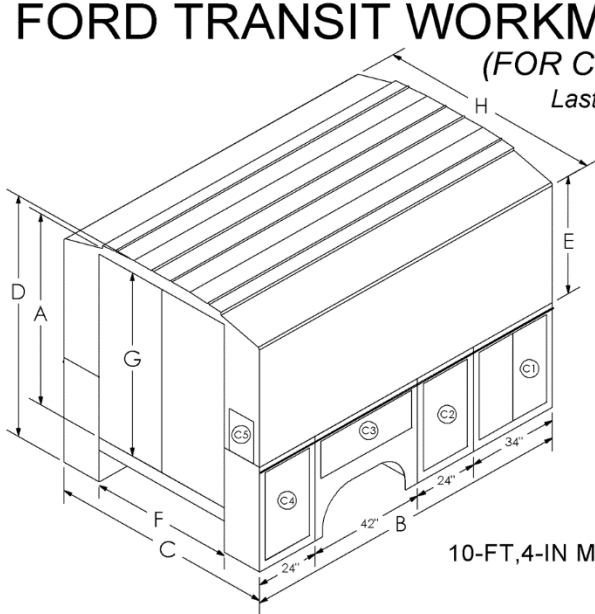
WorkMaster for Transit

Standard 74" Interior Height 10.4 ft. WorkMaster Body

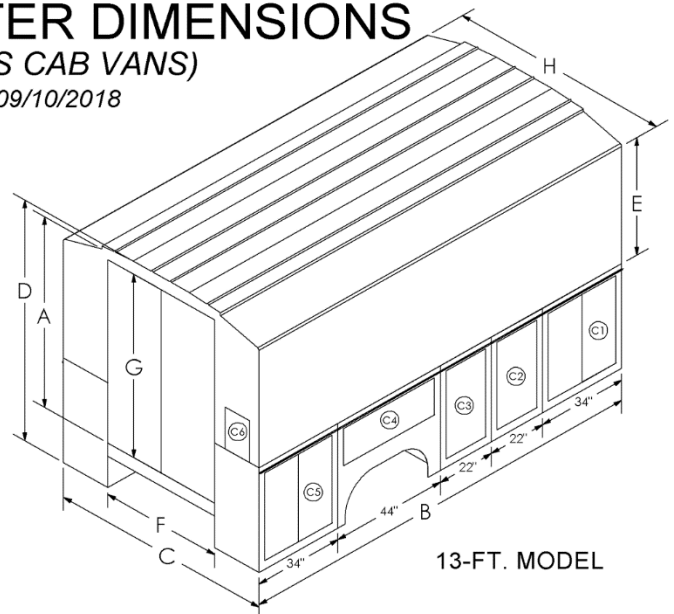


FORD TRANSIT WORKMASTER DIMENSIONS (FOR CHASSIS CAB VANS)

Last update: 09/10/2018



10-FT,4-IN MODEL



13-FT. MODEL

WORKMASTER BODIES SIDE PANELS	WORKMASTER GENERAL DIMENSIONS (INCHES)							
	A INTERIOR CLEAR HEIGHT	B OVERALL LENGTH	C OVERALL WIDTH	D OVERALL HEIGHT	E HEIGHT ABOVE BODY	F DOOR CLEAR WIDTH	G DOOR CLEAR HEIGHT	H WIDTH ABOVE BODY
HTWMTRANCC-124-15D-L (LOW-PRO)	60	124	84	78	32	54	56	84
HTWMTRANCC-124-19D-L (LOW-PRO)	60	124	84	78	32	46	56	84
HTWMTRANCC-124-15D-H (STRAIGHT)	74	124	84	92	46	54	70	84
HTWMTRANCC-124-19D-H (STRAIGHT)	74	124	84	92	46	46	70	84
HTWMTRANCC-156-19D-L (LOW-PRO)	60	156	84	78	32	46	56	84
HTWMTRANCC-156-19D-H (STRAIGHT)	74	156	84	92	46	46	70	84

WORKMASTER BODIES SIDE PANELS	WORKMASTER DOOR COMPARTMENT CLEAR OPENING DIMENSIONS (WxH, INCHES)					
	C1	C2	C3	C4	C5	C6
HTWMTRANCC-124-15D-L (LOW-PRO)	29 X 33 1/2	19 X 33 1/2	37 X 14 1/4	19 X 33 1/2	10 1/2 X 16	N/A
HTWMTRANCC-124-19D-L (LOW-PRO)	29 X 33 1/2	19 X 33 1/2	37 X 14 1/4	19 X 33 1/2	10 1/2 X 16	N/A
HTWMTRANCC-124-15D-H (STRAIGHT)	29 X 33 1/2	19 X 33 1/2	37 X 14 1/4	19 X 33 1/2	10 1/2 X 16	N/A
HTWMTRANCC-124-19D-H (STRAIGHT)	29 X 33 1/2	19 X 33 1/2	37 X 14 1/4	19 X 33 1/2	10 1/2 X 16	N/A
HTWMTRANCC-156-19D-L (LOW-PRO)	29 X 33 1/2	17 X 33 1/2	17 X 33 1/2	39 X 14 1/4	29 X 33 1/2	10 1/2 X 16
HTWMTRANCC-156-19D-H (STRAIGHT)	29 X 33 1/2	17 X 33 1/2	17 X 33 1/2	39 X 14 1/4	29 X 33 1/2	10 1/2 X 16

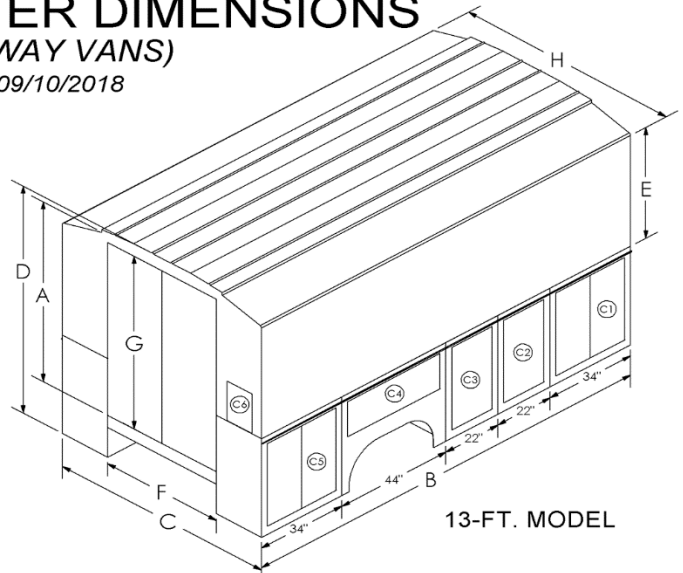
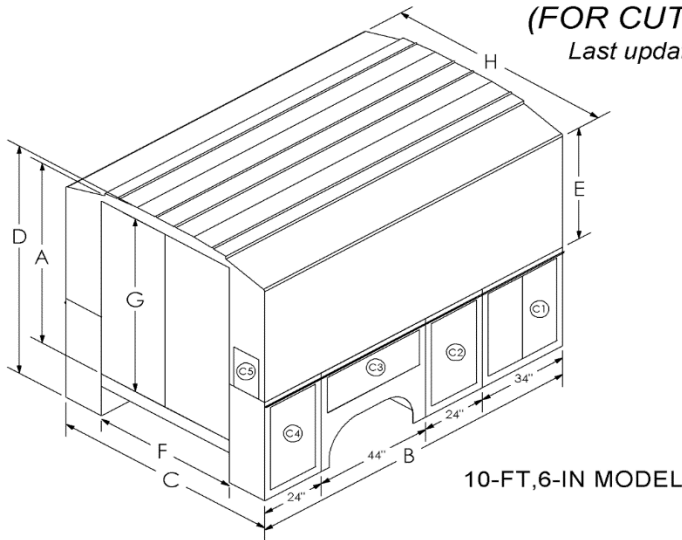
WorkMaster for Transit

Standard 74" Interior Height 10.4-ft. WorkMaster Body



FORD TRANSIT WORKMASTER DIMENSIONS (FOR CUTAWAY VANS)

Last update: 09/10/2018



WORKMASTER GENERAL DIMENSIONS (INCHES)

WORKMASTER BODIES	A	B	C	D	E	F	G	H
SIDE PANELS	INTERIOR CLEAR HEIGHT	OVERALL LENGTH	OVERALL WIDTH	OVERALL HEIGHT	HEIGHT ABOVE BODY	DOOR CLEAR WIDTH	DOOR CLEAR HEIGHT	WIDTH ABOVE BODY
HTWMTRANCT-126-15D-L (LOW-PRO)	60	126	84	78	32	54	56	84
HTWMTRANCT-126-19D-L (LOW-PRO)	60	126	84	78	32	46	56	84
HTWMTRANCT-126-15D-H (STRAIGHT)	74	126	84	92	46	54	70	84
HTWMTRANCT-126-19D-H (STRAIGHT)	74	126	84	92	46	46	70	84
HTWMTRANCT-156-19D-L (LOW-PRO)	60	156	84	78	32	46	56	84
HTWMTRANCT-156-19D-H (STRAIGHT)	74	156	84	92	46	46	70	84

WORKMASTER DOOR COMPARTMENT CLEAR OPENING DIMENSIONS (WxH, INCHES)

WORKMASTER BODIES	C1	C2	C3	C4	C5	C6
SIDE PANELS						
HTWMTRANCT-126-15D-L (LOW-PRO)	29 X 33 1/2	19 X 33 1/2	39 X 14 1/4	19 X 33 1/2	10 1/2 X 16	N/A
HTWMTRANCT-126-19D-L (LOW-PRO)	29 X 33 1/2	19 X 33 1/2	39 X 14 1/4	19 X 33 1/2	10 1/2 X 16	N/A
HTWMTRANCT-126-15D-H (STRAIGHT)	29 X 33 1/2	19 X 33 1/2	39 X 14 1/4	19 X 33 1/2	10 1/2 X 16	N/A
HTWMTRANCT-126-19D-H (STRAIGHT)	29 X 33 1/2	19 X 33 1/2	39 X 14 1/4	19 X 33 1/2	10 1/2 X 16	N/A
HTWMTRANCT-156-19D-L (LOW-PRO)	29 X 33 1/2	17 X 33 1/2	17 X 33 1/2	39 X 14 1/4	29 X 33 1/2	10 1/2 X 16
HTWMTRANCT-156-19D-H (STRAIGHT)	29 X 33 1/2	17 X 33 1/2	17 X 33 1/2	39 X 14 1/4	29 X 33 1/2	10 1/2 X 16

WorkMaster for Transit

HARBOR ENGINEERS SAW THE NEW FORD TRANSIT AS A TREMENDOUS OPPORTUNITY. THEY WERE INVOLVED EARLY AND CAME UP WITH GREAT DESIGNS.

- T-350HD DRW MODELS COME STANDARD WITH 19" DEEP COMPARTMENTS AND STRAIGHT SIDES THAT BEST FIT THE TUMBLEHOME (VERTICAL CURVATURE OF THE CAB) TO MAXIMIZE INTERIOR SHELF STORAGE (**BEST IN INDUSTRY!**)
- T-250 SRW MODELS HAVE 15" DEEP COMPARTMENTS AND STRAIGHT SIDES THAT BEST FIT THE TUMBLEHOME (VERTICAL CURVATURE OF THE CAB) AND, AGAIN, MAXIMIZE INTERIOR SHELF STORAGE (**BEST IN INDUSTRY!**)
- **THESE BODIES ARE DESIGNED FOR APPLICATION ON CHASSIS WITH SPECIFIC MINIMUM GVWR'S. PLEASE MAKE SURE YOUR BODY APPLICATION FITS WITHIN THESE GVWR PARAMETERS. HARBOR RESERVES THE RIGHT TO DECLINE TO MOUNT A BODY ON A NON-CONFORMING CHASSIS.**

HARBOR RETAINED THESE INDUSTRY-BEST FEATURES OFFERED ON PREVIOUS WORKMASTERS

- A 74" INTERIOR WALK-IN HEIGHT VERSION AS WELL AS A LOW PROFILE 60" HIGH MODEL
 - THERE ARE ALSO FULL-LENGTH INTERIOR SHELVES (ONE EACH SIDE) AT NO EXTRA CHARGE
- MASTER LOCK (**BEST IN INDUSTRY!**)
- ALL DOORS HAVE NEXTGEN DUAL SEALS TO KEEP WATER OUT (**BEST IN INDUSTRY!**)
- HARBOR PUSH BUTTON LOCKS WITH VISIBLE "RED BAND OPEN" INDICATOR (STANDARD FEATURE)
- SPECIAL 12" BUMPER FOR EASY STEP-UP ACCESS THRU REAR BARN DOORS
- GAS SHOCK DOOR STAYS ON ALL VERTICAL EXTERIOR DOORS (**BEST IN INDUSTRY!**)
- 54" FLOOR ON SRW MODEL AND 46" FLOOR ON DRW MODELS CARRY MOST STANDARD-SIZE MATERIALS
- INTERIOR TRAYS ON TOP OF SIDE COMPARTMENTS FORM FULL-LENGTH INTERIOR SHELVES
- REAR ACCESS DOOR IN END PANEL
- TWO (2) LADDER RACK HOOKS MOUNTED IN INTERIOR STRUCTURE FOR INTERIOR LADDER STORAGE (**BEST IN INDUSTRY!**)
- TWO (2) GRAB HANDLES TO ASSIST INGRESS AND EGRESS FROM STRUCTURE (**BEST IN INDUSTRY!**)
- INTERIOR FLUORESCENT LIGHT WITH INTEGRAL SWITCH AT ENTRY SIDE WALL (LED LIGHT OPTIONAL)

Plus these Industry-First Features by Harbor

- **Exclusive NeXtGen Weather Shield protection to weather your toughest driving conditions** – Our unique design consisting of 2 neoprene door seals, 1-piece compartment backwrapper with integral roll for pop-top lids, waterproof gaskets and self-sealing rivets stops water from leaking in around doors, lids, locks and door hinges.
- **Lock-tight shelving keeps your tools organized even in harsh off-road settings** – Adjustable shelves lock into place preventing tools from dumping. There are no old-fashioned shelf tabs that shear off due to shelf vibration.
- **Best rust and corrosion busters!** – All electro-galvanized sheet metal construction; finest cleaning and phosphate pre-treatment system prior to painting; PPG's finest automotive finish coat; bumpers and racks powder coated for extra durability; piano hinge and pin on cargo bed enclosure door, conduit box door and rear access doors all stainless and rust-proof; all expanded metal parts hot-dip galvanized.
- **Toughest locking devices to protect the tools of your livelihood** – Silky smooth 3-point locking system; automotive quality Harbor locks with water resistant dust covers, double-bit keys, all locking devices attached with all stainless steel rivets to resist unwanted break-ins without special tools; add Harbor's NeXtGen MasterLock option for additional protection and peace of mind.

WorkMaster for Transit

CHASSIS CAB

Harbor WorkMaster				Ford Transit				
MODEL	LENG.	INTERIOR HEIGHT	COMPT DEPTH	MODEL	AXLE	WHEEL BASE	MIN. GVWR ¹	MSRP
HTWMTRANCC-124-15D-L	124"	60"	15"	T250 – CC	SRW	138"	9,000 lb.	\$15,309
HTWMTRANCC-124-15D-H	124"	74"	15"	T250 – CC	SRW	138"	9,000 lb.	\$16,920
HTWMTRANCC-124-19D-L	124"	60"	19"	T350HD – CC	DRW	138"	9,950 lb.	\$15,330
HTWMTRANCC-124-19D-H	124"	74"	19"	T350HD – CC	DRW	138"	9,950 lb.	\$17,025
HTWMTRANCC-156-19D-L	156"	60"	19"	T350HD – CC	DRW	156"	10,360 lb.	\$18,390
HTWMTRANCC-156-19D-H	156"	74"	19"	T350HD – CC	DRW	156"	10,360 lb.	\$20,070
STANDARD EQUIPMENT							124"	156"
Y(11/14)AWHITE	Harbor White Painted on Exterior only						INC	INC
Z10 / Z12	Mounted w/ Lights and Standard 12" Bumper						INC	INC
SS27A	One (1) Interior LED Flush Mount Light w/Integral Switch at Entry Side Wall						INC	INC
MGRAB	Two (2) Rear Grab Handles						INC	INC
RK08	Two (2) Ladder Rack Hooks Mounted in Interior						INC	INC
D33-HANDLE or D39-HANDLE	Master Lock (Internal Security Bars Lock All Doors)						INC	INC
SS20-C	Rear Access Door in End Panel With Gas Shock Door Stay Curb Side						INC	INC
SS52WM	Two Single Interior Full Length Shelf, one each side						INC	INC
OPTIONAL EQUIPMENT								
LOK-AOK-FORD (x10) / (x12)	Harbor ALL-ONE-KEY (A-O-K) Door Locks Keyed at Our Factory to Match the Vehicle Ignition Key for 10.5-ft. & 12-ft. WorkMaster Bodies. This Does not Apply to D33 or D39 MasterLock Which Requires a Standard, Non-Push Button Lock & Key.						\$315	\$378
MBL10.5WM / MBL12WM ³	Bed Liner for WorkMaster Applied to Deck, Bulkhead, and Walls up to 1 st Shelf. (Excludes Rear Door)						\$1,195	\$1,395
MMIRROR	Mirror, Stainless-Rear Cross View 10" Wide w/ Breakaway Mount Bracket						\$301	\$301
METR10 / METR12 ³	E Track, Two Rows. One Row Mounts Along Each Side of Bed Area						\$708	\$970
SS52WM10 / SS52WM12	Shelf, Single Additional Interior Extending Full Length of Body (choose side)						\$472	\$472
SPC-3DIV00001	Single Divided Shelf Along Full Length of Street Side of Body (Side Opposite the Rear Access Door Used Primarily for Conduit). Includes 30 Tension Dividers That Can Be Customized to Create Your Own Shelving System.						\$550	\$645
PAINT AND MOUNT								
Y(10/12)WMRED ²	Single Stage Non Clear Coat Red Exterior (Interior is Gray)						\$3,025	\$3,738
Y(10/12)WMCOLOR ²	Single Stage Non Clear Coat Black Exterior (Interior is Gray)						-	-
Y(10/12)WMETALLIC ²	Multiple Stage Clear Coat Metallic Color (Interior is Gray)							
¹ Ford Requires Strict Adherence to Weight Limits on the New Transit. Harbor Engineers Developed these Limits Based on Ford Data. ² Perfect Color Match with Cab NOT Guaranteed ³ Must be Ordered at Time of Manufacture. If Ordered After Body Manufactured or Delivered, There Will be a Retro Charge								

WorkMaster for Transit

FOR FORD TRANSIT CUTAWAY VANS

Harbor WorkMaster				Ford Transit				
MODEL	LNGTH	INT HEIGHT	COMPT DEPTH	MODEL	AXLE	WHEEL BASE	MIN. GVWR ¹	MSRP
HTWMTRANCT-126-15D-L	126"	60"	15"	T250 – CUTAWAY	SRW	138"	9,000 lb.	\$16,500
HTWMTRANCT-126-15D-H	126"	74"	15"	T250 – CUTAWAY	SRW	138"	9,000 lb.	\$17,025
HTWMTRANCT-126-19D-L	126"	60"	19"	T350HD – CUTAWAY	DRW	138"	9,950 lb.	\$17,025
HTWMTRANCT-126-19D-H	126"	74"	19"	T350HD – CUTAWAY	DRW	138"	9,950 lb.	\$17,550
HTWMTRANCT-156-19D-L	156"	60"	19"	T350HD – CUTAWAY	DRW	156"	10,360 lb.	\$19,440
HTWMTRANCT-156-19D-H	156"	74"	19"	T350HD – CUTAWAY	DRW	156"	10,360 lb.	\$21,120
STANDARD EQUIPMENT							126"	156"
Y10 / Y12	Harbor White Painted on Exterior only						INC	INC
Z10 / Z12	Mounted w/ Lights and Standard 12" Step Bumper						INC	INC
SS27A	One (1) Interior LED Flush Mount Light w/Integral Switch at Entry Side Wall						INC	INC
MGRAB	Two (2) Rear Grab Handles						INC	INC
RK08	Two (2) Ladder Rack Hooks Mounted in Interior						INC	INC
D33-HANDLE or D39-HANDLE	Master Lock (Internal Security Bars Lock All Doors)						INC	INC
SS20-C	Rear Access Door in End Panel With Gas Shock Door Stay Curb Side						INC	INC
SS52WM	Single Interior Full Length Shelf (2 included, 1 each side)						INC	INC
LOK-AOK-FORD (x10) / (x12)	Harbor ALL-ONE-KEY (A-O-K) Door Locks Keyed at Our Factory to Match the Vehicle Ignition Key for 10.5-ft. & 12-ft. WorkMaster Bodies. This Does not Apply to D33 or D39 MasterLock Which Requires a Standard, Non-Push Button Lock & Key.						\$315	\$378
OPTIONAL EQUIPMENT								
MBL10.5WM / MBL12WM ³	Bed Liner for WorkMaster Applied to Deck, Bulkhead, and Walls up to 1 st Shelf. (Excludes Rear Door)						\$1,195	\$1,359
MMIRROR	Mirror, Stainless-Rear Cross View 10" Wide w/ Breakaway Mount Bracket						\$301	\$301
METRK10/ METRK12 ³	E Track, Two Rows. One Row Mounts Along Each Side of Bed Area						\$708	\$970
SS52WM10 / SS52WM12	Shelf, Single Additional Interior Extending Full Length of Body (choose side)						\$472	\$472
SPC-3DIV00001	Single Divided Shelf Along Full Length of Street Side of Body (Side Opposite the Rear Access Door Used Primarily for Conduit). Includes 30 Tension Dividers That Can Be Customized to Create Your Own Shelving System.						\$550	\$645
PAINT AND MOUNT								
Y(10/12)WMRED ²	Single Stage Non Clear Coat Red Exterior (Interior is Gray)						\$3,025	\$3,738
Y(10/12)WMCOLOR ²	Single Stage Non Clear Coat Black Exterior (Interior is Gray)						-	-
Y(10/12)WMETALLIC ²	Multiple Stage Clear Coat Metallic Color (Interior is Gray)						-	-
¹ Ford Requires Strict Adherence to Weight Limits on the New Transit. Harbor Engineers Developed these Limits Based on Ford Data. ² Perfect Color Match with Cab NOT Guaranteed ³ Must be Ordered at Time of Manufacture. If Ordered After Delivery, There Will be a Retro Charge								

WorkMaster for Transit

ADDITIONAL INSTALLED ACCESSORIES FOR ALL TRANSIT TRADEMASTERS		
6DAVM	Door, Pass-Thru with Handle-Permits Entry from Cab to Rear of WorkMaster (Cutaway only)	\$1,902
C25	Louver the Inner and Outer Skins of a Single Door for Ventilation	\$116
C07	Add Bottle Brackets and Rings to Louvered Compartment to Hold Short Oxygen/Acetylene Tanks. Interior Dimension (ID) is 38"H	\$823
MACTIRE	Spare Tire Carrier Mount Behind Bulkhead Only. (Not Attached to Compartment Due to Potential Water Leaks in Compartment)	\$296
MALARM	Back-up Alarm (Preco 380P or Equivalent)	\$376
MBCK-UP-SEN	Install FORD Factory Ordered Back-Up Sensors in Bumper, (Includes Installation Only).	\$423
MCBC03	Chock Block Holder in Wheel Well Curb Side. (Recommended as Safest Location.)	\$842
MGFI	Additional GFI Outlet to be Wired to Inverter (Requires MINVTR)	\$322
MINVTR	Inverter w/ 115 Volt Outlet on Inverter Wagan Inverter 3000 Watts Continuous True Weighted Power (6,000 Watts Peak Surge Power, 115 Volts) or Equivalent.	\$1,909
MLSBRB-LED	Rotating LED Strobe on Mounting Pad i.e. Mounts on Rack or Headboard Only, Not Roof. Lighted Cab Switch Included. ECCO 7965 LED Light, or Equivalent.	\$649
MLSBRB-LED-POLE	Rotating LED Strobe with Mounting Pad on Separate Pedestal Pole. Lighted Cab Switch Included. ECCO 7965 Light, or Equivalent.	\$747
MLTBAR-C	Light Bar Mounted on Separate Rack Behind Cab. Wired Through Back Bottom of Cab, Not Through Headliner. Whelen TAC F85LH, or Equivalent.	\$2,573
MPIPE	Heavy Duty Pipe Holder (Front End Panel Only)	\$221
MVISE	Heavy Duty Stainless Steel Vise Bracket on Rear End Panel, 12"x7" (not for SRW bodies with lift gate or barn doors).	\$359
MVISE-10	Heavy Duty Stainless Steel Vise Bracket on Rear End Panel, 10"x7"	\$359
MLADDER	Ladder for Roof Access – (Must Mount Opposite Side from Rear Access Door (SS20-C))	\$514
RKWM144	Rack, Two-Side Basket Style w/ (5) Crossmembers. Mounted on Top of WorkMaster only (ADD \$400 MSRP to Price if a Retro-Fit. Requires (6) Welded Interior Supports)	\$1,541
SPC-RKWM00001	Rack, One-Side Drop Down from Roof. Requires Straight Sides & Flat Roof for Mounting (Two Drop Down Not Available) Weather Guard 282.	\$4,066
RKWMDROP-DOWN-KM	Rack, One-Side Drop Down from Tall Roof. Drops Down on Curb Side. KargoMaster 47993, Requires Tapered Sides & Roof for Mounting (Two Drop Down Available).	\$2,937
RKWMDROP-DOWN-KM2	Rack, Two-Side Drop Down from Roof. Requires Tapered Sides & Roof for Mounting. KargoMaster 47993+40913.	\$4,357
MSTEP5	4" Drop Down Step on WorkMaster Bumper w/Non-Skid Surface Applied. For Slightly Easier Ingress and Egress from Back of Body. (Hitch NOT Available w/this Option.)	\$534
6LGT00003	Gorlitz Snake Winch and/or Ramp- Must Specify what Gorlitz Machine Model to be Installed.	-
SPITZLIFT-LEBS10-3	Spitz Lift LEBS10-3 Installed in Interior Floor.	\$5,536
SS20-C	Additional Rear Access Door (Not available w/ MLADDER)	\$478
SPC-SS27A-00002	One (1) Interior LED Flush Mount Light w/Integral Switch at Entry Side Wall	\$540
SS72WM	One (1) Interior Shelf at Bulkhead	\$266

BACKUP CAMERAS

10,000 LB GVWR AND UNDER (MUST CHOOSE ONE)

10,001 LB GVWR AND OVER (OPTIONAL)

BACKUP CAMERAS ARE REQUIRE BY FMVSS 111 ON ALL TRUCKS 10,000 GVWR OR UNDER MANUFACTURED 5-1-2018 OR LATER

MBCK-UP-CAM-LB2	For WorkMaster Upfit Onto Transit Chassis Cab or Cutaway WITH Backup Camera Ready, and Factory Supplied Camera and Harness.	\$501
MBCK-UP ¹	For WorkMaster Upfit Onto Transit Chassis Cab or Cutaway WITHOUT Backup Camera Ready, and Factory supplied Camera and Harness.	\$656

¹ Aftermarket Camera and Monitor Selected by Harbor Based On Capability of Meeting FMVSS. Monitor Will Be Mounted Near Top Center of Dash.

Harbor Truck & Van

WARRANTY

NEW BODY LIMITED WARRANTY

WHAT IS COVERED?

All Harbor Service Bodies, Harbor Platform Bodies, and Harbor Van Interiors (collectively “product”) during the Warranty Period (described immediately below).

Harbor Truck & Van (Harbor) warrants each product manufactured by Harbor to be free of defects in materials or workmanship for a period of three (3) years or 36,000 miles whichever comes first from the date the body is placed “in service”. Harbor warrants its factory applied primer and finish coatings and/or powder coat finish against material defects for a period of three (3) years or 36,000 miles whichever comes first from the date the body is placed “in service”. During this three (3) year 36,000 miles warranty period, Harbor guarantees its products to be free of rust-through perforation. The warranty applies when the product is properly installed by Harbor or one of its Service Centers or Distributors and is properly maintained.

The “in service” date shall begin on the earliest of the following dates: the date of purchase by the first owner/user or; one year from the date the product was manufactured by Harbor or; the date it was first used as a demonstrator vehicle. This warranty is subject to limitations and exclusions as listed in the sections below.

WARRANTY CLAIMS PROCEDURE

The owner shall immediately contact Harbor Customer Service (800-433-9452 Ext. 270 or customerservice@harbortruck.com) and provide a detailed description in writing with pictures showing and/or demonstrating the purported defect. The information must include the body serial number found on a plaque on the upper interior of the first driver (street) side compartment on the body or on the front rail of the platform body on the driver (street) side.

Harbor shall repair or replace, at its option, any factory manufactured and installed part that is deemed defective under normal use and when the product has been properly maintained in accordance with this warranty and Harbor’s OWNER’S MANUAL. The warranty repairs shall be performed free of charge for parts or labor. To assure warranty repairs meet the highest standards, Harbor reserves the right to perform all warranty repairs in-house or at one of Harbor’s authorized Distributors or Service Centers. Any warranty claim, for which repair is performed by truck dealers, customers or other third parties without Harbor’s express written permission in advance, shall be subject to rejection and the warranty voided. It is Harbor’s sole determination whether the product is defective in material or workmanship as claimed.

WARRANTY EXCLUSIONS

1. Parts, that upon inspection, are found by Harbor not to contain factory defects in material and workmanship
2. Warranty claim on any product where the vehicle is not the original vehicle on which the product is installed. Warranty claim on a vehicle damaged to such an extent that the owner or the institution financing, leasing or insuring the vehicle consider it uneconomical to repair it. This includes, but is not limited to a product titled as scrap, salvage or dismantled. Warranty claim to a product where the vehicle has been altered so the true mileage cannot be determined and where the mileage is a condition of the warranty.
3. Warranty claim for any part or accessory manufactured by Harbor Body that has been subjected to abuse, misuse, exposure to caustic acids or corrosive materials, fire, negligence, accident damage, collision or theft. Warranty claim for repair the need for which was caused by tampering, disconnection, improper adjustment, repair, or improper maintenance in accordance with the owner’s manual.
4. Warranty claim for fatigue or cracking of body structure due to abnormal stress caused by improper mounting, overloading, severe off-road applications, or twisting loads by a crane where the load exceeds crane/body capacity.
5. Any part or accessory that has been repaired by an unauthorized party without Harbor’s written permission where such repair is deemed by Harbor to have adversely affected the performance, reliability or stability of the part. Failures as a result of improper installation or adaptation of the body, van interior or special equipment by an unauthorized party.

Harbor Truck & Van

WARRANTY

6. *Parts or repairs for outside-manufactured accessories (e.g. cranes, lift gates, generators, compressors, pumps, welding machines, hydraulic pumps or reservoirs etc.) that are not manufactured by Harbor where these products are covered by their own manufacturers' warranties in effect at the time of delivery. A copy of an outside-manufactured accessory warranty, if provided to Harbor, has been included in your owners' packet. These are also generally available on line. Parts or repairs that are considered part of normal wear and tear to these outside-manufactured accessories by their manufacturers. Labor for removal or replacement of defectives parts or accessories not installed by Harbor.*
7. *Repairs for corrosion perforation (defined as penetration of rust creating a hole through the metal) due to poor care, exposure to caustic acids or corrosive materials, exposure to improper cleaning materials, external forces (such as stones, salt or equivalent, gravel, accidents, collisions or other forms of impact), or due to environmental conditions including "acts of nature", industrial fall-out, acid rain or location on an island surrounded by saltwater in a non-contiguous 48 state location like the Hawaiian Islands. Poor care is defined as external rust left unrepaired and later causing corrosion perforation due to neglect of vehicle care. Repair for corrosion perforation due to installation (or de-installation) of accessories by user, unauthorized party or Harbor Distributor/Service Center. In the latter case, the Distributor or Service Center would be responsible for the repair if the product is still in the eligible Warranty Period. Repairs for corrosion other than perforation are not covered.*
8. *Repairs of paint flaws caused by conditions such as industrial fallout, acid rain, "acts of nature", exposure to caustic acids or corrosive materials, exposure to improper cleaning materials, scratches, abrasions, dents, nicks, chips, failures on flexible components, failure of under coating, calking, and cracking of joints subject to tensional bending or movement. Normal paint aging conditions.*
9. *Damage or failure of wood floor on a platform body or other upfit including, but not limited to damage from moisture, weather or use of corrosive or caustic materials resulting in buckling, deterioration or damage to such wood which, in Harbor's opinion, is considered normal wear and tear. Harbor replacement costs for wood floors that are determined to be defective shall be limited to the following percentages: 100% first year; 25% second year; 10% third year.*
10. *Harbor shall not be liable for incidental damages including, but not limited to: rental reimbursement, loss of use, storage, inconvenience, lost time or lost pay, food and lodging, and telephone calls.*
11. *Conditions related to noise, vibration or harshness of ride that are considered normal.*
12. *Products purchased outside the continental U.S. and Canada.*

DISCLAIMERS

This warranty is the only express warranty made by Harbor, and Harbor's obligations are limited to those expressed in this warranty. Harbor makes no other warranties, express or implied, and disclaims all other warranties, including any implied warranty of merchantability or fitness for particular purpose.

Harbor shall not be liable to the purchaser, or any third party, for any direct or indirect, incidental or consequential damage or loss even if the potential for such damage or loss was disclosed in advance. Some states do not allow the exclusion or limitation of incidental or consequential damages, or how long an implied warranty lasts in which case these limitations may not apply. These rights may vary from state to state.

If the product is improperly installed, modified, misused, damaged or otherwise tampered with, the Harbor Warranty shall become null and void and shall lapse.

In no event shall any liability arising from the product exceed the amount of the proceeds received by Harbor pursuant to its sale.

Harbor reserves the right to make changes to its products at any time without incurring any obligation to make the same or similar changes on products previously built by Harbor.

No person is authorized to modify or add to the Harbor Warranty.

This Warranty shall be enforced and construed in accordance with the laws of the State of California.