



TEKA INSET SINKS

Price List:
January - June 2024

Introduction

Teka Kitchen Division

In Kitchens, Teka numbers among the leading sink and built-in appliance brand, manufacturing quality home appliances, commercial equipment and most importantly - Kitchen sinks.

It is one of the world's largest producers of sinks and the only technology manufacturer in today's market offering a fully integrated range.

Teka is a world-wide brand with sales offices and production facilities in every corner of the world in over 125 countries in 5 continents. In addition to its own facilities various agents across the world have chosen Teka as their company partner.

Splash Zone Official Supplier

Teka is a world leader in the field of stainless steel sinks. Originally, Teka was selected as a result of several leading kitchen manufactures requesting a bigger and better range of sinks than what was currently available on the South African market. However, with their superb design and reliable quality, Teka soon became the first choice for more and more home owners throughout South Africa.

Currently Splash Zone, with Teka offers the most extensive range of inset and undermount sinks available on the South African market. The underlining success of the Teka/Splash Zone relationship is based on the thinking that the consumer should select the features they would like to have on a kitchen sink and not the manufacturer. After all, it should not be an unreasonable request to want a sink with deeper bowls.



Inset Sinks

Teka inset sinks are impressive in every aspect. Inset sinks from Teka are far from the norm, each sink range has its own unique styling on both the bowls and drainer board.

Inset sinks bowls are generally larger and deeper than their competitors, and all feature 18/10 stainless steel with thickness ranging from 0.6mm - 1.2mm. From entry level to exclusive, Teka is sure to have an inset sink to suit your personal taste and budget.

Undermount Sinks

Teka undermounts are by far the most popular sinks in the South African market. We boast the largest range of undermounts in the southern hemisphere and do so because we believe every individual is unique.

Undermounts are manufactured by the highest quality standards with stainless steel thickness of 1.2mm.

Contract Sinks

Teka sinks cover every price point without compromising quality.

Specifically manufactured for high quantity development schemes, contractors sinks are manufactured with the same high quality as the rest of the Teka product range.

Teka, almost 90 years of creative genius

Innovation and a strict commitment to the highest quality standards are two ideals that make Teka the first choice for more and more homes.

Since 1924, Teka group has dedicated all its resources and expertise to achieve one single goal: improving the quality of life of millions of customers.

From an innovative design to improved features, every production process undergoes constant improvement. All this while paying special attention to each detail. Because at Teka, even the smallest detail counts.

When you consider just how much time you spend at the kitchen you realise how important it is to have a kitchen that combines design with user-friendliness.

When purchasing a kitchen sinks it is extremely important to consider each sink's key features and how they can improve your lifestyle.

are you looking for inspiration?

Classic Sinks

The classics are still in fashion.

Named Classic because this range retains its popularity with many. Classic in design but not in its performance features, the range incorporates all the latest technical innovations and trends: new models, greater bowl depth, a variety of trays, attractive configurations, more accessories, etc.

The secret of the classical is that it is ever-changing. Today's novelties will be tomorrow's classics.



Classic Angular

Reversible double bowl with central drainer corner sink

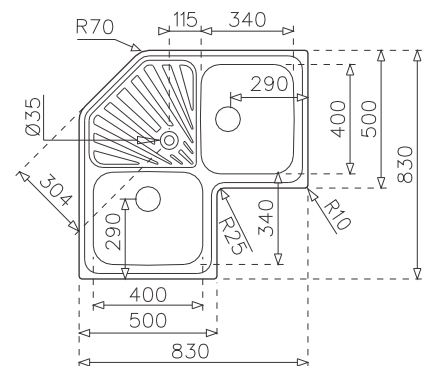
R6,800.00

list price excl. VAT

- » **Material**
Made of polished stainless steel
- » **Measurements in mm**
Overall (w x h) 830 x 830
Bowls (w x h x d) 400 x 340 x 187
- » **Installation**
Inset
Corner base unit of minimum 90cm wide
- » **Included Plumbing Kit**
90mm basket waste
Overflow

» **How to Order :**

1 x TE10118005 R6,800.00ea



Classic

Classic 2.5B 1D

Reversible double bowl and tidy single drainer sink

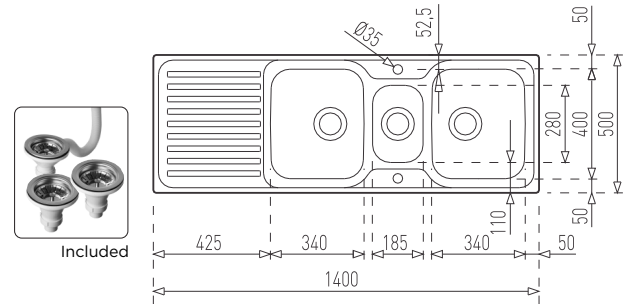
R7,200.00

list price excl. VAT

- » **Material**
Made of polished stainless steel
- » **Measurements in mm**
Overall (w x h) 1400 x 500
Main Bowls (w x h x d) 340 x 400 x 199
Auxiliary bowl (w x h x d) 280 x 185 x 139
- » **Installation**
Inset
Base unit of minimum 100cm wide
- » **Included Plumbing Kit**
90mm basket waste
Overflow

» **How to Order :**

1 x TE10119081 R7,200.00ea



Classic 2B 1D

Reversible double bowl single drainer sink

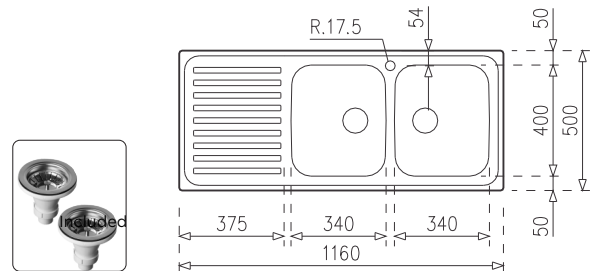
R5,980.00

list price excl. VAT

- » **Material**
Made of polished stainless steel
- » **Measurements in mm**
Overall (w x h) 1160 x 500
Bowls (w x h x d) 340 x 400 x 193
- » **Installation**
Inset
Base unit of minimum 80cm wide
- » **Included Plumbing Kit**
90mm basket waste
No Overflow

» **How to Order :**

1 x TE10119007 R5,980.00ea



Classic 2.5B

Reversible double bowl and tidy sink

R5,850.00

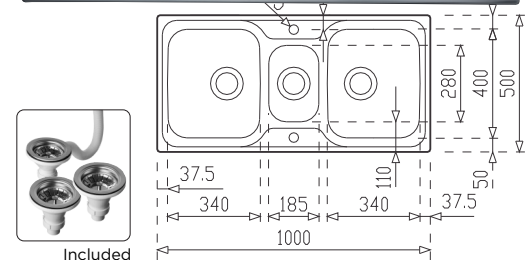
list price excl. VAT

Reduced To Clear

- » **Material**
Made of polished stainless steel
- » **Measurements in mm**
Overall (w x h) 1000 x 500
Main Bowls (w x h x d) 340 x 400 x 196
Auxiliary Bowl (w x h x d) 280 x 185 x 136
- » **Installation**
Inset
Base unit of minimum 100cm wide
- » **Included Plumbing Kit**
90mm basket waste
Overflow

» **How to Order :**

1 x TE10119080 R5,850.00ea



Starbright 2B 1D

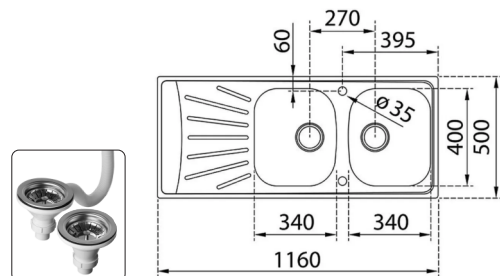
Reversible double bowl single drainer sink

- » **Material**
Made of unpolished stainless steel
- » **Measurements in mm**
Overall (w x h) 1160 x 500
Bowls (w x h x d) 340 x 400 x 170
Thickness: 0,5mm
- » **Installation**
Inset
Base unit of minimum 800mm wide
- » **Plumbing Kit**
90mm basket wastes with overflow

NOT RECOMMENDED FOR HEAVY MIXERS

» **How to Order :**

- 1 x TE115180005
- 1 x TE61001302TEKA
- 1 x TE61001303TEKA



Starbright 1B 1D

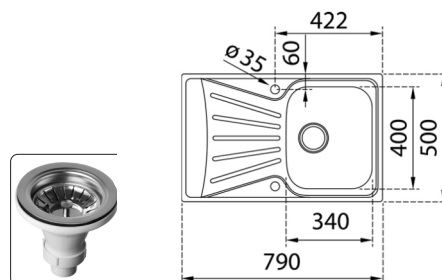
Reversible single bowl single drainer sink

- » **Material**
Made of unpolished stainless steel
- » **Measurements in mm**
Overall (w x h) 790 x 500
Bowl (w x h x d) 340 x 400 x 160
Thickness: 0,5mm
- » **Installation**
Inset
Base unit of minimum 450mm wide
- » **Included Plumbing Kit**
90mm basket waste

NOT RECOMMENDED FOR HEAVY MIXERS

» **How to Order :**

- 1 x TE115120038
- 1 x TE61001302TEKA



Starbright 2B

Double bowl sink

R2,600.00

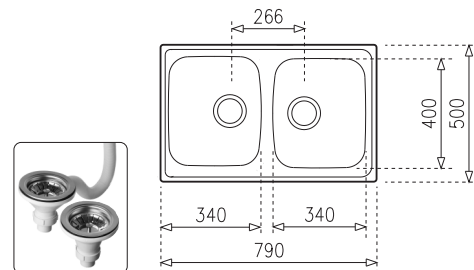
list price excl. VAT

- » **Material**
Made of unpolished stainless steel
- » **Measurements in mm**
Overall (w x h) 790 x 500
Bowl (w x h x d) 340 x 400 x 150
Thickness: 0,5mm
- » **Installation**
Inset
Base unit of minimum 800mm wide
- » **Included Plumbing Kit**
90mm basket wastes

NOT RECOMMENDED FOR HEAVY MIXERS

» **How to Order (With tap hole and overflow) :**

- 1 x TE115050003 R2,600.00ea



Starbright

Starbright 1.5B 1D

Reversible single bowl and tidy sink

R3,540.00

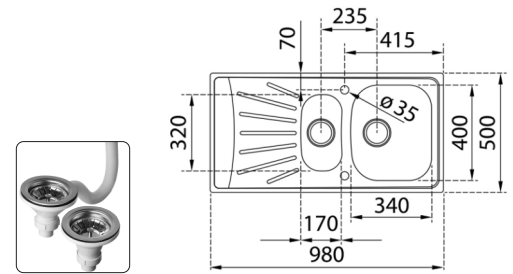
list price excl. VAT

- » **Material**
Made of unpolished stainless steel
- » **Measurements in mm**
Overall (w x h) 980 x 500
Main Bowl (TBA)
Auxiliary Bowl (TBA)
- » **Installation**
Inset
Base unit of minimum 60cm wide
- » **Included Plumbing Kit**
90mm basket waste
Overflow

NOT RECOMMENDED FOR HEAVY MIXERS

» **How to Order :**

1 x TE115150002 R3,540.00ea



Starbright 45 Round

Preparation bowl

R1,315.00

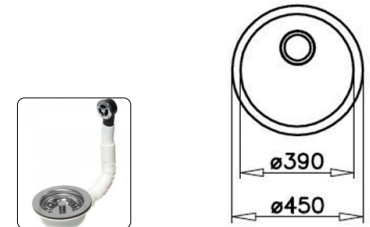
list price excl. VAT

- » **Material**
Made of matt stainless steel
- » **Measurements in mm**
Overall \varnothing 450
Bowls \varnothing 390 x 160
Thickness: 0,6mm
- » **Installation**
Inset
Base unit of minimum 45cm wide
- » **Included Plumbing Kit**
90mm basket waste with overflow

NOT RECOMMENDED FOR HEAVY MIXERS

» **How to Order :**

1 x TE115020013 R1,140.00ea
1 x TE61001302TEKA R175.00ea



Stylo

Stylo 1B

Preparation bowl available only with tap hole and overflow

R1,930.00

list price excl. VAT

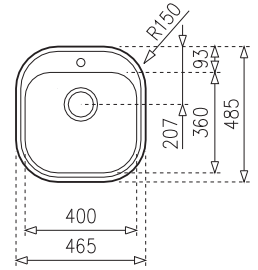
- » **Material**
Made of polished stainless steel
- » **Measurements in mm**
Overall (w x h) 465 x 485
Bowl (w x h x d) 400 x 360 x 160
- » **Installation**
Inset
Base unit of minimum 45cm wide
- » **Included Plumbing Kit**
90mm basket waste
Overflow

» **How to Order :** Stylo 1B only available with Tap Hole and Overflow

1 x TE10107007 R1,930.00ea



Included



Teka Spares & Accessories (excl. VAT)

TE61001302TEKA	90mm waste with overflow	R175.00
TE61001303TEKA	90mm waste without overflow	R140.00
TE20199006	Plug for 90mm waste (old type only)	R110.00

Sink Care

Problem	Solution	Comments
Routine cleaning- All grades and finishes	Inox Cream applied with soft cloth or sponge. Rinse and wipe dry	If possible, use a warm to hand-hot solution. A 5% addition of ammonia is beneficial
Fingerprints- All finishes	Pre-treat marks with alcohol or an organic solvent. Follow immediately with routine cleaning	Minimise re-occurrence by applying a wax or silicone based household polish to the clean, dry surface
Stubborn stains and discolouration- All finishes except coloured Stainless Steel.	Use a small amount of a creamy paste of mild household abrasive cleaner on a cloth made wet with detergent solution as per routine cleaning. Rinse and dry	Repeat several times rather than resorting to a single aggressive cleaning method. If some stubborn stains persist use a fine synthetic scourer pad instead of a cloth. Rub gently
Lime scale deposits from hard water	Prolonged soaking in a 25% vinegar solution or a 5% nitric acid solution. Periodically rub with a nylon bristled brush or fine synthetic scourer pad	Can usually be prevented by regular routine cleaning. Do not allow excessive build-up before treating
Grease, fats and oils- All finishes	Wipe off excess with soft cloth or paper towel. Use a water-borne or water-soluble de-greasing agent followed by Routine cleaning	
Rust marks due to presence of or contact with ferrous materials	If heavy, swab with a sponge moistened with a dilute (10-15%) solution of nitric acid (HN03). Follow by Routine Cleaning	Avoid any contact of ferrous (iron) containing materials with Stainless Steel. Dilute nitric acid (HN03), in strengths of up to 20%, is a "friendly" acid to Stainless Steel. It is the ONLY acid which may be used with no risk to Stainless Steel
Dark oxide scale from welding or heat tints	Pickling and passivating plus thorough water rinsing as outlined previously. Follow by routine Cleaning	Slight heat tints may be removed by repeated application as for stubborn stain and discolouration
Scratches on polished (lined) finishes	Slight scratches - Use a nylon pad loaded with an iron-free abrasive polishing compound. Follow the direction of the original polish lines. Follow with routine cleaning. Deep scratches - coarse abrasives should be used initially. Follow as for slight scratches	Deep scratches will be difficult to remove completely. Do not use metal scourers or wire wool unless they are made from Stainless Steel

It must be appreciated that some of the above suggested procedures will alter the surface appearance of the treated area compared to that of the original surface finish. They should therefore be applied only with due consideration and care

Cleaning Procedure

Clean the Stainless Steel as often as experience dictates (i.e. when noticeably dull or dirty); and use the simplest cleaning procedure that will effectively "do the job".

- Stainless Steel's best friends are clean water or mild detergent solution, applied with a soft cloth or sponge, rinsed well and wiped dry.
- Routine simple, gentle and inexpensive cleaning will retain both the corrosion resistance and appearance of Stainless Steel through years of exposure and use. Occasionally a small amount of Inox Cream may be used on a soft cloth made wet with the detergent solution to remove stubborn dirt or slight incipient stains. Rub gently

Cleaning Do's

- Employ regular routine cleaning rather than an occasional aggressive single cleaning.
- Only use propriety brands of cleaners that state "SUITABLE FOR STAINLESS STEEL", such as Inox Cream.
- Always rinse and dry as the final step in a cleaning procedure

Cleaning Don'ts

- Do not use coarse abrasive powders.
- Do not use metallic scourers or brushes with metal bristles.
- Do not use the so termed "silver cleaners".
- Do not use acids (except nitric acid in specific instances).

Storage of Products

Product research has proved that certain household products which may be stored underneath a sink, can lead to damage to the sink's base. Chlorine is the major culprit and can be found in: chlorine for swimming pools; household bleach; bathroom cleaning products like toilet cleaners, mildew treatments and tile cleaners; kitchen cleaning products - especially liquid cleaners; powders for dishwashers and laundry detergents. Preserve the life and beauty of your sink by storing these products away from the sink area in a well ventilated cupboard that is child-proof.

Splashzone (Pty) Ltd.
Unit 5
Mount Edgecombe Industrial Estate
65 Marshall Drive
Mount Edgecombe
Durban

These products are imported from Europe and as a result are subject to fluctuations in currency. While we endeavour to keep prices unchanged we reserve the right to change listed prices without notification. Please always confirm prices at the time of placing your order.

While Splashzone has used its best endeavors to ensure that the information provided in this price list - including (but not limited to) technical specifications, measurements, colours and prices - are accurate and up to date at the time of issue, does not warrant that it is correct or complete. We reserve the right to make corrections and changes without notification and unless otherwise stated and agreed upon in writing, Splashzone makes no warranties of any kind, express or implied, that good sold are suitable for any particular purpose or application under any specific condition. It is recommended that every item should be thoroughly tested by the purchaser to determine performance suitability before use of goods.

