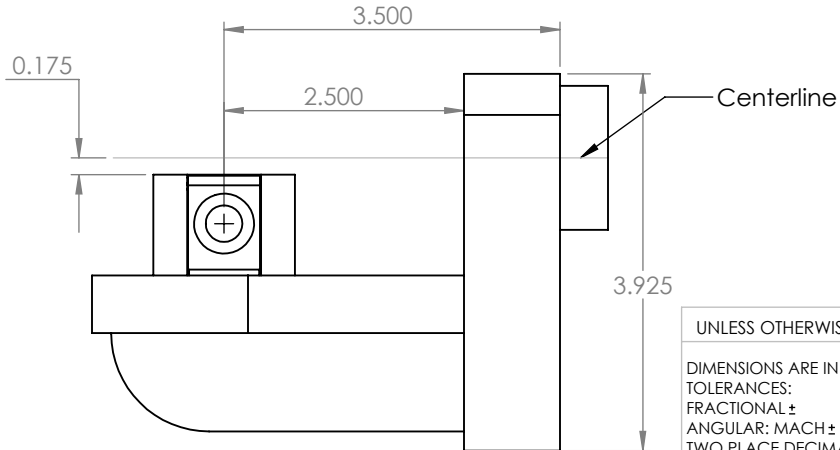
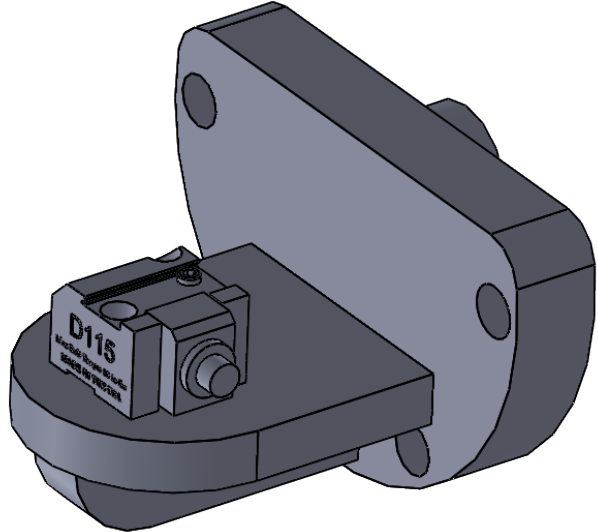
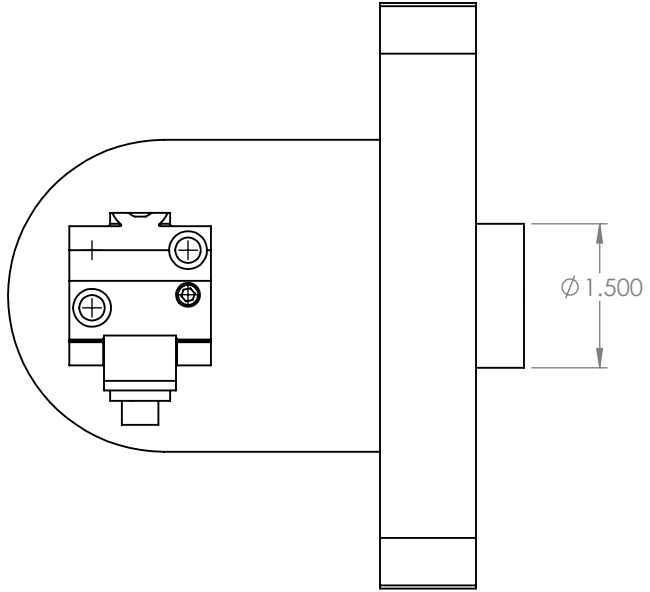


		REVISIONS			
ZONE	REV.	DESCRIPTION		DATE	APPROVED



UNLESS OTHERWISE SPECIFIED:		NAME	DATE
DIMENSIONS ARE IN INCHES	DRAWN	D.Smith	2019/
TOLERANCES:	CHECKED		
FRACTIONAL ±	ENG APPR.		
ANGULAR: MACH ± 0.5° BEND ± 3°	MFG APPR.		
TWO PLACE DECIMAL ± .01	Q.A.		
THREE PLACE DECIMAL ± .005	COMMENTS:		
INTERPRET GEOMETRIC TOLERANCING PER: ASME Y14.5			
MATERIAL			
316 Stainless			
FINISH			

DS Machine Werks, Inc		
TITLE:		
Moreside Fixture		
SIZE	DWG. NO.	REV
A	Model 100	
SCALE: 1:5	WEIGHT:	SHEET 1 OF 1

PROPRIETARY AND CONFIDENTIAL
 THE INFORMATION CONTAINED IN THIS DRAWING IS THE SOLE PROPERTY OF DS MACHINE WERKS. ANY REPRODUCTION IN PART OR AS A WHOLE WITHOUT THE WRITTEN PERMISSION OF DS MACHINE WERKS IS PROHIBITED.