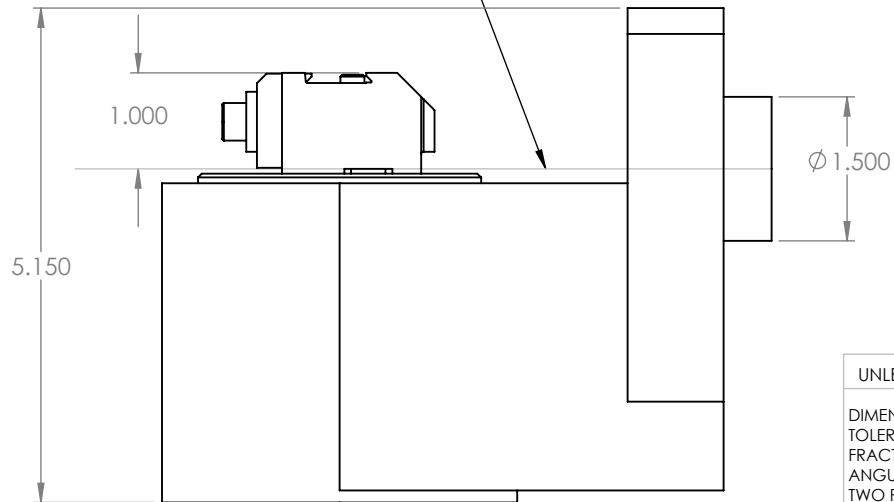
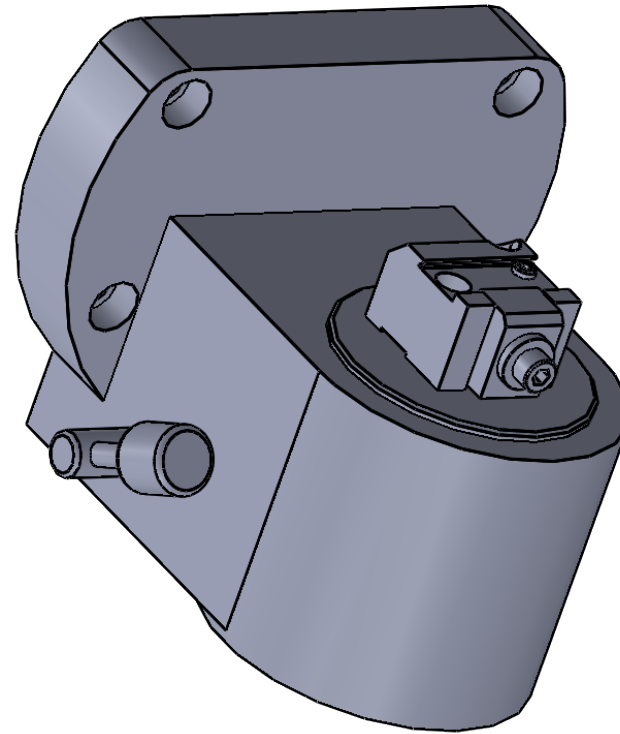
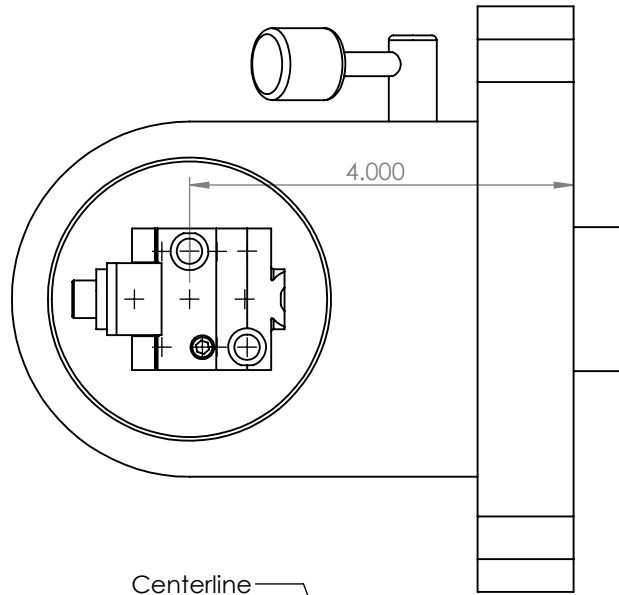


** See Model for Missing Dimensions

		REVISIONS			
ZONE	REV.	DESCRIPTION		DATE	APPROVED



UNLESS OTHERWISE SPECIFIED:		NAME	DATE	DS Machine Werks, Inc	
DIMENSIONS ARE IN INCHES		DRAWN	2019/		
TOLERANCES:		CHECKED		TITLE: Moreside	
FRACTIONAL ±		ENG APPR.			
ANGULAR: MACH ± 0.5° BEND ± 3°		MFG APPR.			
TWO PLACE DECIMAL ± .01		Q.A.		SIZE DWG. NO. REV	
THREE PLACE DECIMAL ± .005		COMMENTS:			
INTERPRET GEOMETRIC TOLERANCING PER: ASME Y14.5				SCALE: 1:5 WEIGHT: SHEET 1 OF 1	
MATERIAL					
FINISH					

PROPRIETARY AND CONFIDENTIAL
 THE INFORMATION CONTAINED IN THIS DRAWING IS THE SOLE PROPERTY OF DS MACHINE WERKS. ANY REPRODUCTION IN PART OR AS A WHOLE WITHOUT THE WRITTEN PERMISSION OF DS MACHINE WERKS IS PROHIBITED.