



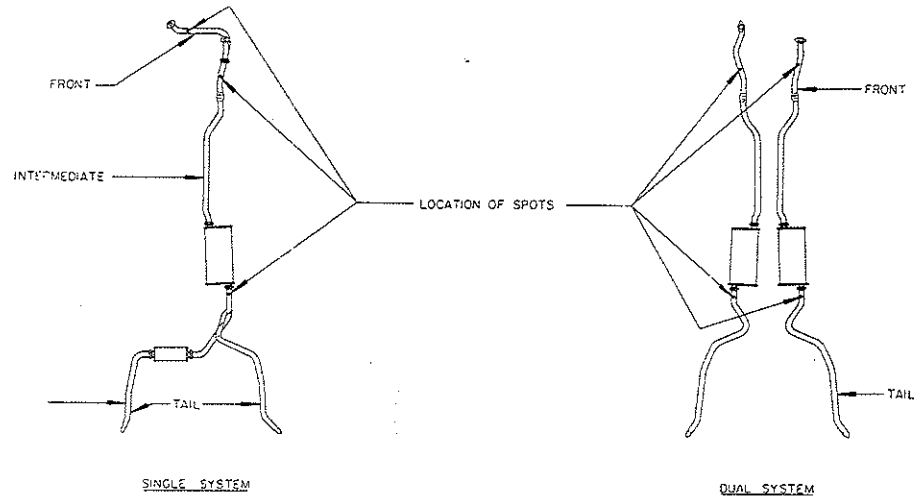
1967 BUICK ASSEMBLY INSTRUCTION MANUAL
SPECIAL - SKYLARK 43000 - 44000 SERIES

<u>FUEL AND EXHAUST SYSTEM</u>	
	<u>PAGE NO.</u>
Exhaust Pipe Color Code Identification	8-2.1
Exhaust System Installation Muffler Assembly - Crossover Pipe - Hangers & Joint Sealer Application 225 Eng.	8-3.1
Exhaust System Installations 300 & 340 Eng. - Muffler - Crossover Pipe - Tail Pipe - Hangers - Clamps Insulators & Joint Sealer Application	8-4.1
Exhaust System Installations 340 Cu. In. Eng. (Sportwagons) Muffler - Tail Pipe - Crossover Pipe - Hangers - Clamps & Joint Sealer Applications	8-5.1
Exhaust System (Dual) Installations 400 Eng. G.S. Mufflers - Tail Pipes - Hangers - Clamps & Joint Sealer Application	8-6.1
Fuel System Installations- Tank -	8-7.1
Straps - Filler Hose - Vent Hose	8-8.1
Fuel Return Hose - & Fuel Lines (Three pages)	8-9.1

*6-29-66

PART NUMBER-1379480
PAGE NUMBER- 8-1.0

2074



DATE	SYN	REVISION RECORD	AUTH.	DR. I.C.K.
1-17-65	A	REMOVED		
1-17-65	B	1379456 & 1381455		
	E	DATA ADDED		
1-24-65	C	1377750 TO 1382000		
11-30-65	D	1377751 TO 1382007		
		13740 300 ALT		

NAME	PART NUMBER												
	V-6 SINGLE - 13643			V-8 SINGLE - 34 & 44				V-8 DUAL					
	ALL. LESS WAGONS	WAGONS	COLOR CODE	ALL. LESS WAGONS	REGULAR WAGONS	SPORT-WAGONS	COLOR CODE	43417		46			
								RIGHT	LEFT	COLOR CODE	RIGHT	LEFT	COLOR CODE
PIPE ASSEMBLY - EXHAUST FRONT	1377251		1- YELLOW SPOT	1377251	OPTIONAL (300 CU. IN)	1381456	1- BLUE SPOT	383936		1- GREEN SPOT	382006		1- ORANGE SPOT
	1375977			1375649	(340 CU. IN)		1- RED SPOT	383937		1- WHITE SPOT		382007	
PIPE ASSEMBLY - EXHAUST INTERMEDIATE	1372949		1- RED SPOT	1369940		1381455	1- BLUE SPOT						
							1- WHITE SPOT						
PIPE ASSEMBLY - EXHAUST REAR						1376545	2- BLUE SPOTS						
	1369946		2- GREEN SPOTS	1369942			2- ORANGE SPOTS	369942		2- ORANGE SPOTS	369942		2- ORANGE SPOTS
PIPE - TAIL							2- RED SPOTS						
	1369938		1- WHITE SPOT	1369943		1376548	NO SPOTS	372721		2- WHITE SPOTS	372721		2- WHITE SPOTS

SPORTWAGON 400

PAINT SPOTS .50 DIA APPROX.

DO NOT SCALE REPORT ERRORS
 TOLERANCES UNLESS OTHERWISE SPECIFIED
 * ALLOWED ON TWO PLACE DECIMALS
 ± .010 ALLOWED ON THREE PLACE DECIMALS
 COMMERCIAL TOLERANCES APPLY TO STANDARD PARTS - ROLLED SECTIONS - SHEET METAL GAGES - DRILLED AND PUNCHED HOLES.
 BURR ALL DRILLED HOLES. COUNTERSINK ALL TAPPED HOLES .030 X 90°.

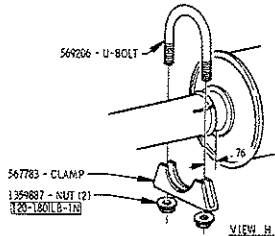
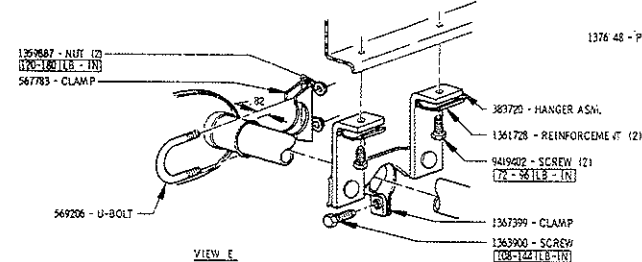
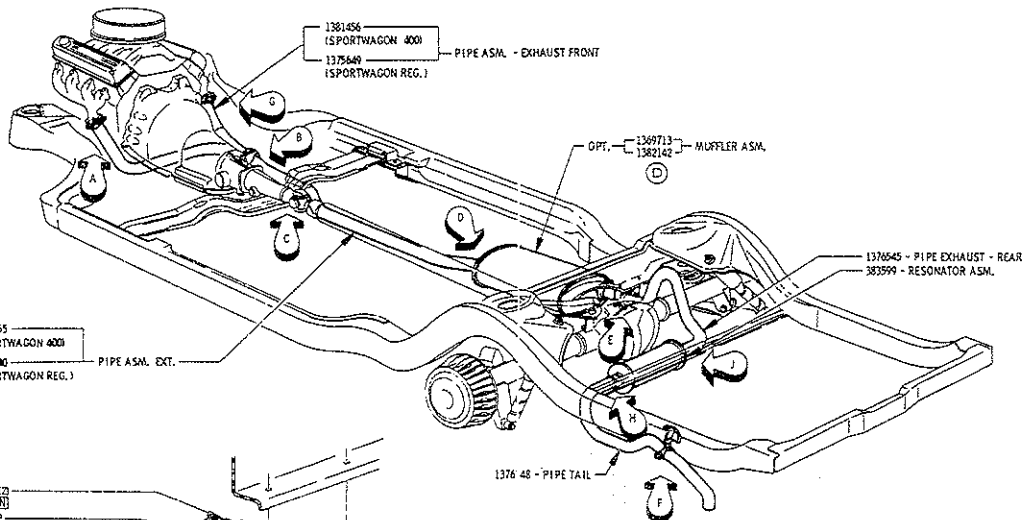
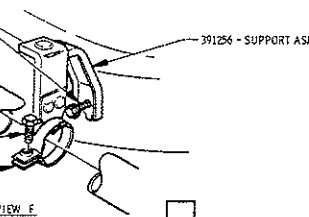
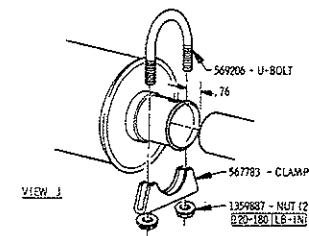
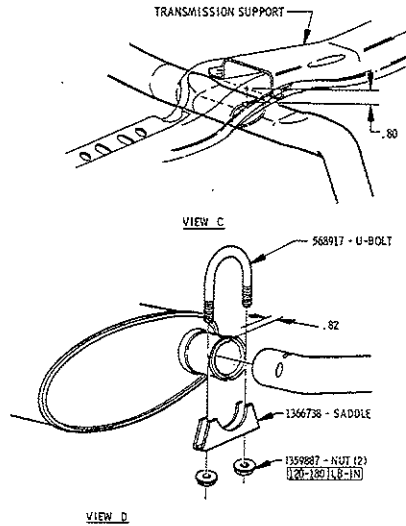
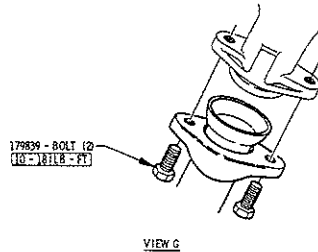
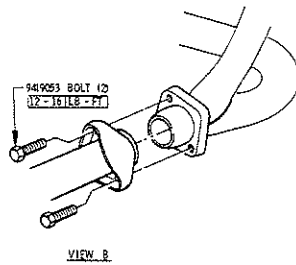
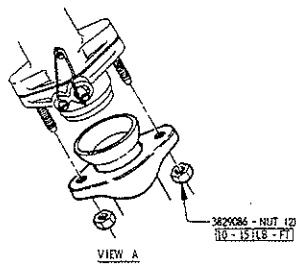
DWG. DATE 11-19-65 SCALE DR. JIM MORRISH
 FIRST USED 9-67-63 APPR.
 34-43-44-46 APPR.
 REFERENCE 157723 APPR.
 15628, 15645, 1453 APPR.
 MATERIAL SPEC.

NAME CHART - EXHAUST PIPE COLOR CODING

PART NO.	INDEX
1379914	8-21

1379914

1379914



DATE	BY	REVISION RECORD	AUTH.	DR.	CHK.
10-26-65	A	"A" REMOVED			
11-11-65	B	1381456 - SPORTWAGON 400			
12-14-65	C	REVISION - REVISED TO DETAIL			
1-20-66	D	1362714 TO 1382142			

SEALER 998020 TO BE APPLIED TO ALL SLIP JOINTS BEFORE ASSEMBLY.
 THE COMPLETE SYSTEM MUST HANG FREE AND WITHOUT BIND ON ITS RUBBER HANGERS.
 ALL FLANGES TO BE PARALLEL WITH MATE & PERPENDICULAR TO Q OF PIPE.

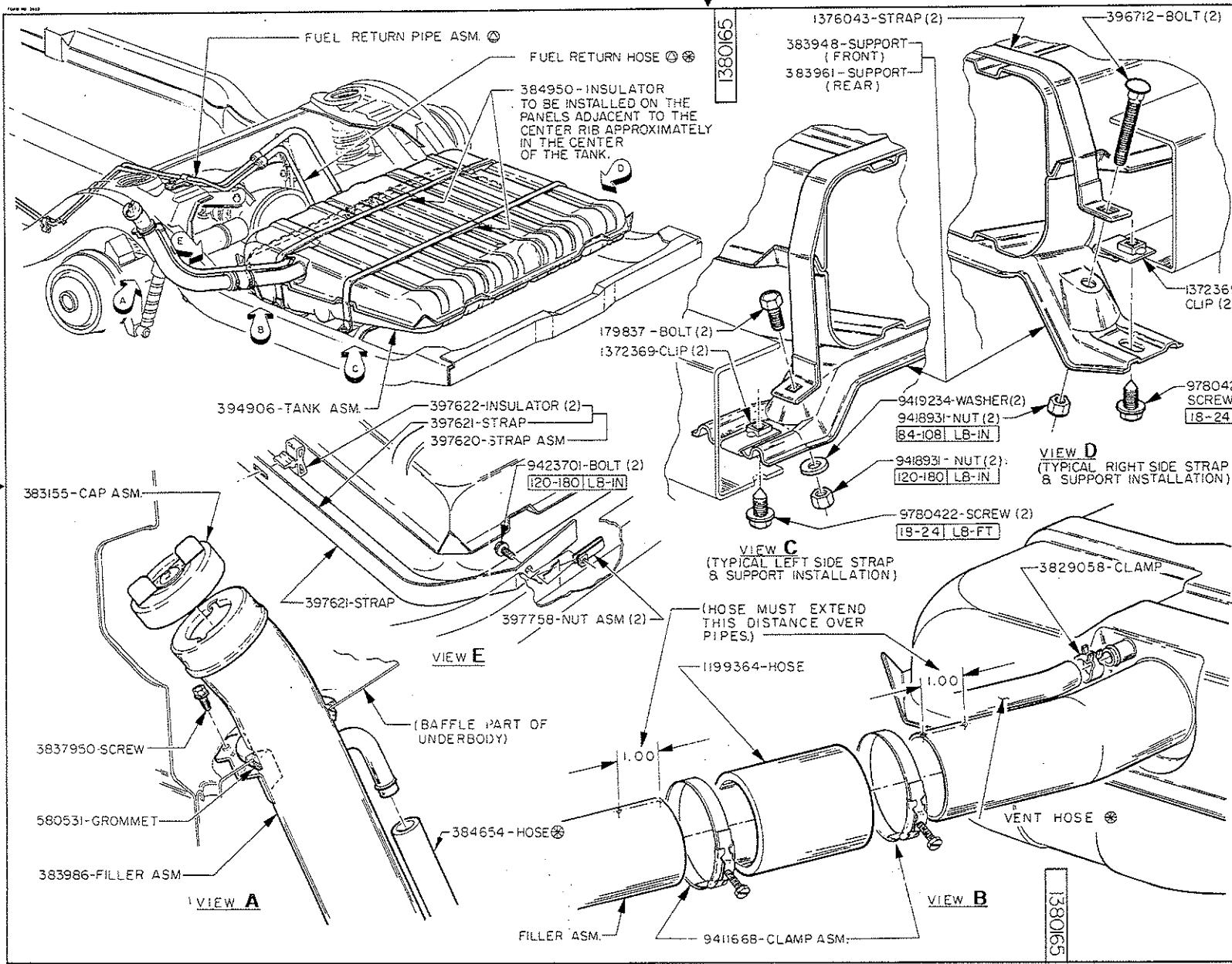
DO NOT SCALE TOLERANCES UNLESS OTHERWISE SPECIFIED ± ALLOWED ON TWO PLACE DECIMALS ± .010 ALLOWED ON THREE PLACE DECIMALS COMMERCIAL TOLERANCES APPLY TO STANDARD PARTS - ROLLED SECTIONS - SHEET METAL GAGES - DRILLED AND PUNCHED HOLES. BURN ALL DRILLED HOLES. COUNTERSINK ALL TAPPED HOLES .030 X 90°.

DWG. DATE	SCALE	DR.
9-28-65		J. MIERGARTH
FIRST USED		
1957 - 0655-65		
REFERENCE		

SINGLE - 340 CU. IN.	
NAME EXHAUST INFORMATION ASSEMBLY	
PART NO. 1379088	INDEX 8-51

1379088

BUICK MOTOR DIVIS. JN
GENERAL MOTORS CORPORATION
FLINT, MI U.S.A.



DATE	SYMBOL	REVISION RECORD	AUTH.	DR.	CHK.
12-2-55	A	REVISED TO 383948	W. H. HARRIS		
12-2-55	B	REVISED TO 396712	W. H. HARRIS		
12-2-55	C	VIEW E ADDED	W. H. HARRIS		
12-2-55	D	VIEW D ADDED	W. H. HARRIS		
12-2-55	E	NOTE REVISED	W. H. HARRIS		

ⓔ DESIGNATES AIR CONDITION ON V-8 2 BARREL ENGINE ONLY, OMIT ON V-8 4 BARREL ENGINE.

ASSEMBLY AID 1365002 MAY BE USED AT PARTS MARKED ⓔ

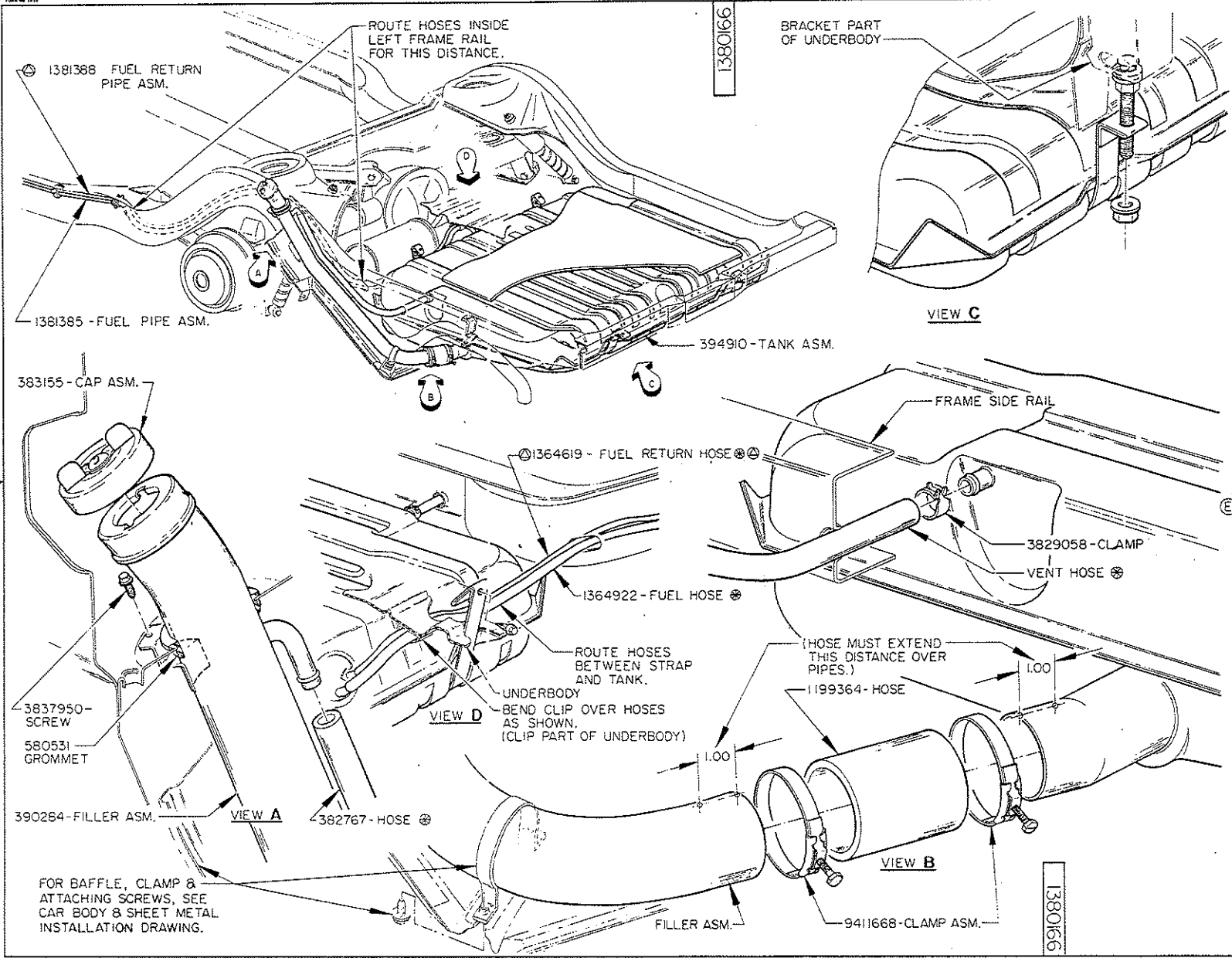
OTHERWISE SAME AS 1381281

DO NOT SCALE REPORT ERRORS
TOLERANCES UNLESS OTHERWISE SPECIFIED
± ALLOWED ON TWO PLACE DECIMALS
±.010 ALLOWED ON THREE PLACE DECIMALS
COMMERCIAL TOLERANCES APPLY TO STANDARD PARTS - ROLLED SECTIONS - SHEET METAL GAGES - DRILLED AND PUNCHED HOLES.
BURR ALL DRILLED HOLES. COUNTERSINK ALL TAPPED HOLES .030 X 90°.

DWG. DATE	SCALE	DR. MODERN ENG.
12-2-55		CK
FIRST USED 3335-3435		APPR.
1967 3635-3635		APPR.
REFERENCE		APPR.

NON-AIR-COND. AND AIR-COND.	
NAME FUEL SYSTEM INFO.	
ASSEMBLY	
PART NO. 1380165	INDEX 8-71

BUICK MOTION DIVIS. JN
GENERAL MOTORS CORPORATION
FLINT, MI 48803
U. S. A.



DATE	BY	REVISION RECORD	AUTH	BUICK
6-1-66	A	FIRST USED	REVISED	BY
8-1-66	C	VIEW B REVISED		
8-21-66	D	394910 TO 394909 TO		
11-7-66	E	NOTE REVISED		

Ⓐ DESIGNATES AIR CONDITION ON V-8 2 BARREL ENGINE ONLY, OMIT ON V-8 4 BARREL ENGINE.

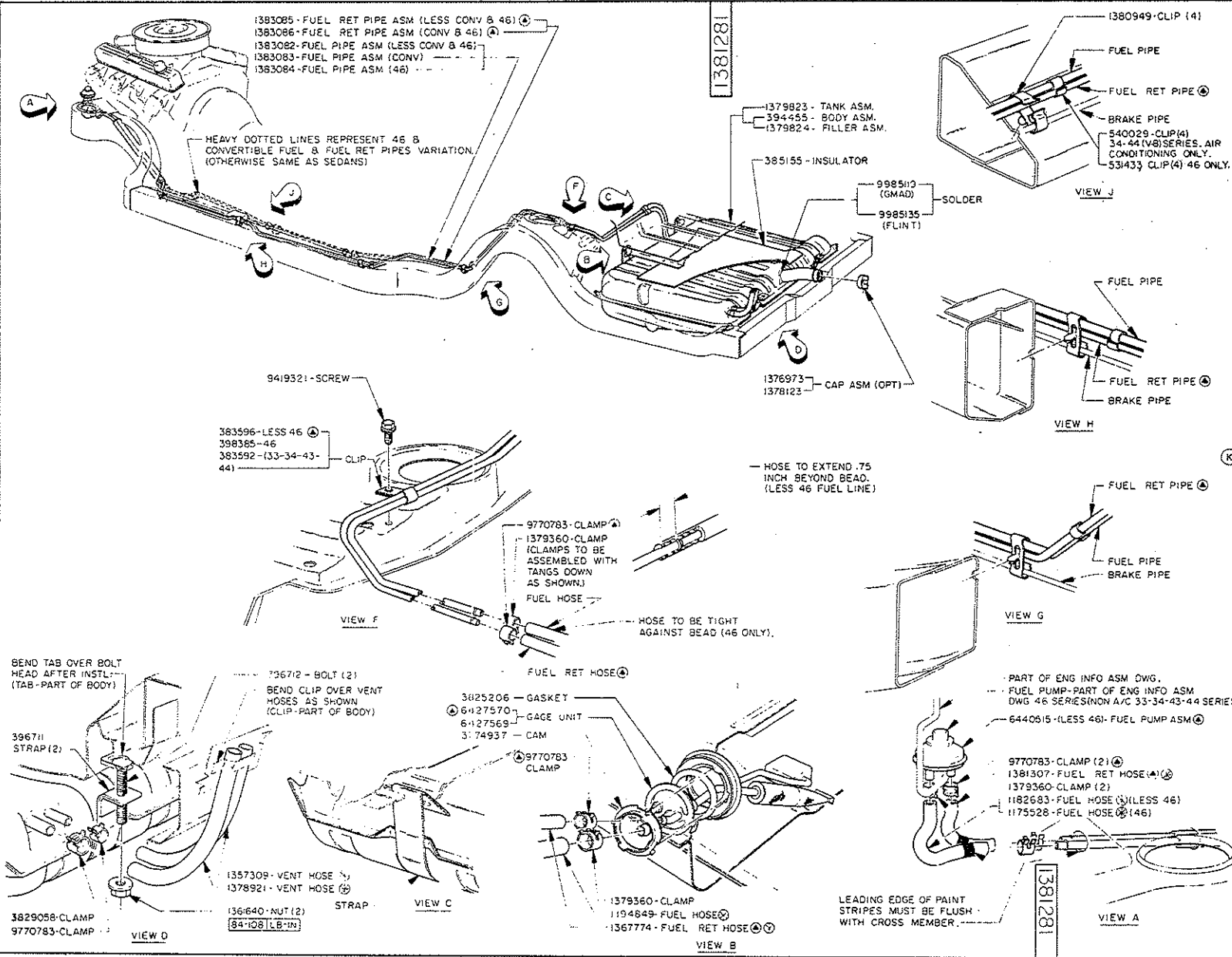
ASSEMBLY AID 1365002 MAY BE USED AT PARTS MARKED Ⓢ

OTHERWISE SAME AS 1381281

DO NOT SCALE TOLERANCES UNLESS OTHERWISE SPECIFIED
 2 -- ALLOWED ON TWO PLACE DECIMALS
 3 -- ALLOWED ON THREE PLACE DECIMALS
 COMMERCIAL TOLERANCES APPLY TO STANDARD PARTS - ROLLED SECTIONS - SHEET METAL GAGES - DRILLED AND PUNCHED HOLES.
 BURR ALL DRILLED HOLES. COUNTERSINK ALL TAPPED HOLES .030 X 90°.

DWG. DATE	SCALE	OR MODERN ENG.
12-8-65		CR
FIRST USED		APPR.
1967 4455-65		APPR.
REFERENCE		APPR.

NON-AIR-COND. AND AIR-COND.	
NAME FUEL SYSTEM INFO. ASSEMBLY	
PART NO.	INDEX
1380166	8-8.1



DATE	SYM	REVISION RECORD	AUTH	DR. CHECK
3-24-66	A	1376042 TO 146711 & 4620045 ADDED	70401	RK/AT
3-24-66	B	NOTE REVISED	10434	RM/AT
3-24-66	C	540029 TO 1194849 & 531433 TO 1194849	70401	RK/AT
3-24-66	D	540029 TO 1194849 & 531433 TO 1194849	70401	RK/AT
3-24-66	E	540029 TO 1194849 & 531433 TO 1194849	70401	RK/AT
3-24-66	F	540029 TO 1194849 & 531433 TO 1194849	70401	RK/AT
3-24-66	G	540029 TO 1194849 & 531433 TO 1194849	70401	RK/AT
3-24-66	H	540029 TO 1194849 & 531433 TO 1194849	70401	RK/AT
3-24-66	I	540029 TO 1194849 & 531433 TO 1194849	70401	RK/AT
3-24-66	J	540029 TO 1194849 & 531433 TO 1194849	70401	RK/AT
3-24-66	K	540029 TO 1194849 & 531433 TO 1194849	70401	RK/AT

(K) (A) DESIGNATES AIR CONDITIONING ON 34-44 V-8 2 BARREL ENGINE ONLY, OMIT ON 34-44 V-8 4 BARREL ENGINE, COMES STANDARD ON 46 SERIES.

TANK ASM WITH GAGE IN PLACE MUST BE LEAK PROOF AT 5 PSI OF AIR.

ASSEMBLY AID 1365002 MAY BE USED AT PARTS MARKED (K).

ALL LINES & CONNECTIONS MUST BE FREE OF LEAKS UNDER OPERATING CONDITIONS.

1967-68 33-43-44-46-LESS WAGONS

DO NOT SCALE	REPORT ERRORS
TOLERANCES UNLESS OTHERWISE SPECIFIED	± ALLOWED ON TWO PLACE DECIMALS
± .010 ALLOWED ON THREE PLACE DECIMALS	COMMERCIAL TOLERANCES APPLY TO STANDARD PARTS - ROLLED SECTIONS - SHEET METAL GAGES - DRILLED AND PUNCHED HOLES
BURR ALL DRILLED HOLES. COUNTERSINK ALL TAPPED HOLES .030 X 90°.	
DWG. DATE	SCALE
2-18-66	DR. H. ANDERSON
FIRST USED	EX. <i>H. Anderson</i>
SEE NOTE	APPR.
REFERENCE	APPR.
	APPR.
NON AIR COND & AIR COND	
NAME FUEL SYSTEM	
INFORMATION ASSEMBLY	
PART NO.	INDEX
1381281	8-9.1