



1967 BUICK ASSEMBLY INSTRUCTION MANUAL

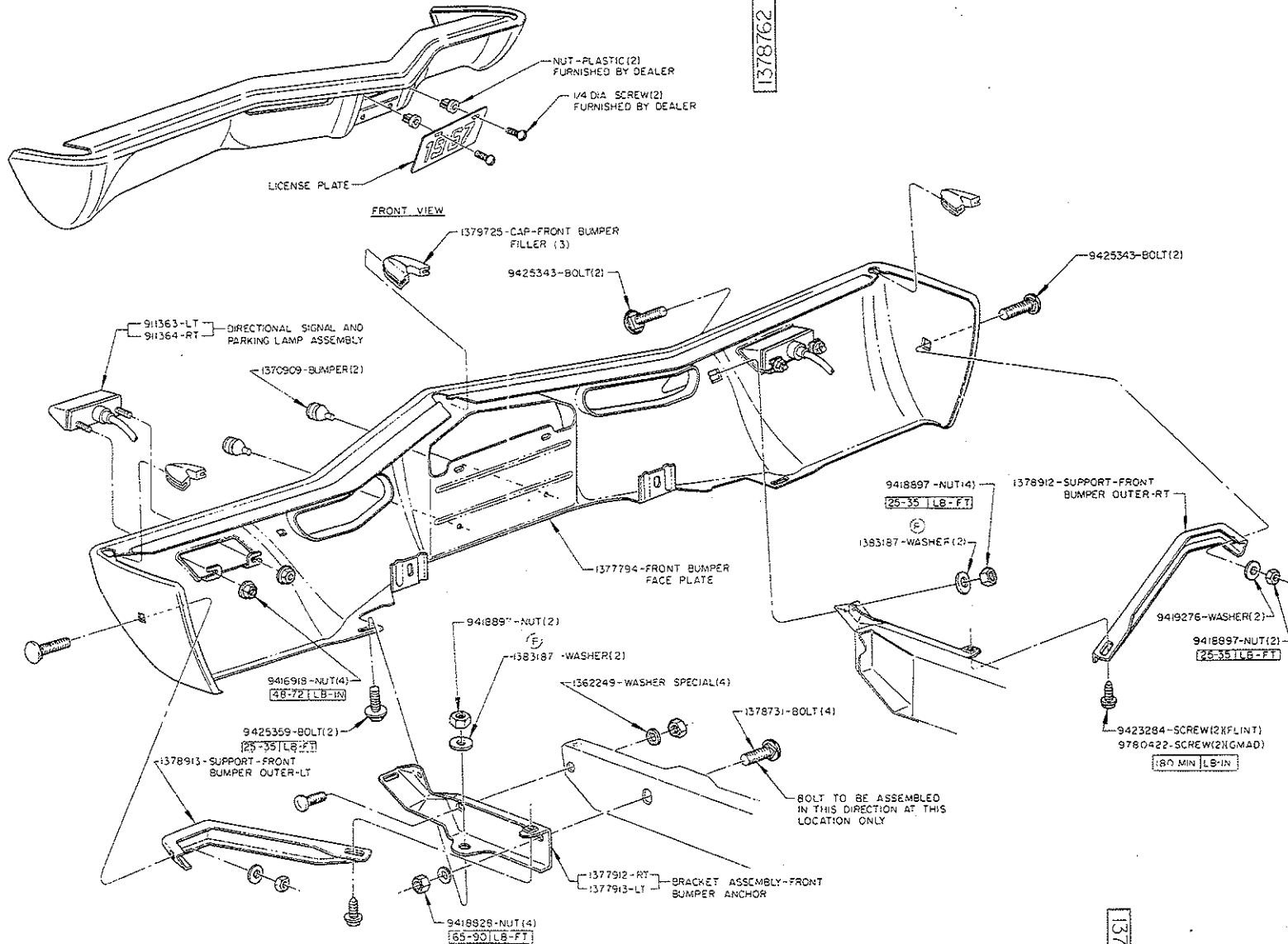
SPECIAL - SKYLARK 43000 - 44000 SERIES
BUMPERS & BACK-UP LAMPS (SECTION 14)

<u>Index</u>	<u>Page No.</u>
Front Bumper Installation See 0-4.1 for Appearance Dimensions	14-2.1
Rear Bumper & Back-Up Lamp Installations (Except Wagons) See 0-4.1 for Appearance Dimensions	14-3.1
Rear Bumper & Back-Up Lamp Installation (Wagons) See 0-6.1 for Appearance Dimensions	14-4.1

PART NUMBER-1379480

PAGE NUMBER- 14-1.0

BUICK MOTOR DIVISION
GENERAL MOTORS CORPORATION
WARREN, MICH., U. S. A.



DATE	SYMBOL	REVISION RECORD	AUTH.	DRICK
27	66	B	1379725 TO 1380100	
			FILLER CAP RT LT	
28	66	C	1379725 TO 1380100	
			USE OLD TO 2/2/66	
			9419276 TO 2/2/66	
			42-50 LB FT TO 25-35	
			1/4 BT 1942193 TO	
			9419276 9419276 WASHER	
			(2) ADDED 1381640 TO	
			9418897 15-25 LB FT	
			TO 25-35 LB FT 9419276	
			WASHER 21A COLD	
			9418897 NUT 12 ADDED	
			9423284 TO 9423284	
			TORQUE NOTE ADDED	
			113822 FILLER CAP	
			ADDED	
06	68	D	1380100-1-RT-LT	
			POWER CAP REMOVED	
			1379655 TO 1378155	
			FILLER CAP (3)	
08	68	E	1378912 2 1378913	
			(2) (GMAD) ADDED	
11	68	F	9419276 TO 1380187	
			(2 PLACES)	

SEE CAR APPEARANCE DIMENSION CHART FOR ALIGNMENT INFO.

WHERE MINIMUM TORQUE ONLY IS SPECIFIED FAILURE TORQUE IS AT LEAST 1/3 HIGHER.

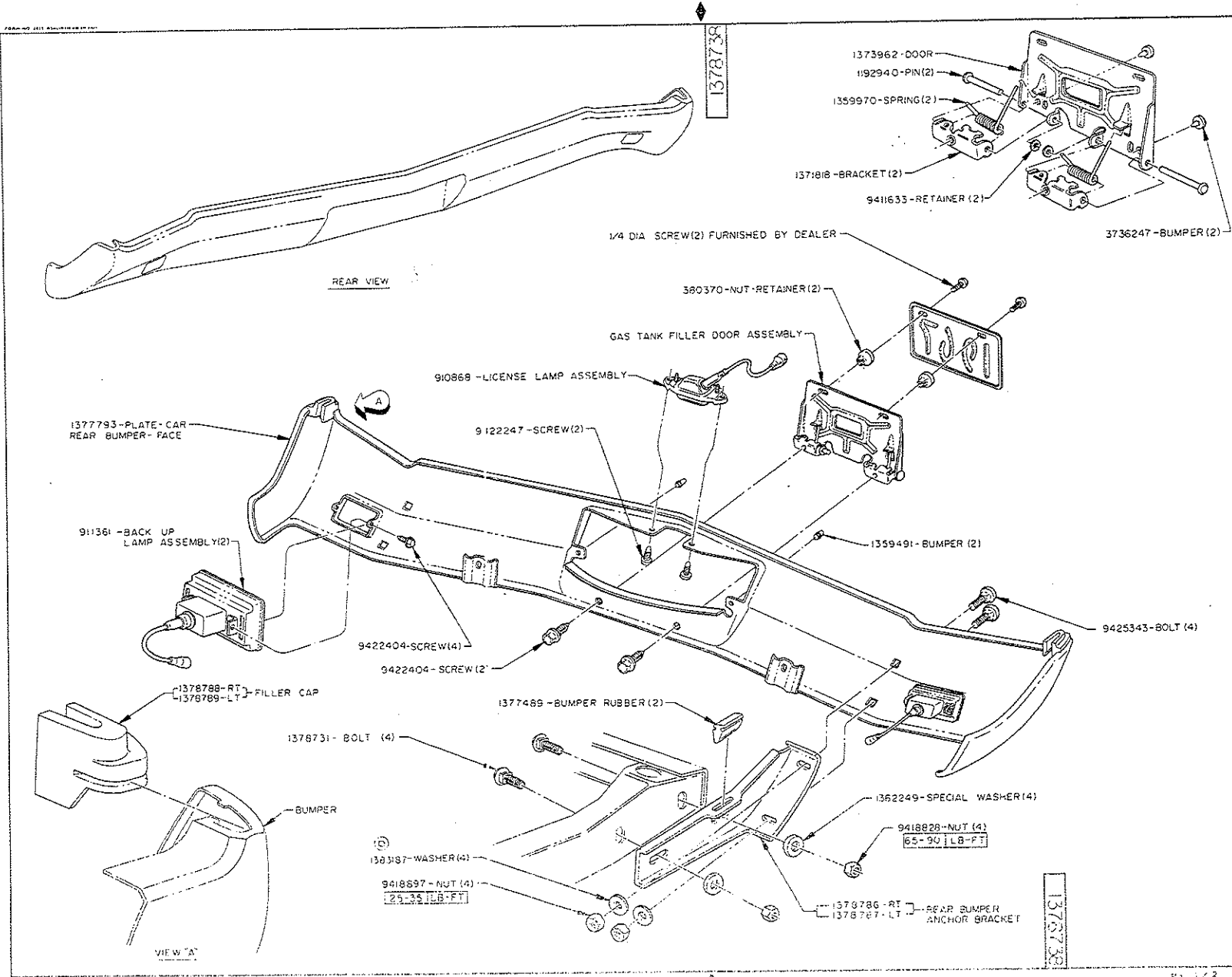
DO NOT SCALE	REPORT ERRORS	
TOLERANCES UNLESS OTHERWISE SPECIFIED	1 ALLOWED ON TWO PLACE DECIMALS	
2 .010 ALLOWED ON THREE PLACE DECIMALS	COMMERCIAL TOLERANCES APPLY TO STANDARD PARTS - ROLLED SECTIONS - SHEET METAL GAGES - DRILLED AND PUNCHED HOLES.	
BURR ALL DRILLED HOLES. COUNTERSINK ALL TAPPED HOLES .030 X 90°.		
DWG. DATE	SCALE	ROOM - CRAFT
10-21-65	NONE	CK. MOZAN AK
FIRST USED 1967-33-34	APPR.	
35-36-42-43-44-46	APPR.	
REFERENCE	APPR.	
MATERIAL SPEC.	APPR.	

NAME	
FRONT BUMPER INSTALLATION	
PART NO.	INDEX
1378762	14-21

1378762

V3 P14515

BUICK MOTOR DIVISION
GENERAL MOTORS CORPORATION
WARREN, MICH., U. S. A.



DATE	SYM	REVISION RECORD	AUTH	ORIG
12-24-65	A	REMOVED	WJ	WJ
2-24-66	B	1373962 TO 1373962	WJ	WJ
		9418828 TO 9418827		
		45-90 LB FT TO 25.35		
		1377366 TO 1377366		
		9425343		
12-24-65	C	1373962 TO 1373962	WJ	WJ
		1359970 TO 1359970		
11-24-66	D	9418697 TO 9418697	WJ	WJ
		17330 TO 17330		

SEE CAR APPEARANCE DIMENSION CHART FOR ALIGNMENT INFO

DO NOT SCALE		REPORT ERRORS	
TOLERANCES UNLESS OTHERWISE SPECIFIED			
± ALLOWED ON TWO PLACE DECIMALS			
± .010 ALLOWED ON THREE PLACE DECIMALS			
COMMERCIAL TOLERANCES APPLY TO STANDARD PARTS - ROLLED SECTIONS - SHEET METAL GAGES - DRILLED AND PUNCHED HOLES.			
SURR ALL DRILLED HOLES. COUNTERSINK ALL TAPPED HOLES .030 X 90°.			
DWG. DATE	SCALE	DR.	DOMROESE
8-24-65	NONE	CK.	J. WOZNIAK
FIRST USED	1967	APPR.	
REFERENCE	32-34-45-46-66	APPR.	
MATERIAL SPEC.			
ALL LESS STATION WAGON			
NAME REAR BUMPER & BACK UP LAMP INSTALLATION			
PART NO.	INDEX		
1378738	14-3.1		

B2 V3 F14 S13

