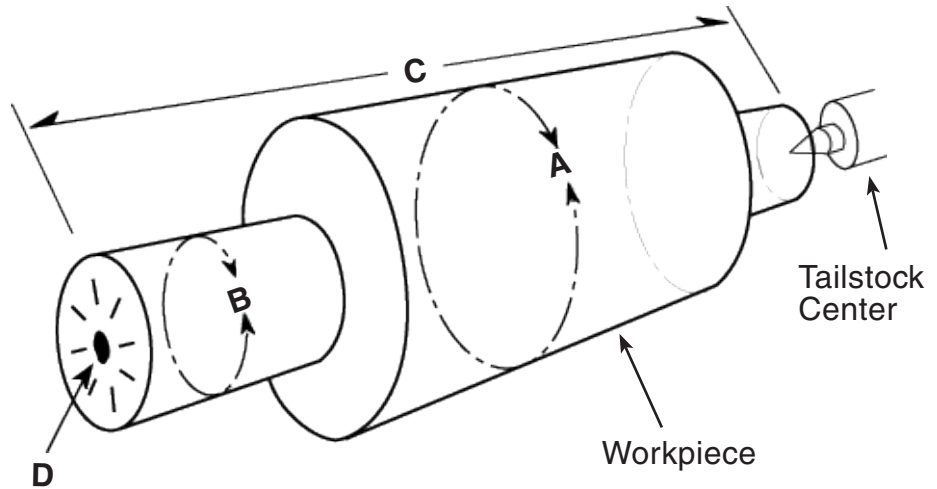




Information Request

The following technical information is needed to determine your face driver requirements. Please complete and fax to Riten at 1-800-338-0717. If you have any questions please phone our customer service department at 1-800-338-0027.



Face Driver Mounting Data

Type of mount (check one): Flange mount Chuck mount Taper mount Other _____

If flange mount (check one): A2-5 A2-6 A2-8 A2-11 Other _____

If taper mount (check one): 3 MT 4 MT 5 MT 6 MT Other _____

Workpiece Data

Workpiece Name (description): _____

- A Beginning Diameter: _____
- B Finished Diameter: _____
- C Overall Length of Workpiece: _____
- D Center Hole Diameter: _____
- E Center: Live ____ Dead ____
- Material Type: _____
- Material Hardness: Rc _____ BHN _____
- Workpiece Weight: _____
- Concentricity to Achieve: _____
- Maximum Tailstock Ability Force (lbs.): _____

Please attach finished part print to this application data request sheet.

Operation

Maximum Depth of Cut: _____

Feed/Revolution: _____

Cutting Speed (inch/rev.): _____

RPM: _____

Are there simultaneous operations? Yes No

Spindle rotation:

Clockwise Counterclockwise Both

Machine Data

Machine Type (check one): Lathe Mill Hobber Grinder Other _____

Machine manufacturer: _____ Machine Model No: _____

Tailstock center: Live Dead

Tailstock center size: 3MT 4MT 5MT Other _____

Maximum tailstock force available (lbs.): _____