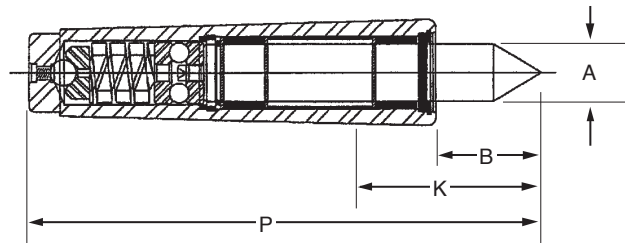


- Accuracy to  $\pm .0001$ .
- Spring loaded spindle compensates for thermal expansion.
- Low profile - less overhang, added load capacity, and increased rigidity

# CONCENTRIC Spring Loaded Live Centers

## Standard Spring Loaded Live Center, Standard Point

(also available in Brown & Sharpe and Jarno tapers and straight shanks)

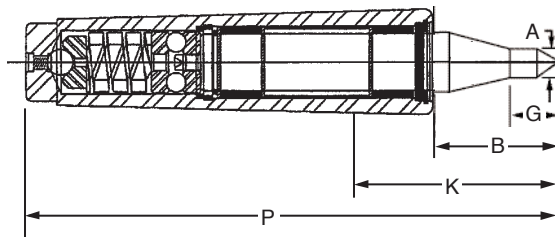


STANDARD POINT, MORSE TAPER									
Model	MT	A	B	K*	P	Max Thrust Load	Max Spring Travel	Max W.P. Weight	Max RPM
17102	2	.378	.880	1.380	3.95	173	3/32	274	3000
17103	3	.558	1.160	1.690	4.95	235	1/8	400	3000
17104	4	.686	1.380	2.380	6.29	780	5/32	960	2000
17105	5	1.075	2.000	2.880	8.02	1088	3/16	1450	1500

\* K: Gage line to point typical for Morse Tapers.

**NEW!**

## Standard Spring Loaded Live Center, Long Point

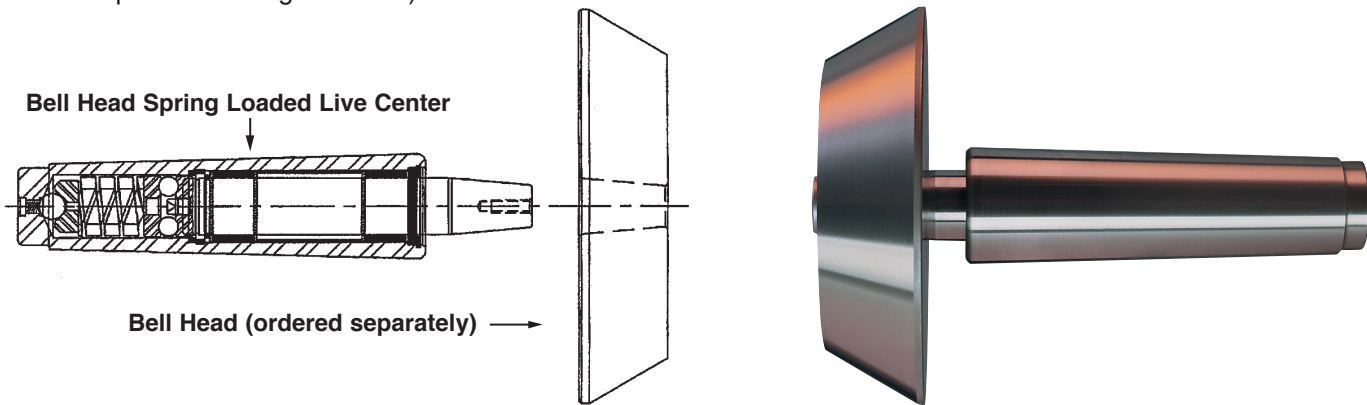


LONG POINT, MORSE TAPER										
Model	MT	A	B	G	K*	P	Max Thrust Load	Max Spring Travel	Max W.P. Weight	Max RPM
17162	2	.188	.880	.350	1.380	3.95	173	3/32	150	3000
17163	3	.250	1.160	.470	1.690	4.95	235	1/8	260	3000
17164	4	.375	1.380	.700	2.380	6.29	780	5/32	580	2000
17165	5	.500	2.000	.930	2.880	8.02	1088	3/16	1100	1500

\* K: Gage line to point typical for Morse Tapers.

## Bell Head Spring Loaded Live Center

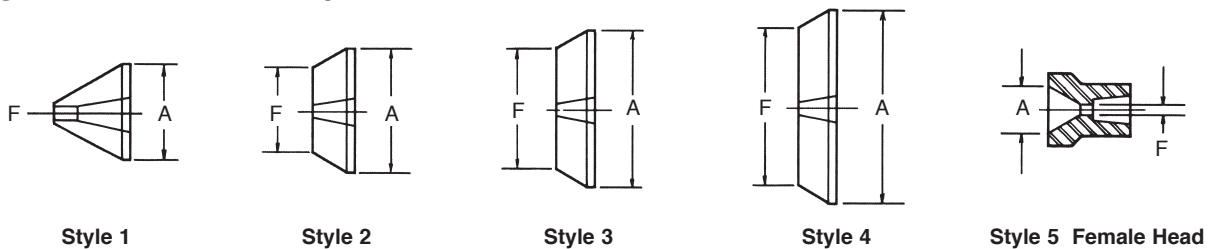
(also available in Brown & Sharpe and Jarno tapers and straight shanks)



BELL HEAD, MORSE TAPER									
Model	MT	A	B	K*	P	Max Thrust Load	Max Spring Travel	Max W.P. Weight	Max RPM
17122	2	.378	.880	1.380	3.95	173	3/32	274	3000
17123	3	.558	1.160	1.690	4.95	235	1/8	400	3000
17124	4	.686	1.380	2.380	6.29	780	5/32	960	2000
17125	5	1.075	2.000	2.880	8.02	1088	3/16	1450	1500

\* K: Gage line to point typical for Morse Tapers.

## Interchangeable Bell Head Adapters



MT	STYLE 1			STYLE 2			STYLE 3			STYLE 4			STYLE 5		
	Part No.	A	F	Part No.	A	F	Part No.	A	F	Part No.	A	F	Part No.	A	F
2	00231	1.31	0.25	00232	1.82	1.24	00233	2.33	1.75	00234	2.84	2.26	00235	0.76	0.13
3	00331	1.83	0.35	00332	2.58	1.72	00333	3.32	2.46	00334	4.06	3.20	00335	1.12	0.19
4	00431	2.27	0.36	00432	3.25	2.17	00433	4.22	3.14	00434	5.19	4.11	00435	1.37	0.23
5	00531	3.33	0.51	00532	4.80	3.21	00533	6.19	4.60	00534	7.65	6.06	00535	2.00	0.38

Your local authorized Riten distributor:



*Solutions, not excuses*

**Riten Industries, Inc.**

1100 Lakeview Avenue, P.O. Box 340  
 Washington Court House, OH 43160 USA  
 800-338-0027 • [www.riten.com](http://www.riten.com)