



## LESSON SNAPSHOT

**BOTTOM LINE:**

The Bible contains God's instructions for our lives.

**OBJECTIVE:**

Kids will learn that we need to follow God's instructions in His Word.

**KEY PASSAGE:**

Genesis 6:9-22, Noah Builds the Ark

**MEMORY VERSE:**

*"If the Lord doesn't build a house, the work of the builders is useless." Psalm 127:1a (NirV)*

**SUMMARY:**

Every construction project has blueprints – detailed plans of how to build and what the finished project should look like. When God told Noah to build the ark, he gave him detailed instructions on how to build it. Noah followed God's blueprint exactly, and Noah and his family were saved.

**SIMPLE PRAYER:**

*Dear God,*

*Thank you for the message of the Bible.*

*In Jesus' name,*

*Amen*



## MEMORY VERSE

*“Unless the Lord builds the house, the builders labor in vain.” Psalm 127:1a (NIV)*

*“If the Lord doesn’t build a house, the work of the builders is useless.” Psalm 127:1a (NirV)*

### **LARGE GROUP:**

Have the kids read the verse together. Read it normally, then in a whisper, then really, really loud!

### **SMALL GROUP:**

Go around the group in a circle and have each kid read one word of the verse until the whole verse has been read. Do it two or three times, see how fast you can go.



## SKIT

### NOW WHERE'S THE SCRIPT?

#### ITEMS NEEDED:

A hardhat and construction uniform for Rusty  
A serious businesswomen's outfit for Tenille  
A "permit"

#### CHARACTER BREAKDOWN:

1 M, 1 F

#### CHARACTERS:

Rusty - A construction foreman  
Tenille - A serious business woman

*Rusty enters and takes center stage.*

RUSTY: Hey there, kids. It's Rusty your construction foreman. I'm sorry for all that confusion last week. I thought we had everything we needed to get started on this building project, but as you saw, we didn't have the permit to do the skit to kick this series off right. (*pulls out a sheet of paper*) Here it is! We have our permit. And now we can go on with the series.

*Tenille enters.*

TENILLE: Hello, Rusty.

RUSTY: Tenille, hello. I hope you're not here to stop me from doing my skit this week. I have my permit.

TENILLE: Yes, I heard you when I was off stage.

RUSTY: Then I have your permission to do the skit?

TENILLE: Of course you do.

RUSTY: Good.

TENILLE: As long as you follow the approved script, of course.

# SKIT

RUSTY: The script? Yes, of course the script! I have it around here some place.

TENILLE: I sure hope so. The script is what tells you what to say when you are on stage. It outlines all the dialogue, the action, and most important to us at the American Association of Comedy, the jokes.

RUSTY: I know what the script is. I just can't find it.

TENILLE: You've lost the script?

RUSTY: I don't understand! I just had it.

TENILLE: If you don't follow the script—

RUSTY: I know! I know, I can't do the skit.

TENILLE: So where is the script?

RUSTY: I don't know. I know it's about blueprints. Those are the plans that you use to build a building.

TENILLE: I know, kind of like how a script tells you what to say on stage.

RUSTY: Exactly. And when you follow every detail, your building will come together just right.

TENILLE: Kind of like following a script?

RUSTY: Or following the Bible, which is God's Word and his blueprint for our lives. Where could that script be?

TENILLE: I'm sorry, Rusty, if there's no script, I'm going to have to shut you down again.

RUSTY: Come on! This is an important lesson!

TENILLE: You need to follow the script.

RUSTY: And you need to follow God's Word because that's the script, I mean the blueprint—

TENILLE: Sorry, Rusty, scene's over. Come back again next week.

RUSTY: Man!!!



## OBJECT LESSON OR KIDS SERMON

### ITEMS NEEDED:

A plastic model kit

How many of you have built a plastic model kit, on your own or with an adult? Some of these model kits are fairly simple, with very few pieces. You can open the box, break the pieces out of their frames, and assemble them just by looking at the picture on the front. But these models are not always that simple. When you get into the advanced level models, especially the ones that require glue and paint and decals, you can quickly end up in a lot of trouble. That is, unless you open the directions and follow them.

God doesn't want us to get into trouble. That's why He gave us the Bible, to guide and direct us. When we follow the Word of God, we will build our life right the first way. That doesn't mean we won't have hard times or trouble, but it does mean we will build a faith that can weather the storms, just like the ark.

God gave us the blueprint to a successful life. The more we stick to the blueprints, the more blessed we will be!



# LARGE GROUP GAME

## OBSTACLE COURSE

### ITEMS NEEDED:

An assortment of props found lying in the kids storage closet.

### INSTRUCTIONS:

Set up a complicated obstacle course in your room, improvising obstacles from items you have on hand from past series and just for kicks. Make at least 5-6 obstacles or stations that competitors must go through, but do not put them in order.

### VARIATION:

Choose two players, who will run the course separately for time. Tell them the order they must complete each obstacle, and then where they must go to the finish line. Let one player go first, then the other. For every obstacle they do out of turn, add 5 seconds to their time. The player with the shortest time is the winner.

For younger kids, make the course simple and linear, with no deductions for time.

### WHAT'S THE POINT?

God wants us to follow His instructions in His Word, the Bible.



# LARGE GROUP LESSON

**BOTTOM LINE:**

The Bible contains God's instructions for our lives.

**OBJECTIVE:**

Kids will learn that we need to follow God's instructions in His Word.

**KEY PASSAGE:**

Genesis 6:9-22, Noah Builds the Ark

**INTRO:**

Imagine a construction site where there are no plans. Imagine a construction crew trying to build a giant football stadium without any plans whatsoever. Do you have any idea how chaotic that construction site would be? If there was no blueprint, there would be no way to know where to even start. Where do the locker rooms go? Where is the field going to be? How steep do the bleachers need to be? Where are the bathrooms? What about the concession stand? What about the T-shirt shop? How would the builders even know what materials to use? How would they know if they have enough concrete, metal framing, lumber, and toilets to make a decent stadium?

Blueprints are the guide that show a builder how to make a building. It doesn't matter if you're building a high rise, a stadium, or even a small house, you have to have plans. The blueprint tells you everything. It tells you how much material is needed, and what kinds. It tells you how to run the plumbing and electrical. It tells you how big the rooms should be and how high the walls need to go. Every tiny detail, even how many door knobs are needed, are included in the blueprint. It's the one single document that tells everyone, from the guy buying the nails to the guy putting on the roof, what is needed to finish the job.

The Bible says a wise builder builds his house on a solid rock. That wise builder better also work from a good set of blueprints, otherwise he's going to be out of a job!

Building a solid faith is no different than building a house. We need a good set of blueprints that will help us count the cost of following Jesus and tell us how to live in every situation. Thankfully, God has given us a set of blueprints. It's the Bible. This book contains all the wisdom a boy, a girl, a man, or a woman needs to live a life that honors God.

# LARGE GROUP LESSON

It also illustrates clearly that if we follow God's instructions to the letter, like a certain builder we will meet in today's scripture, God will be faithful to save us in times of need.

## **READ GENESIS 6:9-22**

### **MAIN POINT:**

Noah and his family lived before the people who built the Tower of Babel. He and his three sons were given a construction task that proved to be even more impressive than the Tower. God gave them specific instructions to build an ark, a giant boat that would accommodate at least two of every species of animal on the face of the Earth. Noah and his boys had to follow the directions to the letter, and it took them a hundred years to complete. It was worth the effort because when the rains and the floodwaters came, Noah's family was saved.

The bigger story here is why God chose Noah's family to build such a giant boat. Noah lived in a wicked time when no one was following God's Word. Everyone but Noah's family had chosen to ignore the blueprints God had given for living, and God was so overcome with their wickedness, he decided to demolish His Creation and start over. God chose Noah not for his boat-building skills, but his faith-building experience. It's a strong reminder that we need to build our lives on the Word of God so that like Noah, we can be saved.

### **DRIVE IT HOME:**

If you open the Bible and flip through, you're going to find it's very different than a normal set of blueprints. There's no floor plan, no electrical layout, no roof plan. The book contains some straightforward instructions, like the Ten Commandments and the book of Proverbs, but for the most part it's a collection of stories. Those of you who are old enough to be doing independent reading in school know that part of reading comprehension is discovering the "main idea" of a story. Every story in the Bible has a main idea, and they all come together to give us the blueprint for life.

The story of Noah is a classic example of a Bible story filled with important ideas. It teaches us that there are consequences for disobeying God because God chose to destroy the sinfulness in the world. It teaches us that we must obey God's Word to the letter. It also teaches us that God is faithful to those who are faithful to Him. When we obey God, God will protect us and keep us safe from harm.

Just as a wise builder keeps his blueprints handy at all times. When he has a question about anything, big or small, he goes to the blueprint. Builders do not "wing it." They don't make any decisions based on a whim. The blueprint is their Bible, and the success of any building project depends on the builder following the plans.

I think you know where this is going.



# LARGE GROUP LESSON

If we want to build a strong faith, we need that Bible within reach at all times. We need to read it daily. We need to learn our memory verses. And we need to run to the Bible any time we have questions or big decisions to make. The Bible is the blueprint that saved Noah. It's the blueprint that will save you from sin and lead to you to eternal life. Like a wise builder, we need to keep our blueprint handy, and lean on the Word of God.

## **CLOSE WITH A SIMPLE PRAYER:**

*Dear God,*

*Thank you for the message of the Bible.*

*In Jesus' name,  
Amen*



## SMALL GROUP DISCUSSION (K-2ND)

### ICEBREAKER:

Have you ever made something without using the instructions that did not go well?

### MEMORY VERSE ACTIVITY:

#### Psalm 127:1a (NirV)

Go around the group in a circle and have each kid read one word of the verse until the whole verse has been read. Do it two or three times, see how fast you can go.

### SMALL GROUP GAME/ACTIVITY:

Go around the group, and ask each kid to name a movie, a song, a TV show, or a cartoon that they love. Have them stand when they give their answer, and when they answer, tell the kids that if they like that same thing, they should go and stand with the other student. See if the kids can find something in common with someone they didn't know before today.

### DISCUSSION QUESTIONS:

#### Read Genesis 6:9-22

What made Noah different from other people?

What did God tell Noah to do?

What specific instructions did God give Noah?

What specific instructions has God given us?

Why do we need to read the Bible daily?

### SIMPLE PRAYER:

*Dear God,*

*Help us to learn your Word so we can obey you.*

*In Jesus' name,  
Amen*



## SMALL GROUP DISCUSSION (3-5TH)

### ICEBREAKER:

Have you ever made something without using the instructions that did not go well?

### MEMORY VERSE ACTIVITY:

Psalm 127:1a (NIRV)

Go around the group in a circle and have each kid read one word of the verse until the whole verse has been read. Do it two or three times, see how fast you can go.

### SMALL GROUP GAME/ACTIVITY:

Go around the group, and ask each kid to name a movie, a song, a TV show, or a cartoon that they love. Have them stand when they give their answer, and when they answer, tell the kids that if they like that same thing, they should go and stand with the other student. See if the kids can find something in common with someone they didn't know before today.

### DISCUSSION QUESTIONS:

**Read Genesis 6:9-22**

Why did God choose to save Noah?

What specific instructions did God give Noah?

Why did Noah obey God?

Why do we need to read the Bible daily?

How can the Bible give us instructions for our lives?

### SIMPLE PRAYER:

*Dear God,*

*Help us to learn your Word so we can obey you.*

*In Jesus' name,  
Amen*



# POWERPOINT REVIEW GAME

## MULTIPLE CHOICE

Noah lived in a time when \_\_\_\_\_.

- A. people had flying cars
- B. people obeyed God
- C. people did not obey God\*

God told Noah to build \_\_\_\_\_.

- A. an ark\*
- B. an apartment building
- C. a bridge

Noah built the boat using \_\_\_\_\_.

- A. his own expertise in boat building
- B. instructions God gave him\*
- C. blueprints his son made up

God saved Noah and his family because Noah \_\_\_\_\_.

- A. obeyed God's Word\*
- B. was the only man with sailing experience
- C. already had a boat

The blueprint for our lives is called \_\_\_\_\_.

- A. Betty Crocker's Cookbook
- B. The Bible\*
- C. the dictionary



# MAKE IT STICK

5 Simple Ways You Can Make This Lesson Stick With your Kids

## Under Construction Lesson 2

### THIS WEEK'S LESSON: BLUEPRINTS



#### IN THE CAR:

Ask your child what they learned about this week on the drive home:

Every construction project has blueprints – detailed plans of how to build and what the finished project should look like. When God told Noah to build the ark, he gave him detailed instructions on how to build it. Noah followed God's blueprint exactly, and Noah and his family were saved. Genesis 6:9-22, Noah Builds the Ark



#### HANGING OUT:

Make this week's lesson real:

If you have a project this week that includes specific instructions - like making a recipe or building a new piece of furniture - let the kids help. Ask them what things might have gone wrong if you had not followed instructions.



#### AT DINNER:

Here are some great discussion starters:

- What instructions did God give Noah?
- Why did God save Noah's family?
- How can we find God's instructions for our life?



#### AT BEDTIME:

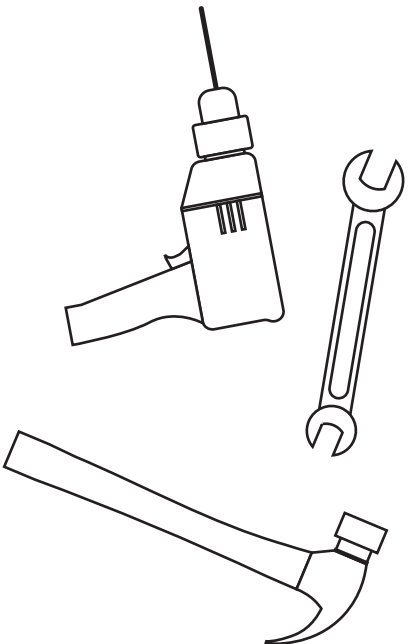
Quiz your child on this week's memory verse:

*"If the Lord doesn't build a house, the work of the builders is useless." Psalm 127:1a (NirV)*

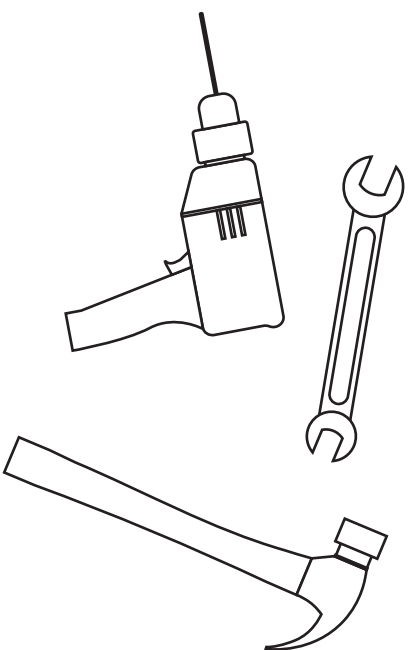


#### PARENT TIME:

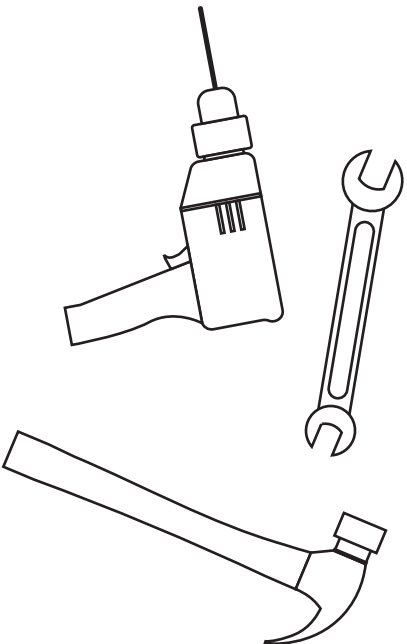
What you need to know: Is reading the Bible a daily habit of yours? Challenge yourself to read some scripture every day this week. Do it with the kids, if you can. The habits they develop now will serve them for a lifetime!



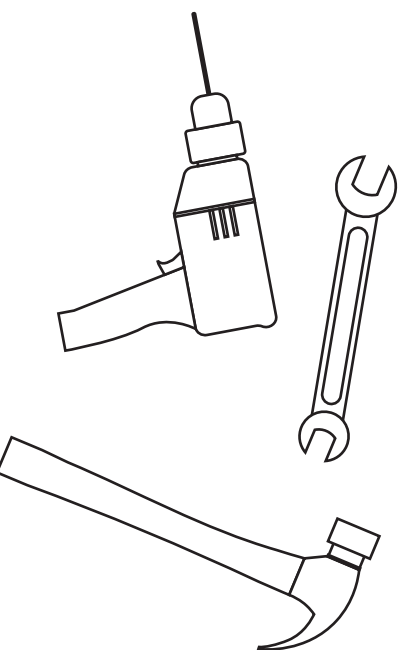
"If the Lord doesn't build a house, the work of the builders is useless."  
- Psalm 127:1a (NIRV)



"If the Lord doesn't build a house, the work of the builders is useless."  
- Psalm 127:1a (NIRV)



"If the Lord doesn't build a house, the work of the builders is useless."  
- Psalm 127:1a (NIRV)



"If the Lord doesn't build a house, the work of the builders is useless."  
- Psalm 127:1a (NIRV)



## CRAFT ACTIVITY

Have the kids make a calendar for the rest of this month or you can print the included template to give to each child. Encourage them to write down the date and the Scripture they read on each day.

