



## LESSON SNAPSHOT

**BOTTOM LINE:**

Build your life upon Jesus!

**OBJECTIVE:**

Kids will learn that the foundation we should build our lives on is Jesus.

**KEY PASSAGE:**

Luke 6:46-49, The Wise and Foolish Builders

**MEMORY VERSE:**

*“If the Lord doesn’t build a house, the work of the builders is useless.” Psalm 127:1a (NirV)*

**SUMMARY:**

It doesn’t matter how beautiful the building, if it isn’t built on a solid foundation the whole thing will fall apart. Jesus is the firm foundation that we should build our lives upon.

**SIMPLE PRAYER:**

*Dear God,*

*Help us to build our lives on Jesus.*

*In Jesus’ name,  
Amen*



## MEMORY VERSE

*“Unless the Lord builds the house, the builders labor in vain.” Psalm 127:1a (NIV)*

*“If the Lord doesn’t build a house, the work of the builders is useless.” Psalm 127:1a (NirV)*

### **LARGE GROUP:**

Play a hip-hop beat on the drums, and rap the memory verse for the kids, then have them repeat it back to you. Do this 3-4 times. See if they can do it the last time without reading it off the screen.

### **SMALL GROUP:**

Have the kids each recite or read the verse in the voice of their favorite cartoon character.



# SKIT

## WHO ORDERED THE SAND?

### ITEMS NEEDED:

A hardhat and construction uniform for Rusty  
Work clothes for Sandy

### CHARACTER BREAKDOWN:

2 M

### CHARACTERS:

Rusty - A construction foreman  
Sandy - A sand salesman

*Rusty enters and takes center stage.*

RUSTY: Hey guys, it's your old pal Rusty, the construction foreman. We're on week four of our construction project, and today, it's finally time to start making something! First thing's first, we need to lay the foundation. The foundation is the thing upon which the whole building stands, and if you don't have a strong foundation, your building won't last very long.

*Sandy enters.*

SANDY: Excuse me, I'm looking for Dusty?

RUSTY: It's Rusty.

SANDY: No, the paperwork I have says Dusty.

RUSTY: What can I do for you?

SANDY: We're here to lay the foundation on your building project.

RUSTY: You are just in time!

SANDY: Of course I am. Sandy Sanderson, owner of Sandy's Just In Time Sand Service.

# SKIT

RUSTY: Sand Service? You're delivering sand?

SANDY: That's right. Where do you want it?

RUSTY: I don't want sand!

SANDY: You don't?

RUSTY: No! I'm building a house. I need a firm foundation!

SANDY: You don't think sand is a good foundation?

RUSTY: No!!

SANDY: It's good quality sand, sir. Less than .3% seashells.

RUSTY: Look, Sandy, I need a firm foundation. I need concrete, or better yet, a rock. Like Jesus.

SANDY: Ohhh, I get ya. You don't want to build the house on sand because it might shift and move and fall.

RUSTY: Exactly.

SANDY: You wanna build a house on a solid rock, just like you'd build your life on Jesus. Then when the wind and storms come, it won't blow over.

RUSTY: And neither will you.

SANDY: Well I understand not wanting to use sand as your foundation. I'll call my buddy Connie Conners at Just In Time Concrete and send him your way.

RUSTY: Thanks.

SANDY: You sure you don't want just a little sand? You know, maybe a sandbox out back?

RUSTY: Well, maybe a sandbox. But nothing near the foundation. I'm building this house on a solid foundation, just like my life is built on Jesus!



## OBJECT LESSON OR KIDS SERMON

### ITEMS NEEDED:

A box of sand

A box of LEGOs

How many expert LEGO builders are here this morning? Let me ask you guys a question. If you wanted to make a big LEGO building – a house, or maybe something super cool like the Batcave – where would you build it? Would you build it on a solid table top, or would you build it in a sandbox like this one?

Why wouldn't you build anything LEGO on sand?

The answer's pretty obvious, isn't it? You need a steady, flat platform to build any large LEGO project, and the same goes for any building anywhere. If you want to make a building that can withstand wind and rain and storms, you need a solid foundation, or else your building is liable to fall over, sink, or otherwise collapse.

There are many false teachers and false prophets in our world that want to sell you on the idea that you don't need God. You can build your own life without Jesus. That's the same as building on shifting sand. We need a firm foundation. We need Jesus.

Jesus is the solid rock. He is the same yesterday, today, and forever. Build your life on Jesus, and you will be able to stand against any storm the world throws at you.



## LARGE GROUP GAME

### DISH STACKER

#### ITEMS NEEDED:

A table  
Solo cups  
Paper plates

#### INSTRUCTIONS:

Choose two players for this game. Have both players stand behind a table. The players will have 60 seconds to stack the tallest building they can by alternating the cups and plates. They can stack the cups or plates upside down or right side up, but they must alternate ONE cup and ONE plate, all the way to the top. The tallest building standing when time runs out wins.

#### VARIATION:

An alternate challenge would be to let two people work together to build a five layer building – five cups, five plates, alternating cups and plates on the way up – before time runs out.

#### WHAT'S THE POINT?

Jesus is the only solid foundation for life!



# LARGE GROUP LESSON

## **BOTTOM LINE:**

Build your life upon Jesus!

## **OBJECTIVE:**

Kids will learn that the foundation we should build our lives on is Jesus.

## **KEY PASSAGE:**

Luke 6:46-49, The Wise and Foolish Builders

## **INTRO:**

I want to show you all something this morning. Everyone stand up. Now, on the count of three, I want everyone to jump once. One, two, three.

Did anyone feel the building shift? Do you think they felt anything down in the auditorium where your parents are worshipping God right now? Do you think we did any damage to the building? Let's try that one more time. One, two, three!

Did anyone feel anything that time? Has anything fallen off the wall? From the ceiling? Okay, you guys can sit down now.

The reason the whole building didn't shake when we jumped up and down is because this church, like any modern building, has a solid foundation. It's not built on dirt or sand or swampland. Before any nail was driven, before any lights could be installed, before any walls were erected, the builders poured a solid slab of concrete into the ground. That concrete, once hard, gave this building a solid foundation, allowing the construction crew to erect a building that can withstand anything from a terrible thunderstorm to a bunch of kids jumping up and down.

The last few centuries saw some major innovations in building technology, but the need for a solid foundation is nothing new. Even in Jesus' time, everyone knew that a house build on a weak foundation was doomed. That's why Jesus used this parable to explain why we need to build our lives on a firm foundation.

## **READ LUKE 6:46-49**

## **MAIN POINT:**

The foolish man builds a house wherever he sees fit.

# LARGE GROUP LESSON

He may build it on a beach, or in a swamp. But his efforts are in vain because sooner or later, that house is coming down. It cannot stand because it has no foundation. It is doomed to fail.

There are many poor choices we could use as the foundation for our life. We can build it on money and fame. We can build it on a false religion. We can build it on a philosophy that we only need to believe in ourselves. All these foundations are as fragile as the shifting sand. The one true foundation for life is Jesus. Only Jesus rose from the grave. Only Jesus can forgive your sins. Only Jesus can give you eternal life. God sent His only Son to be our foundation. If we are wise, we will build our lives on Jesus.

## **DRIVE IT HOME:**

You won't see many buildings built on sand, but you will see a few. Those that are built on sand today are anchored to the earth much, much deeper than the surface of the beach. Builders know that if they go deep into the bedrock, they can make a beach house that will weather storms, but no one would build directly on top of the sand.

I can't say the same for where people build the foundation for their lives. So many people are building in the wrong place, and they are helpless when the storms of life come. You only need to look at the sports and entertainment headlines to see that money and riches cannot give you a good life. You may have a big house. You may drive a fast car. You may be surrounded by many people who claim to be your friends. But so many celebrities and athletes who can afford any luxury they want are miserable. They thought having it all would make them happy, but it only makes them sadder.

We learned in week one what happens when we build something without God's permission. God won't let us be satisfied with anything less than following His will. God put a hold in all of our hearts that only Jesus can fill. When we don't follow God's will, we are doomed to fail. When we build our life upon shifting sand, we are doomed to fail.

Making the right choice is so simple. If you confess that Jesus is the Christ, the Son of God, and you repent of your sins, you've laid a foundation that will stand up to any storm. Friends will come and go. Money will come and go. Jesus remains, and He will never leave your side. He will be your foundation in good times and bad, and He will help you stand strong through it all.

A good building needs a good foundation, and when it comes to life, there's nothing stronger than Jesus. Let Jesus be your rock. Let Him be your foundation.



# LARGE GROUP LESSON

**CLOSE WITH A SIMPLE PRAYER:**

*Dear God,*

*Help us to build our lives on Jesus.*

*In Jesus' name,*

*Amen*



## SMALL GROUP DISCUSSION (K-2ND)

### ICEBREAKER:

What is your favorite type of building game?

### MEMORY VERSE ACTIVITY:

**Psalm 127:1a (NirV)**

Have the kids each recite or read the verse in the voice of their favorite cartoon character.

### SMALL GROUP GAME/ACTIVITY:

As a group make a list of the world's worst places to try and build a house. How creative - and dangerous - can you get?

### DISCUSSION QUESTIONS:

**Read Luke 6:46-49**

Why does a house need a firm foundation?

What happened to the house built on sand?

What happened to the house built on the solid foundation?

Who is the solid foundation?

Why is it important to build our lives on Jesus?

### SIMPLE PRAYER:

*Dear God,*

*Thank you for giving us a solid foundation in Jesus.*

*In Jesus' name,*

*Amen*



## SMALL GROUP DISCUSSION (3-5TH)

### ICEBREAKER:

What is your favorite type of building game?

### MEMORY VERSE ACTIVITY:

**Psalm 127:1a (NirV)**

Have the kids each recite or read the verse in the voice of their favorite cartoon character.

### SMALL GROUP GAME/ACTIVITY:

As a group make a list of the world's worst places to try and build a house. How creative - and dangerous - can you get?

### DISCUSSION QUESTIONS:

**Read Luke 6:46-49**

Why does a house need a firm foundation?

Why did one house stand strong and the other blow away?

What are some weak foundations people use to build their lives?

Why is it important to build our lives on Jesus?

How can we establish Jesus as our foundation?

### SIMPLE PRAYER:

*Dear God,*

*Thank you for giving us a solid foundation in Jesus.*

*In Jesus' name,*

*Amen*



## POWERPOINT REVIEW GAME

### WISE OR FOOLISH?

Which type of builder would use this material as a foundation for a building?

Swamp land

FOOLISH

Concrete

WISE

Sand

FOOLISH

A solid rock

WISE

Jell-O

FOOLISH

Tapioca pudding

FOOLISH

Jesus

WISE



# MAKE IT STICK

5 Simple Ways You Can Make This Lesson Stick With your Kids

## Under Construction Lesson 4

### THIS WEEK'S LESSON: LAYING THE FOUNDATION



#### IN THE CAR:

Ask your child what they learned about this week on the drive home:

It doesn't matter how beautiful the building, if it isn't built on a solid foundation the whole thing will fall apart. Jesus is the firm foundation that we should build our lives upon. Luke 6:46-49, The Wise and Foolish Builders



#### HANGING OUT:

Make this week's lesson real:

Take a walk around your house, or your basement, with the kids. What kind of foundation does your house have? What does the parable about the wise and foolish builder teach us about the need we have for Jesus?



#### AT DINNER:

Here are some great discussion starters:

- What makes the foolish builder foolish and the wise builder wise?
- Who is our solid foundation?
- What can we do to build our lives on Jesus?



#### AT BEDTIME:

Quiz your child on this week's memory verse:

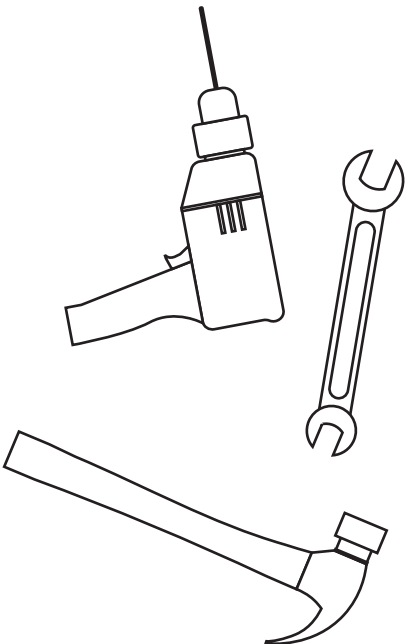
*"If the Lord doesn't build a house, the work of the builders is useless." Psalm 127:1a (NirV)*



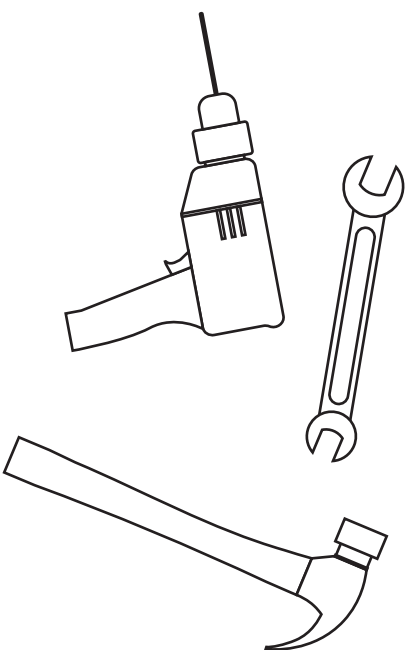
#### PARENT TIME:

What you need to know:

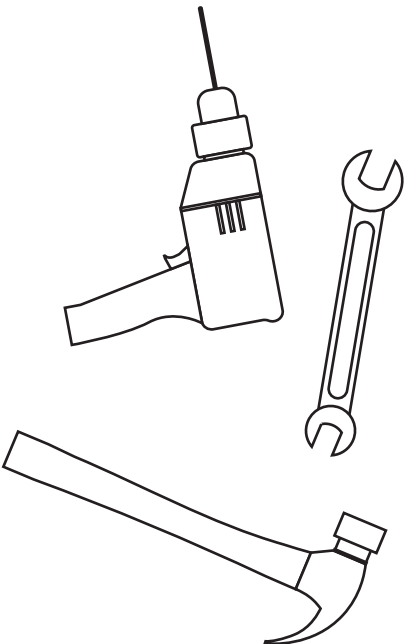
Unless we make Jesus our foundation, we are living on shifting sand. Ask God to set your life on the rock of Christ, and ask Him to show your children how we can make Jesus their foundation as well.



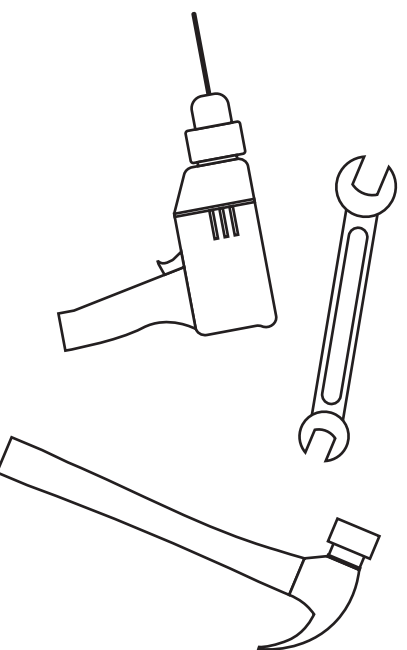
"If the Lord doesn't build a house, the work of the builders is useless."  
- Psalm 127:1a (NIRV)



"If the Lord doesn't build a house, the work of the builders is useless."  
- Psalm 127:1a (NIRV)



"If the Lord doesn't build a house, the work of the builders is useless."  
- Psalm 127:1a (NIRV)



"If the Lord doesn't build a house, the work of the builders is useless."  
- Psalm 127:1a (NIRV)



## CRAFT ACTIVITY

Give the kids a baggie of sand or a small rock to take home. If you go with the rocks, let them decorate the rocks with markers or paint to remind them of their meaning - that Jesus is our foundation.