



## LESSON SNAPSHOT

**BOTTOM LINE:**

God wants us to turn from sin.

**OBJECTIVE:**

Kids will learn that repenting of sin means turning from it, choosing God's way instead.

**KEY PASSAGE:**

Joshua 6:1-20, The Fall of Jericho

**MEMORY VERSE:**

*"If the Lord doesn't build a house, the work of the builders is useless." Psalm 127:1a (NirV)*

**SUMMARY:**

Before a new building can be put up, often an old one must be torn down. That's when construction crews bring in the wrecking ball. When Israel came to their new home, the city of Jericho stood in their way. They didn't need a wrecking ball to bring it down; God had other plans. To begin building something new in our hearts, God needs to help us repent of sin so it can be removed.

**SIMPLE PRAYER:**

*Dear God,*

*Demolish our sin and make us new!*

*In Jesus' name,  
Amen*



## MEMORY VERSE

*“Unless the Lord builds the house, the builders labor in vain.” Psalm 127:1a (NIV)*

*“If the Lord doesn’t build a house, the work of the builders is useless.” Psalm 127:1a (NirV)*

**LARGE GROUP:**

Read the verse in a normal speed with the kids. Then read it super slow. Then read it super fast!

**SMALL GROUP:**

Have the kids sing the memory verse in the style of their favorite pop/rock singer.



# SKIT

## TIME TO WRECK IT!

### ITEMS NEEDED:

A hardhat and construction uniform for Rusty  
Work clothes for Tripp

### CHARACTER BREAKDOWN:

2 M

### CHARACTERS:

Rusty - A construction foreman  
Tripp - A wrecking ball operator

*Rusty enters and takes center stage.*

RUSTY: Good morning, guys. I'm Rusty, your construction foreman, and today, we are finally ready to get to work on our construction project. We have our permits, and we have our blueprints, and we are almost ready to build. But before we can start building, we need to do a little demolition.

*Tripp enters.*

TRIPP: I'm looking for the construction foreman. Are you the construction foreman?

RUSTY: Yes I am! I'm Rusty.

TRIPP: I'm Tripp. Tripp's Wrecking Ball Service.

RUSTY: Oh yes! Hello! You're just in time. We're ready to do some demolition.

TRIPP: If you need something knocked to the ground, I'm your boy. Got the wrecking ball outside. What am I knocking down?

RUSTY: Today, we're going to tear down the walls of sin!

TRIPP: Okay. Who's Sin?

# SKIT

RUSTY: Sin is not a person. Sin is rebellion!

TRIPP: Uh huh. So what, it's like some radical political party?

RUSTY: No, no, no. Sin isn't a political party.

TRIPP: Some folks would disagree with you on that.

RUSTY: Sin is all the things that separate us from God. Things like lying, cheating, stealing.

TRIPP: Yep, definitely a political party.

RUSTY: Sin is what keeps us from getting to Heaven.

TRIPP: Whoa! That sounds bad.

RUSTY: It is bad!

TRIPP: I wanna go to Heaven!

RUSTY: Me too! That's why we need to demolish sin!

TRIPP: No problem, buddy. You point me at sin, and I'll knock it to the ground.

RUSTY: You can't.

TRIPP: Sure I can. I got a wrecking ball.

RUSTY: Tripp, no wrecking ball is going to save us from sin. We need God to demolish our sins.

TRIPP: Then why did you call me?

RUSTY: Well, because wrecking balls are cool.

TRIPP: You got that right. Using a wrecking ball is the coolest thing in the world next to shaving.

RUSTY: And because I thought you might want to have your sin demolished as well.

TRIPP: You thought right. So God can take care of that for me?

# SKIT

RUSTY: Yes he can! When you ask God to help you repent of your sins, He will knock them all down. Then we can build a strong life of faith on a solid foundation.

TRIPP: That's exciting news. I'm sad I don't get to use a wrecking ball, but I'm sure glad to know God can take care of my sins.

RUSTY: I'm glad to share that good news with you, my friend.



## OBJECT LESSON OR KIDS SERMON

### ITEMS NEEDED:

A sledgehammer

Some hammers are used for building things. Other hammers are used for tearing things up. If you've watched the TV show Fixer Upper, you've probably seen what Chip Gaines can do with a hammer like this. When it's "demo day," Chip gets his sledgehammer and goes to work, tearing down walls, windows, doors, anything standing in the way of turning an old, decrepit house into something new and beautiful.

Many times builders have to tear something down before they can build something new. In order to build faith in our hearts, God first has to demolish the sin. God sent His Son Jesus to die for our sins so that Jesus could forgive us. When you repent of your sins, God wipes your slate clean, forgives all of your sins, and sends His Holy Spirit to build up your faith.

There's no sledgehammer big enough to demolish our sin. Thankfully, God is mightier than sin, and he can tear it all away. Ask God to give you a clean heart so that he can begin the construction of a new life in you!



## LARGE GROUP GAME

### CARNY CUPS

#### ITEMS NEEDED:

Solo cups  
Wiffle balls  
A stool

#### INSTRUCTIONS:

Choose two players for this game. Stack a pyramid of 6 Solo cups on a stool, and give each player two tosses. The player who knocks the most cups down wins. If multiple players knock down the same number of cups or all the cups, have a one toss run off to decide the winner.

#### VARIATION:

An alternate game would be to bring in a Fisher Price bowling set and have the kids bowl instead of throwing balls at cups.

#### WHAT'S THE POINT?

We can demolish a lot of things, but only God can demolish sin!



# LARGE GROUP LESSON

**BOTTOM LINE:**

God wants us to turn from sin.

**OBJECTIVE:**

Kids will learn that repenting of sin means turning from it, choosing God's way instead.

**KEY PASSAGE:**

Joshua 6:1-20, The Fall of Jericho

**INTRO:**

Sometimes buildings get old. The foundations sink, the walls crack, the doors and windows get out of alignment. Sometimes people move out of buildings, and those buildings can sit abandoned for years. They fall into disrepair, and there's no hope of saving them.

Then someone gets the bright idea to build something new where that old building sits. They may reuse part of that old building, or they may decide to get rid of the building completely. Whatever they decide, one thing has to happen before the first new nail is hit with a hammer – they have to do some demolition!

Demolition jobs can be big or small. Sometimes it's as simple as taking a sledgehammer and knocking down a few walls, but other times, some heavy duty equipment is required. That's when you bring in the wrecking ball! Wrecking balls are simply giant, heavy balls suspended on heavy-duty chains that swing into action and make mincemeat of brick, concrete, wood, and steel. They smash buildings down to size in minutes, allowing cleanup crews to quickly carry away the wreckage so that construction on something new can begin. It's dangerous work. But it's also amazingly cool if you ever get to watch one swing into action.

God has to do some demolition work on us as well if we want God to build us up in faith. You see, there's this thing called sin that separates us from God. Sin is all the rebellious acts we do, like telling lies, taking what's not ours, disrespecting the Lord, or disobeying our parents. In order to remake us in His image, God needs to tear down the sin in our lives – just as he tore down the walls of a city called Jericho.

**READ JOSHUA 6:1-20**



# LARGE GROUP LESSON

## **MAIN POINT:**

God was leading Israel to the Promised Land, a rich, fertile land He had promised to their forefather Abraham. The city of Jericho was surrounded by a wall that at the time was considered impenetrable, and the road to the Promised Land went right through Jericho. The Israelites saw an immovable object. God saw an opportunity to demonstrate His power.

There was no wrecking ball, no battering ram, no projectile to knock down the wall. Only the mighty hand of God! God demolished the wall and gave the city to His people. He made a way where no way existed. He tore down the city so that His people could build something new for His people.

## **DRIVE IT HOME:**

The story of Jericho isn't just a simple story about a battle. Like every story in the Bible, there's a main idea, and the main idea is that God can tear down the walls we can't. Just as God brought the walls of Jericho to the ground, He can tear down the wall of sin that separates us from God.

God used trumpets, shouts of praise, and a parade to bring down the walls of Jericho. He used His only Son to tear down the wall of sin. God sent Jesus, who was both God and man, to be the perfect sacrifice. Jesus was the only man who never sinned, the only man who did not deserve to die because He had no sin in Him. When Jesus died on the cross, He took the punishment for the sins of the whole world upon Himself. He paid the price for my sins, and He paid the price for yours.

When the stone rolled away on Easter Sunday and Jesus walked out of the tomb, He removed the barrier between God and man forever. Jesus tore down the wall of sin, and if any person believes that Jesus is the Christ, that person will be saved!

God did His part to save us from sin through Jesus, but the decision to do the demolition lies with you. Just as a contractor has to make the decision to call in the wrecking ball, it's up to each one of us to give our hearts to Jesus and repent of our sins. When you make the decision to make Jesus your Savior, God brings in the wrecking ball, and BAM! The sin is gone, and your heart is made brand new!

Some demolition jobs can be done with a sledgehammer. Some need a wrecking ball. Some need TNT! Demolishing sin took a miracle, and that's what God gave us in Jesus. God had to demolish the sin in our hearts before He can build up our faith. If you give your heart to Jesus, He will tear down your sins and begin His good work in you!

# LARGE GROUP LESSON

## CLOSE WITH A SIMPLE PRAYER:

*Dear God,*

*Demolish our sin and make us new!*

*In Jesus' name,*

*Amen*



## SMALL GROUP DISCUSSION (K-2ND)

### ICEBREAKER:

Which is more fun, setting things up and building things, or tearing things down?

### MEMORY VERSE ACTIVITY:

**Psalm 127:1a (NirV)**

Have the kids sing the memory verse in the style of their favorite pop/rock singer.

### SMALL GROUP GAME/ACTIVITY:

Challenge your kids to build a human pyramid. Give them 60 seconds to get in place and see if they can hold it for 5 seconds.

### DISCUSSION QUESTIONS:

**Read Joshua 6:1-20**

What city stood between the Israelites and the Promised Land?

What did God tell Joshua to do?

How did the walls of Jericho come down?

What “wall” does God want to break down between you and Him?

How can we have our sins torn down?

### SIMPLE PRAYER:

*Dear God,*

*Thank you for sending Jesus to save us from sin.*

*In Jesus' name,*

*Amen*



## SMALL GROUP DISCUSSION (3-5TH)

### ICEBREAKER:

Which is more fun, setting things up and building things, or tearing things down?

### MEMORY VERSE ACTIVITY:

**Psalm 127:1a (NirV)**

Have the kids sing the memory verse in the style of their favorite pop/rock singer.

### SMALL GROUP GAME/ACTIVITY:

Challenge your kids to build a human pyramid. Give them 60 seconds to get in place and see if they can hold it for 5 seconds.

### DISCUSSION QUESTIONS:

**Read Joshua 6:1-20**

Why did Joshua and the Israelites follow God's instructions?

How did the walls of Jericho come down?

What "wall" does God want to break down between you and Him?

What did God do to tear down the wall of our sin?

How can we have our sins forgiven?

### SIMPLE PRAYER:

*Dear God,*

*Thank you for sending Jesus to save us from sin.*

*In Jesus' name,*

*Amen*



## POWERPOINT REVIEW GAME

### TRUE OR FALSE

Jericho was a city occupied by the Israelites.

FALSE

Jericho was surrounded by a giant wall.

TRUE

The Israelites used a wrecking ball to knock down the wall.

FALSE

God knocked down the wall.

TRUE

It's up to us, not God, to "demolish" the sin in our lives.

FALSE



# MAKE IT STICK

5 Simple Ways You Can Make This Lesson Stick With your Kids

## Under Construction Lesson 3

### THIS WEEK'S LESSON: WRECKING BALL



#### IN THE CAR:

Ask your child what they learned about this week on the drive home:

Before a new building can be put up, often an old one must be torn down. That's when construction crews bring in the wrecking ball. When Israel came to their new home, the city of Jericho stood in their way. They didn't need a wrecking ball to bring it down; God had other plans. To begin building something new in our hearts, God needs to help us repent of sin so it can be removed. Joshua 6:1-20, The Fall of Jericho



#### HANGING OUT:

Make this week's lesson real:

Home improvement projects and remodeling projects often require tearing something down or cleaning something out before you can start over. Start a project at home this week, and let the kids help with the clean up. Talk about how God can clean up our sins through His Son Jesus.



#### AT DINNER:

Here are some great discussion starters:

- What instructions did God give Joshua for defeating the city of Jericho?
- How was the defeat of Jericho similar to Jesus conquering sin?
- How can we have our sins wiped away?



#### AT BEDTIME:

Quiz your child on this week's memory verse:

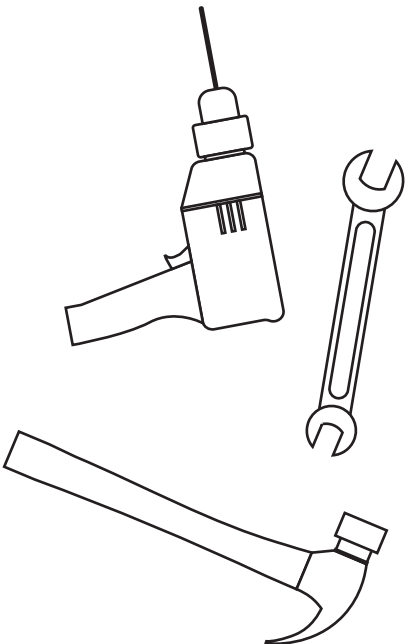
*"If the Lord doesn't build a house, the work of the builders is useless." Psalm 127:1a (NirV)*



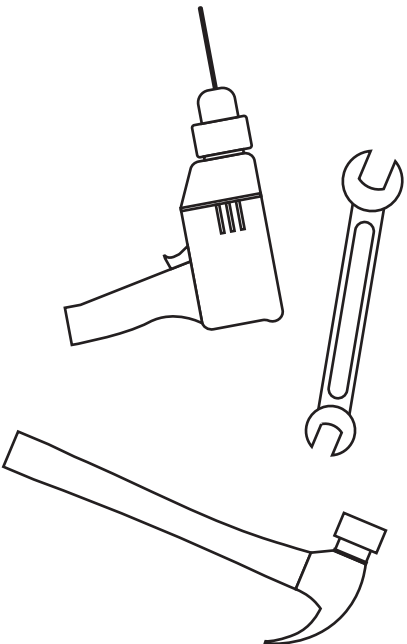
#### PARENT TIME:

What you need to know:

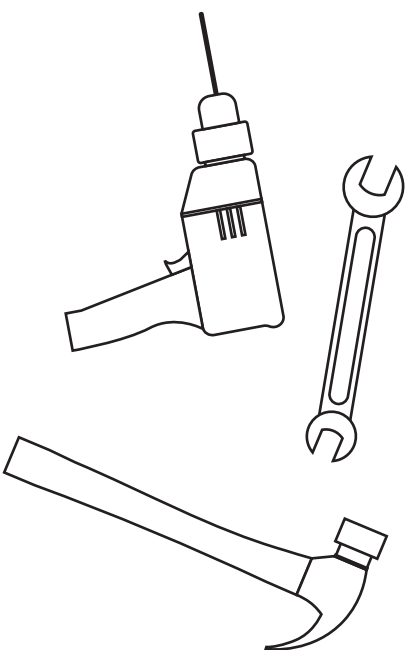
Only Jesus can forgive our sins. Only he can wipe them away. Ask God to open your children's hearts so that they will ask Jesus to be their Savior and forgive their sins.



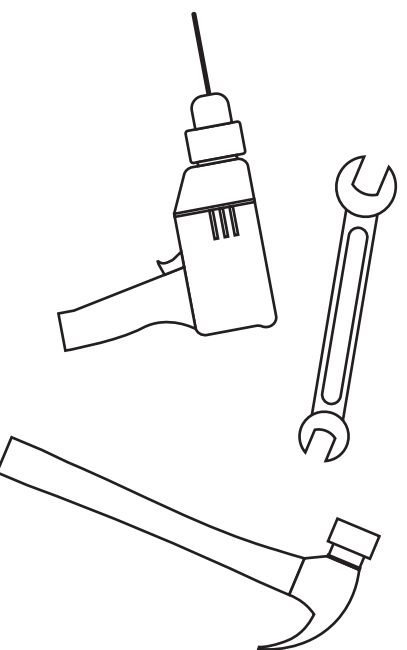
"If the Lord doesn't build a house, the work of the builders is useless."  
- Psalm 127:1a (NIRV)



"If the Lord doesn't build a house, the work of the builders is useless."  
- Psalm 127:1a (NIRV)



"If the Lord doesn't build a house, the work of the builders is useless."  
- Psalm 127:1a (NIRV)



"If the Lord doesn't build a house, the work of the builders is useless."  
- Psalm 127:1a (NIRV)



## CRAFT ACTIVITY

Have the kids make their own wrecking balls, attaching string to a styrofoam craft ball.