

NA 10.146 D

05 - 2016



OPERA

Instruction manual





<b>CONTENTS</b>	<b>PAGE</b>		
<b>1 - RECEIVING THE UNIT</b>	<b>2</b>	<b>11 - AC FAN MOTOR ASSEMBLIES</b>	<b>8</b>
1.1 General checks	2	11.1 AC motor protection	8
1.2 Unloading	2	11.2 Fan with AC motor (3-ph 230 V/400 V 50 Hz)	8
<b>2 - SAFETY INSTRUCTIONS</b>	<b>2</b>	11.3 Fan with AC motor 3-ph 208 V and 3-ph/400 V to 480 V 50/60 Hz	8
2.1 In an emergency	2	<b>12 - EC FAN MOTOR ASSEMBLIES</b>	<b>9</b>
2.2 The 4 main risks	2	12.1 EC motor protection	9
<b>3 - GENERAL INFORMATION</b>	<b>2</b>	12.2 Fan with EC motor (3-ph 380 V to 480 V 50/60 Hz)	9
3.1 Unit functions	2	<b>13 - ATEX (standard) FAN MOTOR ASSEMBLIES</b>	<b>9</b>
3.2 Standards	2	<b>14 - MAINTENANCE</b>	<b>10</b>
3.3 Warranty	2	14.1 Recommendations for maintenance	10
<b>4 - NAME PLATE</b>	<b>3</b>	14.2 Maintenance frequency	10
4.1 Description	3	14.3 Information relating to condensers	10
<b>5 - INSTRUCTIONS FOR LIFTING AND PLACING THE FEET IN THE OPERATING POSITION</b>	<b>4</b>	14.4 Cleaning the coils	11
5.1 Lifting HORIZONTAL units	4	14.5 Removing and refitting a fan	11
5.2 Lifting VERTICAL units	4	<b>15 - MAINTENANCE SWITCHES OPTION</b>	<b>12</b>
5.3 Lifting CLUSTER units	5	<b>16 - PROTECTION CABINET OPTION</b>	<b>12</b>
5.4 Instructions for lifting and placing the feet in the operating position	5	<b>17 - CONTROL CABINET WITH STAGES ON TERMINALS OPTION</b>	<b>13</b>
<b>6 - STORAGE</b>	<b>6</b>	<b>18 - CONTROL CABINET with electronic board OPTION</b>	<b>13</b>
<b>7 - LOCATION</b>	<b>6</b>	<b>19 - ELECTRICS BOX OPTION</b>	<b>14</b>
7.1 Maximum permitted wind speed	6	<b>20 - STAGING FOR CONTROL CABINET OPTION</b>	<b>15</b>
7.2 Air intake height	6	<b>21 - EXPANSION VESSEL OPTION</b>	<b>16</b>
<b>8 - INSTALLATION RECOMMENDATIONS</b>	<b>7</b>	<b>22 - SPECIAL INFORMATION FOR ATEX AREAS</b>	<b>17</b>
<b>9 - CONNECTIONS</b>	<b>7</b>	22.1 General information	17
9.1 Electrical connections	7	22.2 Periodic inspections and checks	18
9.2 Fluid connection	7	22.3 Using tools in an explosive atmosphere	19
9.3 Connecting a speed regulator	7	22.4 Appendix	19
<b>10 - OPERATION</b>	<b>8</b>	<b>23 - DESTRUCTION OF THE UNIT</b>	<b>20</b>
10.1 First commissioning	8		
10.2 If anomalies occur..	8		
10.3 Recommendations for use	8		

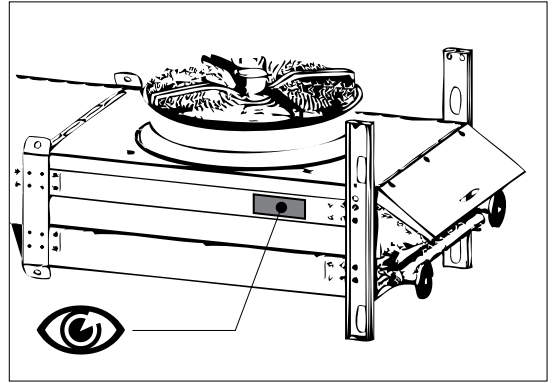
## 1 - RECEIVING THE UNIT

### 1.1 General checks

- Each unit has a data plate bearing an identification number. This number must be included in all correspondence. Ensure that it is the correct unit by checking the purchase order.
- After unpacking the unit, please inspect it for any damage.
- If any items are missing or in case of damage, specify this on the delivery slip and inform the carrier by registered letter within 3 days of delivery of the unit.

### 1.2 Unloading

- The recipient shall be responsible for unloading the equipment and providing the necessary handling equipment (see the section entitled "LIFTING INSTRUCTIONS").



## 2 - SAFETY INSTRUCTIONS



- Any operation must be carried out by qualified personnel using the appropriate Personal Protective Equipment (PPE).
- Before any operation, read this guide carefully and keep it in a safe place. Safety information must be adhered to.
- The units must not be run under operating conditions which are more restrictive than those it was designed for (pressure, temperature, type and circulation of fluids).
- For units installed in European Community countries, ensure that the entire installation complies with the directives and legislation in force.
- Respect the instructions for using slings (see the labels on the unit).
- To prevent any risk of accident, prohibit public access by clearly marking the work area.

### 2.1 In an emergency



- Switch off the electrical supply.
- The process should not be jeopardised if the emergency stop devices are activated.
- Switch off the fans.

### 2.2 The 4 main risks



- Lifting or positioning = Accident
- Contact with the piping = Burns
- Opening the electrics box = Electrocution
- Removing the grilles = Injury

## 3 - GENERAL INFORMATION

### 3.1 Unit functions

- **Drycooler:** Device in which a fluid in liquid state is cooled by heat exchange with the ambient air, without direct contact between the ambient air and the fluid.
- **Condenser** (or air-cooled condenser): Device in which a gas is condensed by heat exchange with the ambient air.
- **Misting option:** System for cooling air by misting of water droplets under high pressure.
- These devices must only be used for the purpose for which they are intended. In particular, it is formally prohibited to use any fluid other than that specified in the order documents.

### 3.2 Standards

- Every unit meets standards EN 60-204 and EN 378-2 as well as the following European directives:
  - Machinery 2006/42 CE
  - EMC 2004/108 CE
  - PED 2014/68/EU
  - NF P 06-013 (class A)
- Technicians who install, commission, operate and service the unit must understand the instructions given in this manual and be familiar with the specific technical characteristics of the installation site.

### 3.3 Warranty

- See general terms and conditions of sale.
- Check the compatibility of the fluid with the equipment being used.
- To find out the limits of use, refer to the name plate.

## 4 - NAME PLATE

- **Désignation\Description** : See "Description" section.
- **An./Year** : Year manufactured.
- **N° série\Serial Nbr** : No. to be quoted in all correspondence.
- **DIR 2014/68/EU (DN)** : Category and determining value (DN if "PIPE", Capacity if "CONTAINER").
- **Fluid CIRC. 1** : nature of fluid in circuit 1.
- **Fluid CIRC. 2** : identical to Fluid CIRC 1, only for units with 2 circuits.
- **Voltage** : Power supply.
- **Volume** : Capacity of the circuit.
- **P. abs \ P. input** : Power input.
- **P.serv.\ Working P (PS)** : Operating pressure. (Maximum allowable pressure set out in European Directive 97.23/CE).
- **Courant (+/-10%)** : Max. current.
- **Max. temperature** : Maximum allowable temperature.
- **Poids-Weight** : Maximum empty weight including options and accessories.

Ref. produit\Item Ref.		Designation/Description	
7278227.159		DMN 8083-2 SHI 690A 12A1	
An(Year)	N. Serie/Serial Nbr	PED 2014/68/UE (DN)	
2011	00089442/003	ART4.3-LIQ-GR2 (DN: 150)	
Fluid CIRC. 1	Fluid CIRC. 2	Voltage	
EAU		TRI 400 50HZ	
Volume		P. abs \ P. input	
438L		13800 W	
P.serv.\ Working P (PS)		Courant (+/-10%)	
1.00 (10.0) BARS		27 A	
Max. Temperature		Poids-Weight	
110 °C		2270 KG	

### 4.1 Description

E.g.: **DLN 8083-2 SHI 690A 12A1**

**D**: Function: D = Drycooler, C = Condenser

**L** : Module size:                    S = short,  
   M = medium,  
   L = long

**N** or **X**: Type of design:            N = standard, X = special

**8**: Impeller diameter (dm):        8 or 9

**08**: Number of fans:                01 to 14

**3**: Number of rows of finned tubes: 2, 3, 4 or 5

**2**: Number of fan lines: 1 or 2

**S**: Coil specification:                S = single coil,  
   D = double coil,  
   T = 2 refig. circuits  
   Z = drainable coil

**H**: Unit position:                    H = horizontal, V = vertical

**I**: Draught:                            I = induced,  
   F = forced

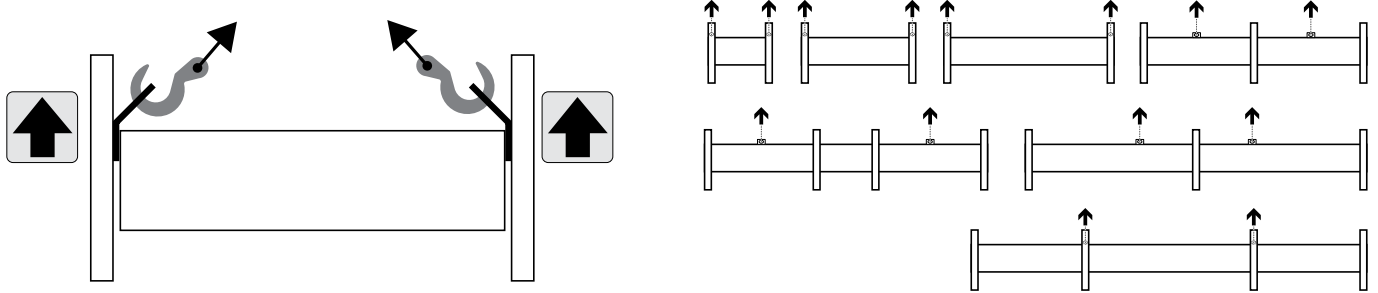
**690**: Rotation speed (rpm)

**A**: Motor type:                        A = AC motors (3-ph/400 V/50 Hz),  
   B = AC motors (other voltages),  
   E = EC motors Ø 910 mm,  
   E8A = EC motors Ø 800 mm to 740 rpm max.,  
   E8B = EC motors Ø 800 mm to 510 rpm max.,  
   X = ATEX motors,  
   M8 = 1 stage with EC motor fans Ø 800 mm to 740 rpm max.,  
   M9 = 1 stage with EC motor fans Ø 910 mm

**12A1**: Fin type:                        09A1 = Tube Ø 9.52 mm  
   12A1 = Tube Ø 12.7 mm  
   16B2 = Tube Ø 16/15.87 mm

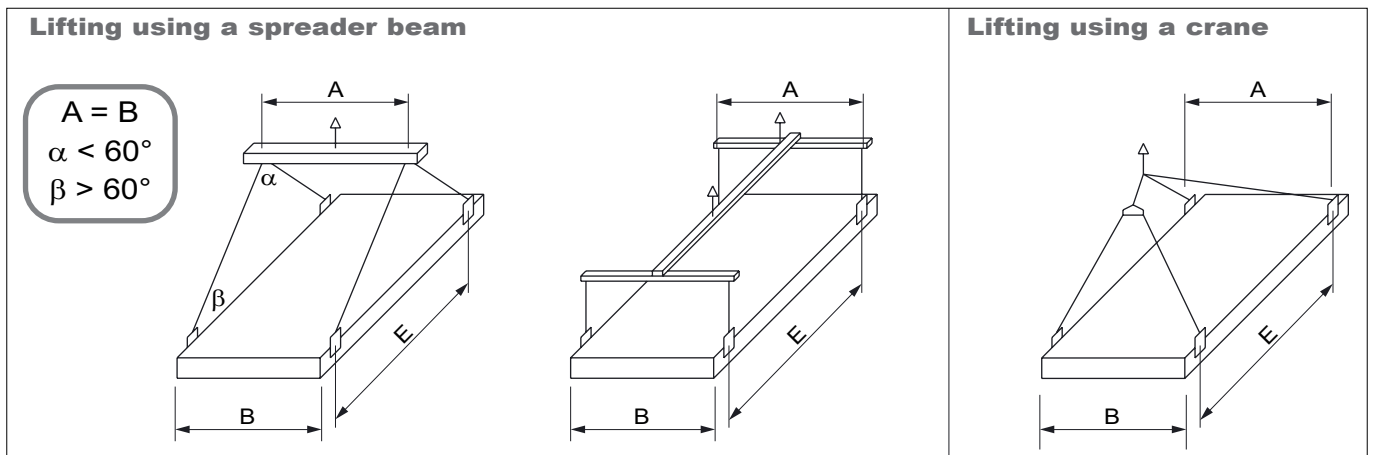
## 5 - INSTRUCTIONS FOR LIFTING AND PLACING THE FEET IN THE OPERATING POSITION

- The weights are given on the data plates.
- Attach the slings to the sling points indicated by the yellow labels.
- We recommend fitting protection between the casing and the hooks to prevent damage to the paintwork.
- Never lift horizontal units by the feet.

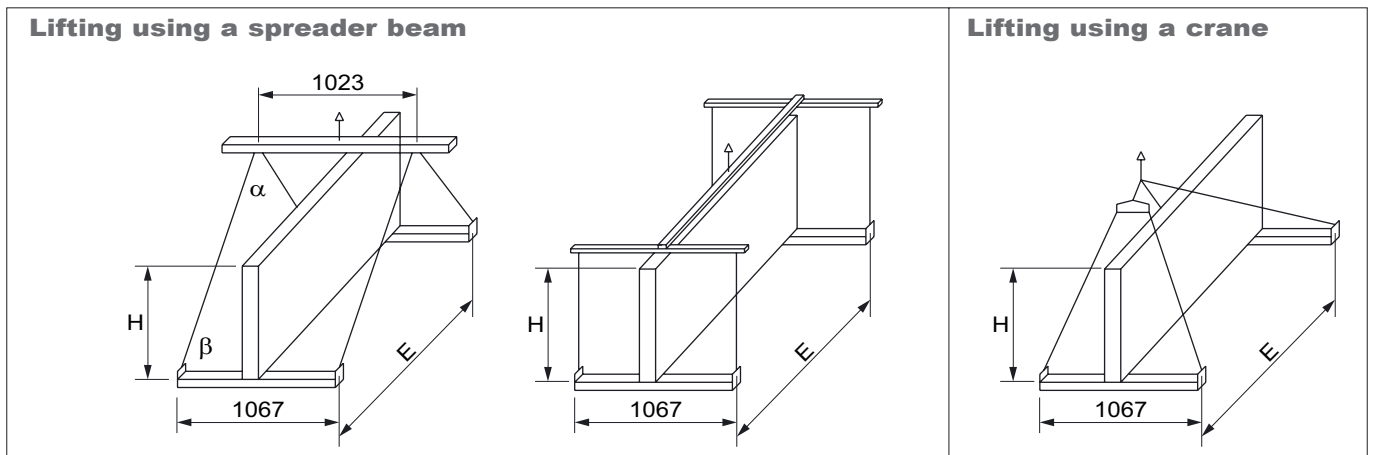


### 5.1 Lifting HORIZONTAL units

- The horizontal units marked in the table below with a (!) symbol must be lifted using a spreader beam.



### 5.2 Lifting VERTICAL units

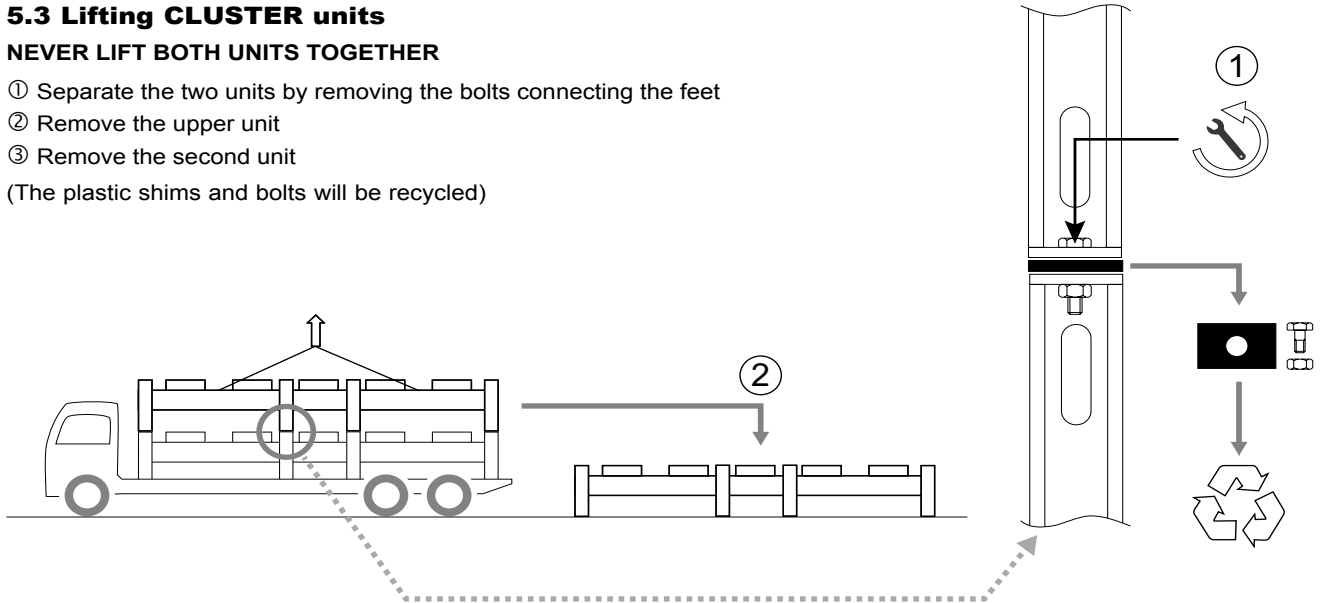


FMA line number	FMA number	A = B	H	E		
				S module (950 mm)	M module (1600 mm)	L module (1900 mm)
1	1	1180	1375	950 (!)	1600 (!)	1900
	2			1900	3200	3800 (!)
	3			2850	4800 (!)	5700 (!)
	4			3800 (!)	3200	3800 (!)
	5			2850	4800 (!)	5700 (!)
	6			1900	-	-
2	4	2300	2495	1900 (!)	3200 (!)	3800
	6			2850 (!)	4800	5700
	8			3800	3200 (!)	3800
	10			2850 (!)	4800	5700
	12			1900 (!)	3200 (!)	3800
	14			2850 (!)	4800	-

### 5.3 Lifting CLUSTER units

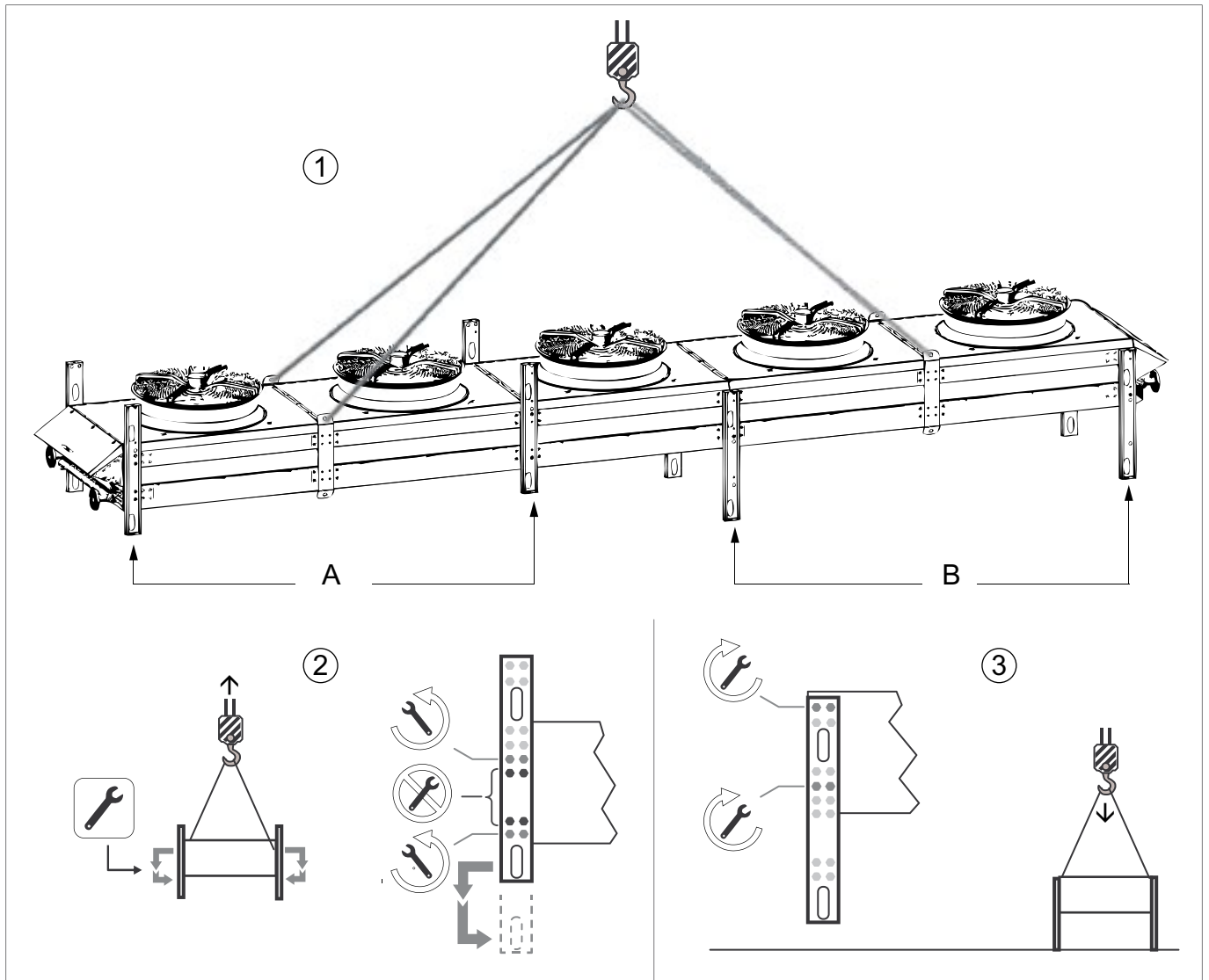
#### NEVER LIFT BOTH UNITS TOGETHER

- ① Separate the two units by removing the bolts connecting the feet
  - ② Remove the upper unit
  - ③ Remove the second unit
- (The plastic shims and bolts will be recycled)



### 5.4 Instructions for lifting and placing the feet in the operating position

- The feet are in the "transport" position (A) when the unit is delivered.
  - When the unit is finally installed, the feet must be moved to the "use" position (B).
- To do this:
- ① Lift the upper unit using the lifting rings. Keep the unit raised throughout the procedure.
  - ② Unscrew the 4 mounting bolts on each foot. The other bolts must never be unscrewed. Pull out the foot to reposition it one notch lower, in its final position.
  - ③ Retighten the 4 bolts on each foot, then reposition the unit on the ground.



For the "Skid container" and/or raised feet option, see the additional instructions enclosed with the unit.

## 6 - STORAGE

- Store the units at a temperature of between -40 and +60°C (temperature range for standard units). For options, see the relevant description.
- Protect the units against impacts and ensure that they only support their own weight.
- Place the units on firm, flat and level ground. For storage in very windy areas, affix the unit to the ground using straps or cables.
- Leave the blanking trim for the pipes in place before connecting the unit.
- For long-term storage (over 3 months), fill the exchanger with an inert gas and seal the pipes using caps. This is necessary to prevent the formation of condensation and oxidation. Warning: do not exceed the maximum operating pressure indicated on the data plate.
- For long-term storage, it is recommended to place the units in an area protected from adverse weather conditions.

## 7 - LOCATION

- Before setting up the unit in its intended location, the installer must check the following points:
  - The unit must be installed outdoors in an area protected from flooding. Ensure that all conditions have been taken into account (negative outdoor temperatures, corrosive atmosphere, altitude, etc.)
  - The ground surface or structure must be level and strong enough to bear the unit's weight.
  - Raise the unit if it is installed in a snowy area, in order to ensure a sufficient air intake height.
  - At the design stage, check that the installation location is compatible with the unit's sound level.
  - For vertical units, the flow of air crossing the unit must not be parallel to the prevailing wind.
  - Protect the unit from sandstorms using the appropriate infrastructure.
  - Waste from vegetation is a major factor contributing to the clogging of the coil; avoid installing the unit close to deciduous trees.
  - Do not install the unit near hot air extraction duct outlets.

### 7.1 Maximum permitted wind speed

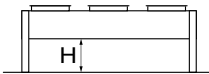
- Maximum permitted speed: 100 Km/h.
- For speeds > 100 Km/h, contact us. A calculation will be made depending on the configuration of the unit.

### 7.2 Air intake height

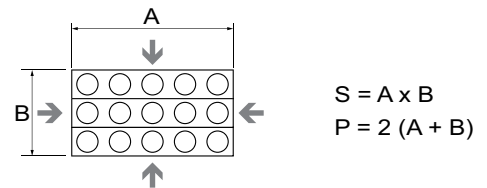
- The installer must take all necessary precautions to limit the recycling of hot air and ensure a good air supply to the unit.

- Determining the NPSH (H) for the following cases:

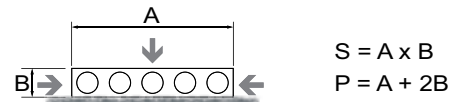
S = Floor surface area  
P = Air intake perimeter

$$H > 0.8 \frac{S}{P}$$


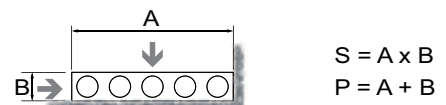
- Several units are placed side by side to prevent the risk of air recycling (air intake on 4 sides)



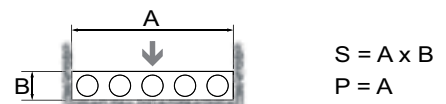
- only 1 unit placed against a wall (air intake on 3 sides)



- only 1 unit placed against 2 walls (air intake on 2 sides)



- only 1 unit placed against 3 walls (air intake on only 1 side)



- For other scenarios, please contact us.



## 8 - INSTALLATION RECOMMENDATIONS

- Ensure sufficient devices are provided to guarantee the protection of persons and property, and to enable maintenance operations to be carried out in complete safety.
- If a malfunction would have significant human, environmental or financial consequences, take appropriate steps to limit the effects.
- Ensure that the installation complies with the legal texts and codes in force in the country of operation, and that it complies with the safety rules applicable to the site where it is being used (explosive atmosphere, for example).
- If necessary, affix to the machine the hazard symbol corresponding to the fluid in accordance with current standards.
- Install burn hazard signs wherever the internal temperature of pipes exceeds 65°C.
- Fit safety devices to prevent the fluid temperature or pressure from exceeding the values indicated in the order. Approval for operation at higher conditions must be obtained from us.
- The unit must be fitted with an immediately accessible emergency stop device; this visible device must allow the electrical supply to the unit and its accessories to be cut completely.
- Ensure that cutting off the electrical supply, whether intentionally or accidentally, does not jeopardise the process.
- Use the mounting holes and, if necessary, reinforce the anchoring system according to the wind conditions (particularly for vertical units).
- If the unit needs to be installed on a framework, this structure must be calculated based on the weight of the unit during operation (full), equipped with all its accessories.
- If using rubber mounts, use a rigid frame which locks the feet together.
- If objects or hail fall on the unit, there is a risk that the finned components may be damaged (horizontal forced-draught units). Take appropriate steps to protect it, by adding a protective screen, for example.
- If there is a risk of freezing while the system is operating, use a device designed to prevent this.
- Install venting and draining devices and shut-off valves.
- Connect the piping to earth in accordance with an overall study of the installation.
- For any accessories, refer to the specific guides.

## 9 - CONNECTIONS

### 9.1 Electrical connections

- All wiring must be connected in accordance with the regulations that apply to the installation site (e.g. NF C 15100 in France).
- In all cases, refer to the "ELECTRICAL CONNECTION" document or wiring diagram attached to the unit.
- Follow the electrical supply specifications indicated on the data plate.
- The phase unbalance must not exceed  $\pm 2\%$  for voltage.

If any of the above requirements are not met, immediately contact your energy supplier and make sure the unit is not switched on until the necessary corrective actions have been taken. Failure to do so will automatically void the warranty.



It is your responsibility to protect the unit from mains voltage spikes and voltage spikes caused by lightning. Depending on the geographic location and the type of mains network (buried or overhead), local regulations may require that a lightning rod be installed. Failure to comply with the requirements of standards in force in the country of installation (e.g. NF C 15100 in France) will void the warranty.

### 9.2 Fluid connection

- Never introduce foreign bodies into the circuit.
- The connection pipes and the regulation or insulation equipment must be set up and supported so as to ensure they do not exert any force on the coil piping (pressure, torsion or flexion). It is recommended to use flexible connectors on the connections to prevent water hammer.
- Positioning of pipes: connect all piping on the unit (see dimensional drawing)
- If brazed/welded connections are used, take appropriate precautions to ensure that welding residues do not enter the circuit.

#### Special note for condensers:

- Refrigerant connections: The refrigerant connections between the condenser and the internal machine, as well as the leak tests, must be carried out by a specialist using a method in accordance with best current practices and applicable standards and regulations. Units are delivered pre-charged with nitrogen at 0.5 bar with piping blanked.
  - Blanking with brazed plugs: remove the plugs by heating them with a blowtorch.
  - Blanking with pressed metal: use a pipe cutter to cut off the end of the pipe no more than 10 mm from the end.
- Inlet/outlet according to stickers affixed to the manifold close to the orifice.
- On grounds of hygiene, SAWING AND GRINDING ARE FORBIDDEN. Use a pipe cutter.



### 9.3 Connecting a speed regulator

- A regulator must be commissioned by a specialist, as an incorrect choice/configuration could cause electromagnetic interference and damage to the motors. Minimum precautions:
  - Use a shielded cable upstream and downstream of the regulator.
  - The frequency must be between 25 and 50 Hz.
  - Fit a DU/DT filter between the speed regulator and the fans.

## 10 - OPERATION

### 10.1 First commissioning

- Read the guides for commissioning any accessories very carefully and follow all advice.
- Check that the supply voltage corresponds to that given on the data plate.
- Retighten the connections of the electrics box.
- Switch the unit on and check that all the fans are turning in the correct direction (direction of rotation shown on the labels). In the event of abnormal noise coming from the fan motor assemblies, immediately switch off the power supply and contact us.
- Ensure that the hydraulic circuit(s) are clean.
- Start charging by bleeding the air remaining in the circuit using the vents provided in the top section.
- Start increasing the pressure, then check that the pipe connections are fully sealed.

### 10.2 If anomalies occur..

We are at your disposal to bring you all the desired help. Previously, verify the following points:

- Are all fans turning in the correct direction? (check this against the labels)
- Is the supply voltage correct?
- Are the motors running at the correct speed? (check the input current)
- Has the fluid direction been reversed during connection of the coil?
- Are the fins of the coil clogged?
- Are there any issues relating to air recycling or a poor air supply?

### 10.3 Recommendations for use

Scaling and corrosion have a very negative effect on the operation and service life of the units. Therefore, only use treated water or authorised fluids (check the compatibility of any additives with the drycooler's materials).

## 11 - AC FAN MOTOR ASSEMBLIES

### 11.1 AC motor protection

- All the motors are equipped with a thermal cut-out, which is available in the motor terminal box. Wiring for the thermal cut-out is optional

### 11.2 Fan with AC motor (3-ph 230 V/400 V 50 Hz)

- On a 3-ph/400 V/50 Hz network, the motors have 2 rotation speeds, via star (Y) or delta connection (Δ).
  - Low speed with Y connection
  - High speed with Δ connection
- On a 3-ph/230 V/50 Hz electrical network, the motors have 1 rotation speed via delta connection (Δ):
  - Low speed with Δ connection

Impeller diameter	mm	910				800					
		Δ	-	Δ	-	Δ	-	Δ	-	-	-
3-PH/230 V supply		Δ	-	Δ	-	Δ	-	Δ	-	-	-
3-PH/400 V supply		Y	Δ	Y	Δ	Y	Δ	Y	Δ	-	-
Speed(s)	rpm	690	900	680	890	700	900	560	690	300	425
Weight of impeller + motor	kg	23		28		28		19		9	
Weight of fan motor assembly	kg	70		66		52		48		38	
Min. room temperature for storage	°C	-40									
Min. operating temperature	°C	-40									
Insulation class		F									
Sealing class		IP 54									
Number of starts		Max. 50 / hour									

### 11.3 Fan with AC motor 3-ph 208 V and 3-ph/400 V to 480 V 50/60 Hz

- On a 3-ph 208 V/60 Hz and 230 V/50 Hz electrical network, the motors have 1 rotation speed via delta connection (Δ).
- On a 3-ph/400 to 480 V/60 Hz electrical network, the motors have 1 rotation speed via star connection (Y):

Impeller diameter	mm	910			800			
		Δ	Δ	Δ	-	-	Δ	Δ
3-ph 208 V/60 Hz supply		Δ	Δ	Δ	-	-	Δ	Δ
3-ph/400 to 480 V/60 Hz supply		Y	Y	Y	Y	Y	Y	Y
Speed(s)	rpm	1100	1000	800	1100	1050	840	520
Weight of impeller + motor	kg	28	25	25	23	23	19	19
Weight of fan motor assembly	kg	69	66	66	51	51	47	47
Min. room temperature for storage	°C	-40						
Min. operating temperature	°C	-40						
Insulation class		F						
Sealing class		IP 54						
Number of starts		Max. 50 / hour						

## 12 - EC FAN MOTOR ASSEMBLIES

### 12.1 EC motor protection

- These motors feature integrated protection and monitoring devices. They are protected against thermal overload of the electronic components and motors, and against any failure of the Hall effect sensors to analyse the position of the rotor.
- These faults are indicated by a change of state in the KL2 fault relay (terminals COM-NO-NC). This is a potential-free changeover relay, with a breaking capacity of 2 A/250 VAC cos phi = 1.
- List of faults:
  - In the event of a thermal overload on the motor/electronic controls, or a Hall effect sensor fault: The fan stops and cannot be restarted. The fault is indicated by a change of state on the KL2 relay. The fan can only be restarted by powering off for 20 seconds then powering back on again (after the source of the fault has disappeared, otherwise the cycle restarts).
  - Rotor blockage: In the event of accidental rotor blockage, the fault is indicated by a change of state on the KL2 relay. When the blockage is cleared, the fan automatically restarts.
  - Under voltage: The motor accepts a nominal voltage/frequency range of 380 to 480 V/50 to 60 Hz with no notable modification to a handling performance. Between 380 and 290 V, the fan continues to operate with degraded performance. If the voltage drops below 290 V for 5 seconds, the motor stops. The fault is indicated by a change of state on the KL2 relay. The motor will restart when the voltage returns to its nominal value.
  - Absence of phase: If one of the 3 phases is absent for more than 5 seconds, the motor stops. The fault is indicated by a change of state on the KL2 relay. The motor will automatically restart 10 - 40 seconds after the 3 phases return. Phase inversion has no effect on the direction of rotation of the motor.

### 12.2 Fan with EC motor (3-ph 380 V to 480 V 50/60 Hz)

- On a 3-ph/380-400 V/50/60 Hz network, EC motors will have different rotation speeds depending on the control signal.

Impeller diameter	(mm)	910	800	
Supply voltage		3-PH/380 - 480 V/50/60Hz supply		
Control signal		0/10 V or 4/20 mA		
Max. speed(s)	rpm	1000	740	510
Weight of impeller + motor	kg	25	20	9
Weight of fan motor assembly	kg	65	40	38
Min. room temperature for storage	°C	-40		
Min. operating temperature	°C	-25	-25	-40
Insulation class		F		
Sealing class		IP 54		
Number of starts		Max. 50 / hour		

## 13 - ATEX (standard) FAN MOTOR ASSEMBLIES

Collar diameter	mm	1000	800
Impeller diameter	mm	976	776
3-PH/230 V supply		-	Δ
3-PH/400 V supply		Δ	Y
Max. speed(s)	rpm	1450	1450
Weight of fan motor assembly	kg	115	60
Min. room temperature for storage	°C	-40	
Min. operating temperature	°C	-40	
Insulation class		F	
Sealing class		IP 55	
Number of starts		Max. 50 / hour	

#### On request:

Other fans (speed/voltage etc.) available

## 14 - MAINTENANCE

### 14.1 Recommendations for maintenance

- Make sure power to the unit has been disconnected before servicing.
- Reduce the temperature and pressure before carrying out any work on the bundle.
- For drycoolers with an expansion vessel, lower the temperature before opening the filler cap (valve cap).
- Do not make any modifications without our agreement.
- Do not walk directly on the unit.
- Depending on the type of fluid (e.g. water without anti-freeze), take precautions to prevent the risk of freezing, which would destroy the coil. As standard units cannot be completely drained by gravity, protect from freezing as follows:
  - 1) Drain the circuit using the bleed nozzles and the vent located on the manifolds or pipes.
  - 2) Circulate compressed air through the circuit until all water has been removed.
  - 3) Fill the circuit with anti-freeze and close the circuit.
- For regulated units, do not forget the mandatory inspections.
- In winter, do not allow snow to accumulate around and on top of the unit.
- Periodically check the condition of the coatings and apply touch-ups as needed.

### 14.2 Maintenance frequency

ACTION	FREQUENCY
Retighten nuts and bolts on fan motor assemblies (grille, motor).	6 months
Clean the coil.	1 year (1)
Retighten the electrical connections.	1 month after system start-up then 1 year
Retighten all visible nuts and bolts.	1 year
Check for corrosion to the panelling and that the safety labels and name plate label are present.	1 year (1)
Clean the louvres on the electrical cabinet (optional)	1 year
Expansion vessel (optional): check that all devices work correctly and check the sealing of all couplings.	1 year
Check the electrical cables.	5 years

(1) Frequency to be adapted to the environmental conditions.

### 14.3 Information relating to condensers

The sealing test must be carried out in compliance with EC regulation no. 517/2014 relating to certain greenhouse gases. R410A, R134a and R407C are refrigerant gases with the following environmental impact:

1/ No impact on the ozone layer.

They have an ODP (Ozone Depletion Potential) index of 0

2/Impact on the greenhouse effect: Global Warming Potential (GWP) of each gas.

- R410A ----- GWP = 2088

- R407C ----- GWP = 1800

- R134a ----- GWP = 1430

- Users must ensure that periodic leak testing is carried out by qualified personnel based on the number of tonnes of CO<sub>2</sub> equivalent:

		≥ 5 tCO <sub>2</sub> eq	≥ 50 tCO <sub>2</sub> eq	≥ 500 tCO <sub>2</sub> eq
Frequency of check	Without leak detection system	Every 12 months	Every 6 months	Every 3 months
	With leak detection system	Every 24 months	Every 12 months	Every 6 months
Refrigerant charge*	R410A (GWP = 2088)	≥ 2.39 kg	≥ 23.9 kg	≥ 239 kg
	R407C (GWP = 1800)	≥ 2.77 kg	≥ 27.7 kg	≥ 277 kg
	R134a (GWP = 1430)	≥ 3.49 kg	≥ 34.9 kg	≥ 349 kg

\* The refrigerant charge and the number of tonnes of CO<sub>2</sub> equivalent will be given by the installer.

- Users of any system subject to leak testing are required to keep a log of the quantities and types of fluids used, (added or recovered), and to include the dates and results of leak tests, as well as the name of the technician and the technician's company.

- A leak test must be carried out one month after any leak repairs.

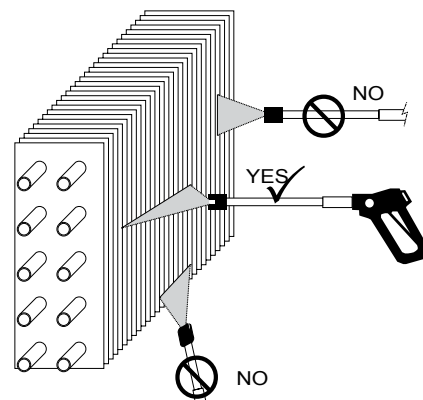
- System users are responsible for collecting used refrigerant and having it recycled, regenerated or destroyed.

### 14.4 Cleaning the coils

- Switch off the unit.
- If the unit is fitted with a "protective screen" option, remove this to access the coils.
- If the fins are damaged, straighten them using a comb.
- In the event of minor fouling (non-clogging dry residue or dust, leaves, wires, etc.):
  - Counter-flow supply air: dry air up to 30 bar.
  - Where possible, periodically reversing the flow of air generated by the fans can prevent this. This operation is not possible if the unit is equipped with EC motors.
- In the event of moderate fouling (moderate clogging due to dry residues, damp dust or grass, insects, etc.):
  - Use a high-pressure (HP) steam cleaner with a flat jet nozzle (25°).
  - Max. pressure 100 bar
  - Steam: max. 140°C
  - Min. distance between the nozzle and the fins = 200 mm
  - Cleaning fluid: municipal water with pH neutral detergent (pH 7). Avoid alkaline detergents.
  - Flushing with clean water using the same adjustment parameters.
- **IMPORTANT:** the use of detergent is prohibited for cleaning fins with a BLYGOLD®, ALTENA® or HERESITE® coating.

### Recommendations to follow when using a HP cleaner

1. Ensure the high-pressure cleaner has reached its correct temperature. Check that the fluid exiting the nozzle is steam rather than liquid.
2. Hold the high-pressure cleaner's lance at a distance greater than that recommended, then move forward into the working position.
3. Direct the flat jet created by the nozzle onto the surface of the fins and perpendicular to them. An angled position risks pushing the fins together and a parallel position risks pushing them apart.
4. To prevent residue from being pushed inside the finned block, it is often useful to perform an initial wash against the air flow direction (at the discretion of the operator and depending on the fouling level).
5. Some detergents may damage the unit's paintwork.



### 14.5 Removing and refitting a fan

- The removal of a fan is a simple operation, however special care must be taken during handling, in particular:
  - Do not pull on the blades.
  - Place the fan motor assembly on a safe surface away from areas of activity.
  - If the unit is to be shipped, provide the necessary protection and packing materials.
  - Do not remove the panel.
- The fan must be repaired if any of the blades are bent.

#### Operating mode:

#### Switch off the power supply using the mains switch or maintenance switch (optional).

1. Remove the cover from the motor's terminal box.
2. Disconnect the wires, marking the terminals to facilitate rewiring.
3. Loosen the cable gland(s) on the terminal box and pull out the cable. Remove the clamps connecting it to the fan support arm.
4. Remove the 4 M8 bolts mounting the fan on the collar (T40 torx type spanner).



**WARNING:** do not unscrew the motor mounting bolts.

5. Remove the fan using the lifting lugs.

- When refitting, position the fan on the 4 collar inserts then carry out the operations in the reverse order to removal, ensuring only the M8 bolts provided are used (tightening torque 16 Nm).
- Before turning the unit back on, make sure:
  - the ends of the blades do not touch the collar (centring of the blades in their collar): rotate the impeller by hand.
  - the wiring is correct and the terminals are properly tightened.
  - the motor terminal box seal is correctly in place (risk of rainwater ingress).
  - the cable glands are properly tightened.

## 15 - MAINTENANCE SWITCHES OPTION

---

### Function

- The maintenance switch can be used to work on a fan motor assembly without interrupting the operation of the device. It cuts the power supply to the closest motor, and the other motors remain powered on and operate normally.
- The maintenance switch is not a safety device; the installer is still obliged to fit an emergency stop on the installation.

### Precautions



- The operator must padlock the locking device to prevent the unit being switched back on by another person.
- Warning: pressing the switch only affects the associated motor. Bear in mind that, even if the unit appears to have stopped completely, it may restart at any time, and all the other components are still powered on.

### Characteristics

- Sealing: IP65
- Minimum storage temperature: -25°C
- Cable routing diameter: M20

### Electrical connections

- See connection sheet.
- For units with the "ELECTRICAL CABINET" or "ELECTRICS BOX" option, the maintenance switches are connected in the factory.

## 16 - PROTECTION CABINET OPTION

---

### Function

- Protects the motors

### Power supply

- See connection sheet or wiring diagram supplied with the cabinet.

### Limits of use

- Ambient air:
  - Storage temperature: -40/+60°C
  - Operating temperature: -25/+55°C

### Components

- Packing boxes are provided for the installer on the base of the cabinet.
- A padlockable front disconnect switch, with auxiliary contact, fitted with a device requiring the power supply to be switched off before the door is opened. This works as an emergency stop.
- One thermal-magnetic circuit breaker for each motor, padlockable with normally open auxiliary contact.

### Electrical connections

- The motors are connected to the front of the mounted cabinet on the inlet manifold side.
- For electrical connection, refer to the connection sheet or wiring diagram supplied with the cabinet.
- Make the electrical connections as follows:
  - Connection of the power circuit to the main switch.
  - Connection of the protective conductor to the earth terminal.

### ➤ Information available

- See connection sheet or wiring diagram supplied with the cabinet.
- On dry contacts:
  - Switch position feedback
  - Fault summary (failsafe)

## 17 - CONTROL CABINET WITH STAGES ON TERMINALS OPTION

---

### Function

- Protects and controls the motors. The stages are controlled by the customer's control system (stages on terminals). For the number of stages see the "stage distribution" section.

### Power supply

- See connection sheet or wiring diagram supplied with the cabinet.

### Limits of use

- Ambient air:
  - Storage temperature: -40/+60°C
  - Operating temperature: -25/+55°C

### Components

- Packing boxes are provided for the installer on the base of the cabinet.
- A lockable isolator switch is used as an emergency stop.
- Protection against short circuit provided by 1 thermal-magnetic circuit breaker per stage.
- Protection against overload: thermal cut-out wiring on the circuit breaker's trip coil. Fault processing via intervention inside the cabinet.
- 1 x 1-ph 230 V switch per stage.

### Electrical connections

- The motors are connected to the front of the mounted cabinet on the inlet manifold side.
- For electrical connection, refer to the connection sheet or wiring diagram supplied with the cabinet.
- The electrical connections are to be made as follows:
  - Connection of the power circuit to the main switch.
  - Connection of the protective conductor to the earth terminal.
- Connection for controlling control stages by dry contact on the terminal box.

### ➤ Option

#### Transformer

- 400/230 V transformer for the control circuit, for 400 V 3-phase supplies without neutral.

#### Ventilation

- Louvres with filters are fitted on the sides of the cabinet. As an option, a fan may be added for use from 45 to 55°C.

#### Heating

- As an option, a heater connected to a temperature sensor may be added for use from -20 to -40°C.

#### Humidity

- As an option, a heater connected to a humidity sensor may be added for use above 60% humidity.

### ➤ Information available

- See connection sheet or wiring diagram supplied with the cabinet.
- On dry contacts:
  - Switch position feedback
  - Fault summary (failsafe)

## 18 - CONTROL CABINET with electronic board OPTION

---

### Function

- Protects and controls the motors. The control electronic board makes it possible to control the temperature or pressure, monitor the operating parameters, communicate with certain chillers, diagnose and store faults and communicate with the remote control console, additional boards or a BMS.

### Power supply

- See connection sheet or wiring diagram supplied with the cabinet.

### Limits of use

- Ambient air:
  - Storage temperature: -40/+60°C
  - Operating temperature: -25/+55°C

### Components

- Packing boxes are provided for the installer on the base of the cabinet.
- A lockable isolator switch is used as an emergency stop.
- Protection against short circuit provided by 1 or 2 three-pole circuit breakers (ICC = 10 KA)
- Protection against overload: thermal cut-out wiring on electronic board.
- 1 x 230 V switch per stage.
- 1 Electronic board.
- 1 x console with LCD screen optional for condenser.

### **Electrical connection**

- The cabinet is connected to the motors and mounted on the front of the unit, on the inlet manifold side.
- For electrical connection, refer to the connection sheet or wiring diagram supplied with the cabinet.
- The electrical connections are to be made as follows:
  - Connection of the power circuit to the main switch.
  - Connection of the protective conductor to the earth terminal.
  - Connection for automatic operation control
  - Connection for changing the setpoint.
  - Connection for fan forced operation

### **Electronic board functions.**

- See the user manual for the electronic board.

### **➤ Options**

- 400/230 V transformer for the control circuit, for 400 V 3-phase supplies without neutral.
- Temperature sensor (drycooler): Fluid 90°C max. (optional up to 150°C max.) – 6 m cable – G 1/2" pocket – mounted on the inlet piping (except free cooling, to be mounted upstream of the valve).
- Outdoor temperature sensor (for misting or free cooling).
- Pressure sensor (condenser): 35 bar max. (optional 50 bar max.) – mounted on the "flare" union on the inlet piping.
- Remote control console: max. distance: 1000 m. To be installed locally.  
Dimensions (L x H x D): 102 x 235 x 55 mm.
- Relay board: this has potential-free (dry) contacts for remotely displaying the following parameters: unit operation, sensor faults and fan stage faults. The boards must be installed in a cabinet.
- Electrical power measurement.

### **Ventilation**

- Louvres with filters are fitted on the sides of the cabinet. As an option, a fan may be added for use from 45 to 55°C.

### **Heating**

- As an option, a heater connected to a temperature sensor may be added for use from -20 to -40°C.

### **Humidity**

- As an option, a heater connected to a humidity sensor may be added for use above 60% humidity.

### **➤ Information available**

- See connection sheet or wiring diagram supplied with the cabinet.
- On dry contacts:
  - Switch position feedback
  - Operating information
  - Fault summary (failsafe)

## **19 - ELECTRICS BOX OPTION**

---

### **Function**

- The electrics box centralises the wiring and fans on the front of the unit.

### **Characteristics**

- Ambient air:
  - Storage temperature: -40/+60°C
  - Operating temperature: -25/+60°C
- Sealing: IP55
- Cable routing diameter: M20

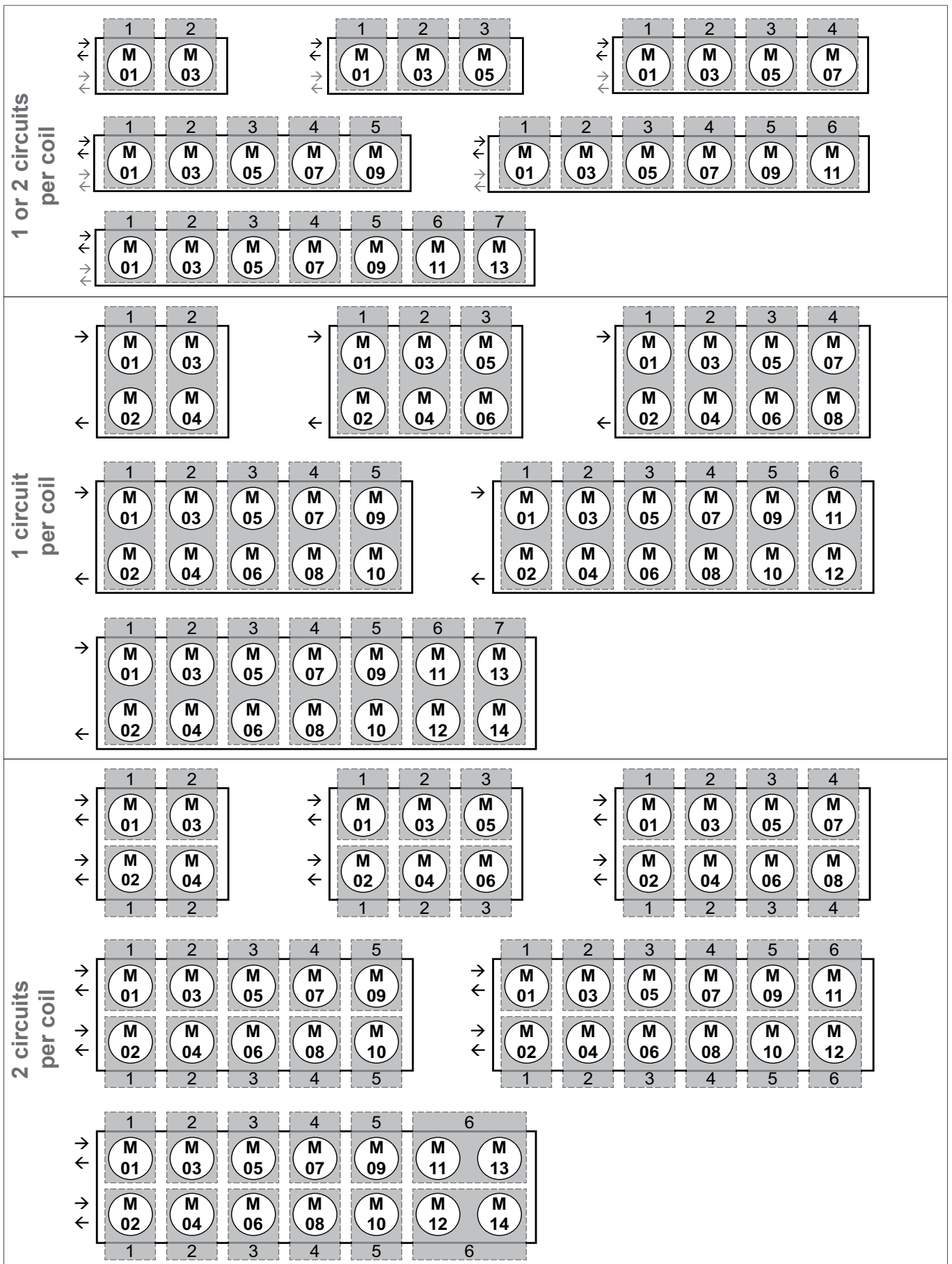
### **Components**

- Packing boxes are provided for the installer on the base of the box.
- 1 x 3-stage terminal (U1, V1, W1) for each fan for phase connection.
- 1 x 3-stage terminal (1, 2, PE) for each fan for thermal cut-out connection.
- 1 x 3-stage terminal (1, 2, PE) for each fan line for 0/10 V signal (EC FMA option).



## 20 - STAGING FOR CONTROL CABINET OPTION

EN



Key:

Number of motors

Number of stages

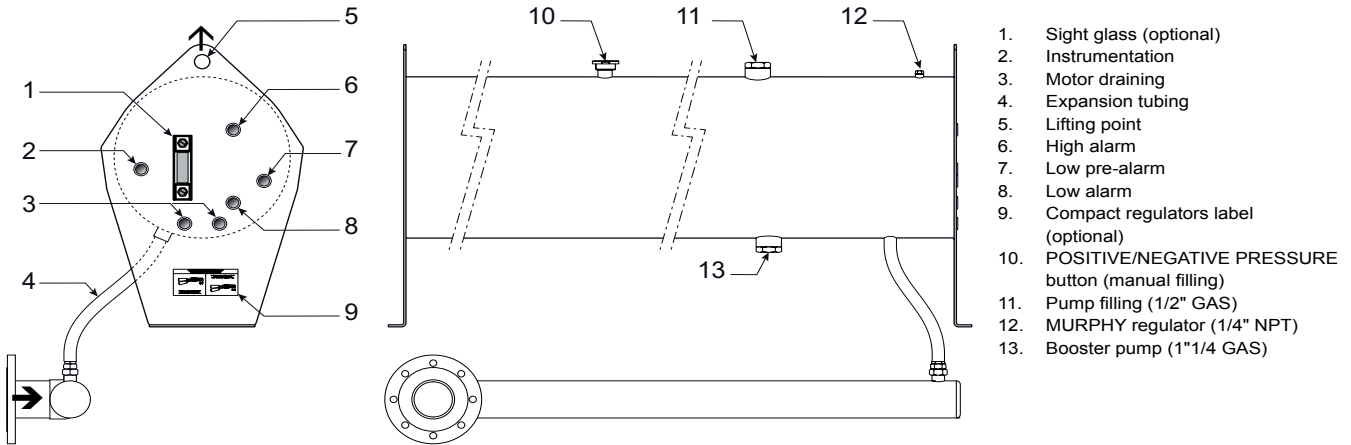
## 21 - EXPANSION VESSEL OPTION

### Function

- The expansion vessels are designed to be fitted to dry coolers, for generating set cooling applications only. Their function is to compensate for variations in the volume of fluid in one installation, while guaranteeing a sufficient quantity of coolant. Any other use is forbidden. They must always be installed at a high point on the installation.

### Limits of use

- These vessels are not subject to [PED] Directive 2014/68/EU.
- Limits of use: Maximum Permitted Pressure (WP) = 0.5 bar, max. temp. = 100°C.
- The "POSITIVE/NEGATIVE PRESSURE" button is not a safety device: a valve rated at 0.5 bar must be fitted on the installation.



### Description

- There are 2 sizes available as standard for 1 or 2 circuits:
  - VE 130 for units with 1 fan line (VE130D for dual circuits)
  - VE 270 for units with 2 fan lines (VE270D for dual circuits).

Vessels on dual circuits are partitioned as follows: 1/3 (low temp.), 2/3 (high temp.).

### Characteristics

	VE130	VE130D		VE270	VE270D	
		LT	HT		LT	HT
Length (mm)		1074			2194	
Height (mm)						
VT = TOTAL CAPACITY (litres)	130	43	87	268	89	179
V1 = HIGH ALARM capacity (68% VT)	89	30	59	182	61	121
V2 = Cold FILLING capacity (35%VT)	46	15	31	94	31	63
VU = USEFUL expansion volume	43	14	29	88	29	59
LOW PRE-ALARM capacity (32%VT)	42	14	28	86	29	57
LOW PRE-ALARM capacity (16%VT)	21	7	14	43	14	29
Empty WEIGHT (kg)	44	52		77	79	

### Optional equipment

- Sight glass. Gives a visual indication of the level of liquid (range: 100 mm) between the high alarm level and the low pre-alarm level.
- Float-type or MURPHY-type regulators available for high alarm, low pre-alarm or low alarm (combinations on request).

### Connection

- For HORIZONTAL and VERTICAL units with 1 fan line, the expansion vessel is supplied fitted and connected (except for the vertical "S" module with 1 fan motor assembly). No connection is necessary.
- For VERTICAL units with 2 fan lines, the vessel is supplied separately.
  - Place the vessel on top of the unit and screw in the 2 feet on the side rails.
  - Connect the expansion tubing to the sleeve on the dry cooler intake manifold.
  - If required by the installation, connect the booster pump (see diagram).

- Next, connect any optional equipment to the power supply (see specific manuals).

### Commissioning

- Open the sight glass hole
  - Fill the vessel via the plug until the fluid overflows from this hole.
  - The vessel is then filled to its cold filling level. Close the sight glass hole again and refit the filling cap. The vessel is operational.
- After several hours of operation, check the seals on all the couplings, top up the fluid if necessary and check the correct operation of the equipment (e.g. level regulators, etc.).

### Maintenance

- At least once a year, check that the equipment is operating correctly and check the seals on all the couplings. Top up the fluid if necessary.

## 22 - SPECIAL INFORMATION FOR ATEX AREAS

in accordance with directive 2014/34/UE (explosive atmospheres)

### 22.1 General information

Evaluation of the level of danger of explosion established in accordance with standards EN 13463-1 and EN 1127-1.

The units are certified as complying with the recommendations in standard EN 13463-5 "Protection by constructional safety 'c'".

The user must classify the various potentially explosive areas in accordance with directive 1999/92/EC.

The units are selected and manufactured according to the type of area defined by the user.


A unit must never be operated under conditions other than those for which it was designed.

### Markings

Each unit is supplied with an ATEX certificate of conformity. The ATEX labelling is affixed to the data plate as shown below:

E.g.:  **II 2G IIB/IIB + H<sub>2</sub> or IIC TX (\*)**

#### Explanation of the labelling:

- : Standardised ATEX logo
- **II**: Group II = surface industries
- **2**: Category of equipment = installation area 1 or 2
- **G**: Equipment which can be installed in a gas zone

\*: The labelling and the equipment integrated into the unit are adapted according to the conditions defined by the customer in the sheet completed prior to ordering:

- **IIB/IIB + H<sub>2</sub> or IIC**: Gas explosion set (IIA, IIB or IIC)  
**IIB** suitable for gas sets IIA and IIB  
**IIC** (or IIB + H<sub>2</sub> [depending on the labelling on the integrated equipment] if hydrogen present)
- **TX** replaced in the labelling by the temperature class given in the operating conditions defined by the customer, T2 (300°C) to T6 (85°C), indicates the maximum permitted surface temperature.

### System start-up, maintenance

The units must be installed and commissioned by a qualified professional.

All the provisions set out by the current directives and standards must be respected during installation, for example, automatically linking the unit's supply to the presence of a flow rate detected by a sensor.

In all cases, refer to the general information section of this manual, to the specific manuals for the ATEX components built into the unit and listed in the ATEX dossier, and to the specific precautions below:

- Install the units so that the temperatures at and around the intake are between -40 and +60°C.
- The units and the additional metal elements must be connected electrically by a grounding cable linked to the frame.
- Select and install all the electrical connection and control components according to the risk zone in which they will be installed.
- All remote metal components (screens, pipes, etc.) must be grounded, if necessary by grounding cables.
- Heat protection is compulsory for the motor (not supplied as standard, contact us), and must be connected by the installer (away from the ATEX area).
- The installer must use all available devices to ensure that the temperature of the various elements of the installation remains below the autoignition temperature of the gas in question.

Any modification to the unit without our prior approval is prohibited.

Ensure that, during assembly or maintenance operations, no element (tools, screws, components, etc.) are left in the unit, as this could cause a dangerous situation to arise (see section 22.3).

Prior to any maintenance operation, ensure that the unit is powered off.

After each maintenance operation, check that all the removed components have been refitted and secured in their original position.

Ensure that the ground straps are in good condition and reconnected.

Regularly check the mounting of removable parts such as fan motor assemblies, enclosures, feet, or the expansion vessel.

#### Exchanger coils:

The temperature of the fluids circulating in the coils must not exceed the value given on the unit's name plate.

It must be below the surface temperature limit (or temperature class) corresponding to the ATEX atmosphere for which the unit is certified (See marking).

#### **Electrical connections:**

**All electrical connections must be performed by qualified, ATEX-approved personnel. On no account the manufacturer can be held responsible for the realization of these connection who are outside his service.**

#### **Prevention of corrosion:**

If any rust appears, sand the corroded surface with an emery cloth, clean, then protect with rustproof, anti-electrostatic paint.

## **22.2 Periodic inspections and checks**

### **Unit vibration**

#### **DANGERS**

- The vibration check detects:
  - Any wear to rotating parts. Any significant discrepancy in the vibration speeds may cause parts to come into contact with each other, which may spark an explosion; it may even cause certain parts to break with the same result.
  - An increase in the vibration speeds may also indicate that there is an accumulation of dust and an imbalance has been created. An accumulation of dust can spark an explosion, by creating areas of contact or by reducing the ignition temperature of the gas.

#### **CHECK**

Users must ensure that the vibration levels of the fan remain below the standardised levels, and that there are no deviations in the vibration speed values.

Application category BV3 according to standard ISO 14694.

#### **FREQUENCY OF CHECK**

Depending on the use (room temperature, and hourly rate of rotation of the device) and the fluid circulated (from highly charged with particles, to very clean), users must check the vibration speeds so that any discrepancy in the speed levels can be detected.

- The frequency of checks must be as follows:
  - Every 150 hours, or weekly, during the first month of installation.
  - Every 2000 hours, or every 3 months thereafter.

#### **CORRECTIVE ACTIONS**

If a deviation in the vibration speed values is noted, the fan must be stopped and the impeller inspected. If dust is found, all the areas affected must be thoroughly cleaned. If the vibration speed level is still compliant with the standardised thresholds, the fan may return to normal operation.

If the alarm level is reached, schedule a 2<sup>nd</sup> inspection and return to checking every 150 hours, or weekly.

If the maximum standardised vibration thresholds are exceeded, the fan must be stopped, a record must be made, and a 2<sup>nd</sup> inspection must be performed.

In all cases, a vibration check must be performed after the fan is returned to normal operation.

### **Checking the ground continuity**

#### **DANGERS**

- There is a risk of electrostatic discharge.

#### **CHECK**

- For fans fitted with straps:
  - Perform a visual inspection of the ground straps (check they are present) and check that the ground strap terminal retaining screws are correctly tightened.
  - With the fan switched off, measure the resistance between one ground strap terminal on the intake section and the connection terminal to the customer ground with a supply of 12 Volts. During the first check, this measurement must be noted on the maintenance sheet (see section 22.4 - Appendix, next page) as well as the reference resistance. The resistance must not exceed 25% of the reference resistance.
- If the resistance check exceeds 25% of the reference resistance:
  - Dismantle each ground strap terminal individually. Only one terminal must be disconnected at a time (this operation must be performed with the fan switched off).
  - Check that there is no area of pitting corrosion on the grounding lug or strap terminal.
  - Repeat the resistance measurement.

#### **FREQUENCY OF CHECK**

- Elements ensuring ground continuity must be checked at the following intervals:
  - Every 150 hours, or weekly, during the first month of installation.
- If any irregularity is detected during this period of observation:
  - Every 5000 hours, or annually thereafter.

## CORRECTIVE ACTIONS

In the following cases:

- Ground strap terminal retaining screws incorrectly tightened:
  - Retighten the screws, if the problem persists.
- Areas of pitting corrosion detected on the grounding lug
  - Lightly grind the surface of the lug and carefully check the condition of the ground strap terminal.
- Areas of pitting corrosion detected on the ground strap
  - Replace the ground strap.

### 22.3 Using tools in an explosive atmosphere

The operating managers for the installations and processes which include explosive atmospheres must provide all persons working on a site with information relating to using manual tools in complete safety. There are two different types to be taken into consideration:

- Type A: Tools liable to only produce single sparks when used, such as screwdrivers, spanners or impacts wrenches, for example;
- Type B: Tools that generate a plume of sparks, which may be used during grinding or sawing operations.

In zones 1 and 2, only type A tools are permitted; use of type B tools can only be authorised if no dangerous explosive atmosphere is present within the working area.

In zone 1, and in the presence of substances belonging to group IIC (acetylene, carbon disulphide, hydrogen) and hydrogen sulphide, ethylene oxide, carbon monoxide, if there is a risk of explosion due to the presence of these substances, the use of steel tools is prohibited unless it can be assured that no dangerous explosive atmosphere remains in the place of work whilst these tools are being used.

The use of tools in zones 1 and 2 must be subject to the "work permit" system.

All other types of tools or equipment required for maintenance operations (vacuum cleaners, etc) must be compatible with use in the ATEX zone in question. Otherwise, it must be ensured that, prior to and for the duration of any maintenance operation, the place of work is sufficiently ventilated to prevent the presence or formation of an explosive atmosphere.

### 22.4 Appendix

- Control sheet.

Date	Check or Test performed	Initial values	Number of hours of service	Type of operation	Comments	Approved	Failed
	Vibration speed on the motor bearing, control side. (According to standard ISO 14694)						
	Ground strap between the motor and the fan.	-					
	Ground strap between the user ground and the unit.	-					
	Impeller inspection.	-					
	Motor current check.						
	Room temperature.						
	Accumulation of dust on the fan.	-					
	Ground continuity check. Reference resistance in Ohms						

## 23 - DESTRUCTION OF THE UNIT

---



### Shutting down

- Separate the units from their energy sources, allow them to cool then drain them completely.

### Recommendations for disassembly

- Handling operations must be carried out by qualified personnel using PPE. The PPE must comply with the safety rules.
- Use the original lifting equipment.
  - If the signs relating to lifting have been removed (anchoring points, slinging instructions, weight) you must find out this information.
- Sort the components according to their material for recycling or disposal, in accordance with regulations in force.
- Check whether any part of the unit can be recycled for another purpose.



### Materials to be recovered for recycling

- Galvanised carbon steel
- Stainless steel
- Copper
- Aluminium
- Plastics
- Polyurethane foam (insulation)
- Electrical equipment.
- The electronic board can be recycled by a recovery company (gold, silver).



### Materials to be recovered for recycling

- Drycoolers: MEG, MPG. Thermal fluid
- Refrigerant fluid: R404, R407A, R407C, R410A, R134a, R22 depending on the condenser type
- Compressor oil

### Waste electrical and electronic equipment (WEEE)

- At the end of its life, this equipment must be disassembled and contaminated fluids removed by professionals and processed via approved channels for electrical and electronic equipment (WEEE).
  - In France, a partnership has been established with companies for the collection and recovery of professional waste governed by European Directive WEEE 2012/19/EU. This partnership simplifies the mandatory administrative procedures and ensures that old equipment is recovered via an official, structured channel. In terms of renovation work in France (mainland and overseas), for every new unit installed, our partner will collect and dismantle your existing equipment. Contact us for details of our partners.
  - For other countries, please refer to the legislation in force and the specific solutions available to ensure your waste is processed legally.





**Head office**

Avenue Jean Falconnier B.P. 14  
01350 Culoz - France  
Tel. : +33 (0)4 79 42 42 42  
Fax: +33 (0)4 79 42 42 10  
info@ciat.fr - www.ciat.com

**C**ompagnie Industrielle  
d'**A**pplications **T**hermiques  
Corporation with a capital of €26,728,480  
R.C.S. Bourg-en-Bresse B 545.620.114



ISO9001 • ISO14001  
OHSAS 18001

**CIAT Service**

[www.ciat.fr](http://www.ciat.fr)

Non-contractual document. As part of its policy of continual product improvement, CIAT reserves the right to make any technical modifications it feels appropriate without prior notification.



With Ecofolio,  
all papers  
can be recycled