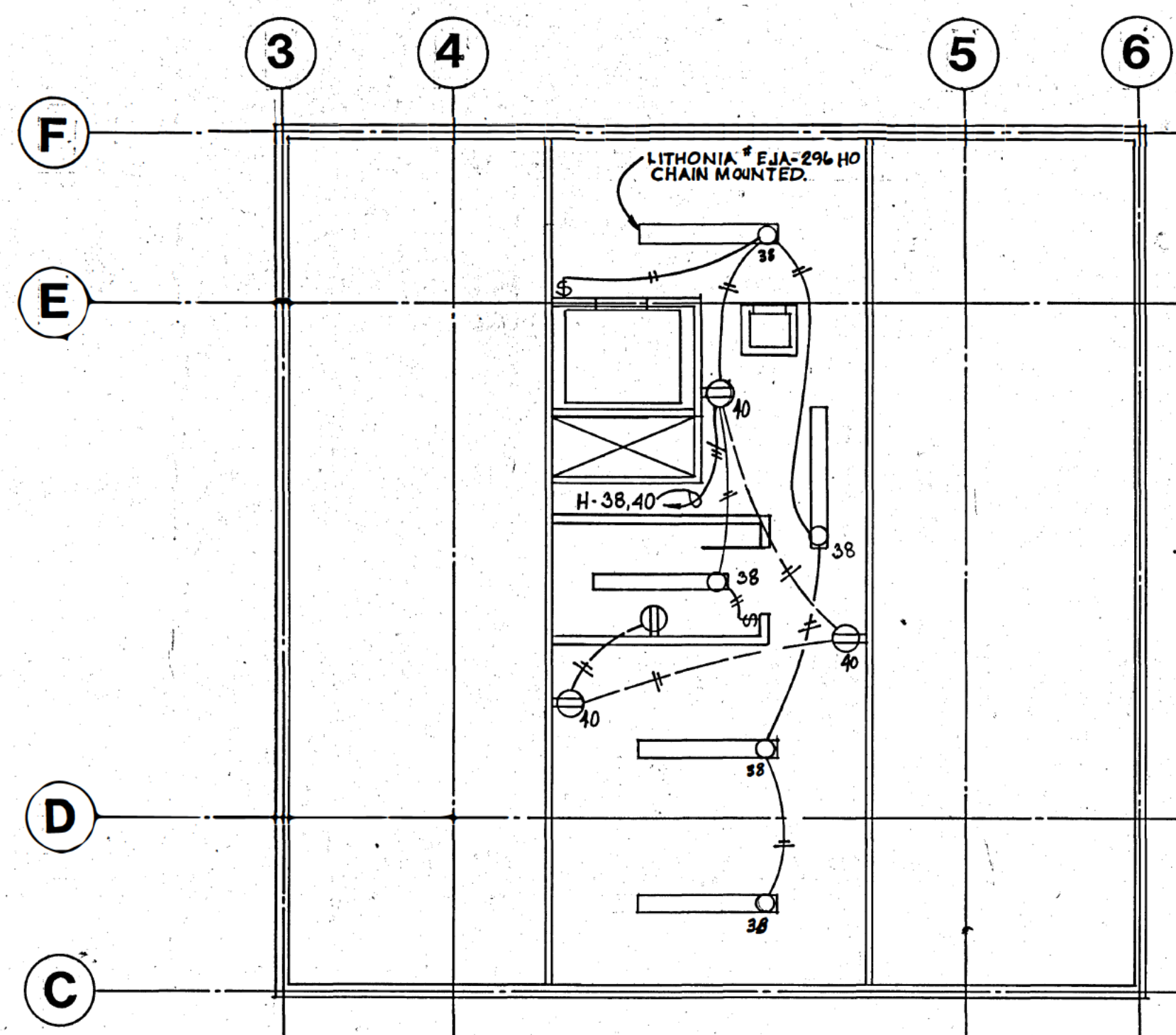


PENTHOUSE - MECHANICAL POWER

1/8"=1'-0"

AC-1	AIR CONDITIONING UNIT AC-1. 30 HP, 208 V, 3Ø Compressor, 20 HP, 208 V, 3Ø Fan motor, F-1. Unit has a single point power connection. Provide fusible disconnect switch.
EF-2	FAN F-2. 7-1/2 HP, 208 V, 3Ø, 60A3P non-fuse disconnect.
EF-3	FAN F-3, 10 HP, 208 V, 3Ø, 60A3P non-fuse disconnect.
P-2	PUMP 2 HP, 208 V, 3Ø 30A3P non-fuse disconnect.
DF-1,2	DUCT FURNACES. FRACTIONAL HP, 120 V, non-fuse disconnects.
WH-1	WATER HEATER. FRACTIONAL HP, 120 V, non-fuse disconnect.
EF-1	TOILET ROOM EXHAUST FAN. VERIFY LOCATION PRIOR TO ROUGH-IN. 1/5 HP, 120 volt. Non-fuse disconnect. Inter-lock electrically with FAN F-1.
CC-1	CONTROL COMPRESSOR. 1/2 HP, 120 volt, Duplex. Fused disconnect. Verify location with Mechanical Drawings prior to rough-in.

LIGHTING FIXTURE SCHEDULE.		
A 3-34U	Fluorescent troffer, for mounting in an inverted tee-bar ceiling. 16 cell parabolic aluminum louver, semi-specular finish. 40 degree shielding. With adjustable air return slots through the lamp compartment.	Daybrite LGC-322S-16A22-120V, or equivalent in Lithonia, or Columbia.
B 2-34	Fluorescent strip lighting unit for Toilet Rooms.	
C 150	Surface mounted incandescent lighting unit. Threaded round opal glass. Matte white.	Prescolite CF-28
D 150	Recessed incandescent down light. Black mirror polished alzak reflector. Designed for "A" lamps. 150 watt, I.F. A-21.	Capri AE011-T044
F 150	Similar to Type D/150 except for exterior use.	Capri AE011-T044 with damp area label.
EM 2-12	Emergency wall mounted lighting unit. Battery back up. To operated from un-switched corridor lighting circuit.	Lithonia ELC-2 or as approved.
X 2-25	Exit lighting unit. Surface mounted, with down lighting component. Green stencil letters. Direction arrows as indicated. With standby by battery accessory kit.	Devine DVG80-85 Series.
PL 250	Parking lot lighting standard. Single fixture for 250 watt HPS lamp. Minus 20 degree F ballast. Rectangular shaped cut-off style fixture. Type IV lighting pattern. Bronze finish. 16 foot high square "Cruciform" shaped pole.	Gardco H19-1-4-120-250HPS-BRA Pole CA416H BRA.
PL 2-250	Similar to Type PL/250 except for two fixtures per pole. Configuration 2.	Gardco H19-2-4-120-250HPS-BRA Pole CA4 16H BRA.

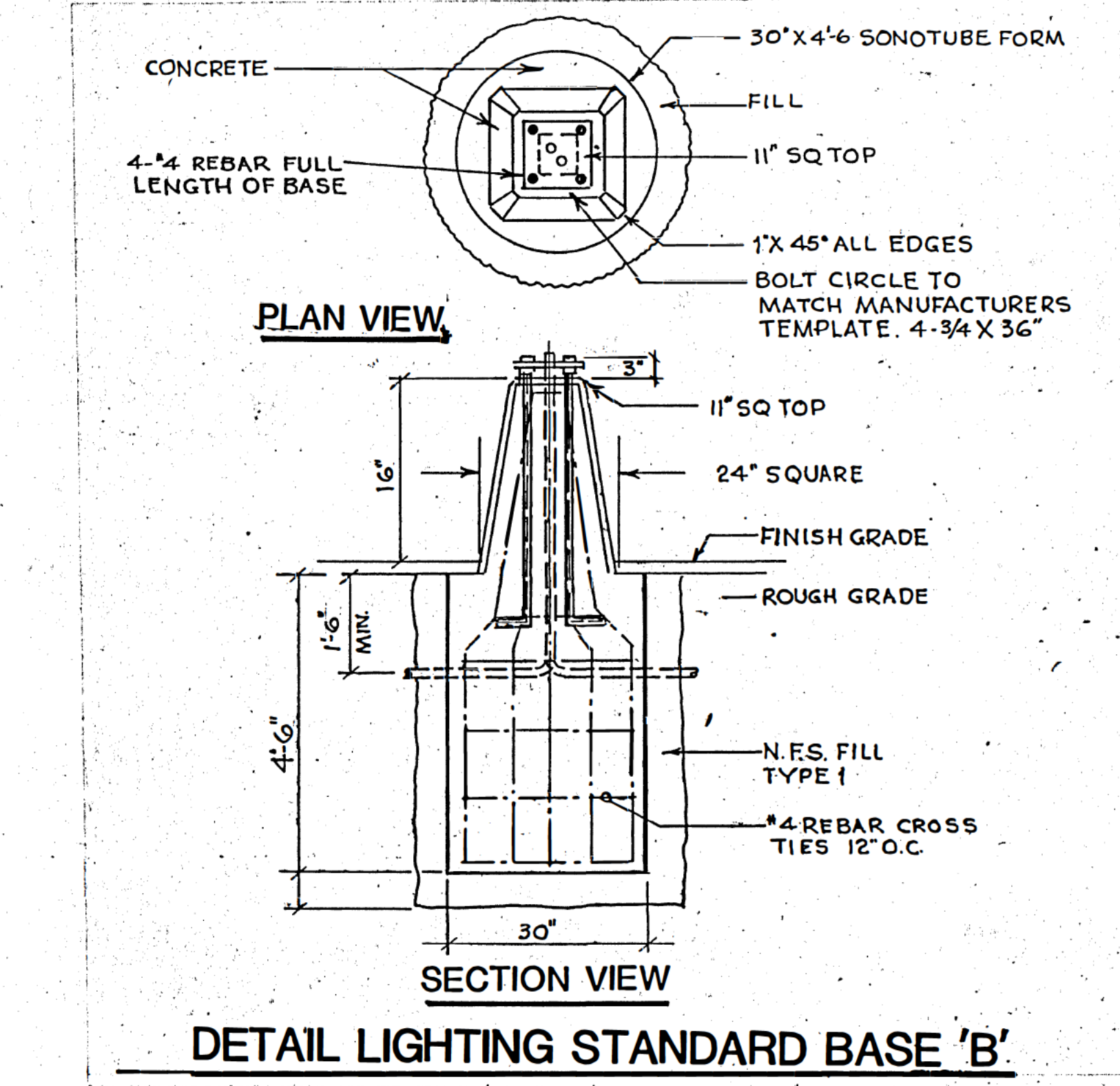


PENTHOUSE - POWER & LIGHTING

1/8"=1'-0"

PANEL SCHEDULE										
NO. 1A		LOCATION: TENANT SPACE 1A			120/208 VOLTS		1 PHASE		3 WIRE	
SERVING: LIGHTS & POWER		100 AMP with MAIN LUGS								
CKT NO.	LOAD DESCRIPTION	KVA	TRIP AMPS	TRIP AMPS	KVA	LOAD DESCRIPTION	CKT NO.			
1	D.C.O.'S	.6	20AIP	20AIP	.6	D.C.O.'S	2			
3							4			
5							6			
7	LIGHTS	.7	20AIP				8			
9							10			
11							12			
13							14			
15							16			
17							18			
19							20			
21							22			
23							24			
25							26			
27							28			
29							30			
31							32			
33							34			
35							36			
37							38			
39							40			
41							42			

PANEL SCHEDULE										
NO. 1C		LOCATION: TENANT SPACE 1C			120/208 VOLTS		1 PHASE		3 WIRE	
SERVING: LIGHTS & POWER		100 AMP with MAIN LUGS								
CKT NO.	LOAD DESCRIPTION	KVA	TRIP AMPS	TRIP AMPS	KVA	LOAD DESCRIPTION	CKT NO.			
1	D.C.O.'S	.6	20AIP	20AIP	1.0	D.C.O.'S	2			
3							4			
5							6			
7	LIGHTS	.7	20AIP				8			
9							10			
11							12			
13							14			
15							16			
17							18			
19							20			
21							22			
23							24			
25							26			
27							28			
29							30			
31							32			
33							34			
35							36			
37							38			
39							40			
41							42			



DETAIL LIGHTING STANDARD BASE 'B'

PANEL SCHEDULE										
NO. 1B		LOCATION: TENANT SPACE 1B			120/208 VOLTS		1 PHASE		3 WIRE	
SERVING: LIGHTS & POWER		100 AMP with MAIN LUGS								
CKT NO.	LOAD DESCRIPTION	KVA	TRIP AMPS	TRIP AMPS	KVA	LOAD DESCRIPTION	CKT NO.			
1	D.C.O.'S	.8	20AIP	20AIP	.6	D.C.O.'S	2			
3							4			
5							6			
7	LIGHTS	.9	20AIP				8			
9							10			
11							12			
13							14			
15							16			
17							18			
19							20			
21							22			
23							24			
25							26			
27							28			
29							30			
31							32			
33							34			
35							36			
37							38			
39							40			
41							42			

PANEL SCHEDULE										
NO. H		LOCATION: FIRST FLOOR ELEC. RM.			120/208 VOLTS		1 PHASE		3 WIRE	
SERVING: PENTHOUSE, CORRIDOR & HVAC		100 AMP with MAIN LUGS								
CKT NO.	LOAD DESCRIPTION	KVA	TRIP AMPS	TRIP AMPS	KVA	LOAD DESCRIPTION	CKT NO.			
1	EF-1 EXHAUST FAN #1	1.3HP	20AIP	20AIP	4.0A3P	EF-2 EXHAUST FAN #2	2			
3	DF-1 DUCT FURNACE				1.2HP		4			
5	DF-2						6			
7	PL-2 PUMP #2		20AIP		5.0A3P	EF-3 EXHAUST FAN #3	8			
9							10			
11							12			
13	WH-1 WATER HEATER	1.4	20AIP		20AIP	LIGHTS	14			
15	CC-1 CONTROL COMPRESSOR	1.2HP					16			
17	LIGHTS	.4					18			
19		.6					20			
21		.8					22			
23		.5					24			
25		.8					26			
27		.7					28			
29		.3					30			
31		.1				OUTSIDE LIGHTS	32			
33		.2					34			
35		1.0				LIGHT & FAN - ELEV.	36			
37		1.6				D.C.O. PENTHOUSE	38			
39		1.2				LIGHTS	40			
41		.6				SPA C.E	42			