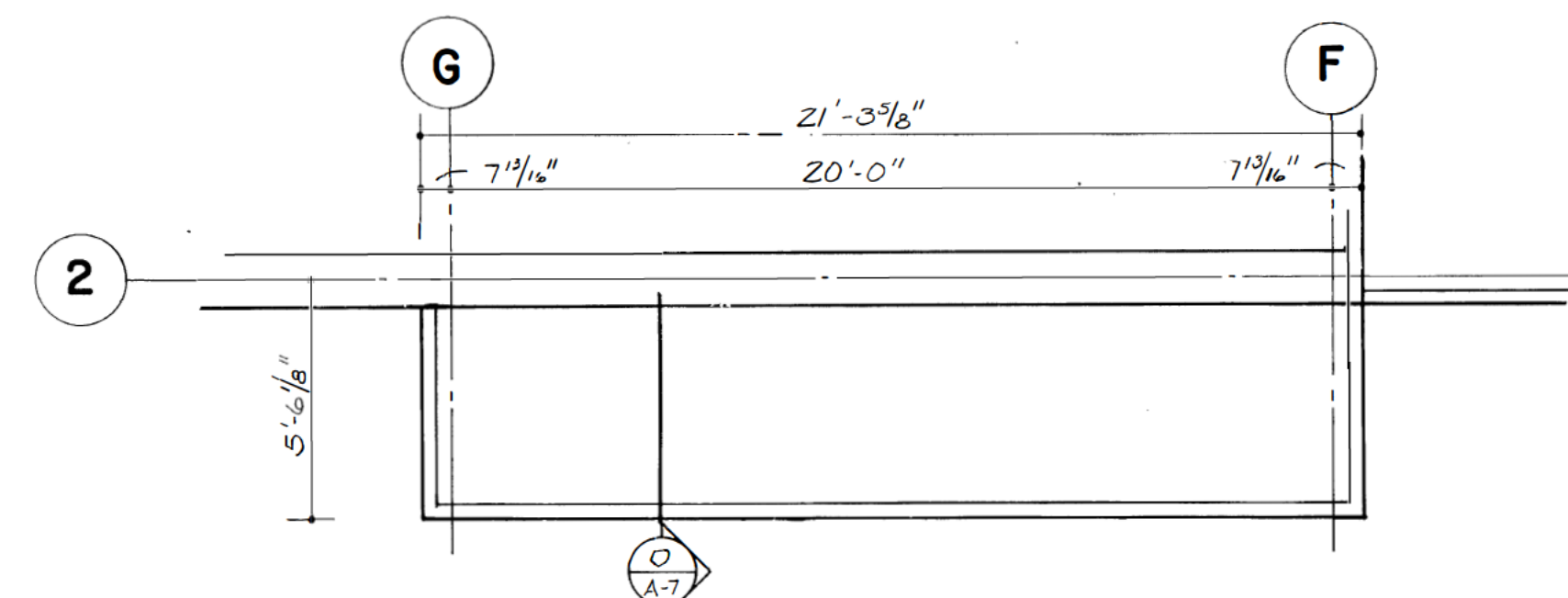


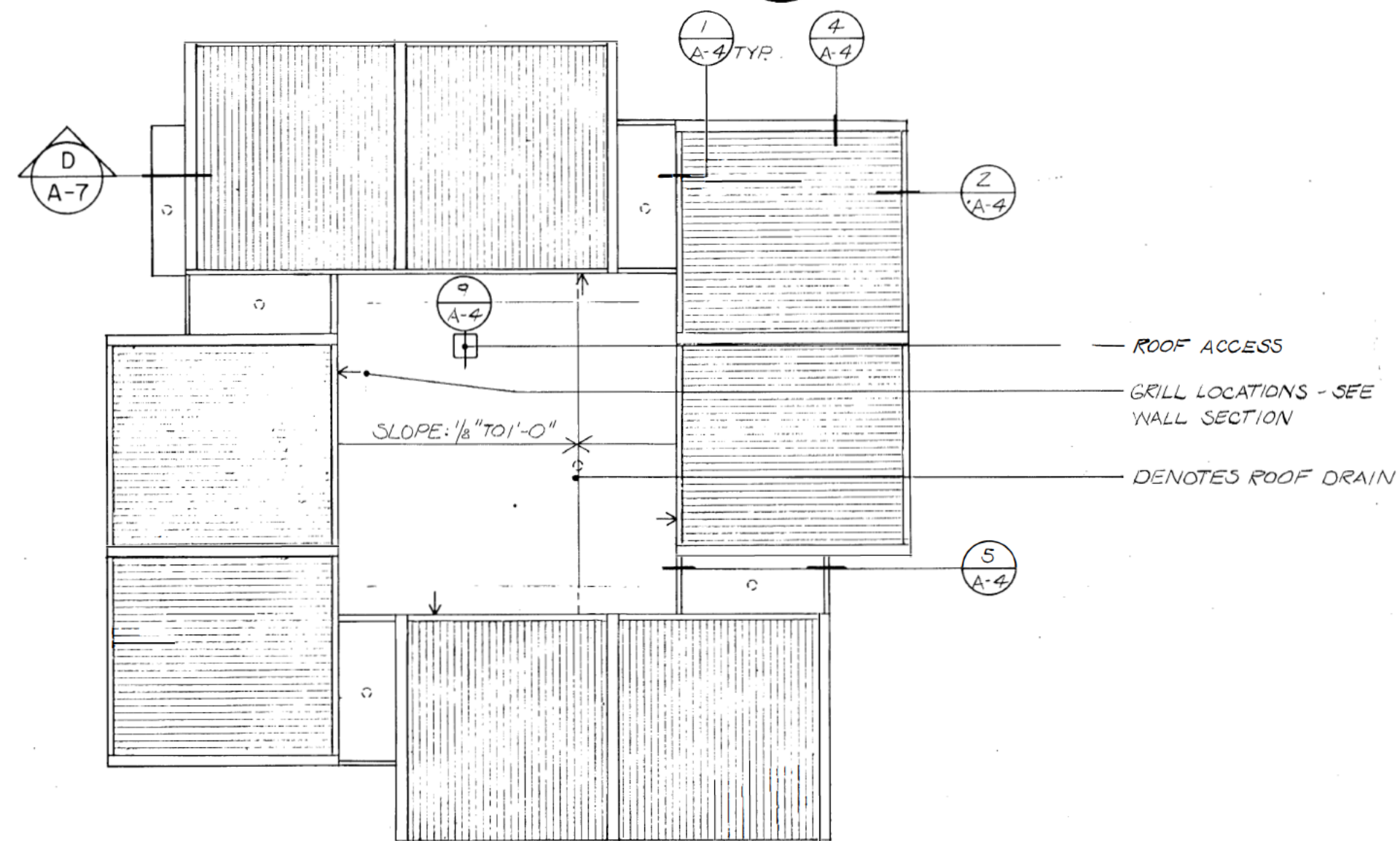
**PENTHOUSE PLAN**

SCALE: 1/8" = 1' 0"



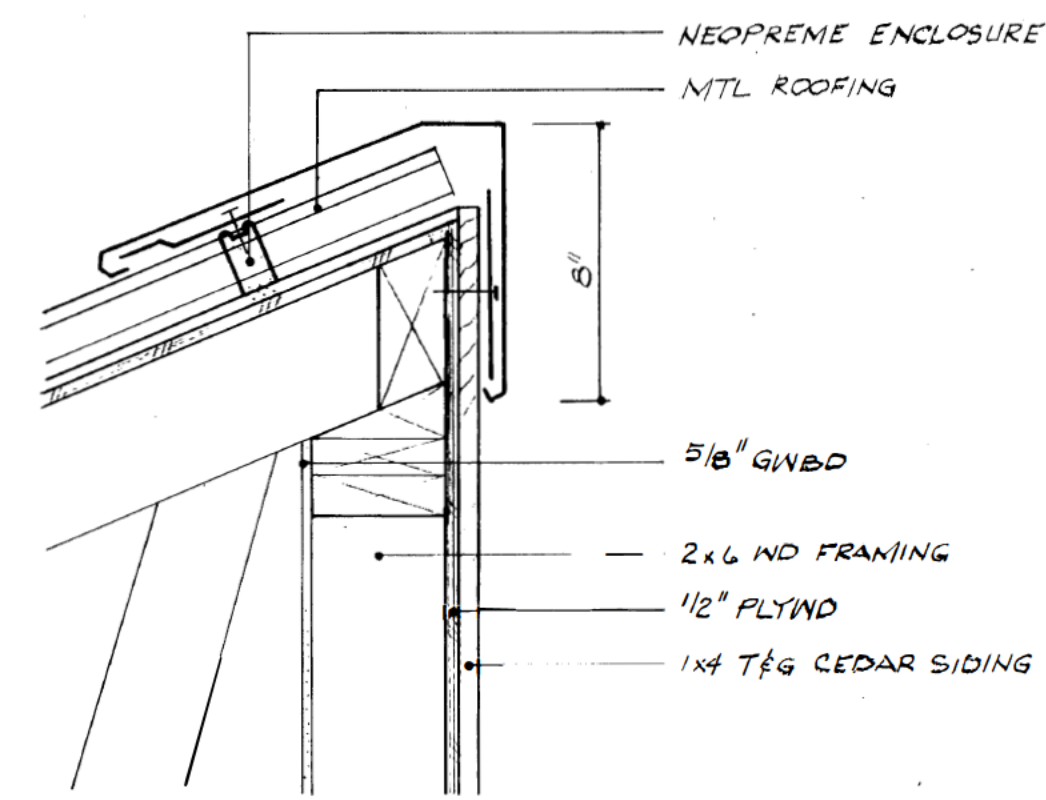
**ENTRY CANOPY PLAN**

SCALE: 1/4" = 1' 0"

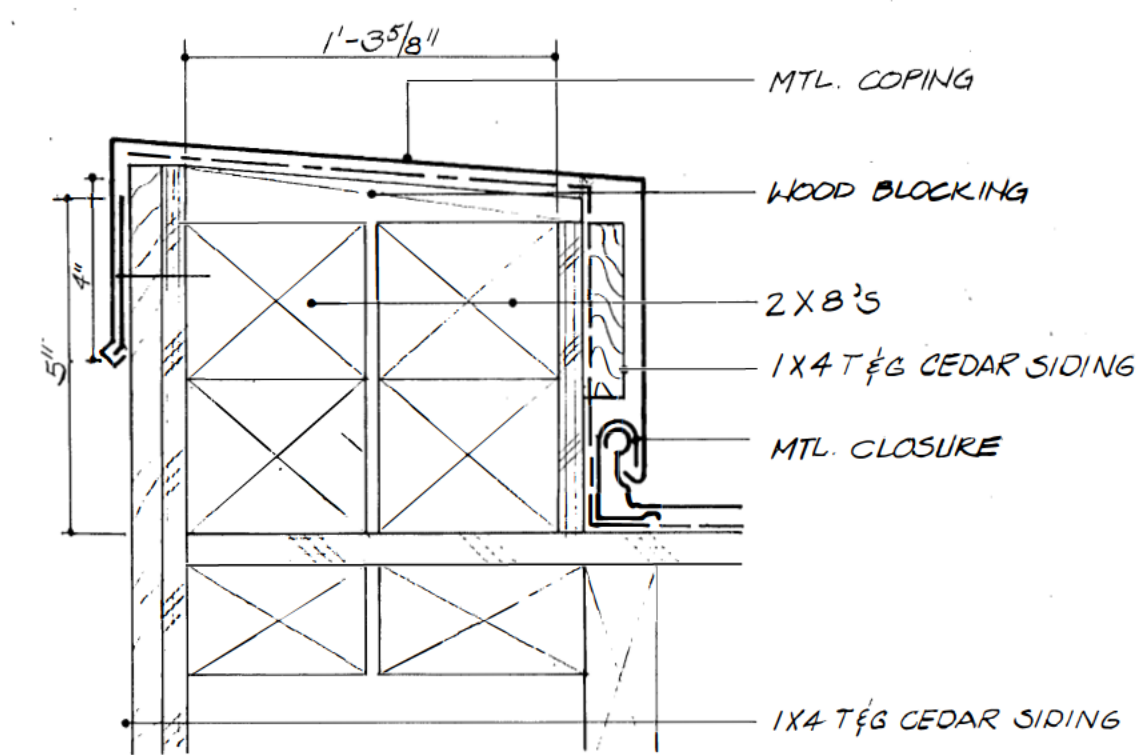


**ROOF PLAN**

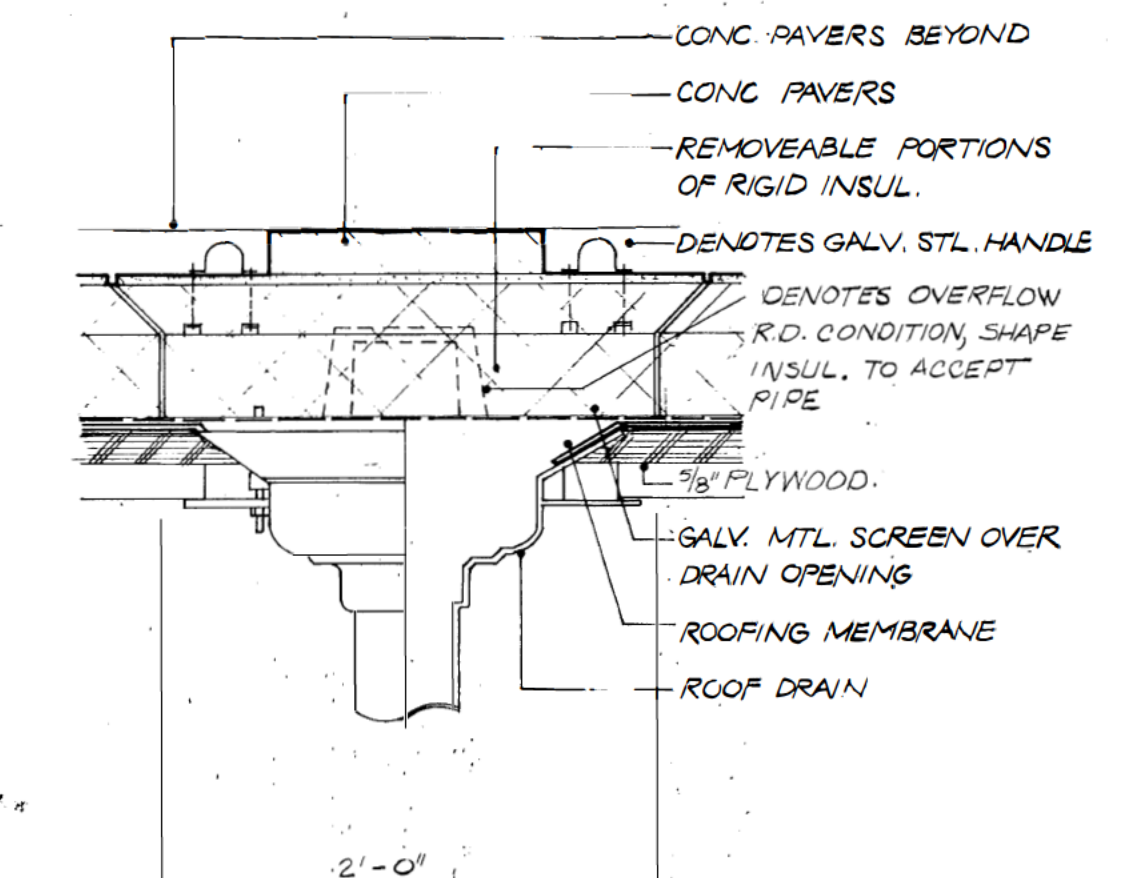
SCALE: 1" = 20'



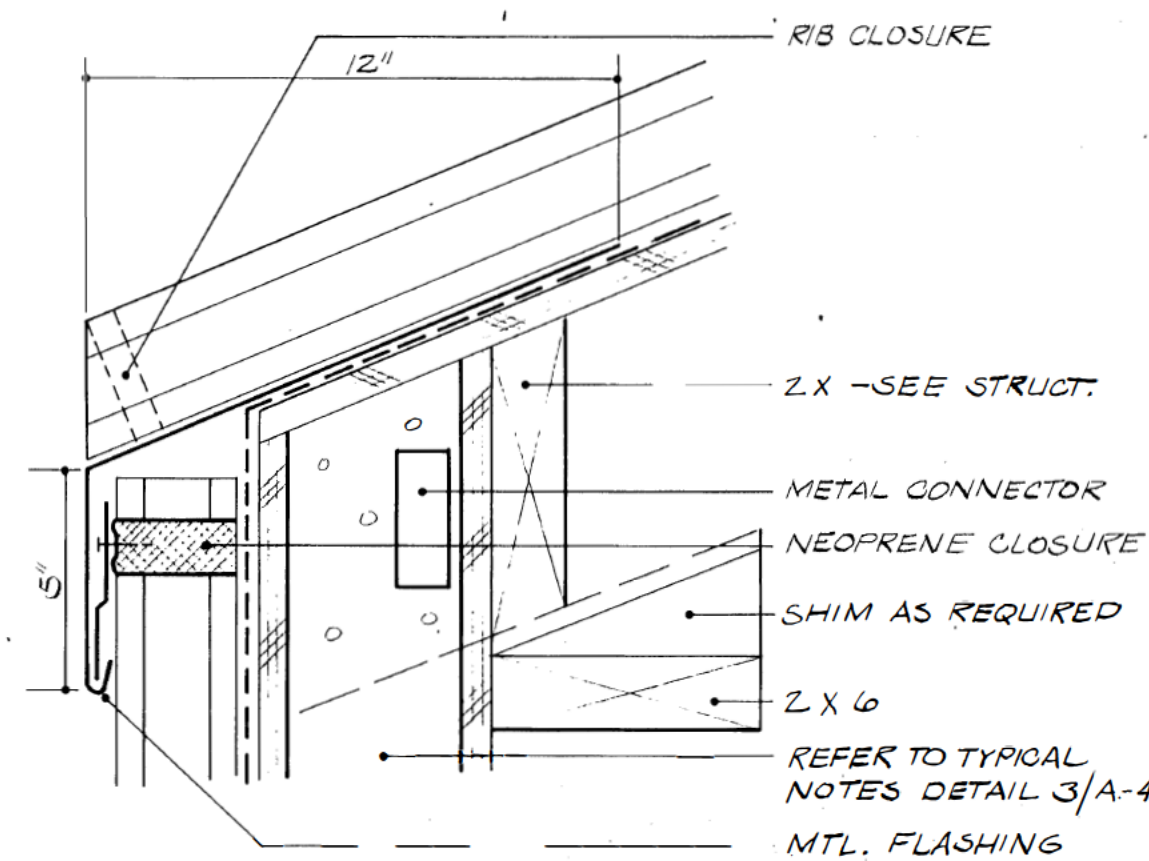
**1 A-4 PITCHBREAK AT PEAK**



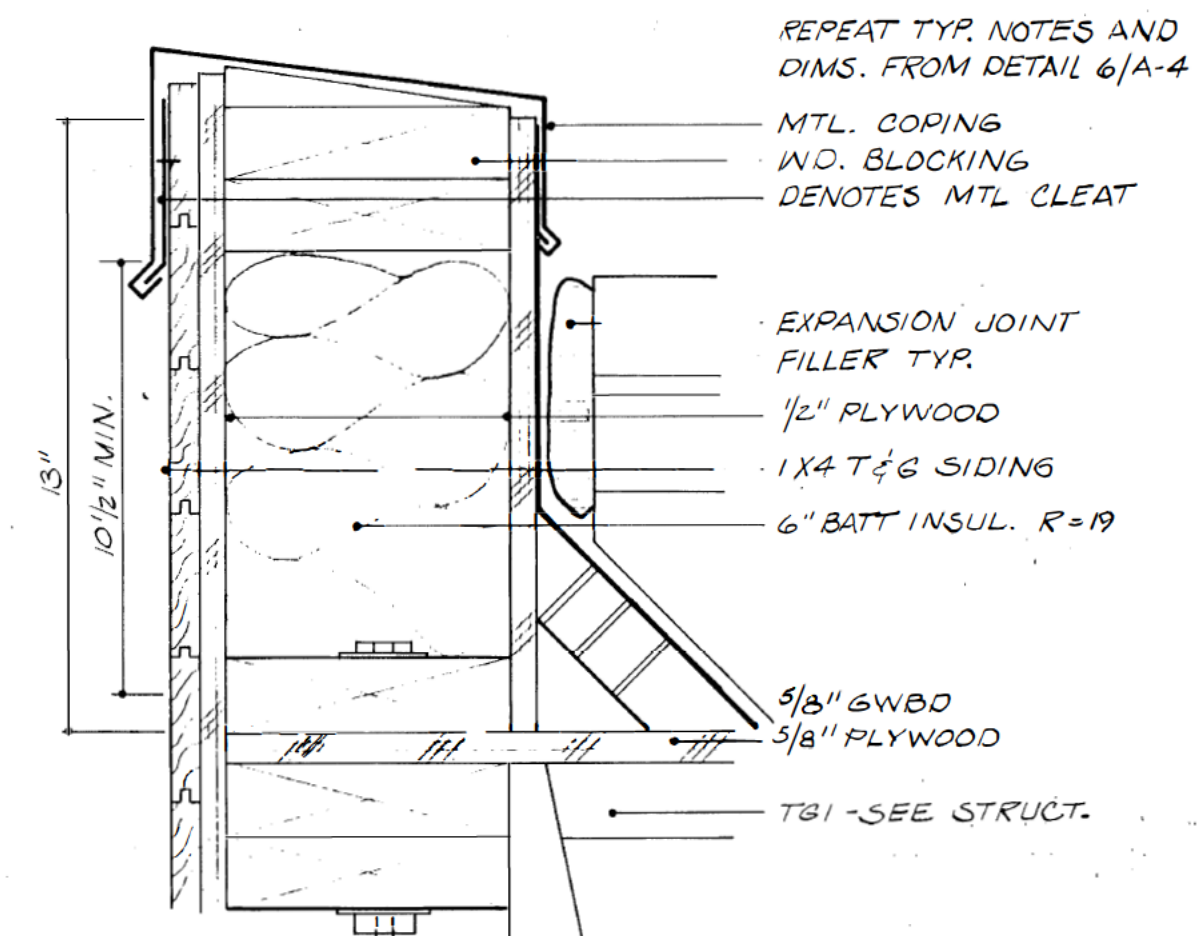
**4 A-4 RAKE DETAIL**  
N.T.S.



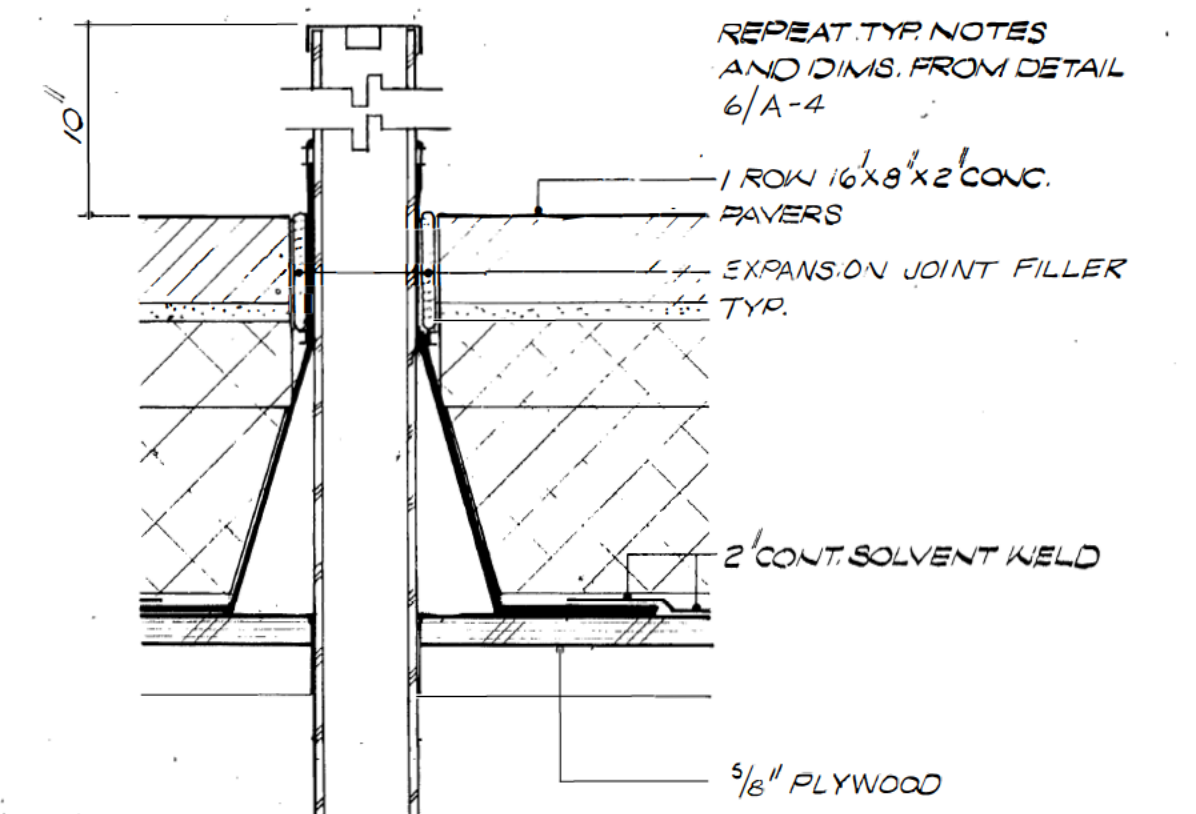
**7 A-4 TYPICAL ROOF DRAIN**  
N.T.S.



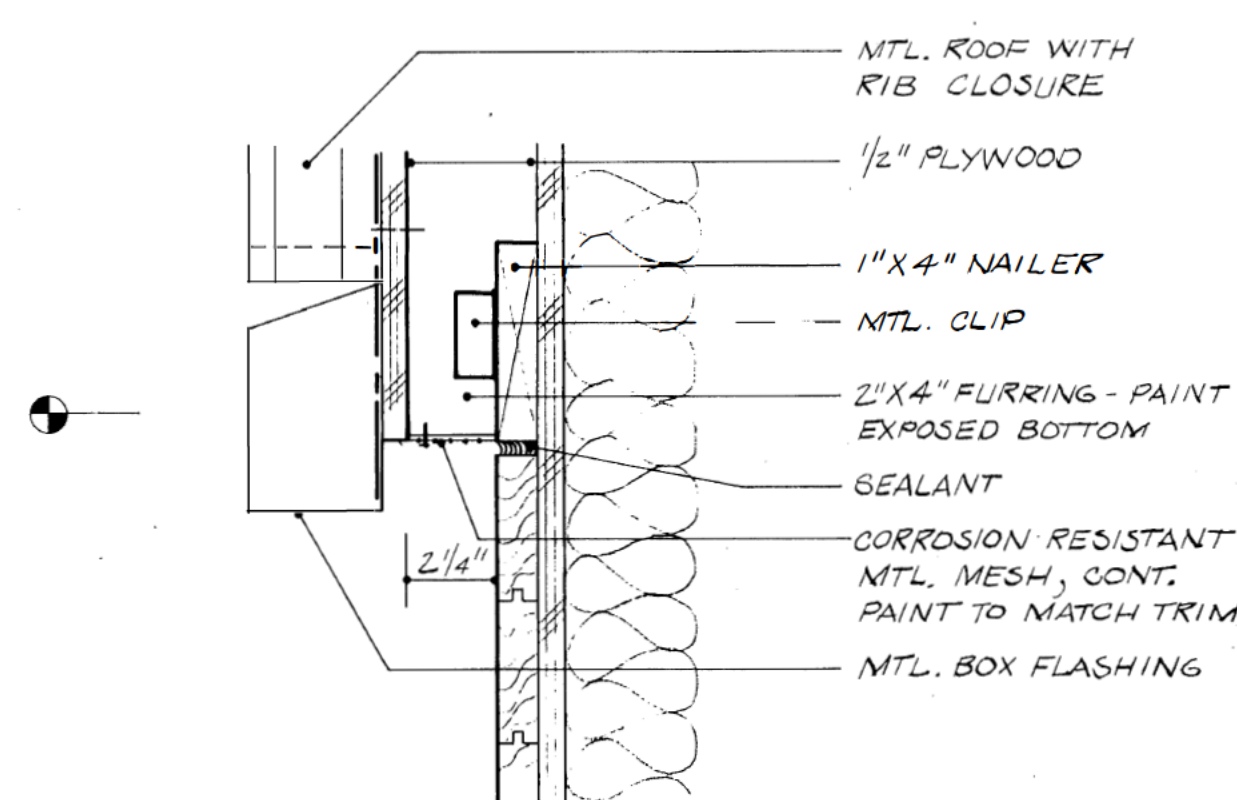
**2 A-4 PITCHBREAK**



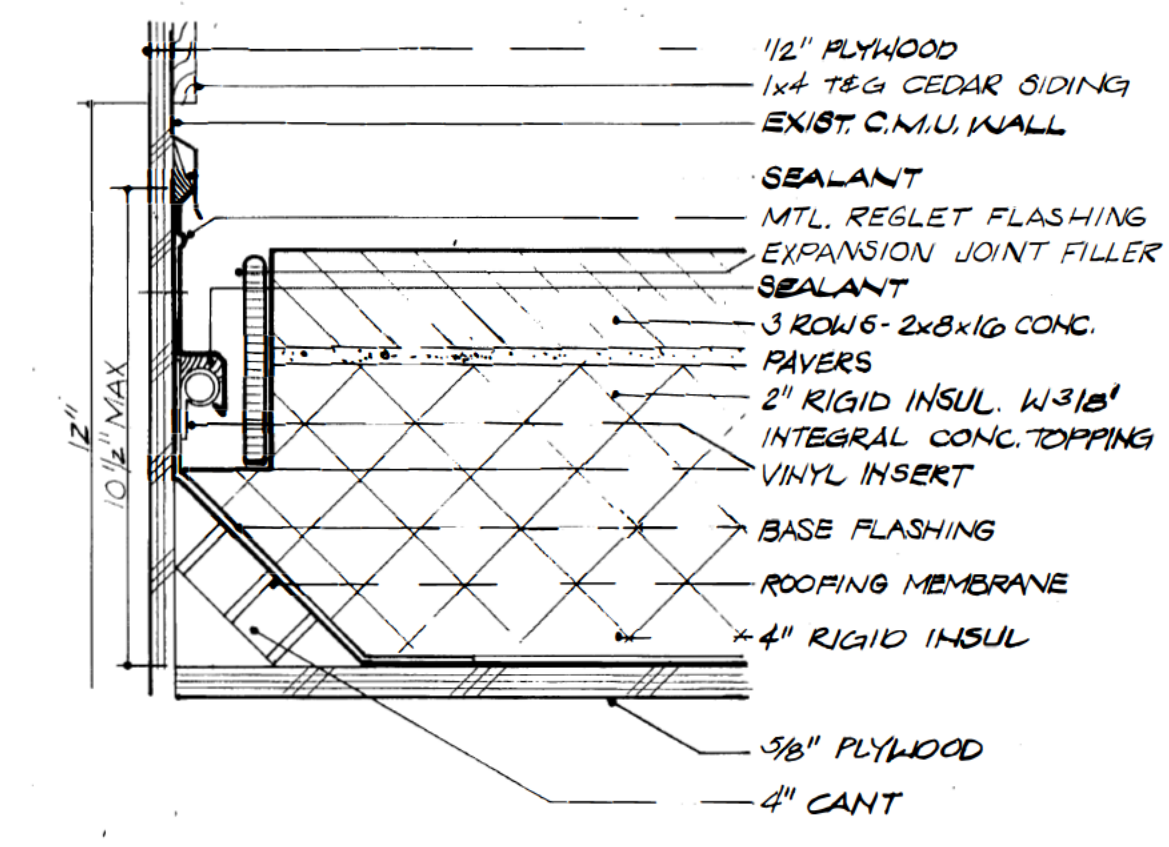
**5 A-4 PARAPET DETAIL**  
N.T.S.



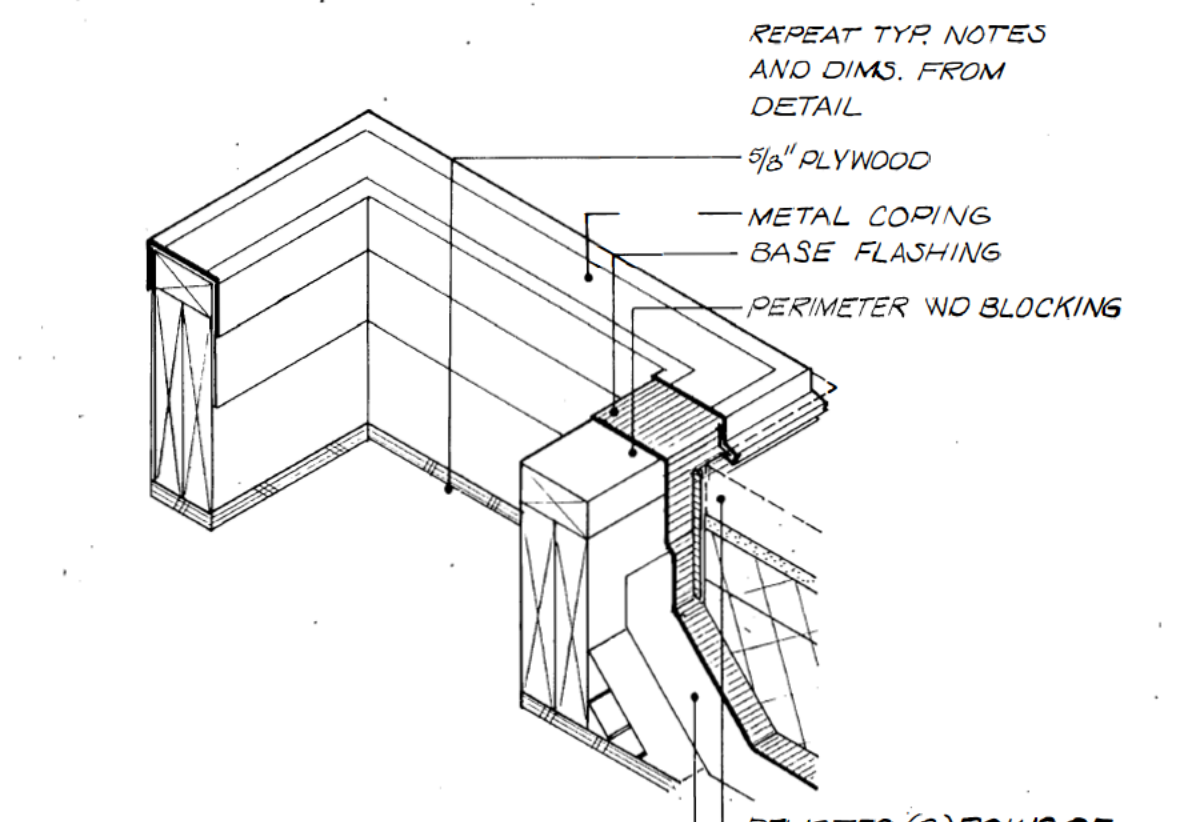
**8 A-4 TYPICAL ROOF PENETRATION**  
N.T.S.



**3 A-4** N.T.S.



**6 A-4**



**9 A-4 TYPICAL CURB**  
N.T.S.

NO.	8402
DATE	6-29-84
SCALE	
DESIGNED	RDF
DRAWN	WM
CHECKED	

**TRA/Farr**  
ARCHITECTURE ENGINEERING PLANNING INTERIORS



PROJECT TITLE	

REVISIONS	
NO. DATE BY DESCRIPTION	

SHEET TITLE	ROOF PLAN PENTHOUSE PLAN ROOF DETAILS
SHEET NO.	A-4
OF SHEETS	
IN THIS CATEGORY	